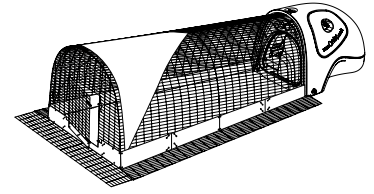




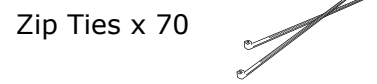
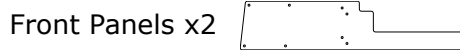
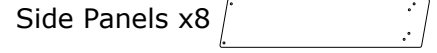
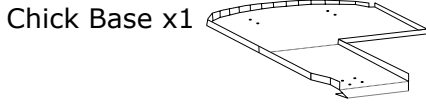
Omlet Limited  
Unit 4 Tuthill Park  
Wardington  
Oxon OX17 1RY

www.omlet.co.uk  
info@omlet.co.uk  
0845 450 20 56

# Small Bird Set Instruction Manual



## What you have received

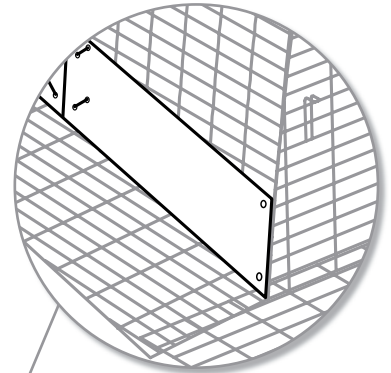
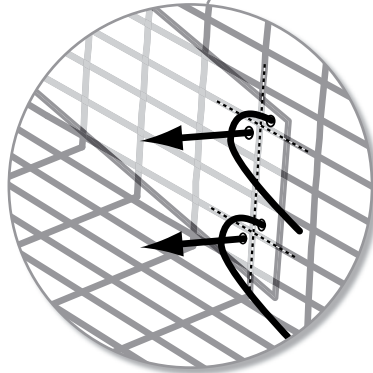
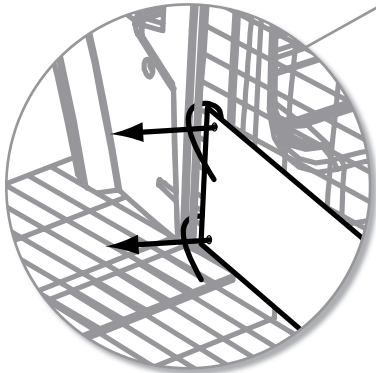
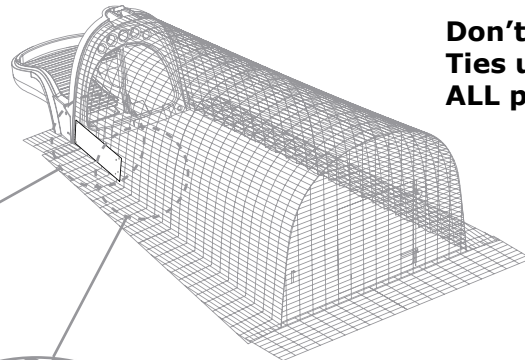


### Step 1 - Remove the Eglu Lid

### Step 2 - Attach Side Panels

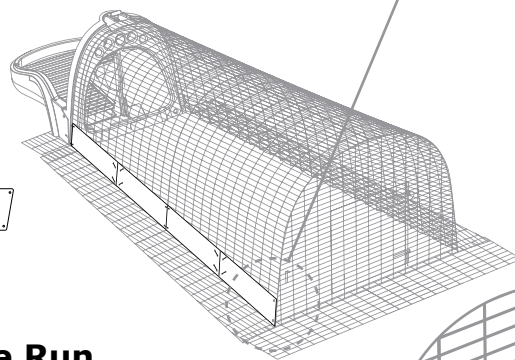
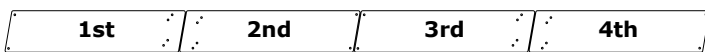
Starting at the eglu end attach four Side Panels to the Run by looping the zip ties through the holes as shown.

**Don't tighten the Zip Ties until you have ALL panels in place.**



### Important!

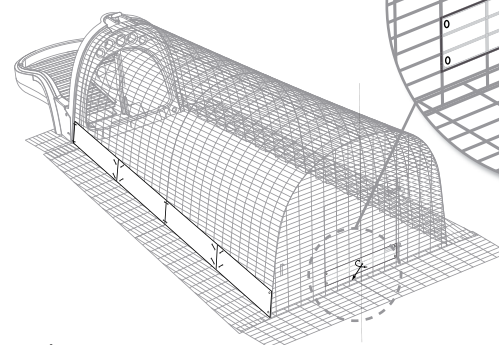
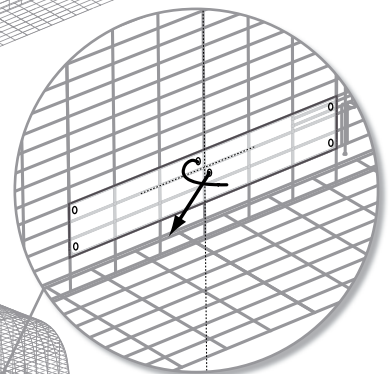
Leave the last two holes on the 4th panel untied for now.



### Step 3 - Repeat on the other side of the Run

### Step 4 - Attach Front Door Panel

Attach the Front Door Panel as shown, making sure you line it up with the centre of the door before tying in place. Apply Zip Ties loosely to the other holes on the same panel before moving on to step 5.

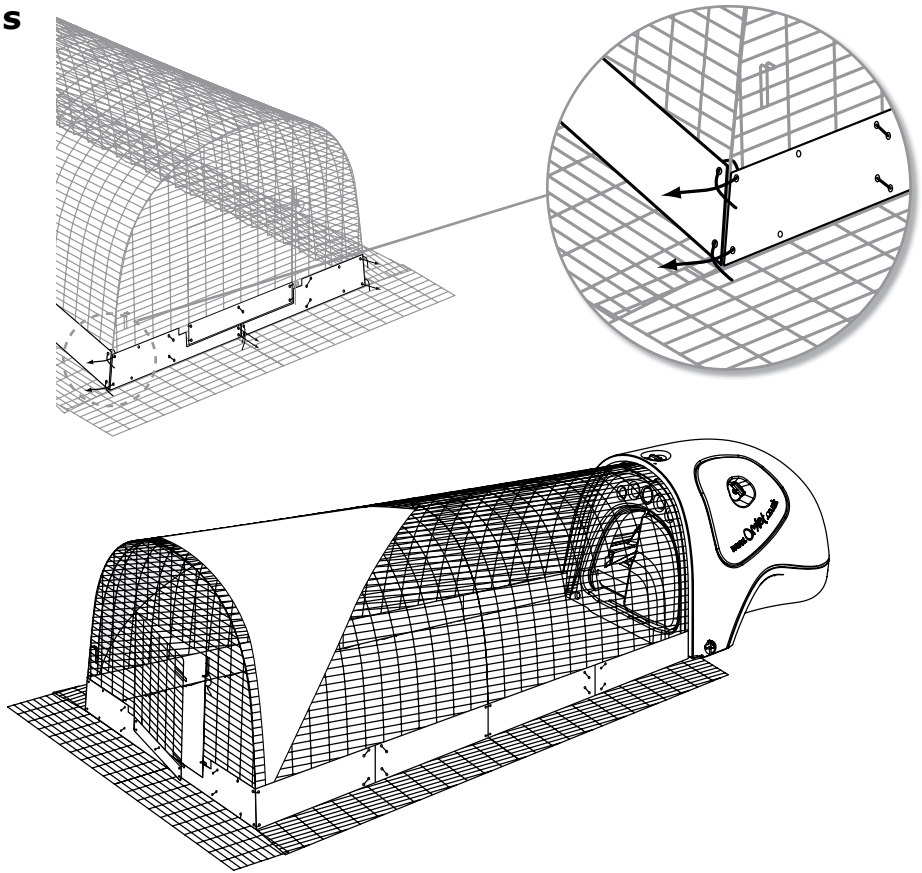


## Step 5 - Attach Front Panels

Attach the centre holes on each Front Panel first then move on to the outer holes making sure to line up the Side Panel with your Front Panels. There will be two spare holes, these are for attaching to a 1 meter run.

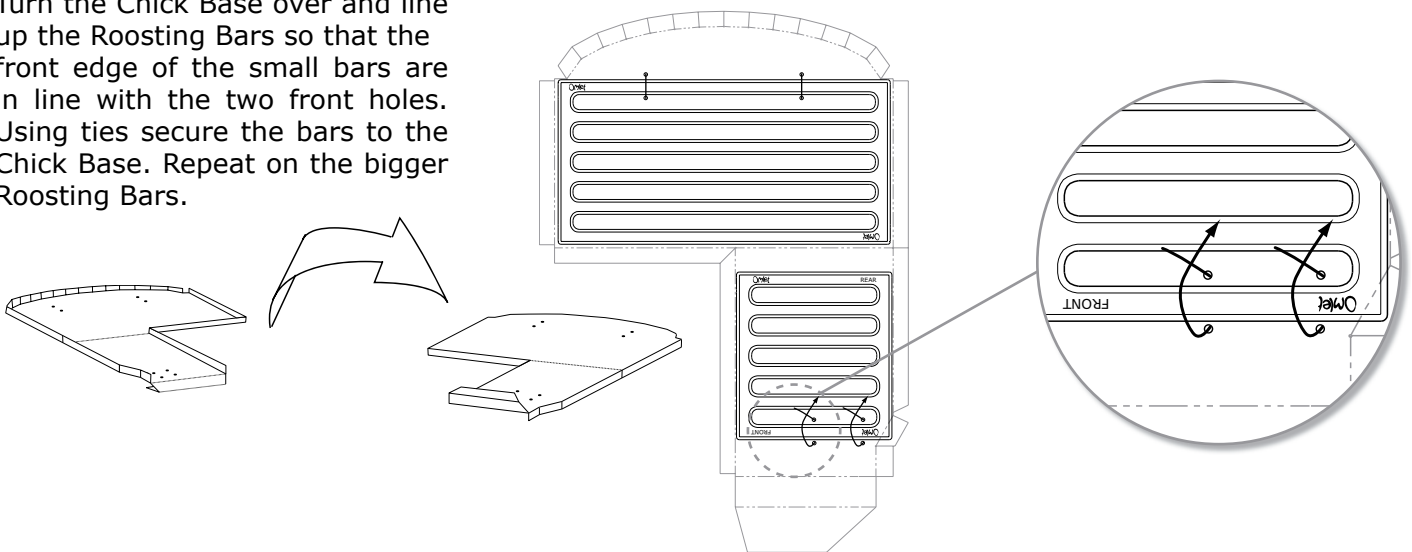
(If you have a 1m run, hold the Front Panels in place and trim the larger end to fit the width of the run with a pair of scissors)

Once all Panels are attached tighten the ties. It should look like this.



## Step 6 - Attaching the Chick Base to the Roosting Bars

Turn the Chick Base over and line up the Roosting Bars so that the front edge of the small bars are in line with the two front holes. Using ties secure the bars to the Chick Base. Repeat on the bigger Roosting Bars.



## Step 8 - Tuck in the front edge

Tuck the front edge of the Chick Base under the Dropping Tray. You will need to pull the Dropping Tray out slightly, but remember to push it back once the Chick Base is in place.

### NOTE:

Replace eglu lid and make sure there is plenty of bedding in the Nesting Box. Your chicks will be able to enjoy the eglu as soon as they are old enough to hop inside. (10 days old).

