

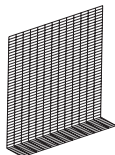
# Eglu Cube Run Extension Instructions

# Omlet

Omlet Limited  
Unit 4 Tuthill Park  
Wardington  
Oxon OX17 1RY

## What you have received:

[www.omlet.co.uk](http://www.omlet.co.uk)  
[info@omlet.co.uk](mailto:info@omlet.co.uk)  
0845 450 20 56



Run Panel Side  
Large x2



Run Panel  
Top x1



Run Frame  
Middle x1



Run Frame  
Leg x2



Fastener  
Pack x1

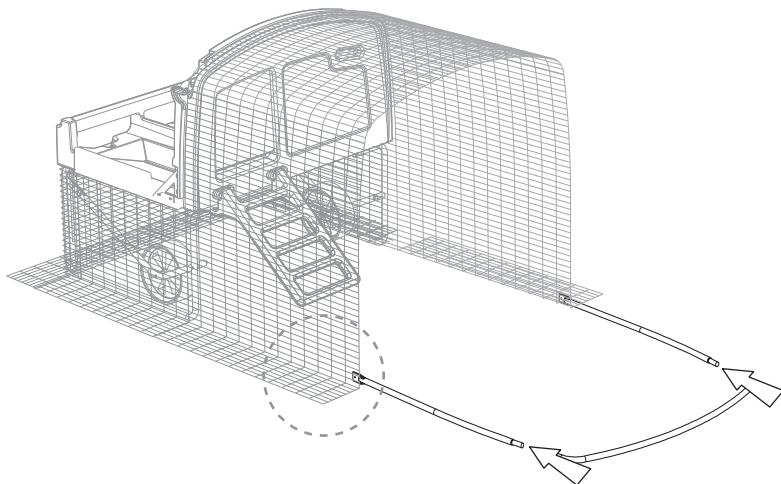
Firstly unclip the end of your fully assembled run.

### Step A - Connect the Run Frame together

Lay the Frame sections on the ground in front of the Eglu Cube. The curved section of the Frame simply slides onto the two side pieces.

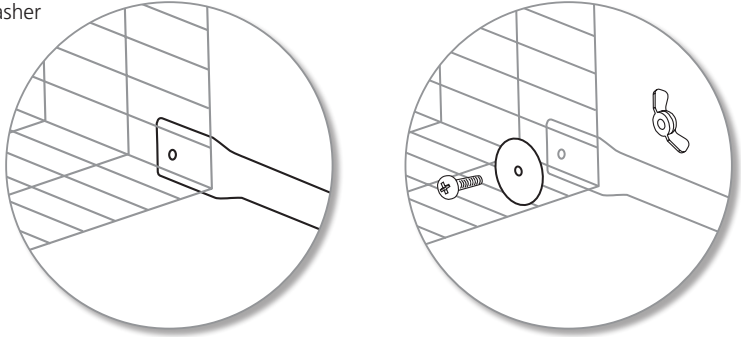
Line up the frame with the run making sure that the flat sides of the tube ends are against the inside of the run.

Also ensure that the hole in the tube is half way along the first rectangle in the mesh.



### Step B - Attach the Frame to the Run

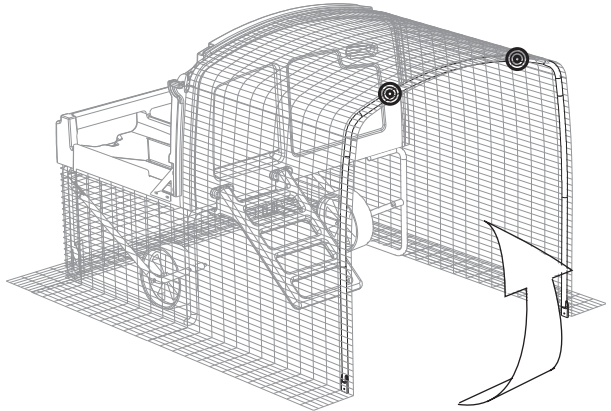
Attach both ends of the frame loosely to the run using the following: Small Bolt, Large Washer and Wingnut.



### Step C - Swing the Frame into position

Swing the Frame into a vertical position. Secure the Frame in place using two zip ties in the positions shown by a ☉

To ensure the frame does not change position ensure the wingnuts are nice and tight.



### Step D - Attach Extension Panels

You can now clip the Large Side Panels and Roof Panel sections of your extension, putting the clips in the positions shown.

Clip the end of your run back on again.

