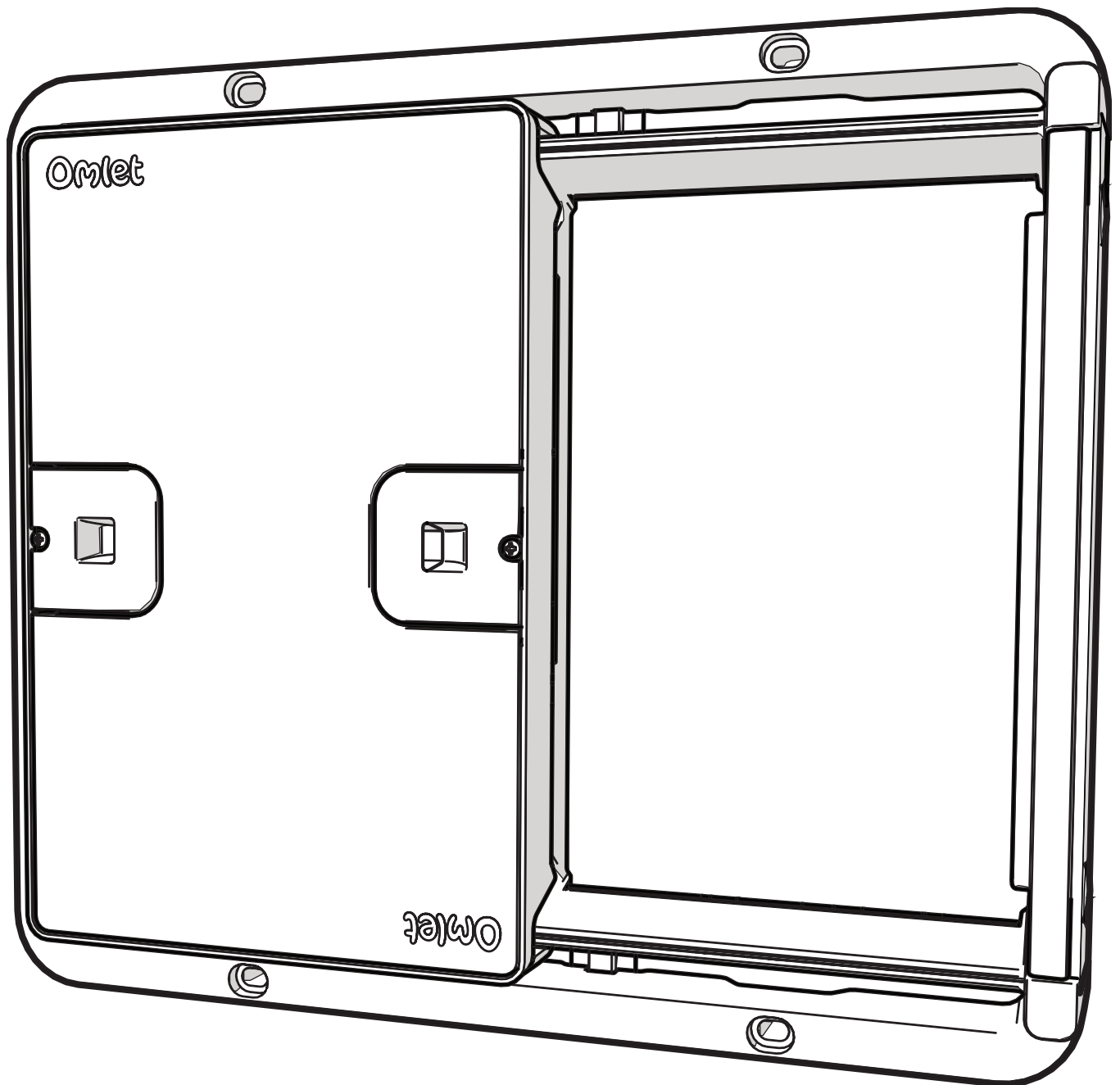


AUTODOOR

Connection to Eglu Cube Mk1



Omllet



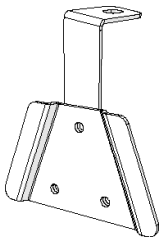
Use this manual for attaching the Autodoor to the Eglu Cube Mk1. Refer to the Autodoor manual first for assembly of the Autodoor.

What you have received



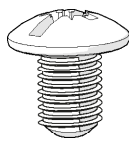
Attachment kits sold separately.

014.0058: Eglu Cube Mk1 House Control Panel Mounting Bracket



X1

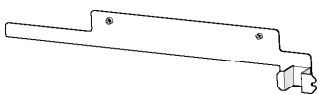
Eglu Cube Mk1
Control Panel Mounting Bracket
014.0057



X1

Machine Screw
M6x10mm
800.0240

014.0068: Eglu Cube Mk1 Mounting Kit



X1

Eglu Cube Mk1
Autodoor Bottom Mounting
Bracket
014.0066



X1

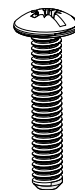
Eglu Cube Mk1
Autodoor Door Infill
014.1192



X1

Eglu Cube Mk1
Autodoor Top Mounting
Bracket
014.1191

014.0069: Eglu Cube Mk1 Autodoor Mounting Bracket



X4

Machine Screw
M6x30mm
800.0247

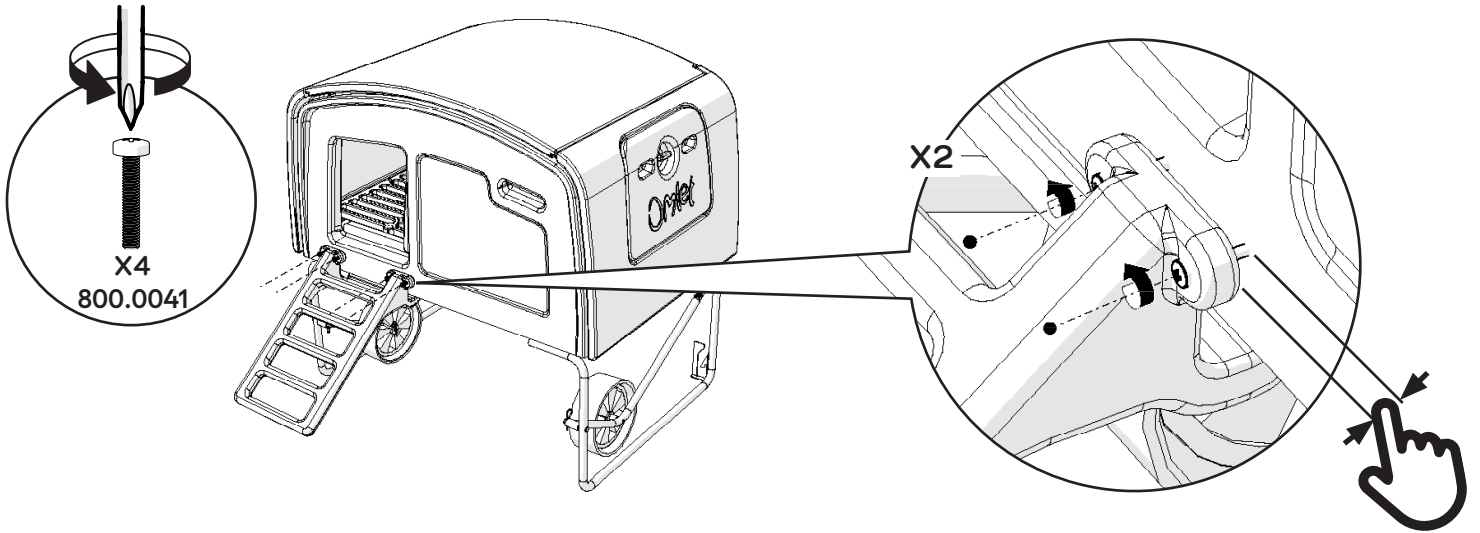
You will need...



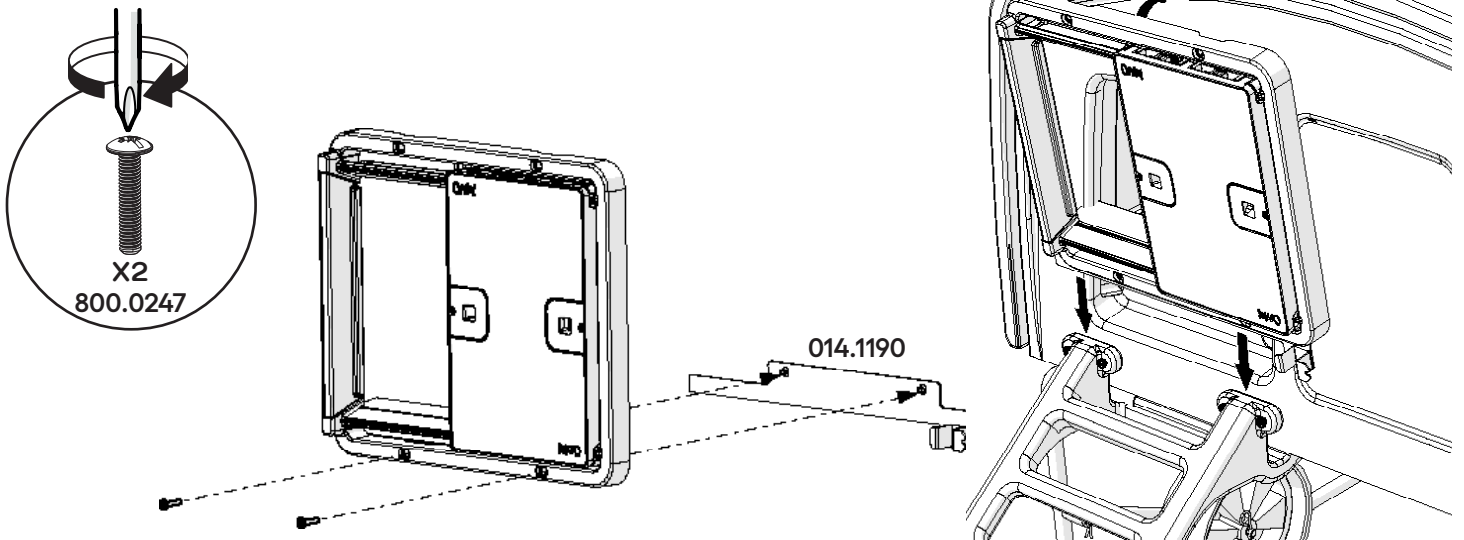
1

Attach the door to the Eglu Cube Mk1

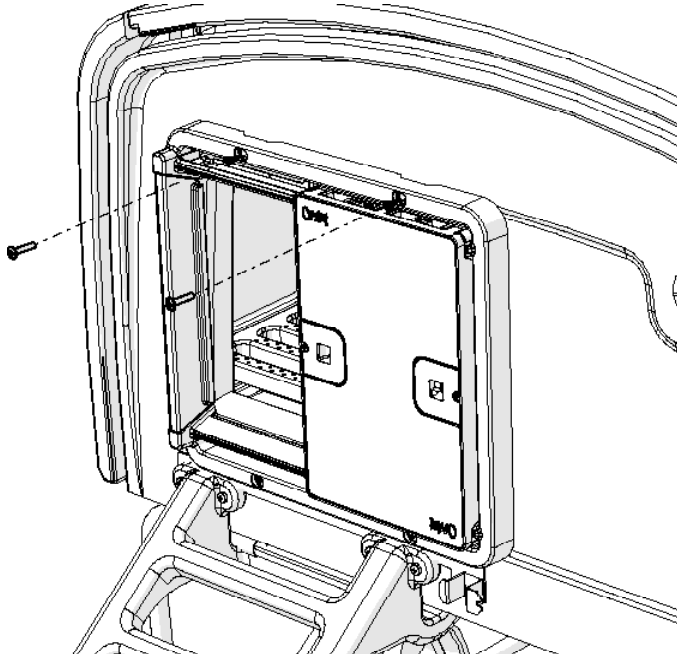
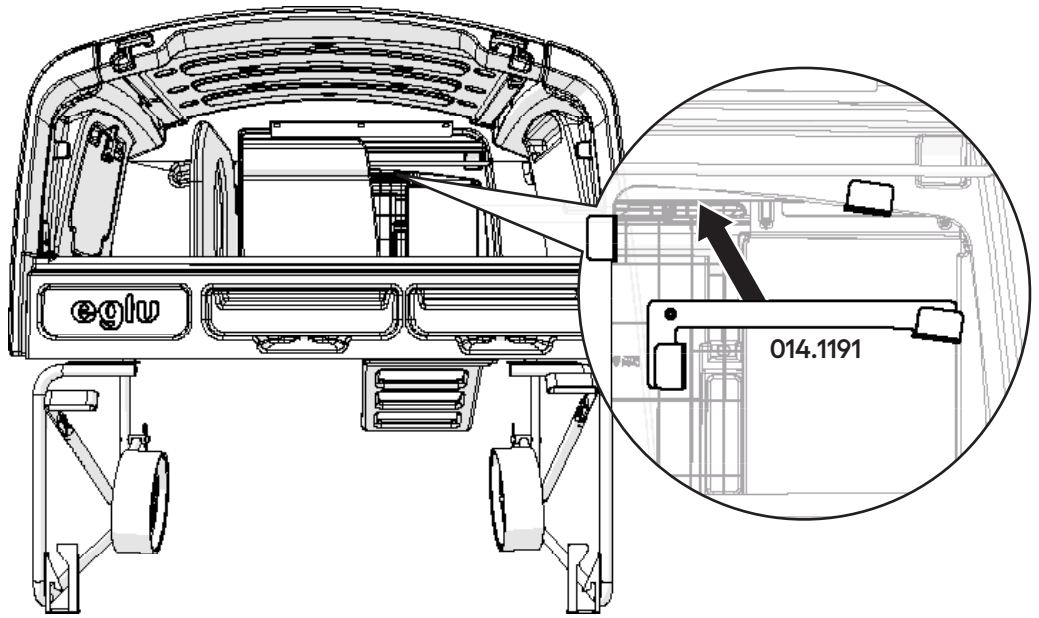
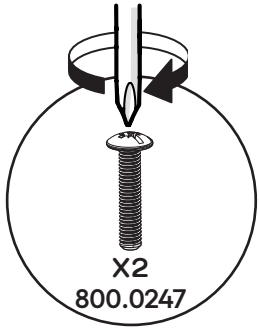
+ 014.0068: Autodoor Cube Mk1 Mounting Kit



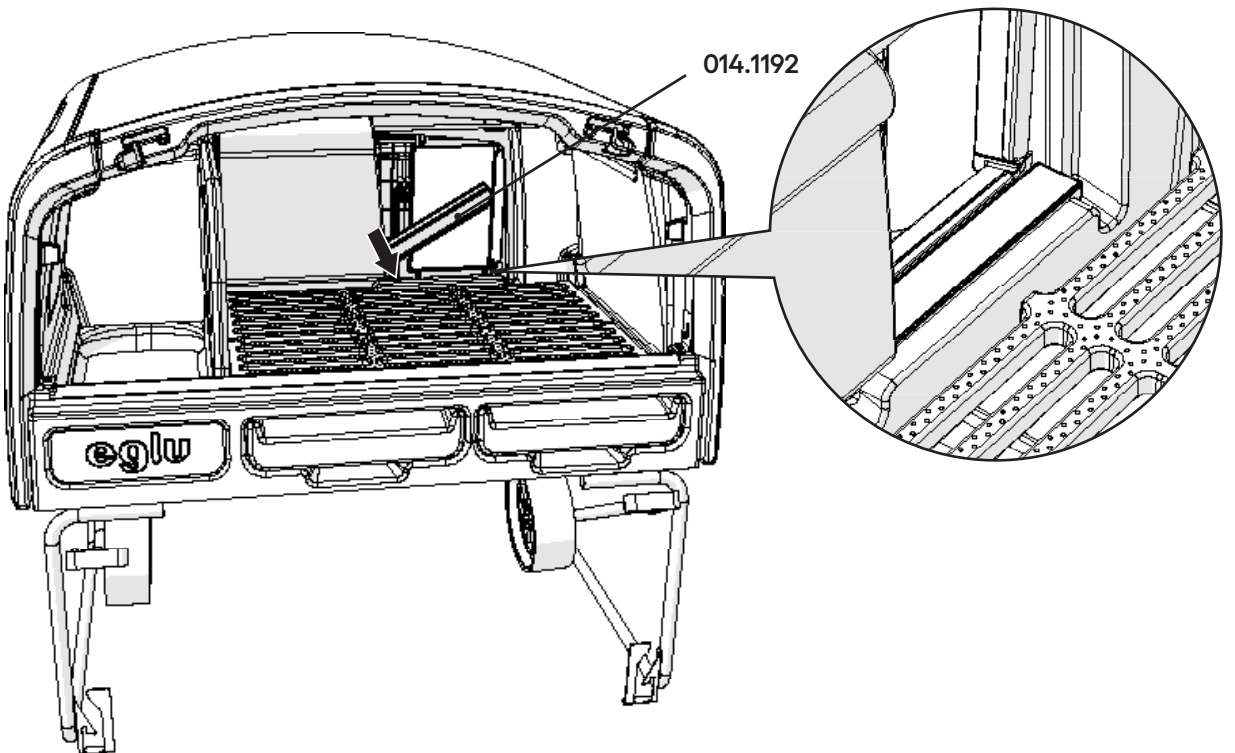
2



3

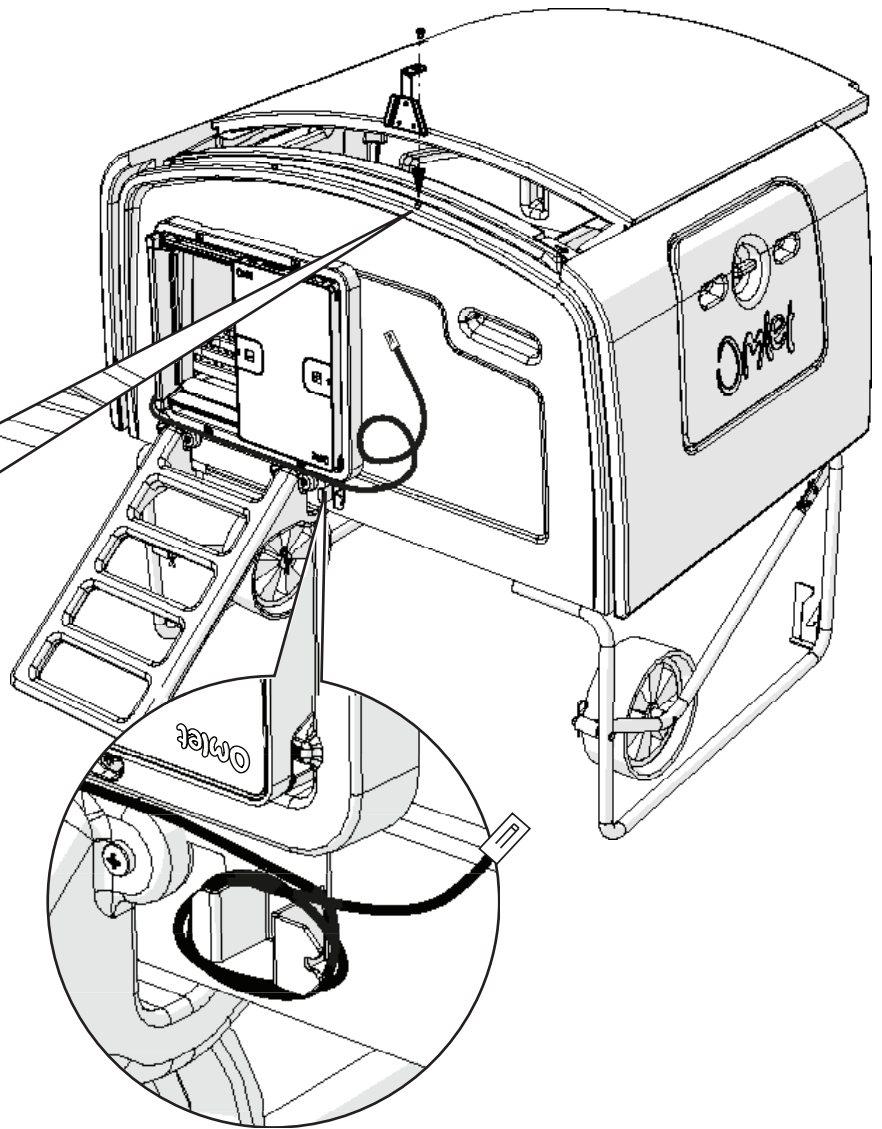
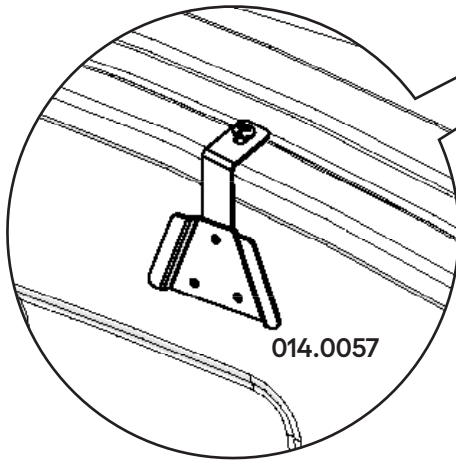
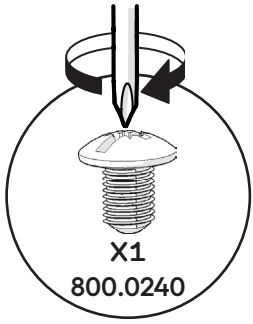


4



5

+ 014.0058: Eglu Cube Mk1 House Control Panel Mounting Bracket



For control panel attachment, refer to the Autodoor Manual.