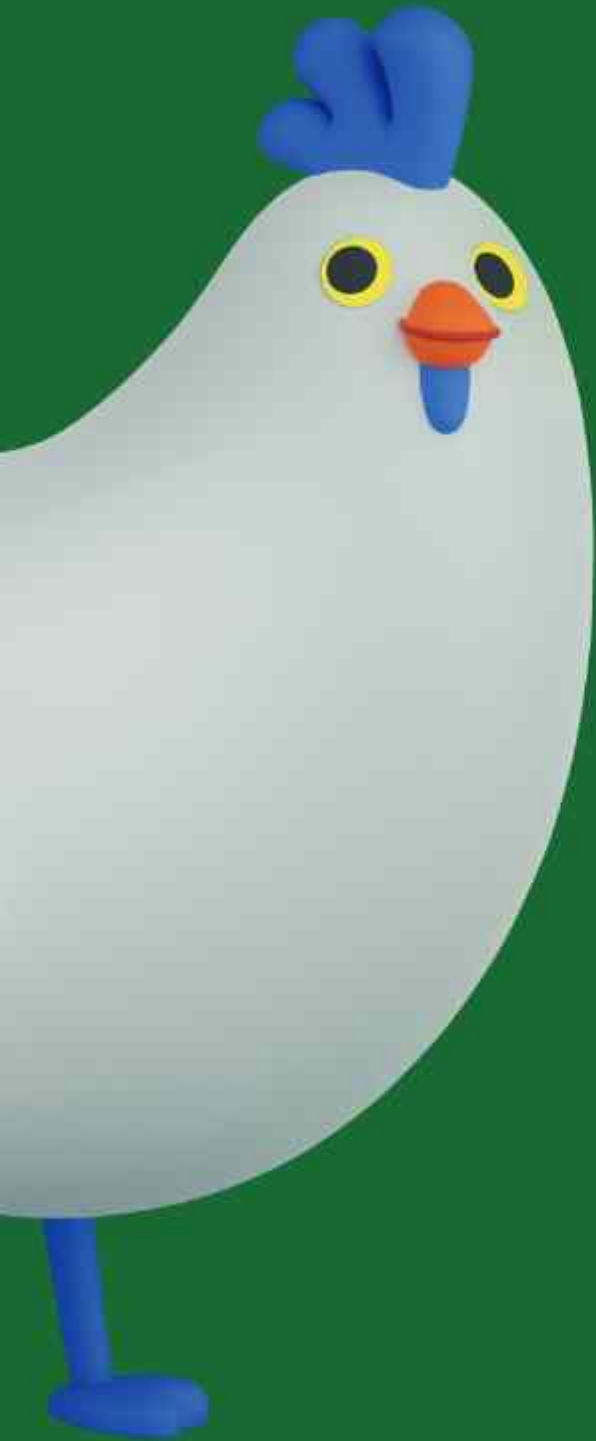


EGLU PRO

House assembly guide



Omlet

IT'S HERE

Ready to get your build on? This is a big coop and it may require a sprinkle of stamina and a pinch of patience. Our advice? Call on your friends, call in pizza and make it a party. The end result will have you and your chickens dancing with delight.

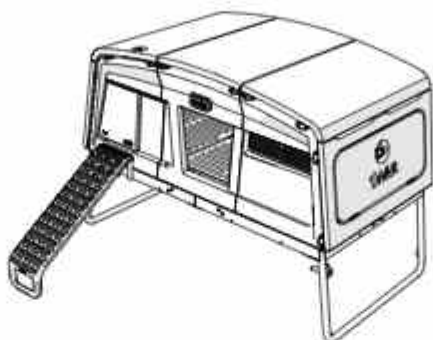


Watch our step by step video to get it right first go.

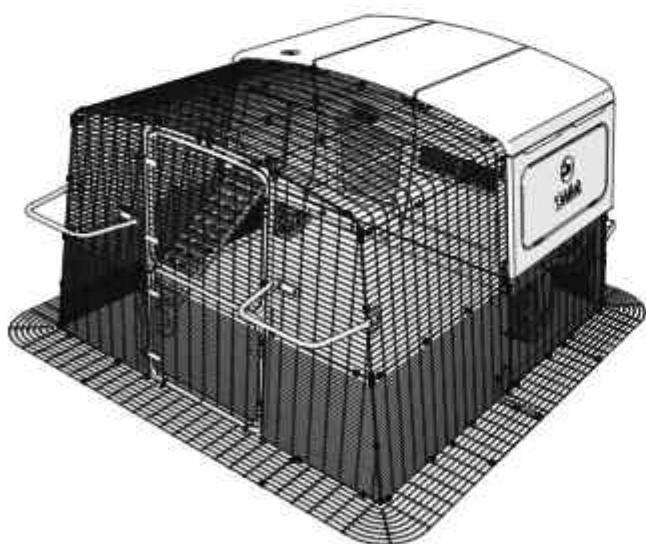


www.omlet.us/how_to_build

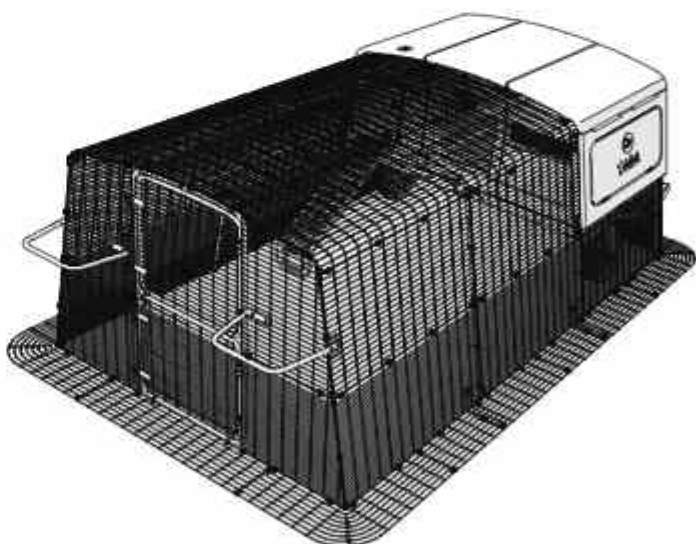




Eglu Pro and Frame
Box: A, B, C, D and E



**Eglu Pro, Frame,
Wheels and 2m Run**
Box: A, B, C, D, E, F, G, H and K



**Eglu Pro, Frame,
Wheels and 3m Run**
Box: A, B, C, D, E, F, G, H, J and K

**Important Information! Please read before use**

Do regularly maintain products. Some components are made from metal and the coating may need maintenance over time. We recommend regularly rinsing with potable water, especially if you live in an area that is coastal. If rust spots do develop, repair the area. If unsure how to do this, seek professional advice.

Helpful Hints: This assembly has a lot of steps which might involve bending, kneeling and lying down, make sure you're comfortable before starting by using padding or knee protection. Lying out a blanket or large piece of card where you're working can help to catch any dropped screws, they're difficult to find in grass!

What you have received

114.0100 Eglu Pro Box A Frame



X1

Frame Side Left
114.0026



X1

Frame Side Right
114.0027



X1

Frame Front Brace Right
114.0028



X1

Frame Front Brace Left
114.1079



X1

Frame Rear Brace Right
114.1082



X1

Frame Rear Brace Left
114.1083



X2

Cross Brace A
114.1084



X2

Cross Brace B
114.1085

114.0114 Eglu Pro Fasteners Pack



X53

M6 Flange
Lock Nut Black
800.0492



X2

M6 x 5mm
Barrel Nut
800.0423



X8

M6 Flange
Locking Cap Nut
800.0425



X36

M6 x 16mm
Bolt Black
800.0435



X8

Self Tapping Screw
4x12mm
800.0463



X124

M6 x 8mm Bolt
800.0487



X1

Interchangeable
Screwdriver
810.0149



X1

Hex Head 4mm
810.0293



X1

Socket Head 10mm
810.0295



X1

Phillips PH2 Head
810.0298



X2

Bent Double Ended
Spanner 10mm
810.0114



X2

Allen Key 4mm
Ball End
810.0117

114.0101 Eglu Pro Box B House



X1

Back Panel Left
114.0036



X1

Back Panel Right
114.0037



X1

Back Panel Middle
114.0038



X1

Front Panel Right
114.0041



X1

Front Panel Middle
114.0042



X1

Front Panel Left
114.0043

114.0133 Eglu Pro Packed Water Run-Offs



X1

Water Run Off Front Left
114.1045



X1

Water Run Off Back Bar
Right
114.1052



X1

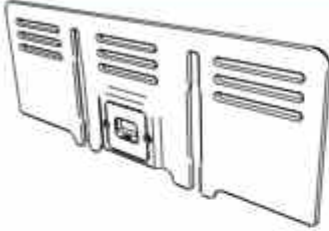
Water Run Off Back Bar Left
114.1053



X1

Water Run Off Back Bar
Middle
114.1054

114.0102 Eglu Pro Box C House



X1

Partition Door
114.0009



X2

Gutter
114.0015



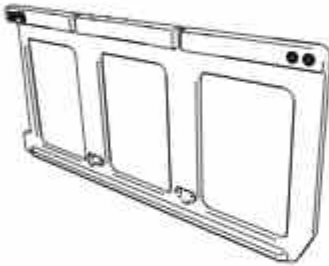
X1

Left Panel
114.0068



X1

Right Panel
114.0069



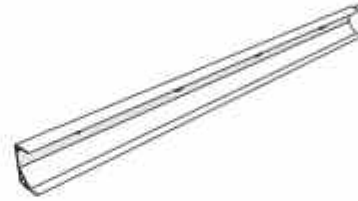
X1

Partition Panel
114.1013



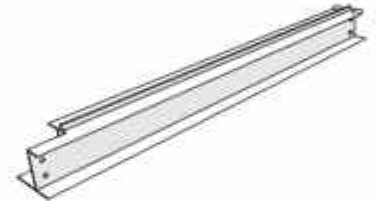
X2

Partition Divider
114.1033



X1

Aluminium Tray
Runner Right
114.1130



X1

Aluminium Tray
Runner Left
114.1132



X1

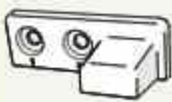
Aluminium Tray
Runner Middle
114.1134



X1

Ladder
114.1245

114.0117 Eglu Pro Plastics Pack



X1

Roosting Rack
Locating Block
064.1143



X2

Frame
Alignment Plug
064.1163



X2

Gutter End
Cap
114.1017



X1

Water Run Off
Bridge Right
114.1118



X1

Water Run Off
Bridge Left
114.1119



X1

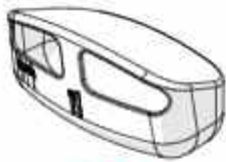
Partition
Locator
114.1139



X3

Droppings Trap
Locking Clip
810.1043

114.0103 Eglu Pro Box D House



X1

Feeder
064.1040.0001



X1

Drinker
064.1041.0001



X1

Roof Panel Right Assembly
114.0060



X1

Roof Panel Middle Assembly
114.0061



X1

Roof Panel Left Assembly
114.0062



X1

Nesting Tray
114.1011



X4

Feeder Drinker Hook
810.0183



X4

M6x10mm Bolt
800.0240



X1

Egg Box 4+4 5pk
820.0023

114.0118 Eglu Pro Metal Brackets Pack



X3

Droppings Tray Clip
Cover Bracket
064.1162



X1

Rear Roof
Support Bracket
Right
114.0063



X1

Rear Roof
Support Bracket
Left
114.0064



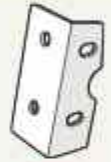
X1

Ladder Bracket
114.0072



X1

Partition Door
Latch Bracket
114.1035



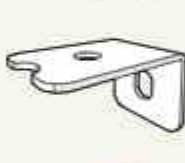
X1

Bracket Side Panel
to Back Bar
Bottom Right
114.1040



X1

Bracket Side Panel
to Back Bar
Bottom Left
114.1041



X2

Front Middle
Roof Bracket
114.1051



X1

Bracket Side Panel
to Back Bar Right
114.1086



X1

Bracket Side Panel
to Back Bar Left
114.1087



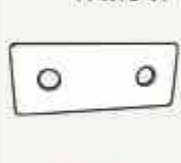
X4

Bracket Side
Panel to Roof
114.1095



X2

Bracket Side
Panel to
Front Face
114.1096



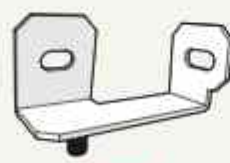
X4

Bracket
Front Split
114.1099



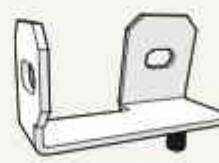
X4

Bracket Side
Panel to Frame
114.1100



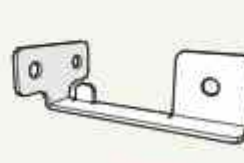
X1

Bracket Front and Side
Panel to Frame Left
114.1101



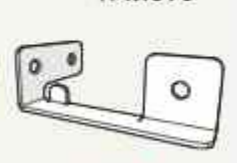
X1

Bracket Front and Side
Panel to Frame Right
114.1102



X1

Bracket Nesting
Box Partition Back
114.1116



X1

Bracket Nesting
Box Partition
Front
114.1117



X1

Bracket Tray
Runner to Front Left
114.1125



X1

Bracket Tray Runner
to Front Middle
114.1127



X1

Bracket Tray Runner
to Back Bar Middle
114.1126



X1

Bracket Tray Runner
to Back Bar Left
114.1128

114.0104 Eglu Pro Box E House



X2

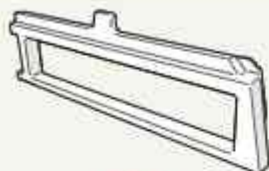
Droppings Tray
114.1012



X2

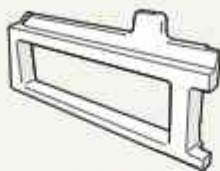
Roosting Rack
114.1014

114.0132 Eglu Pro Packed Back Bar



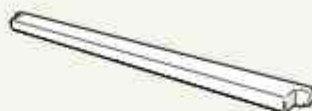
X1

Back Bar Right
114.1008



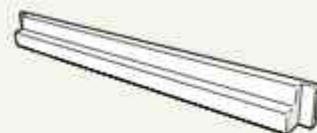
X1

Back Bar Left
114.1009



X1

Back Bar Middle Top
114.1121



X1

Back Bar Middle Bottom
114.1122

114.0105 Eglu Pro Box F Wheels



X1

Wheel Arm Left
114.0047



X1

Wheel Arm Right
114.0048



X1

Wheel Arm Pedal
Left
114.0049



X1

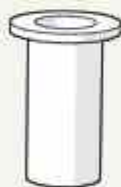
Wheel Arm Pedal
Right
114.0050



X2

Wheel
114.1171

114.0129 Fixings Pack Eglu Pro Wheels



X4

Wheel Arm
Collar Bearing
114.1162



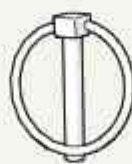
X2

Wheel Arm
Axle Spacer
114.1165



X4

Pozi Hex Bolt
M6x45mm
800.0409



X4

Lynch Pin
4.5x32mm
800.0520



X4

M6 Flange
Lock Nut Black
800.0492

You will need...

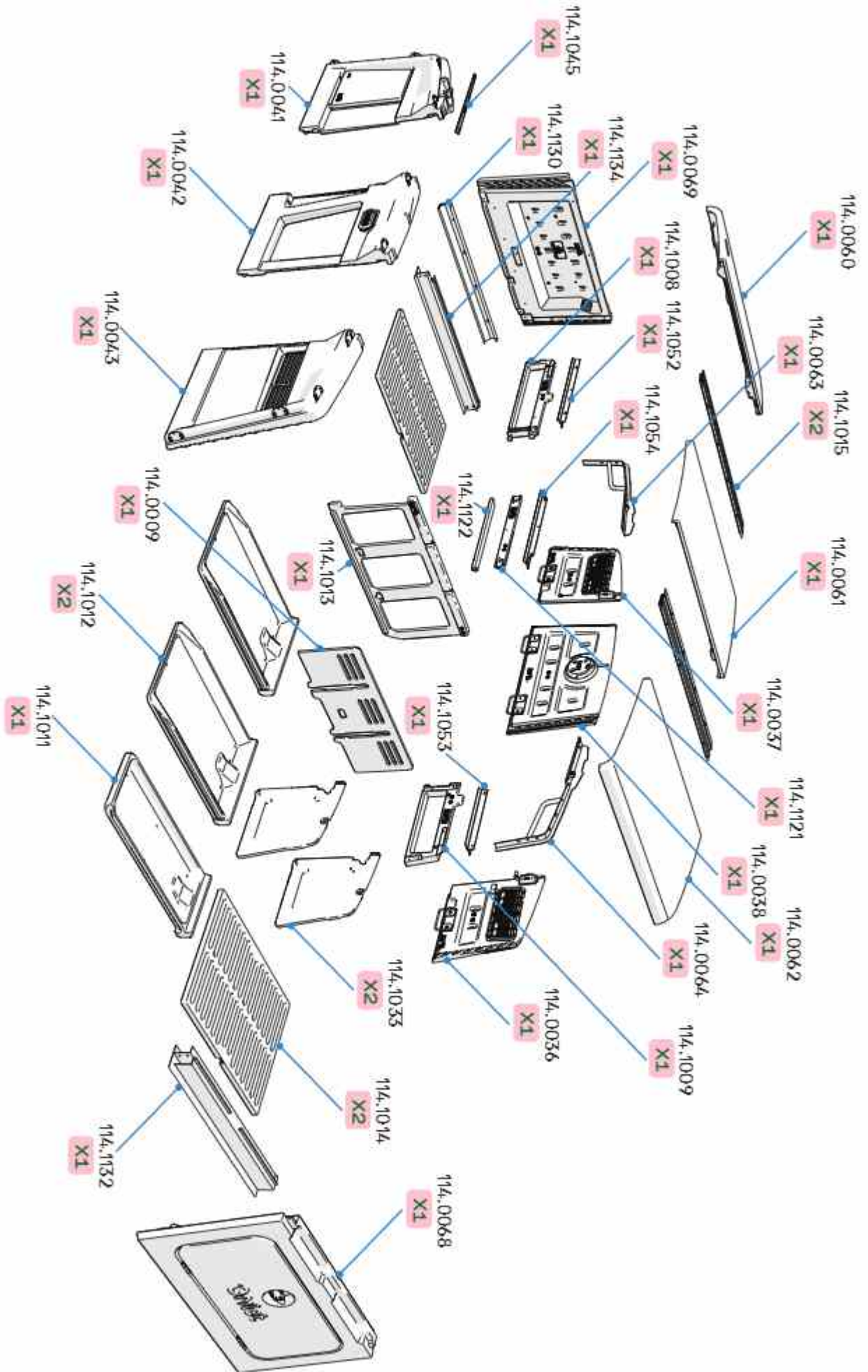
DE Das brauchen Sie... · FR Vous aurez besoin de... · NL Wat u nodig heeft... · IT Avrai bisogno... · ES Necesitará...
SE Dubehöver... · DK Du skal bruge... · NO Du vil trenge... · PL Czego potrzebujesz...



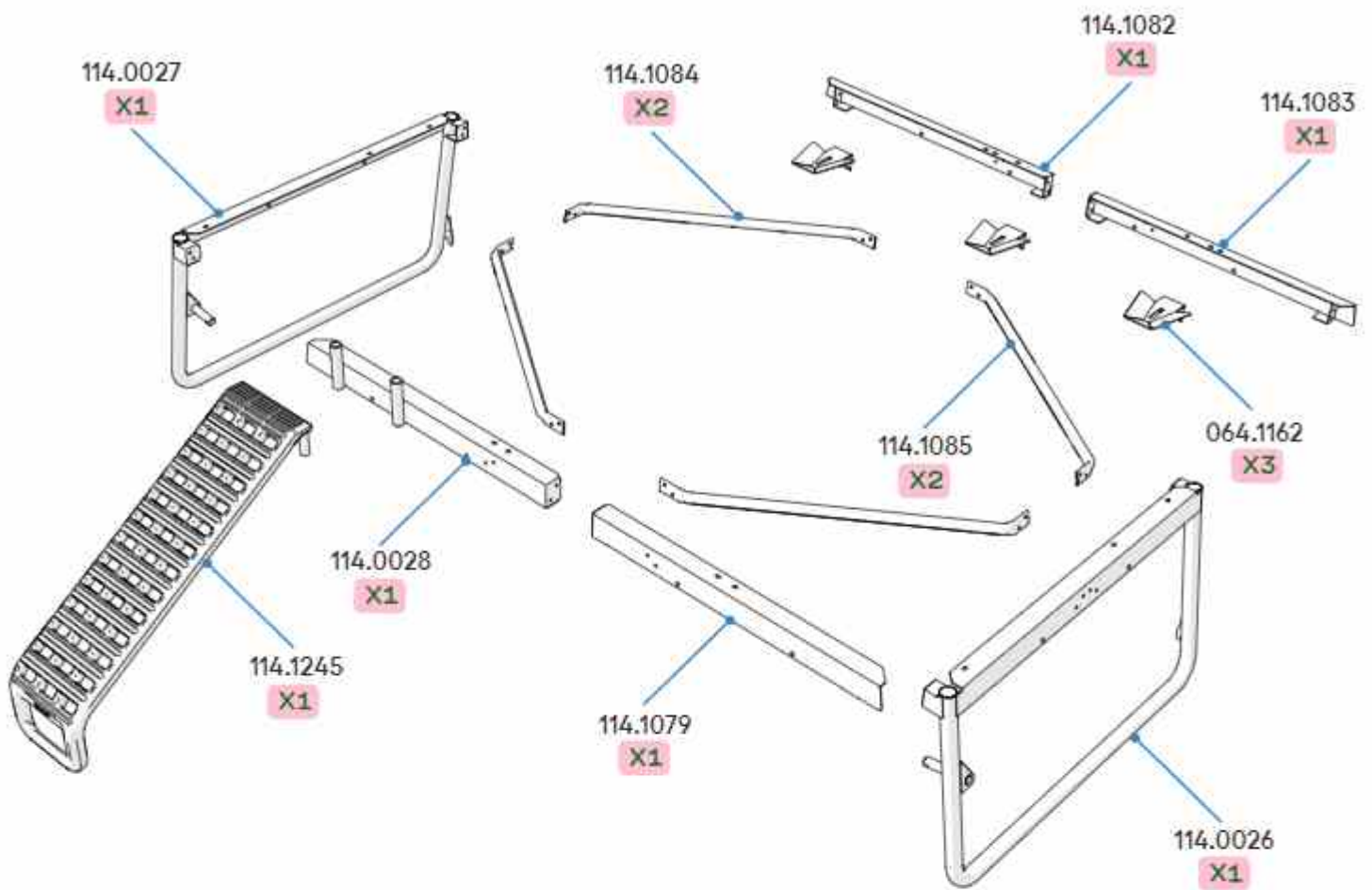
· EN Requires multiple people to build



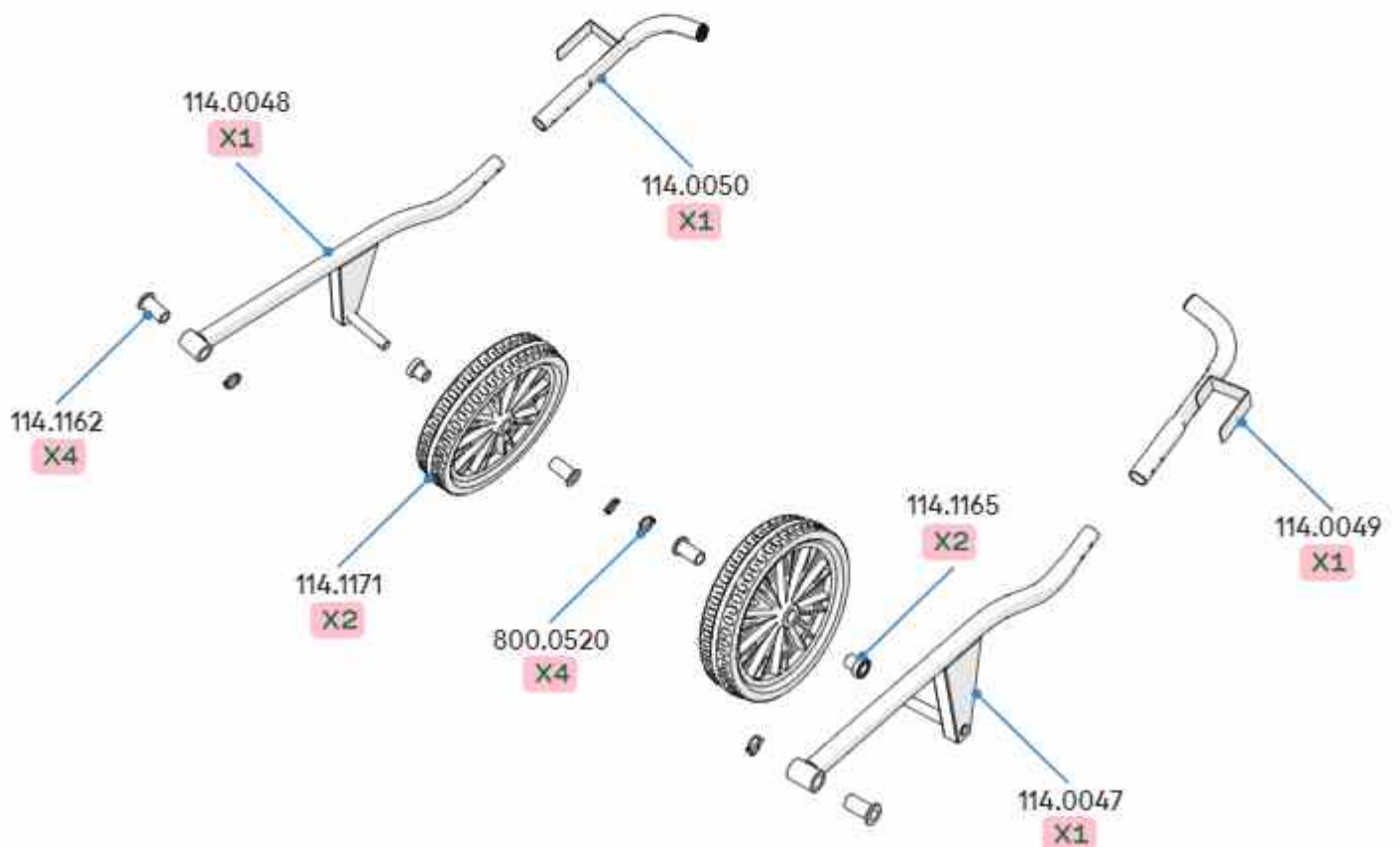
Our Build Party
playlist on Spotify



Frame Exploded Assembly



Wheels Exploded Assembly



ICONS

We've provided this page and a separate sheet so you can keep it handy and refer to it throughout the build.





Night time



Day time

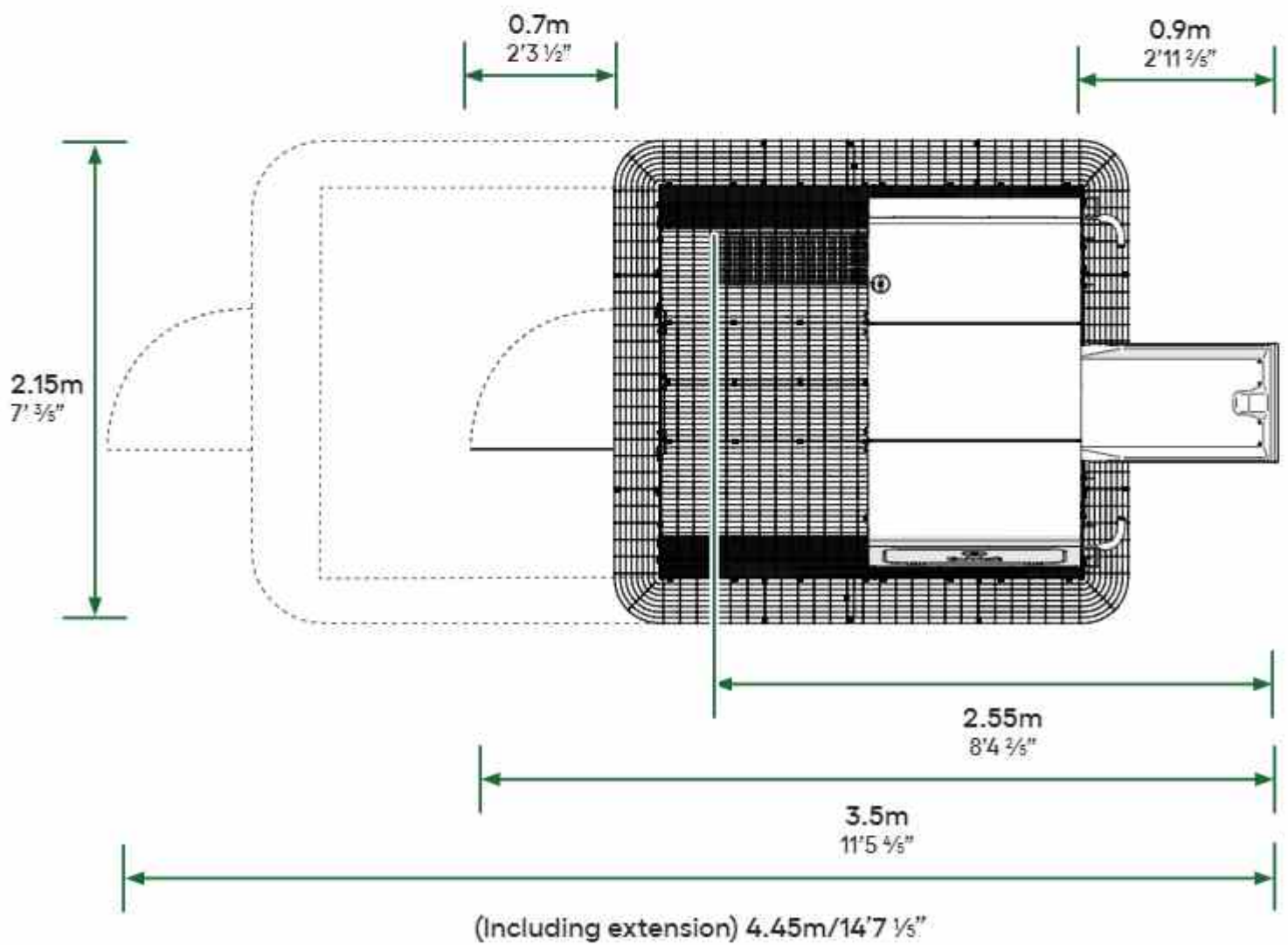
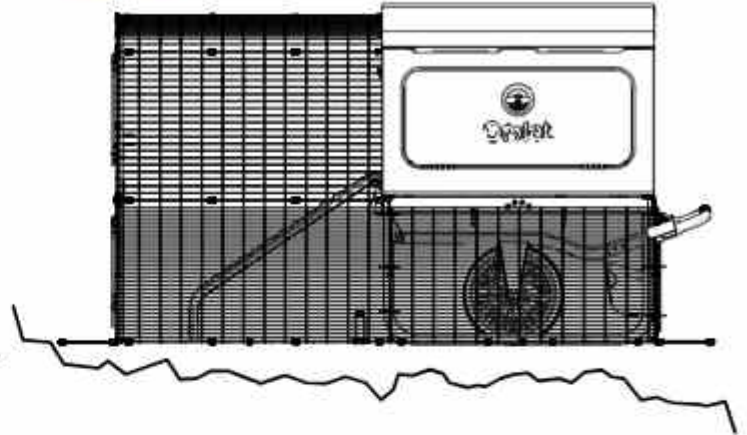
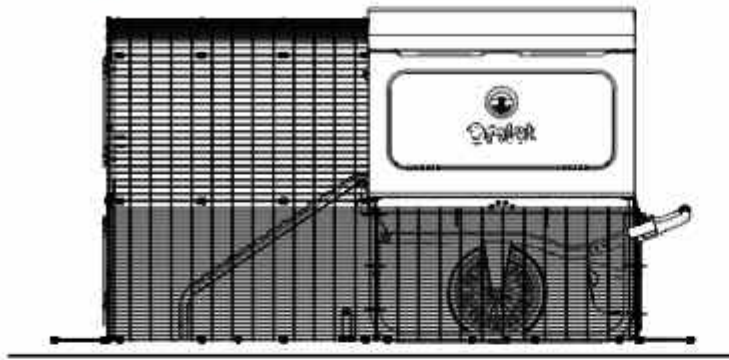


Warning



Calendar days

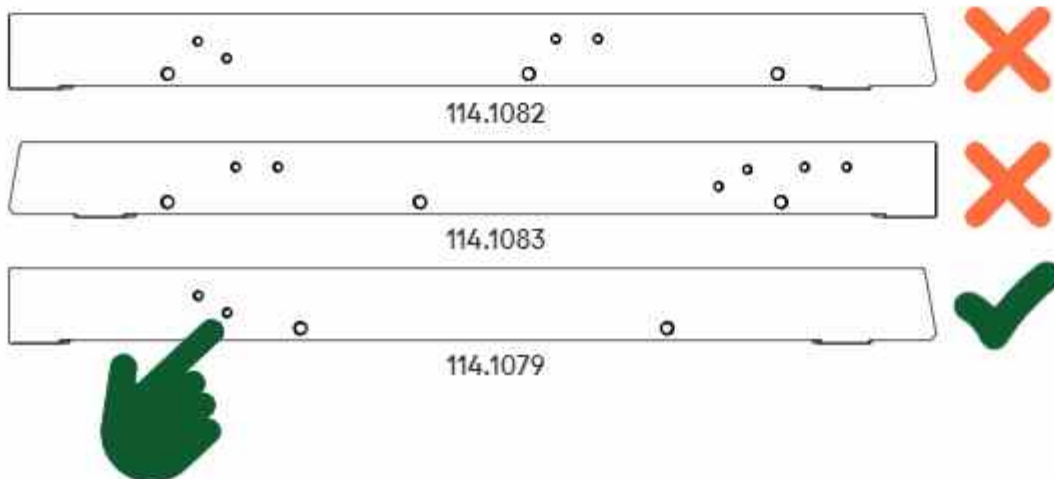
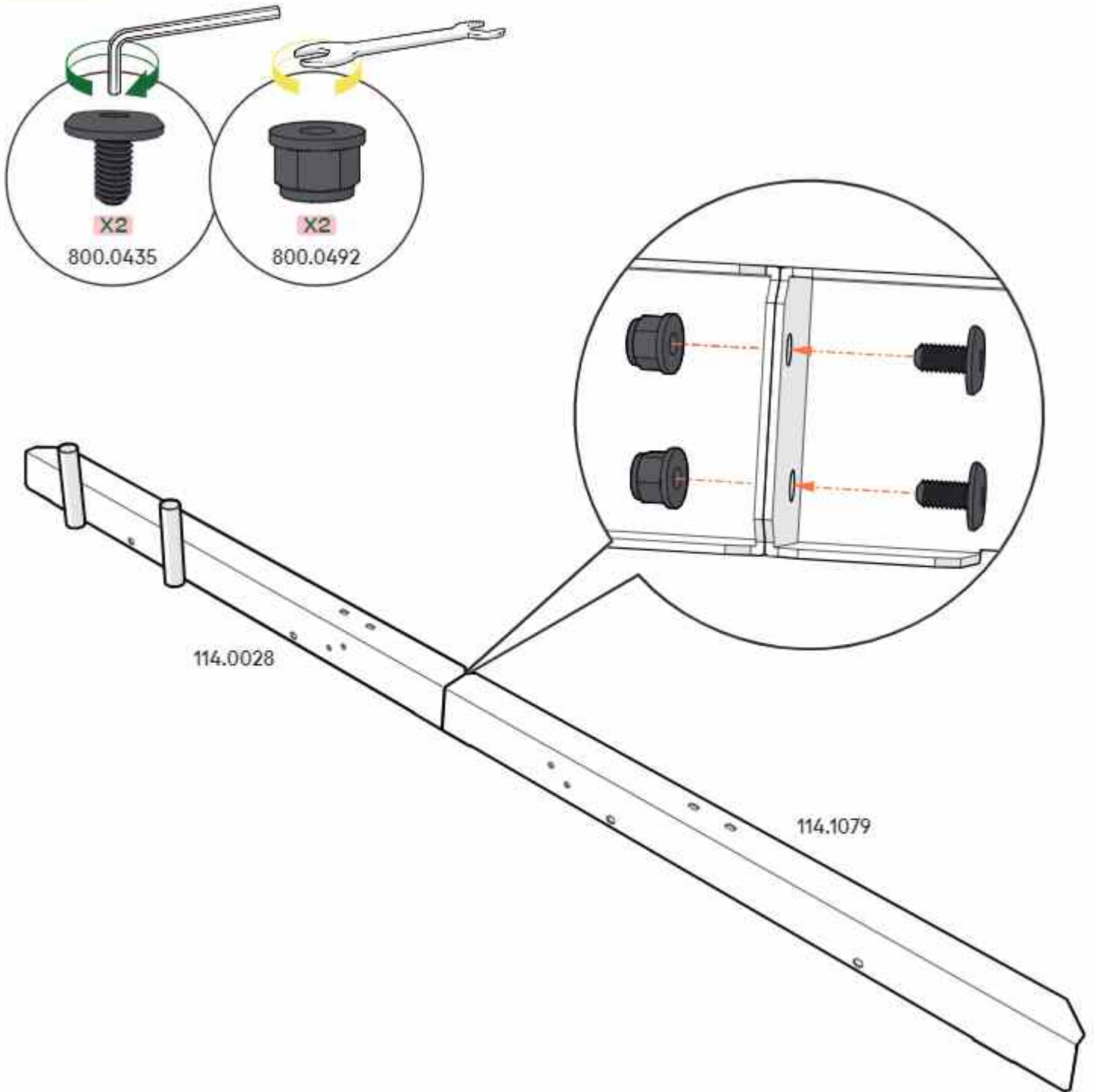
Assembling your Eglu Pro



1

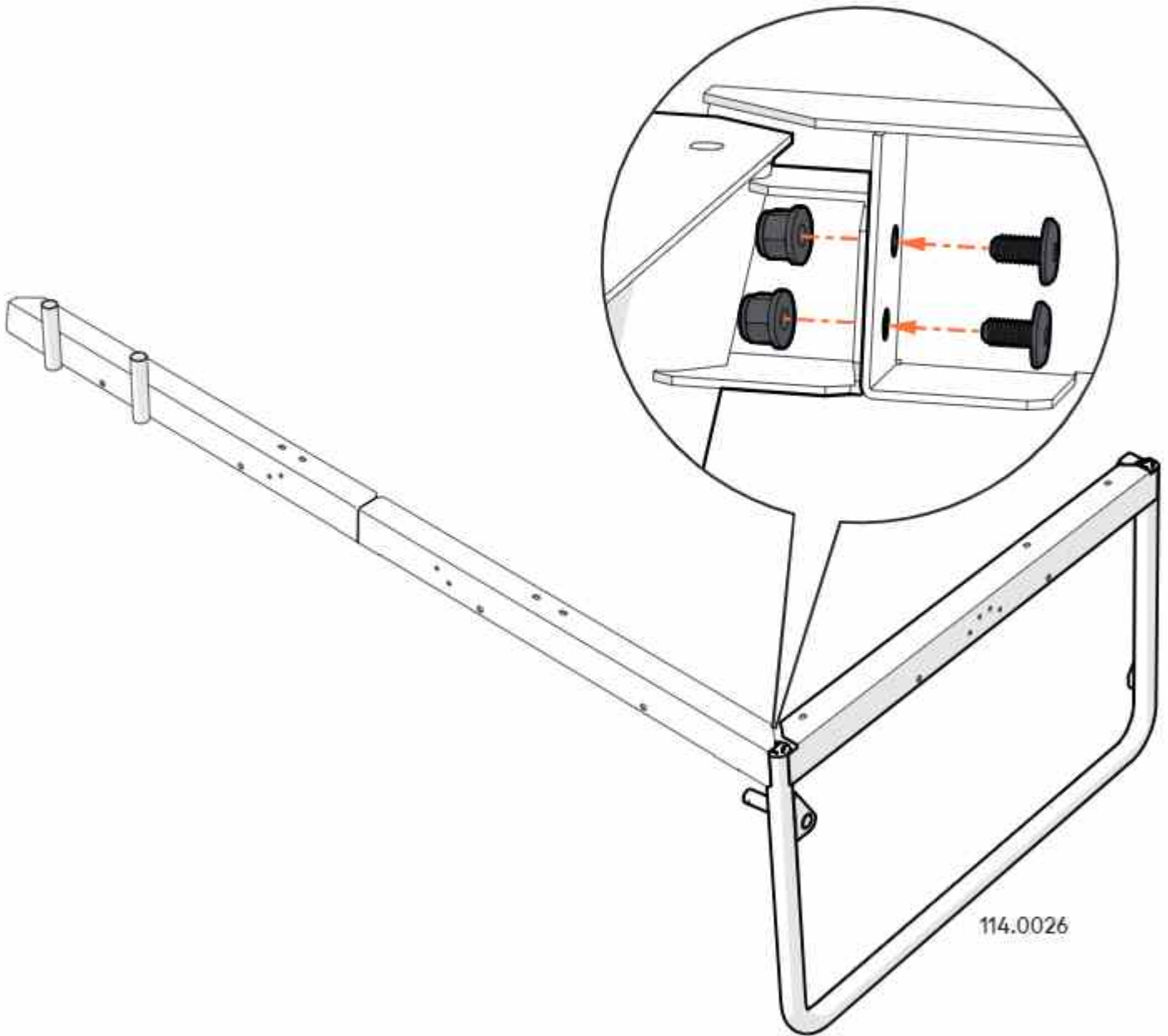
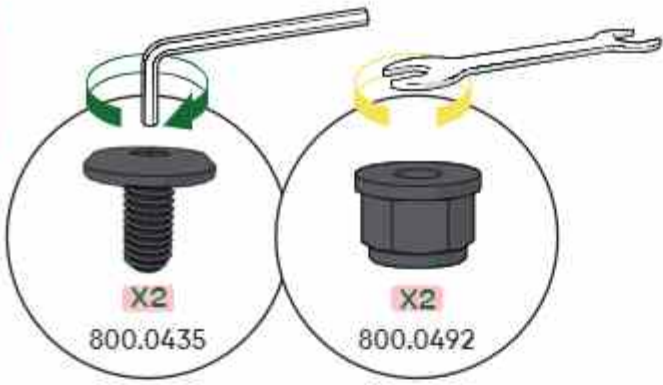
You can also use the screw driver with the different heads instead of the allen key

Box A



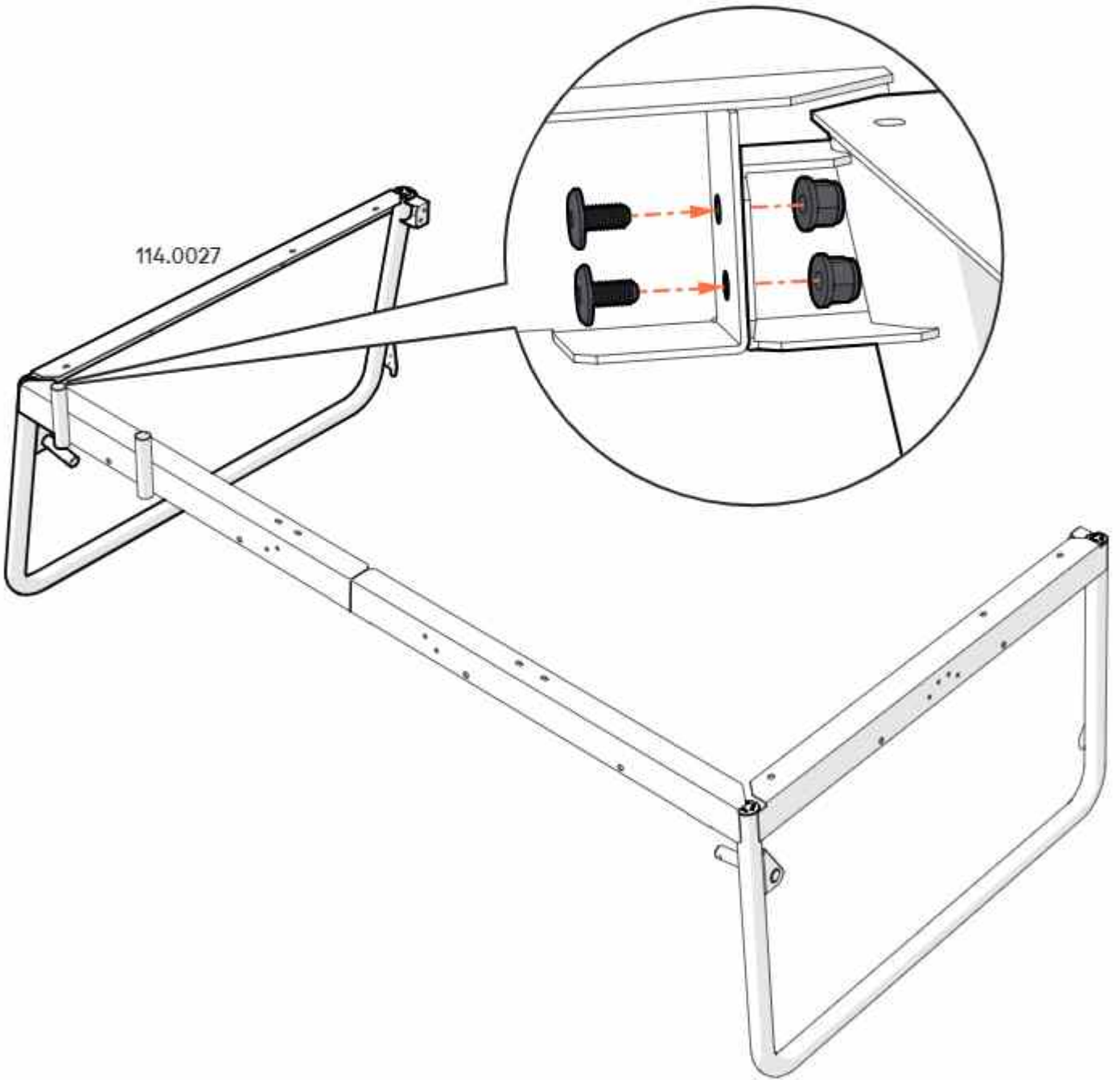
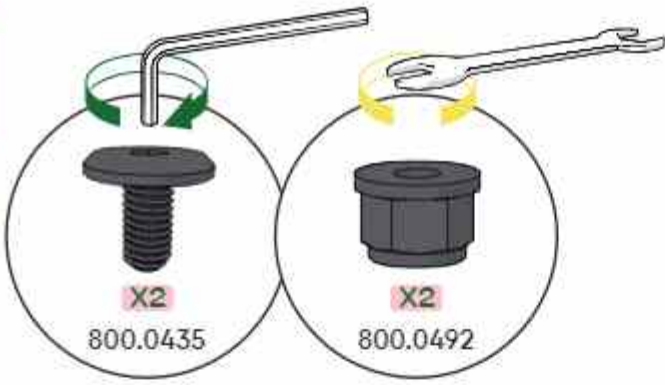
2

Box A



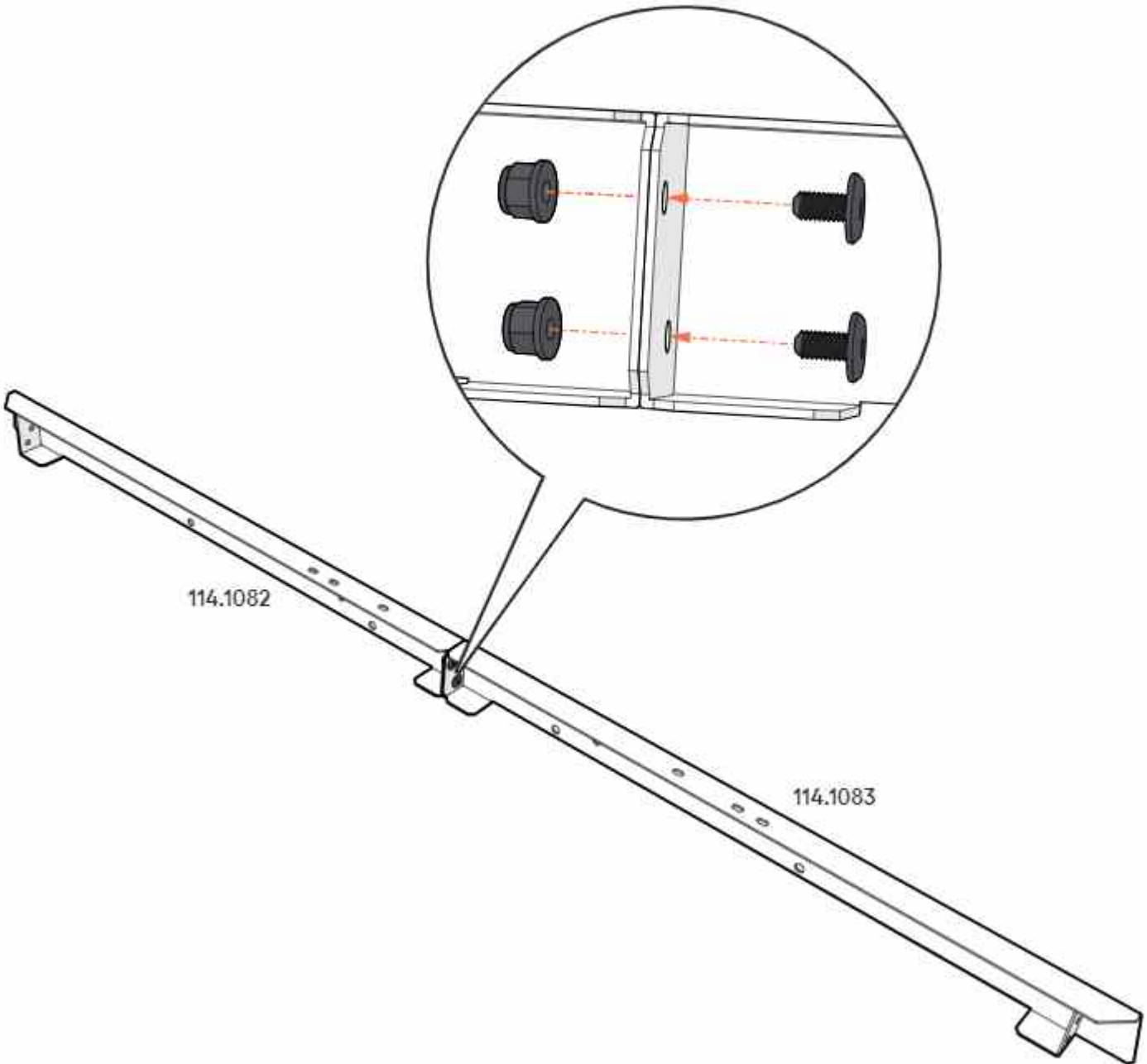
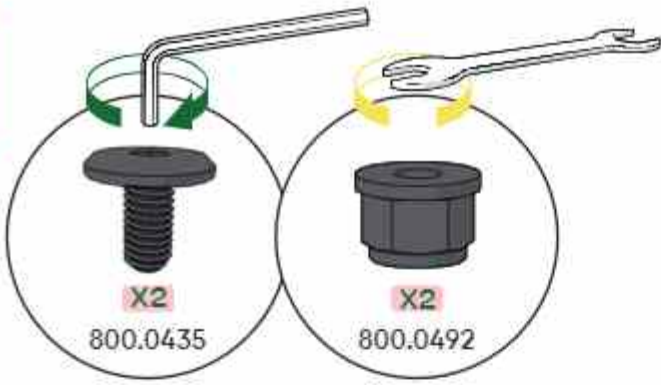
3

Box A

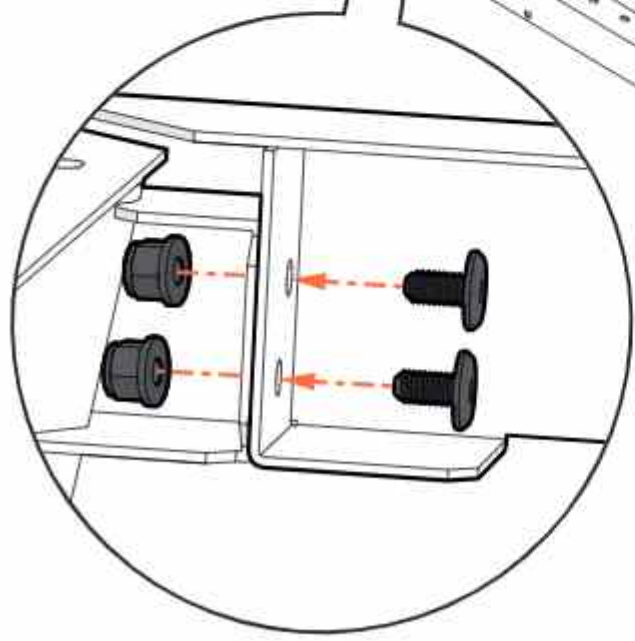
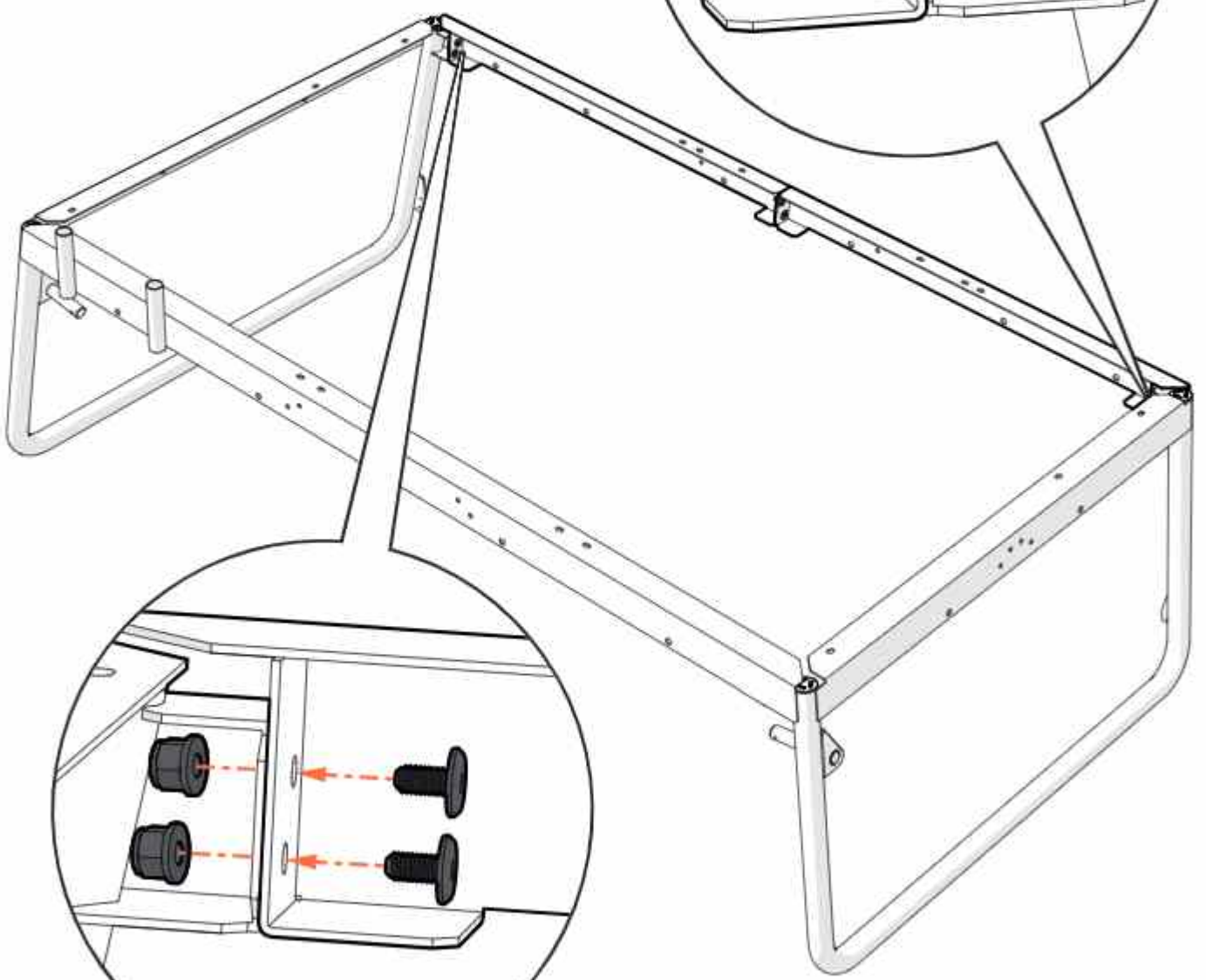
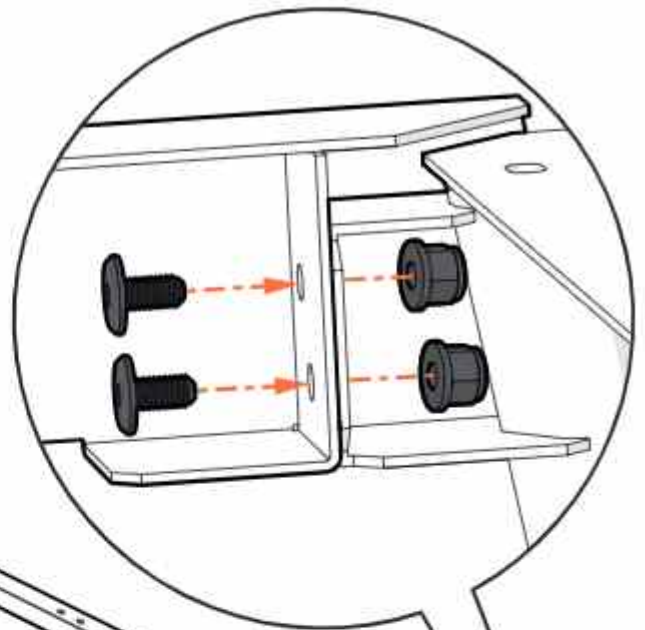


4

Box A

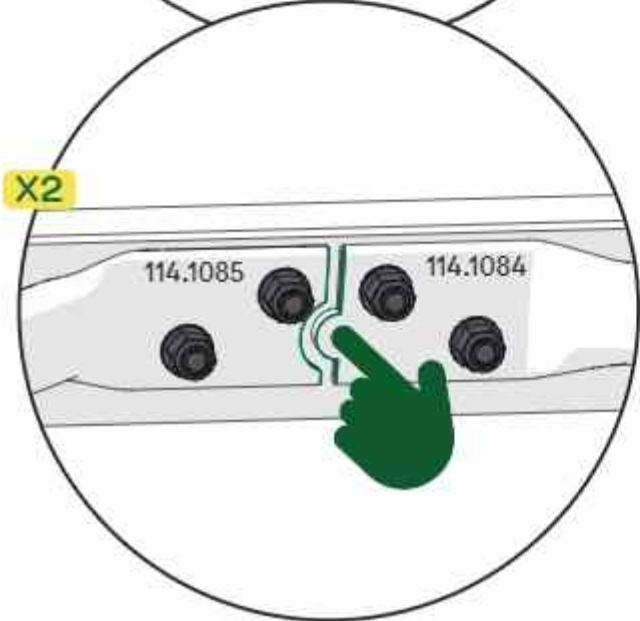
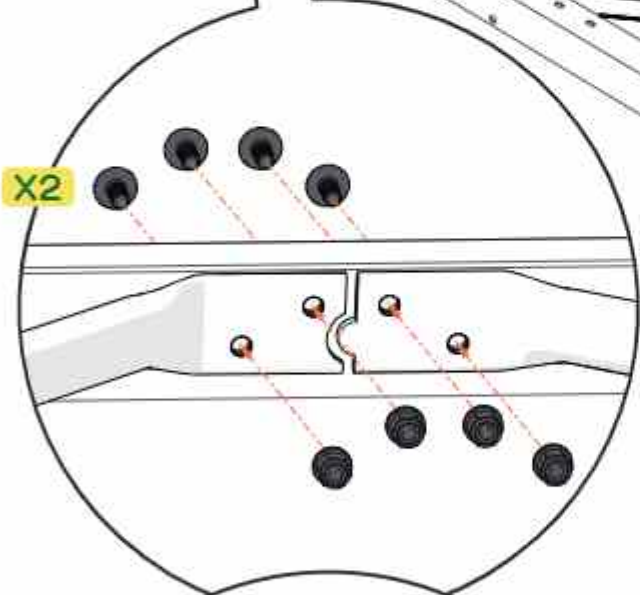
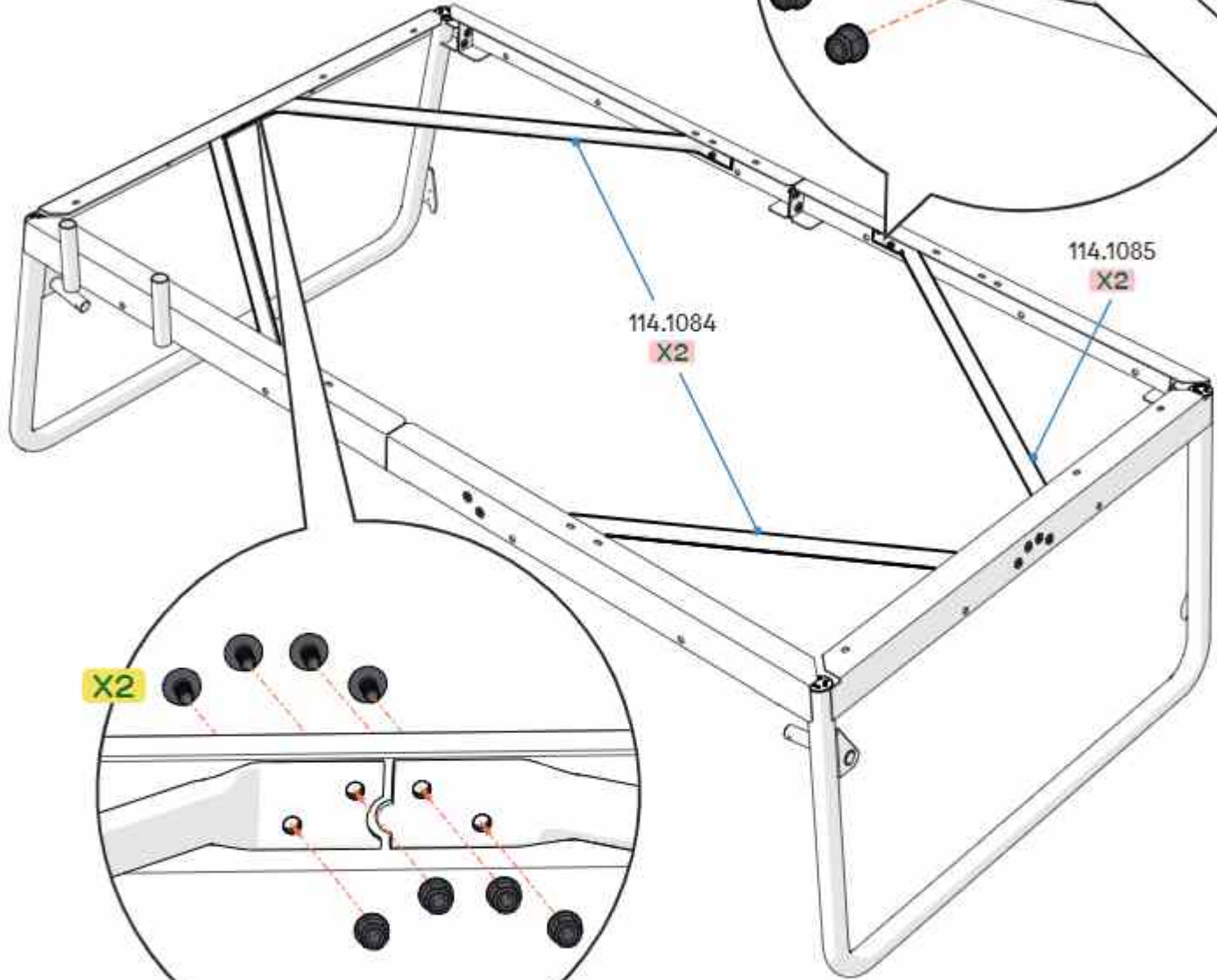
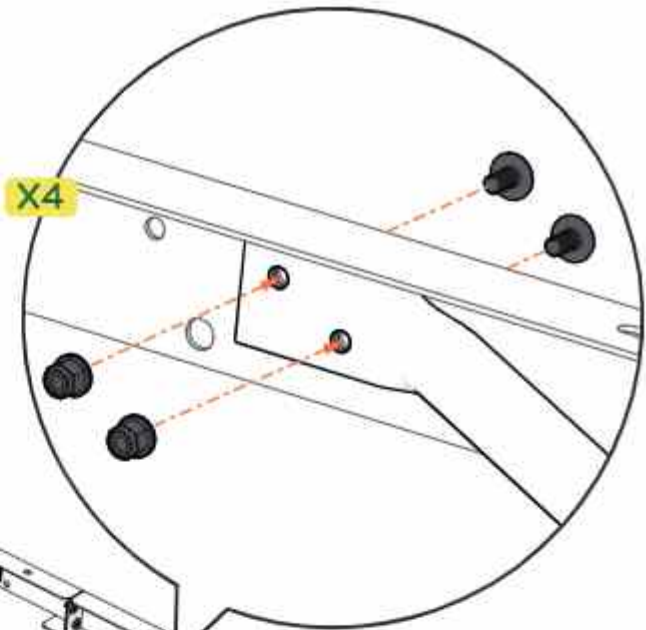


5



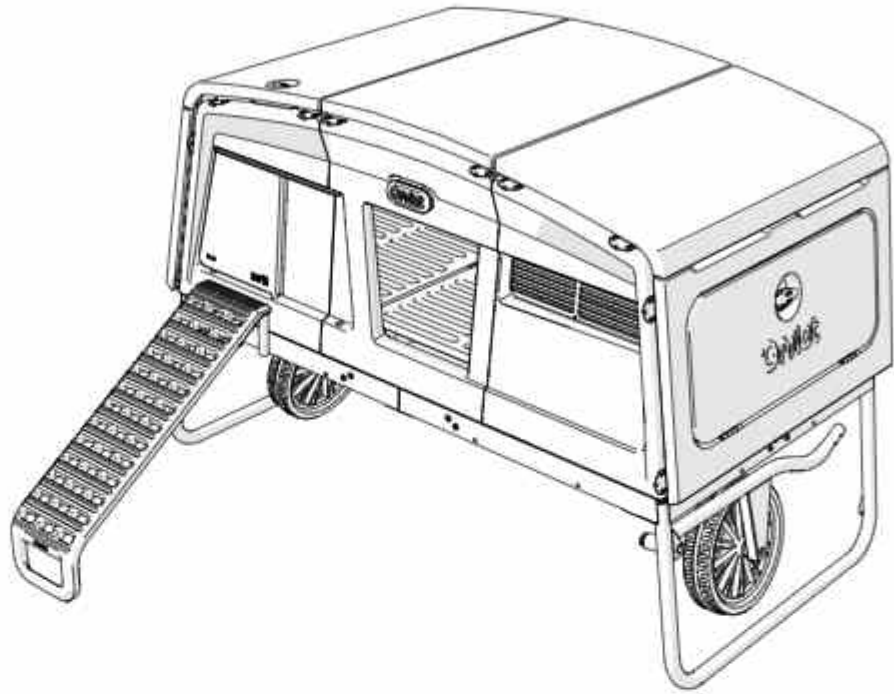
6

Box A

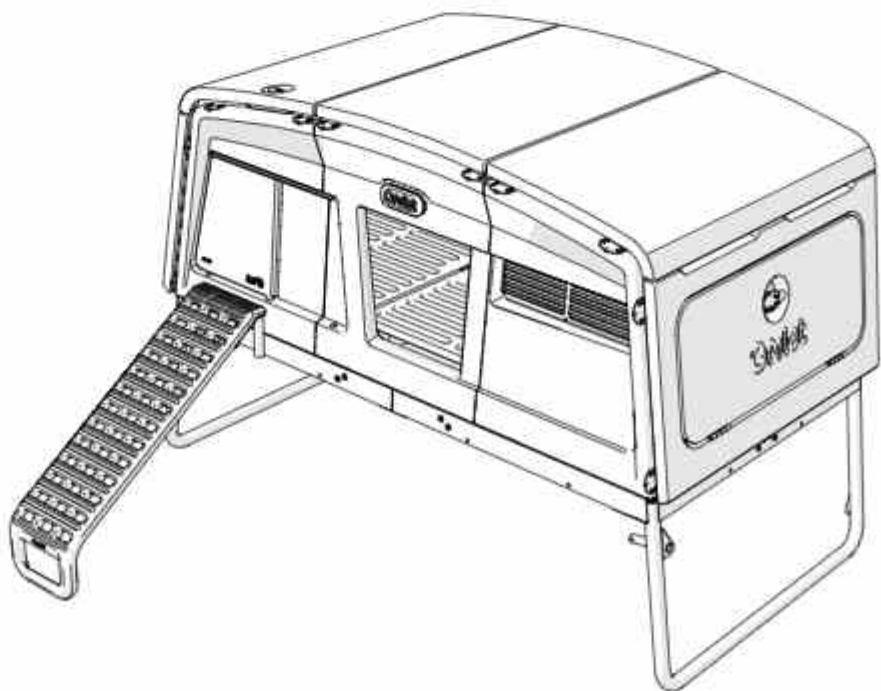


To make sure your frame is secure before continuing, you can give your setup a good shake!
Then tighten the fixings in any section that wobbles

Wheels:

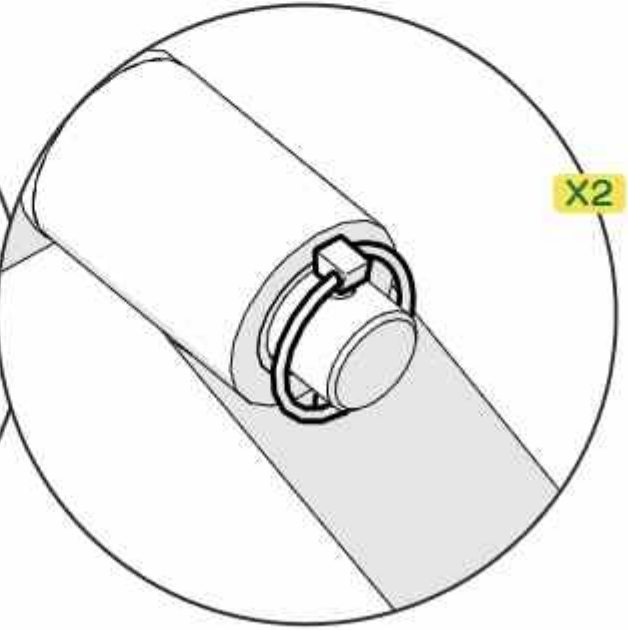
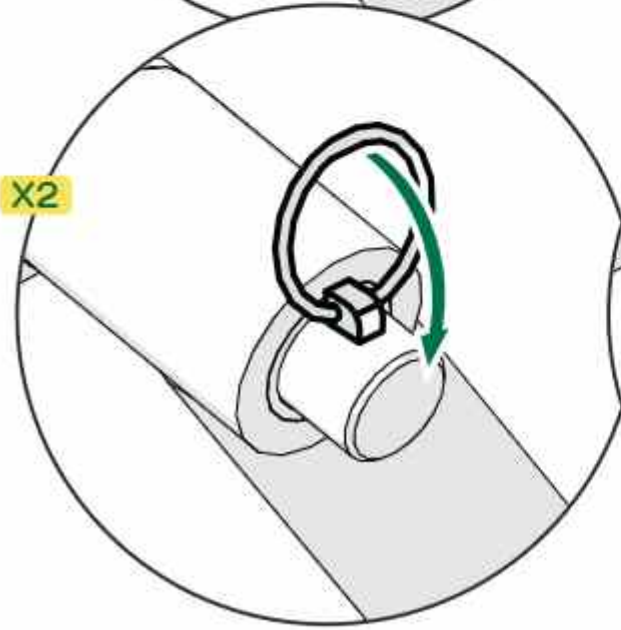
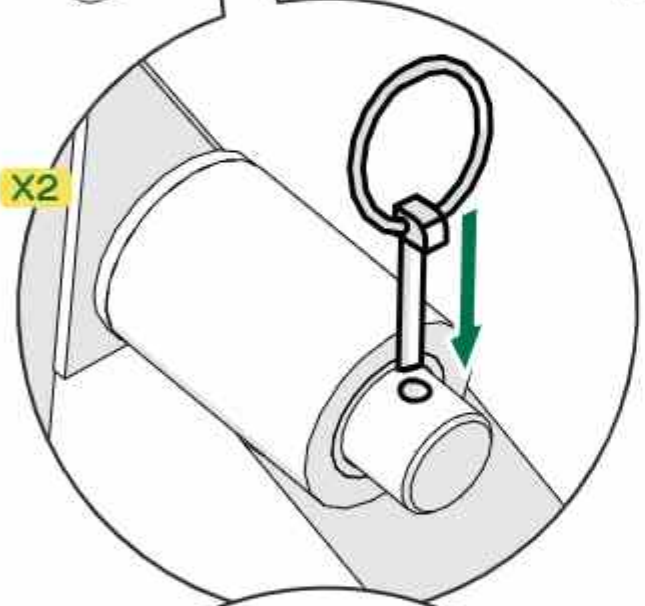
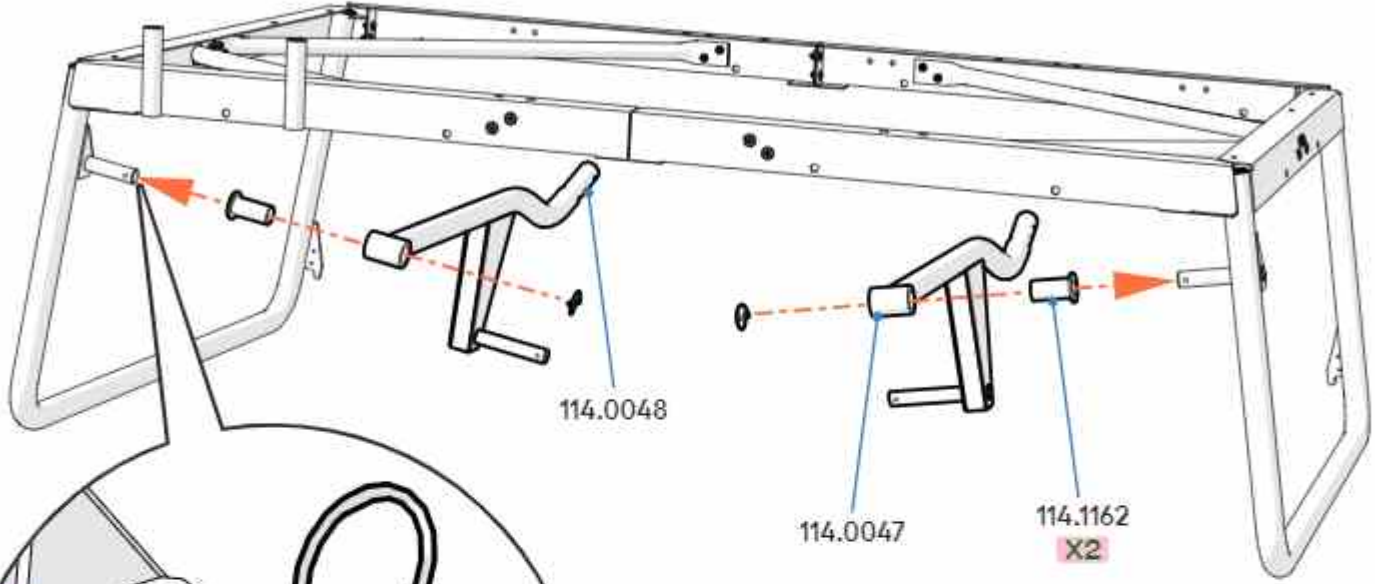
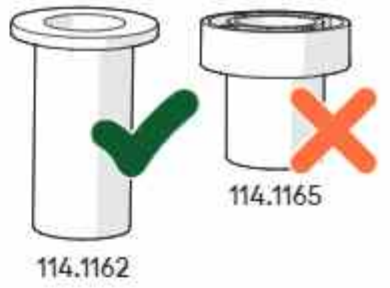
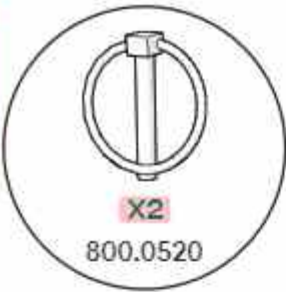


No Wheels:



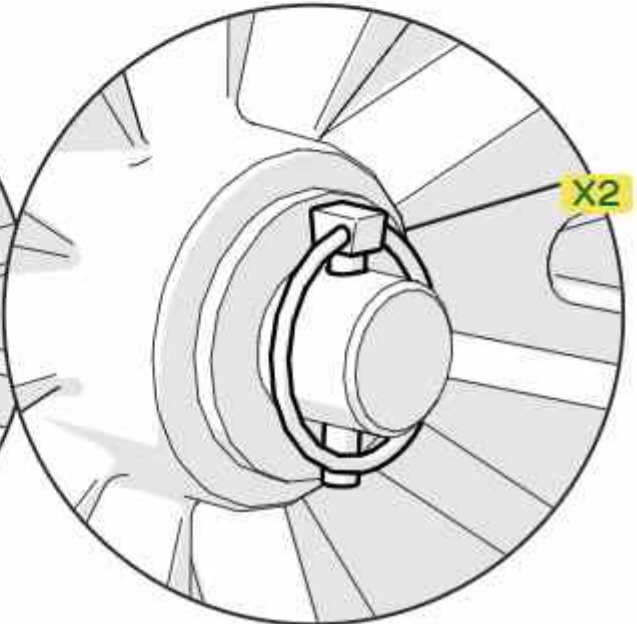
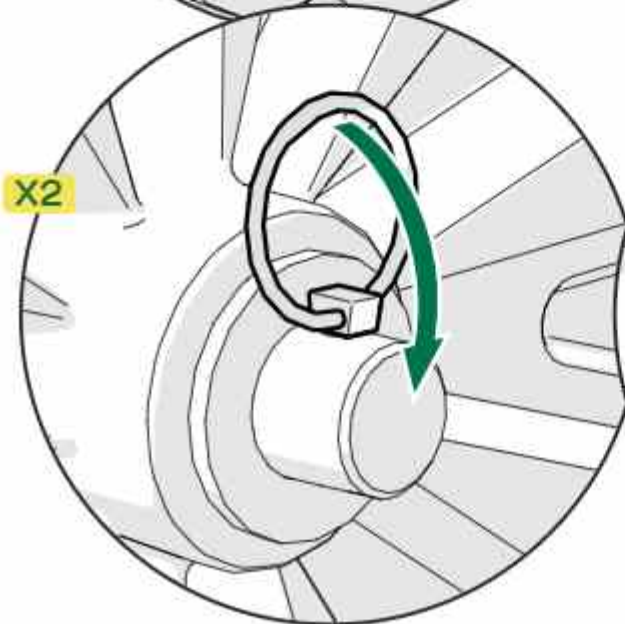
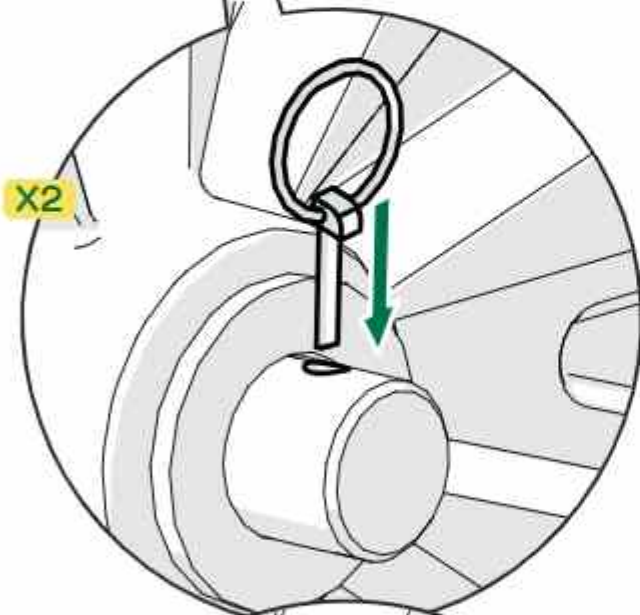
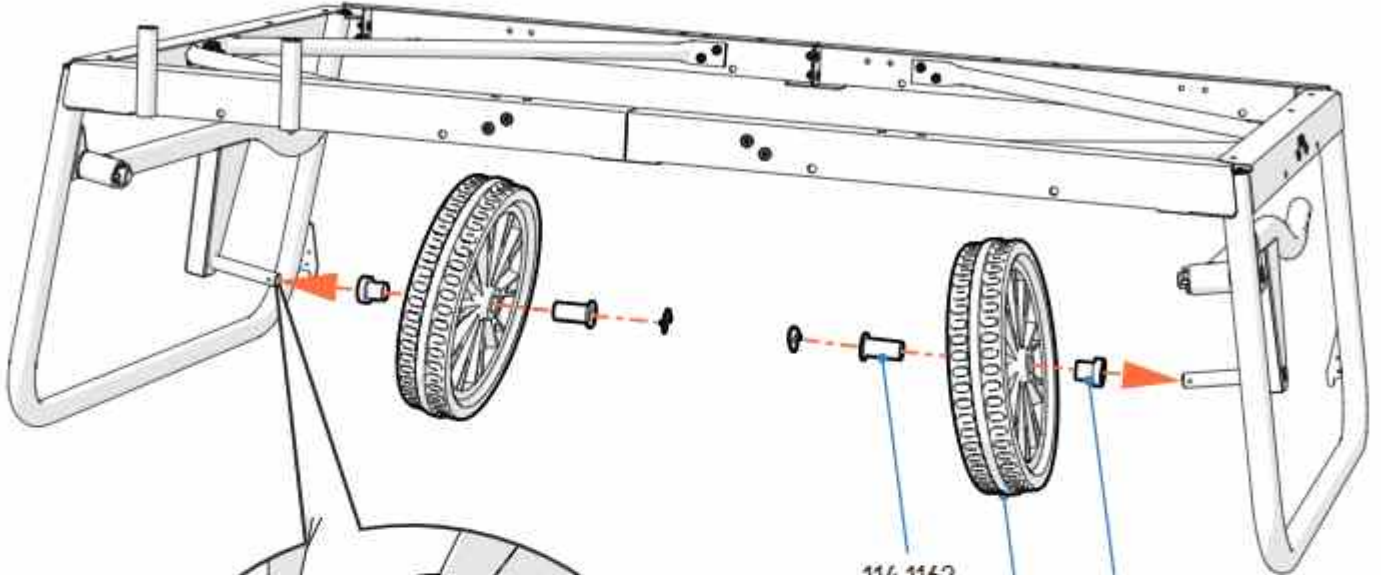
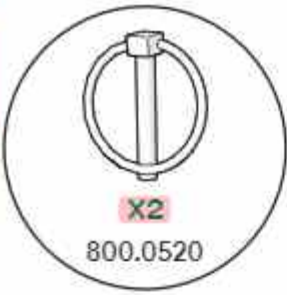
7

Box F



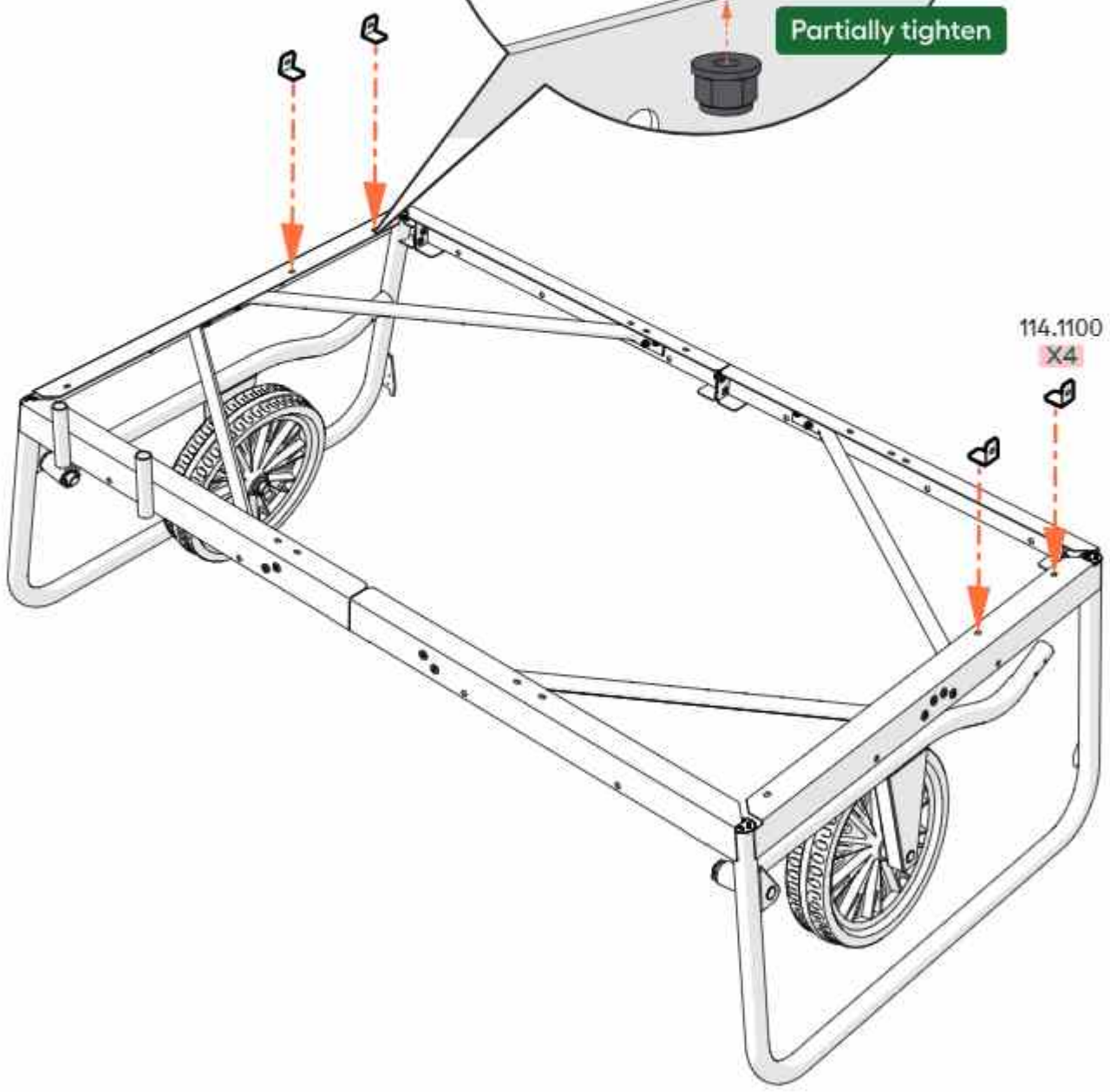
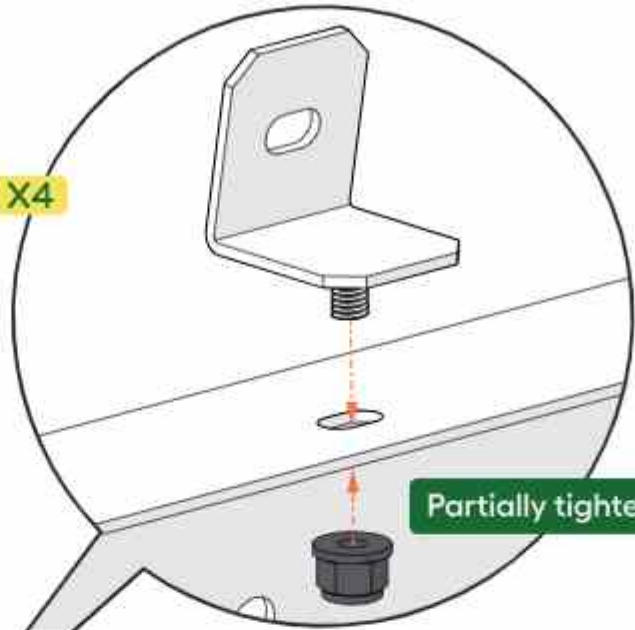
8

Box F



9

Brackets
Pack
(Box D)



10

Brackets
Pack

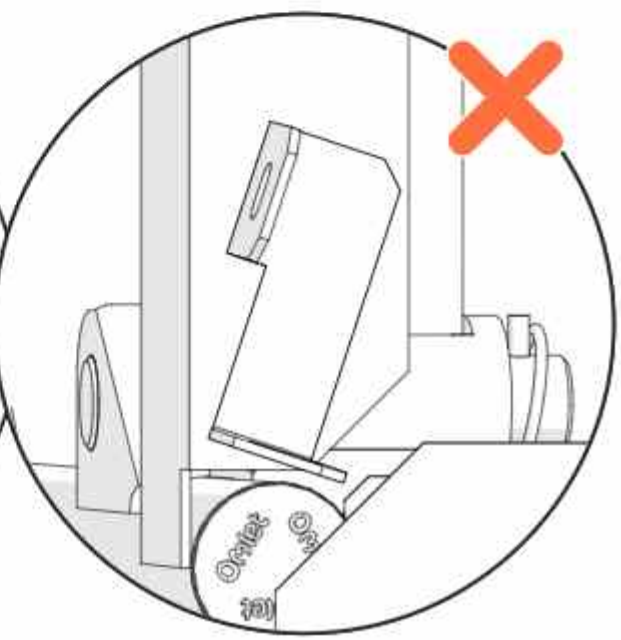
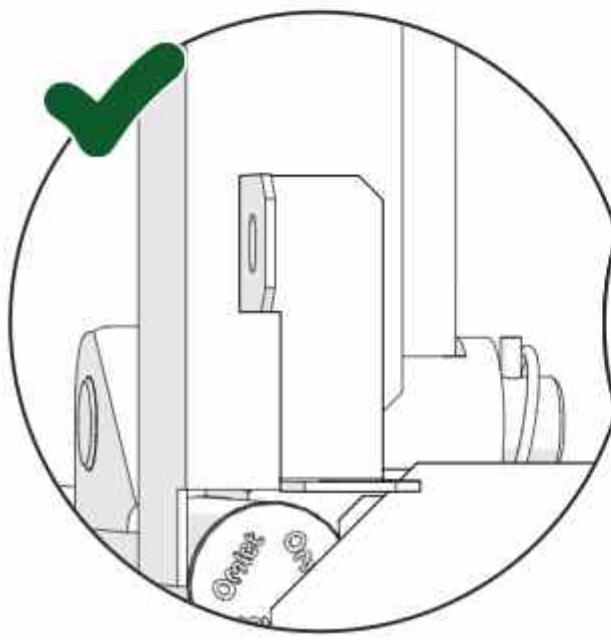


114.1102

114.1101

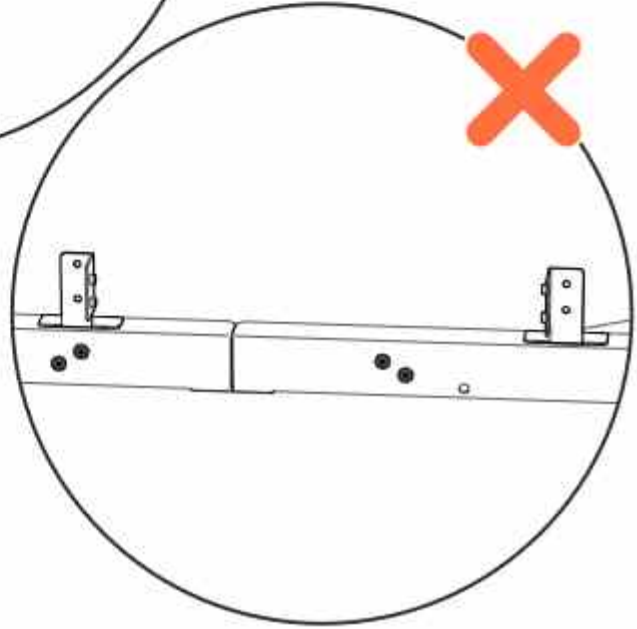
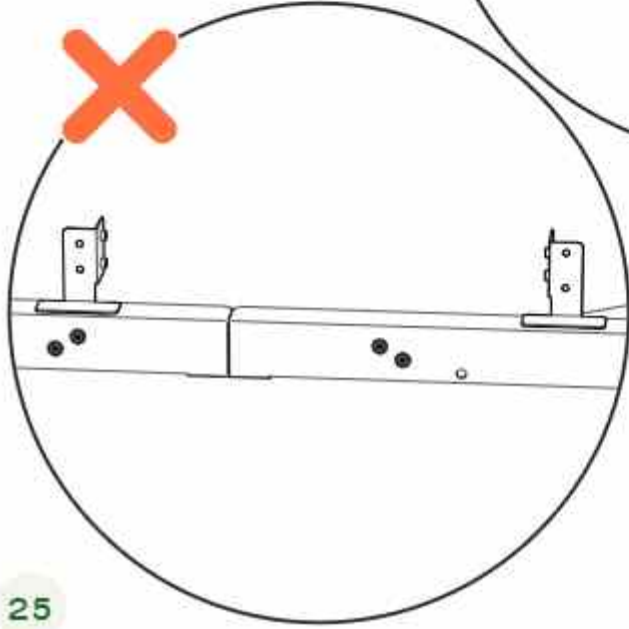
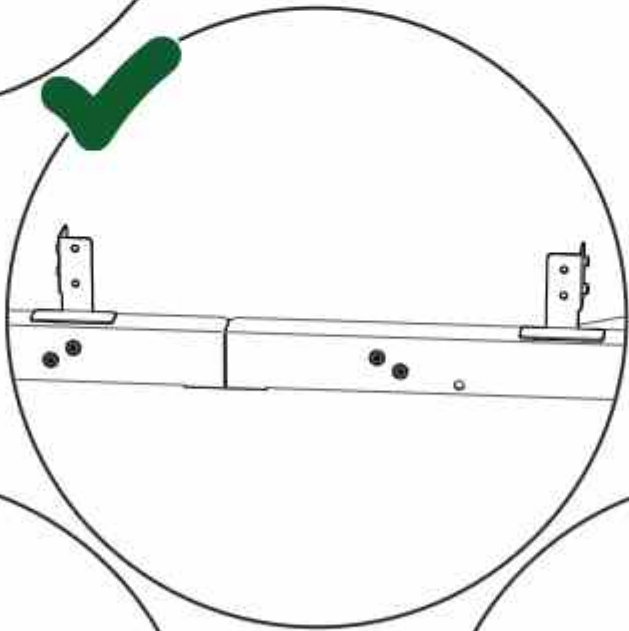
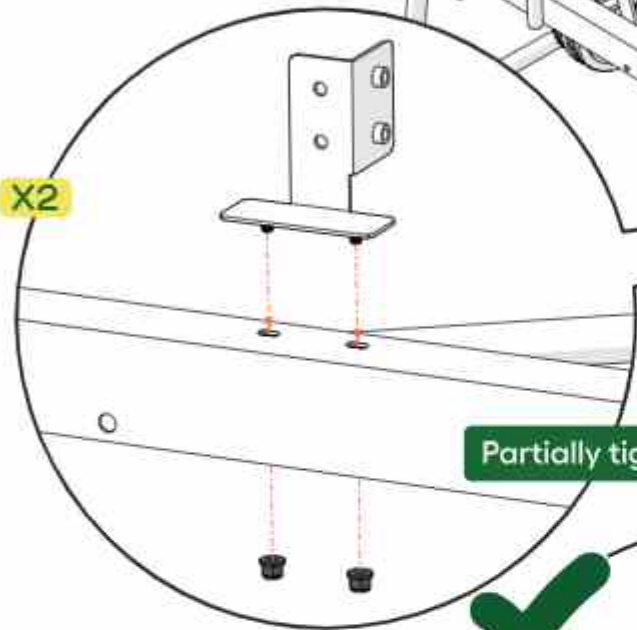
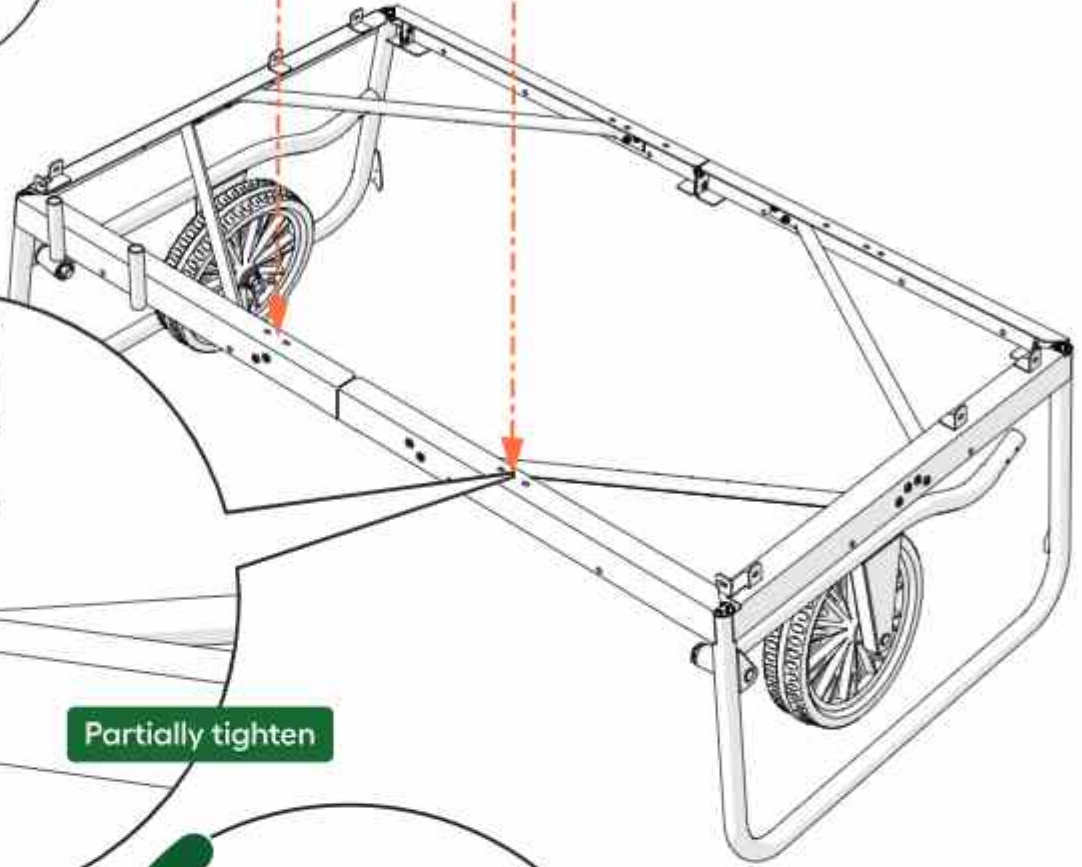
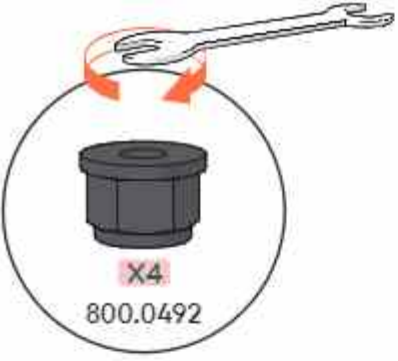
X2

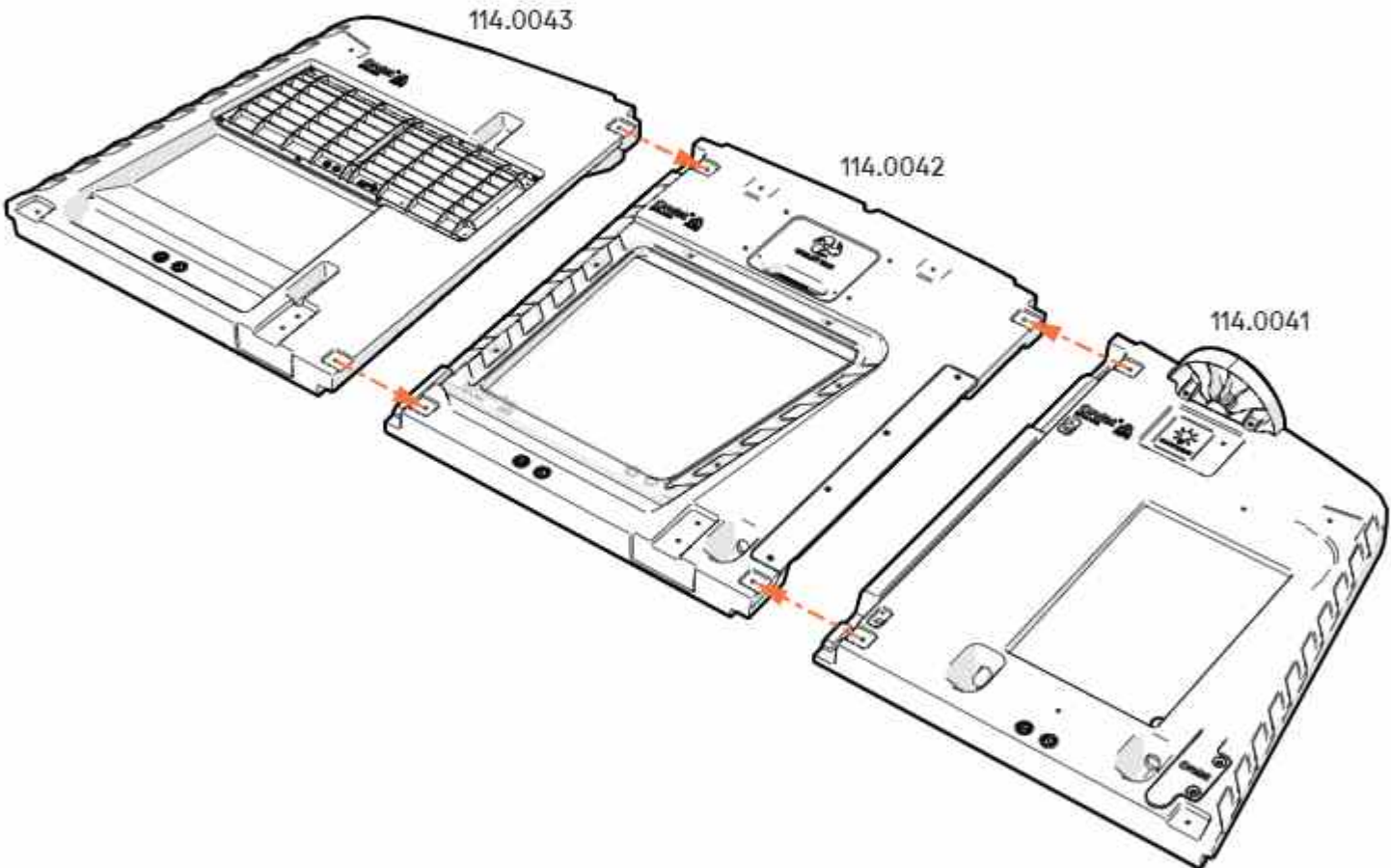
Partially tighten



11

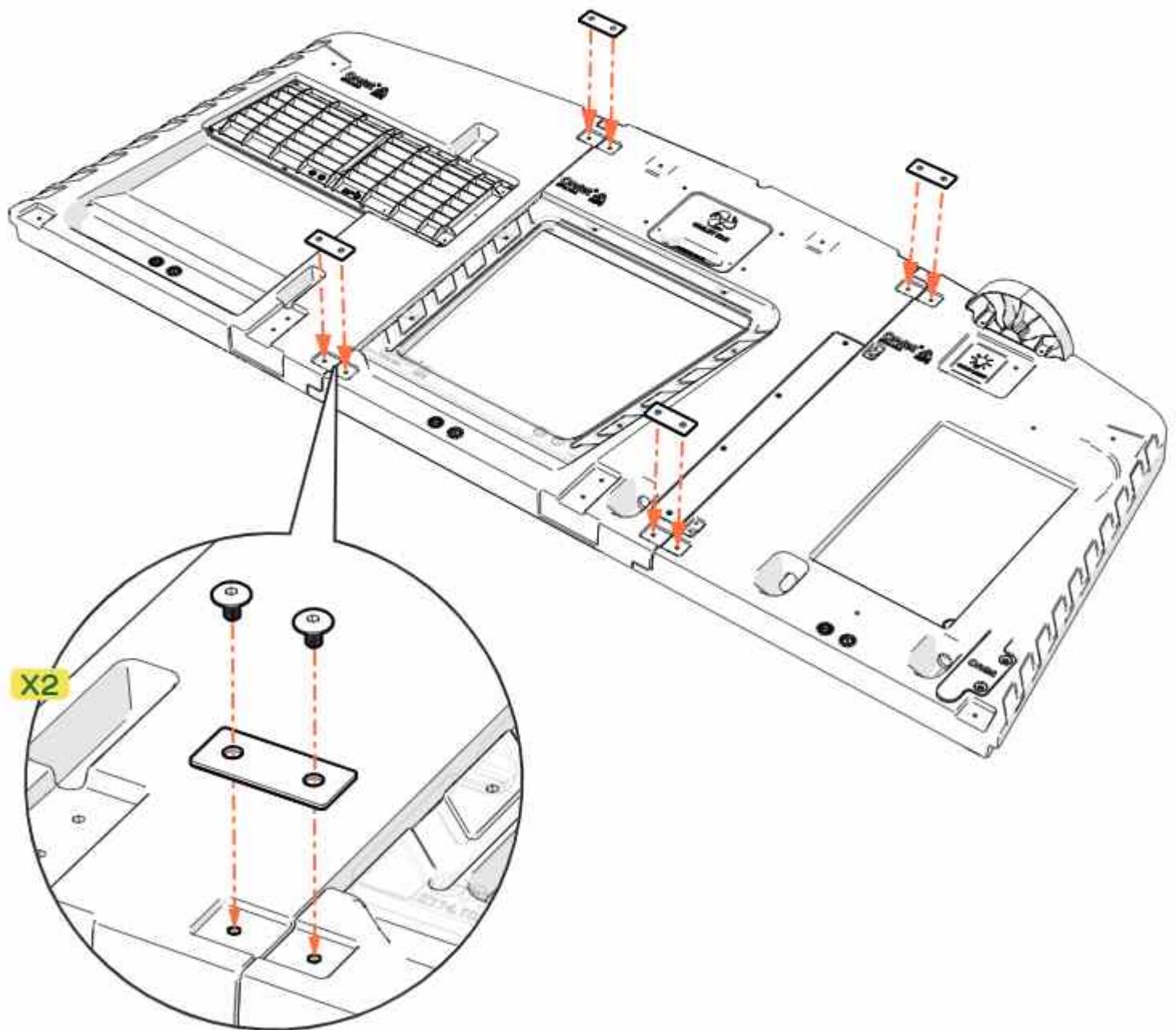
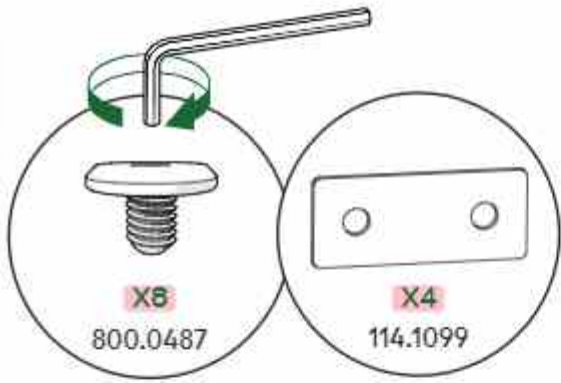
Brackets Pack





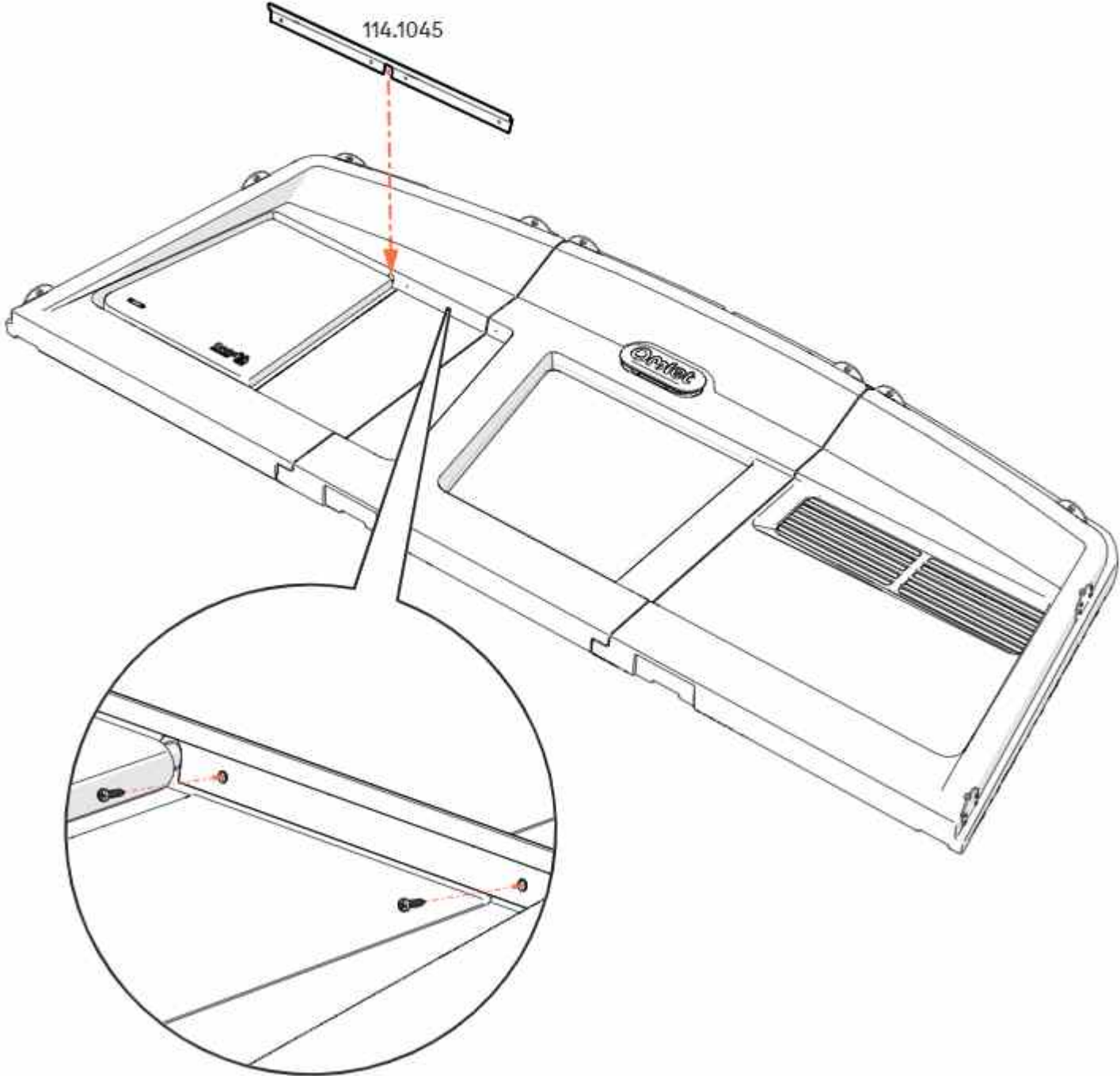
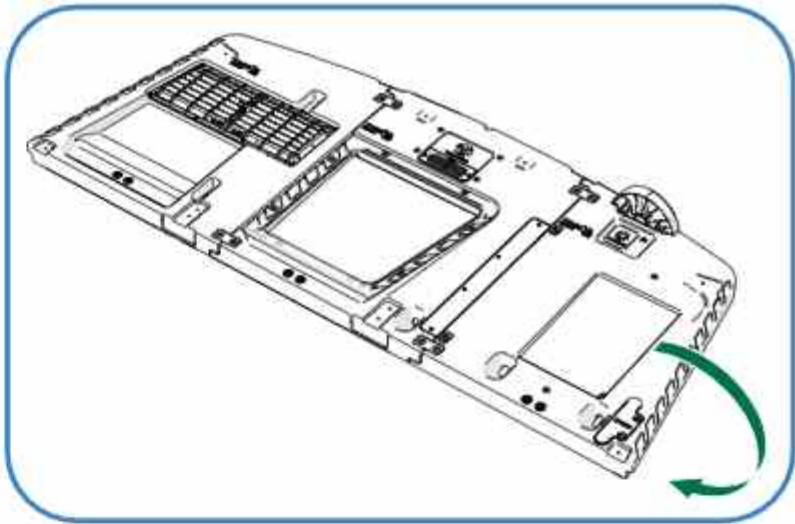
13

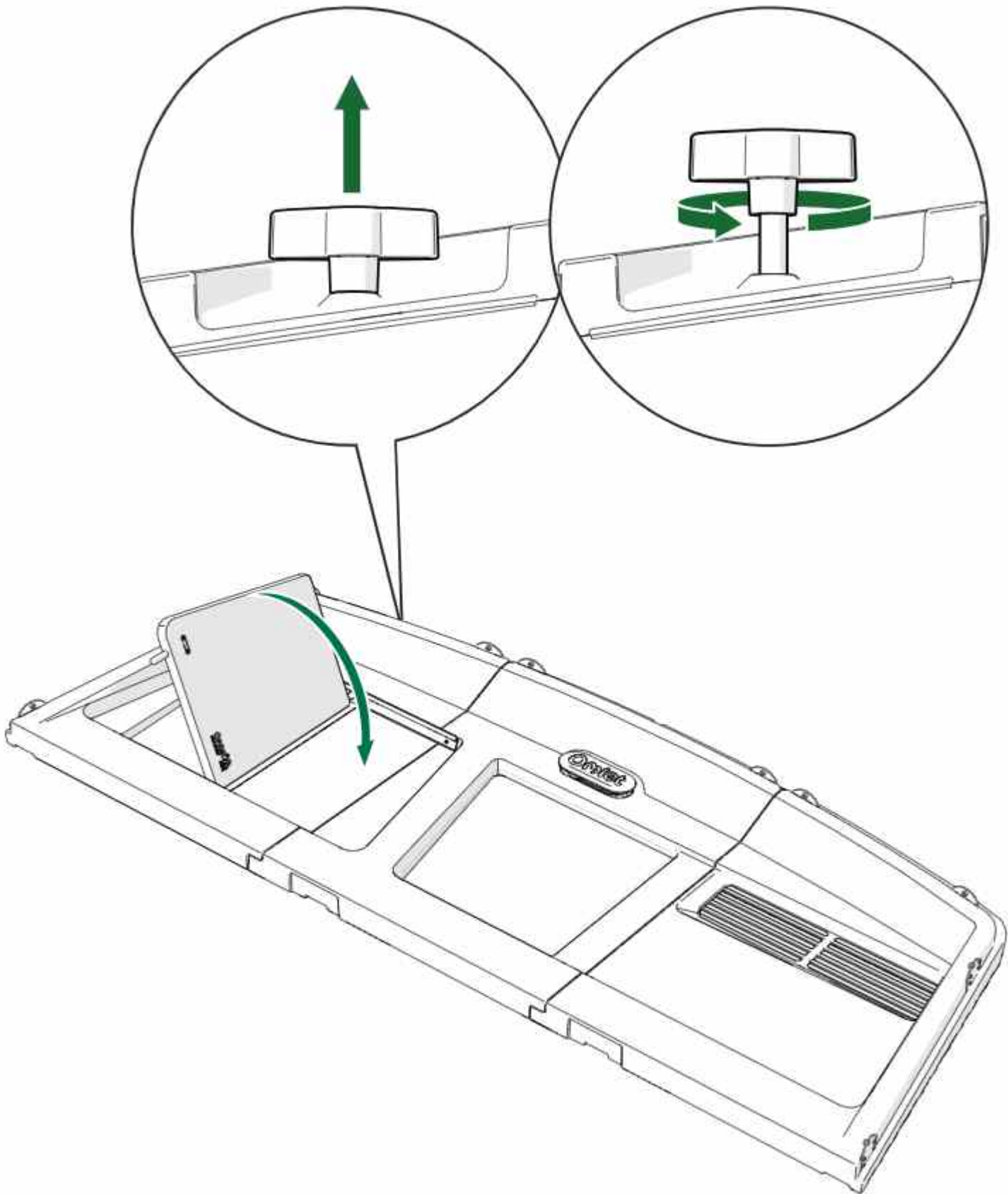
Brackets Pack



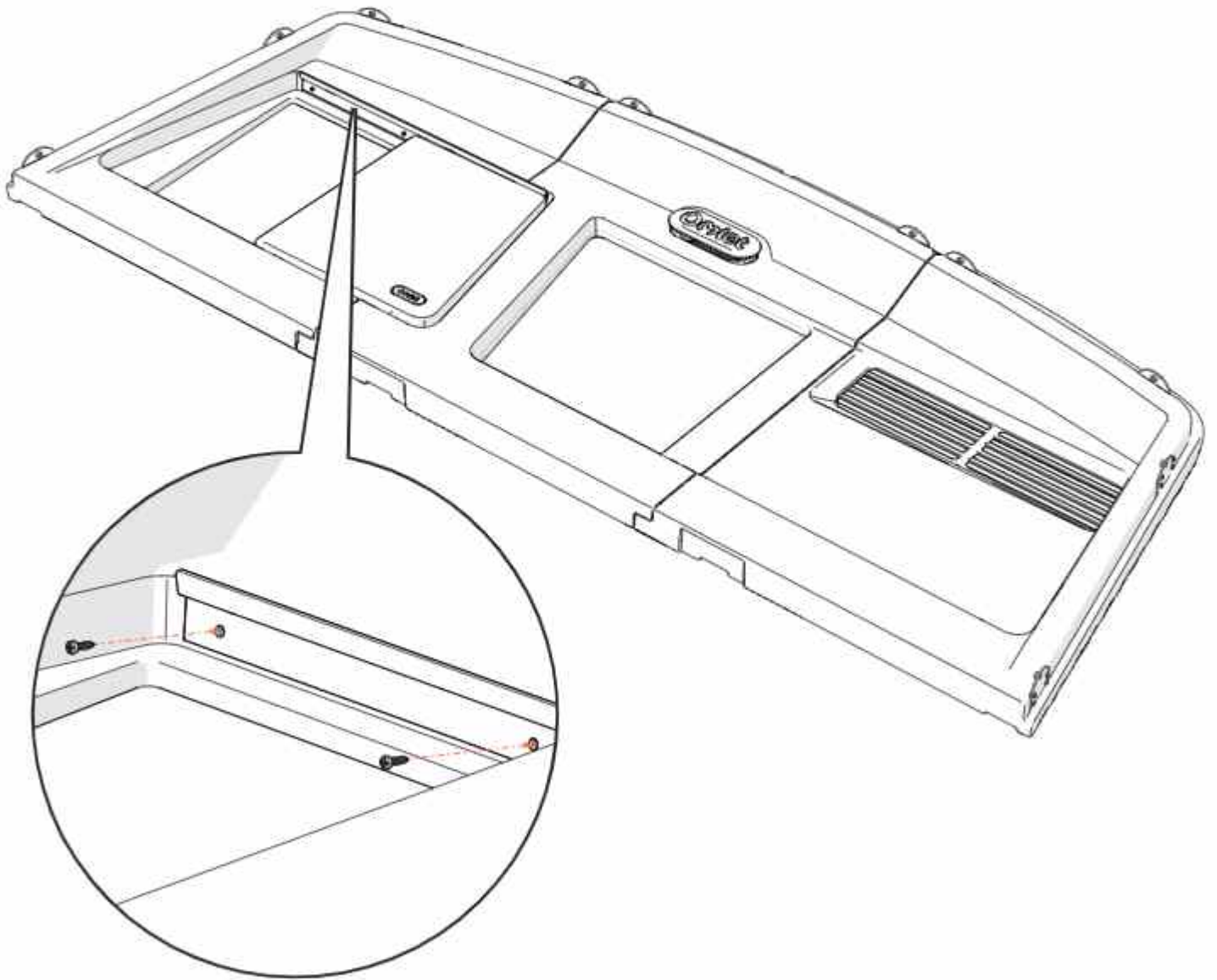
14

Box B

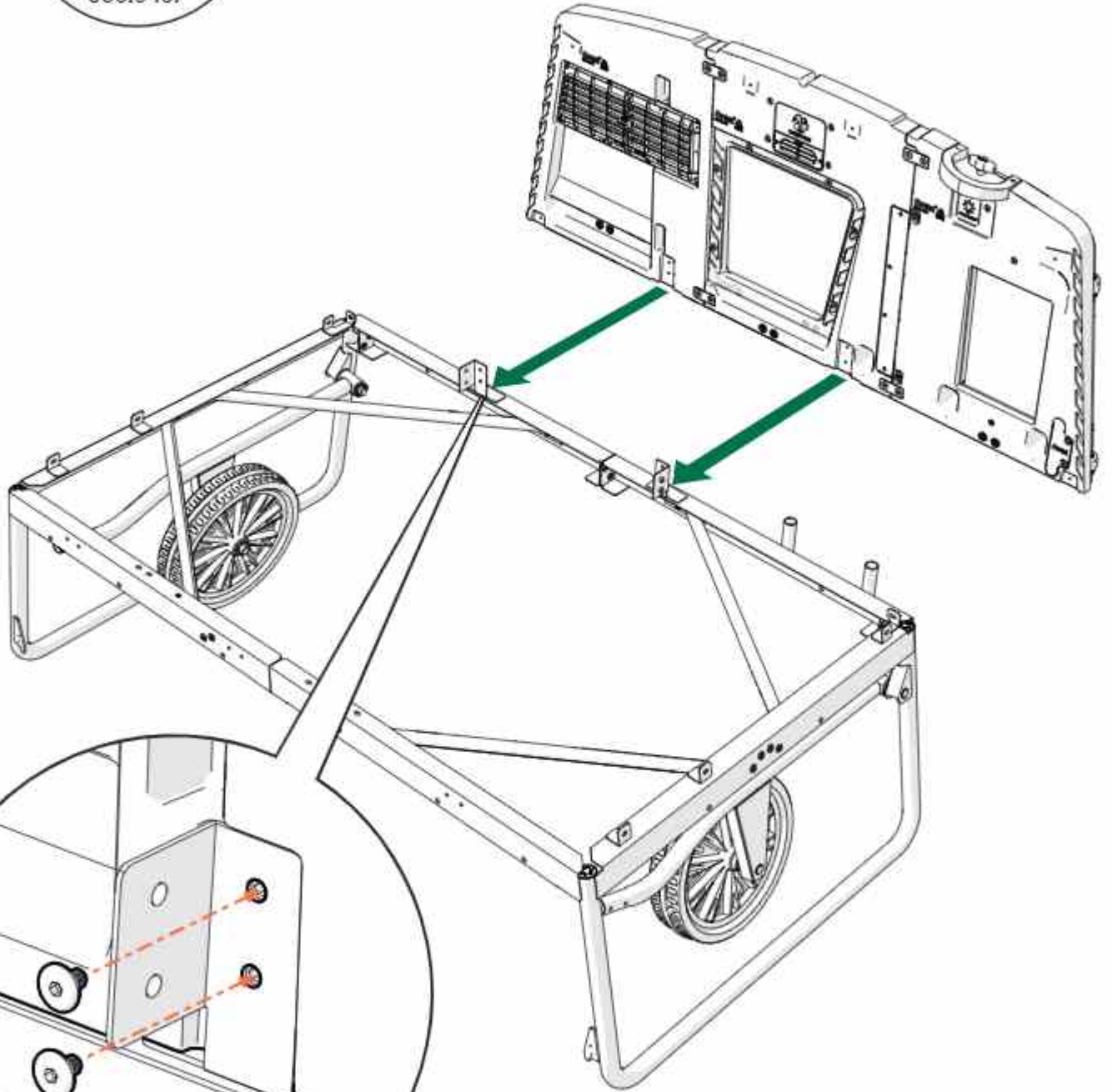
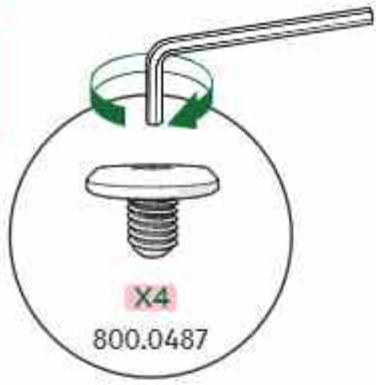


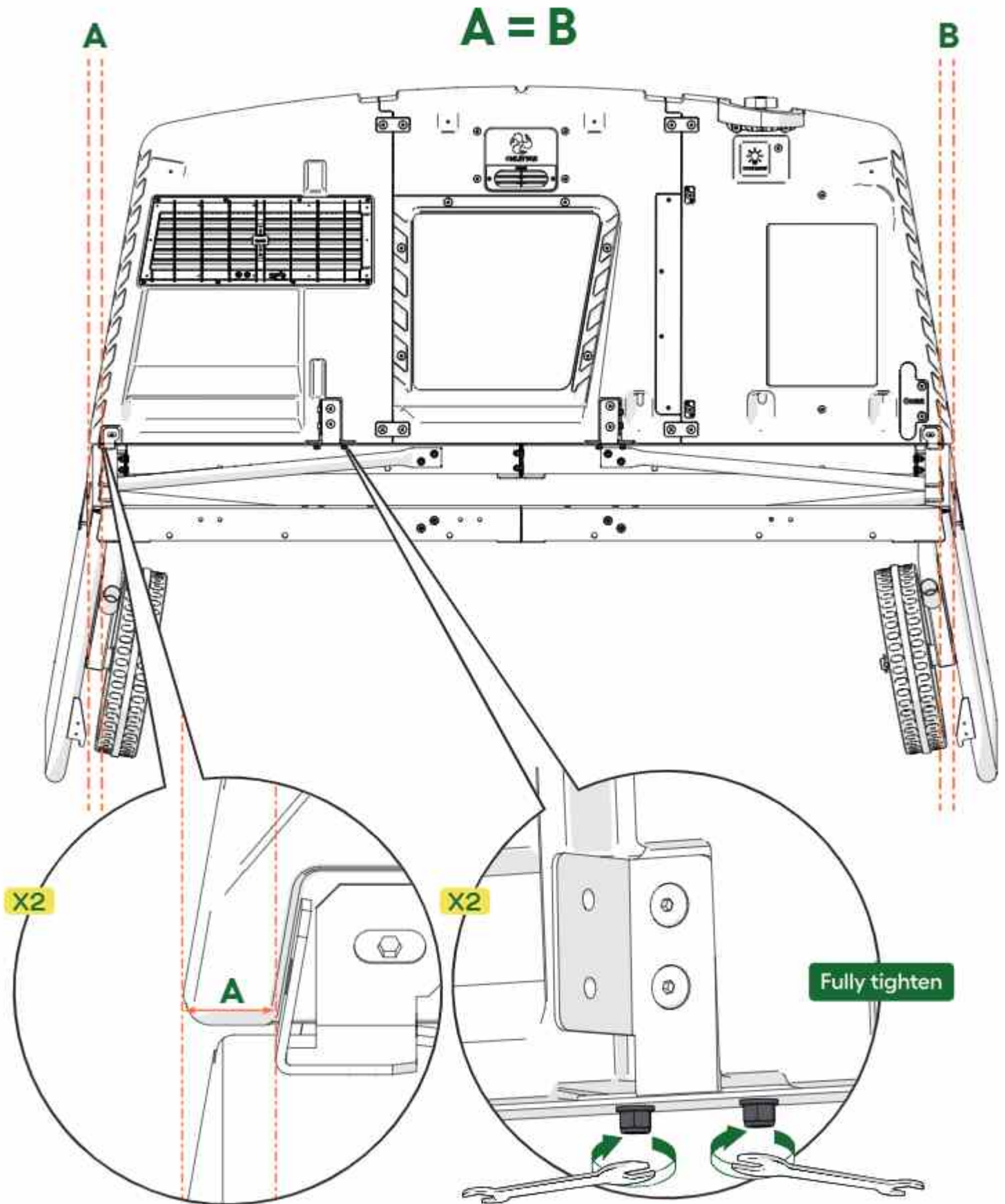


16

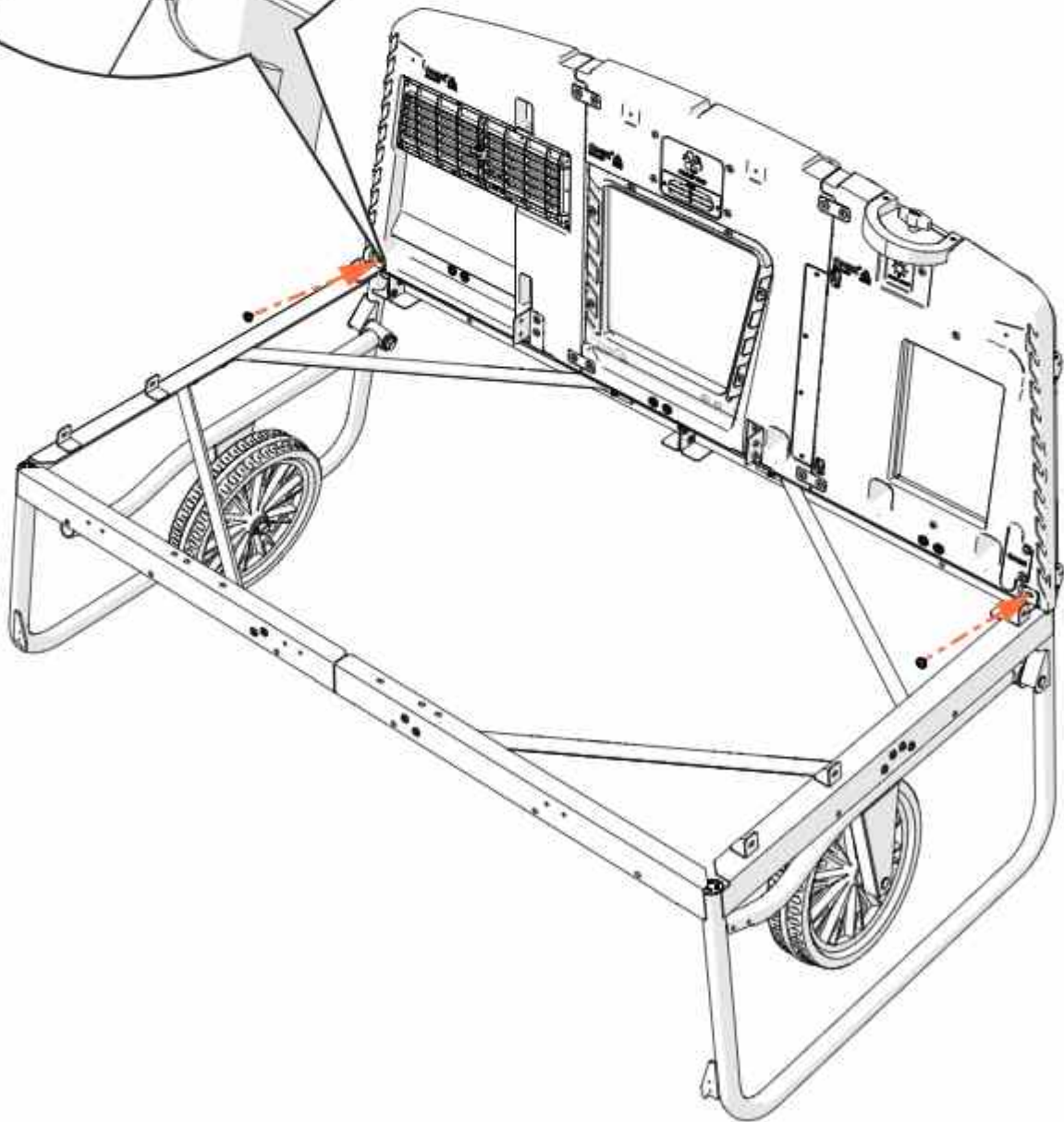
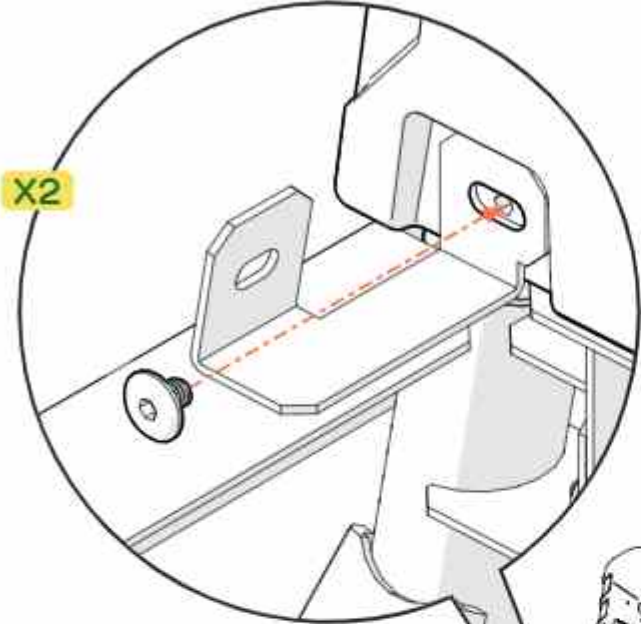
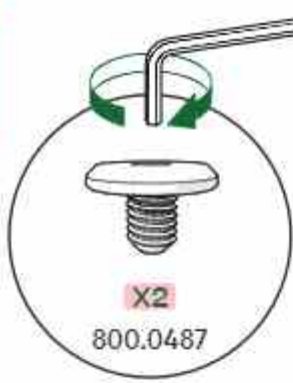


17



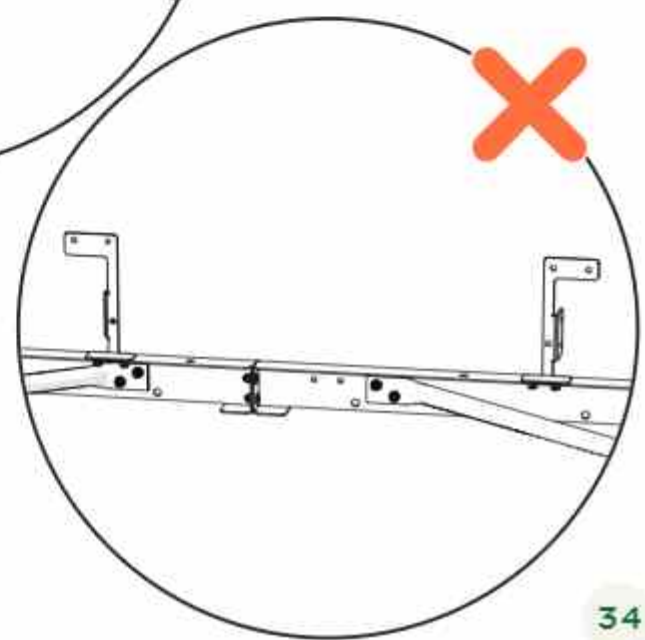
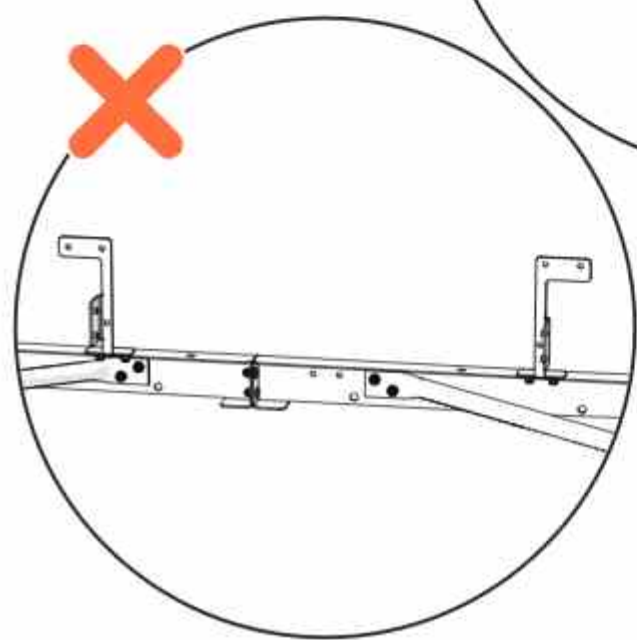
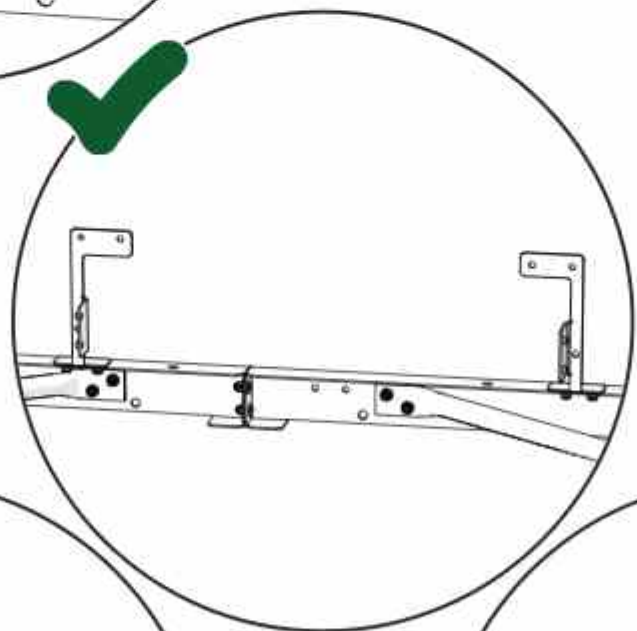
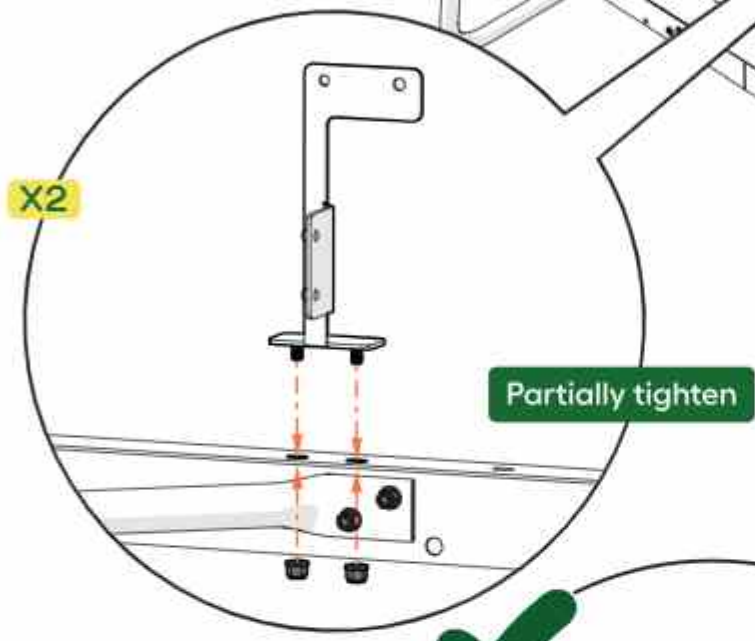
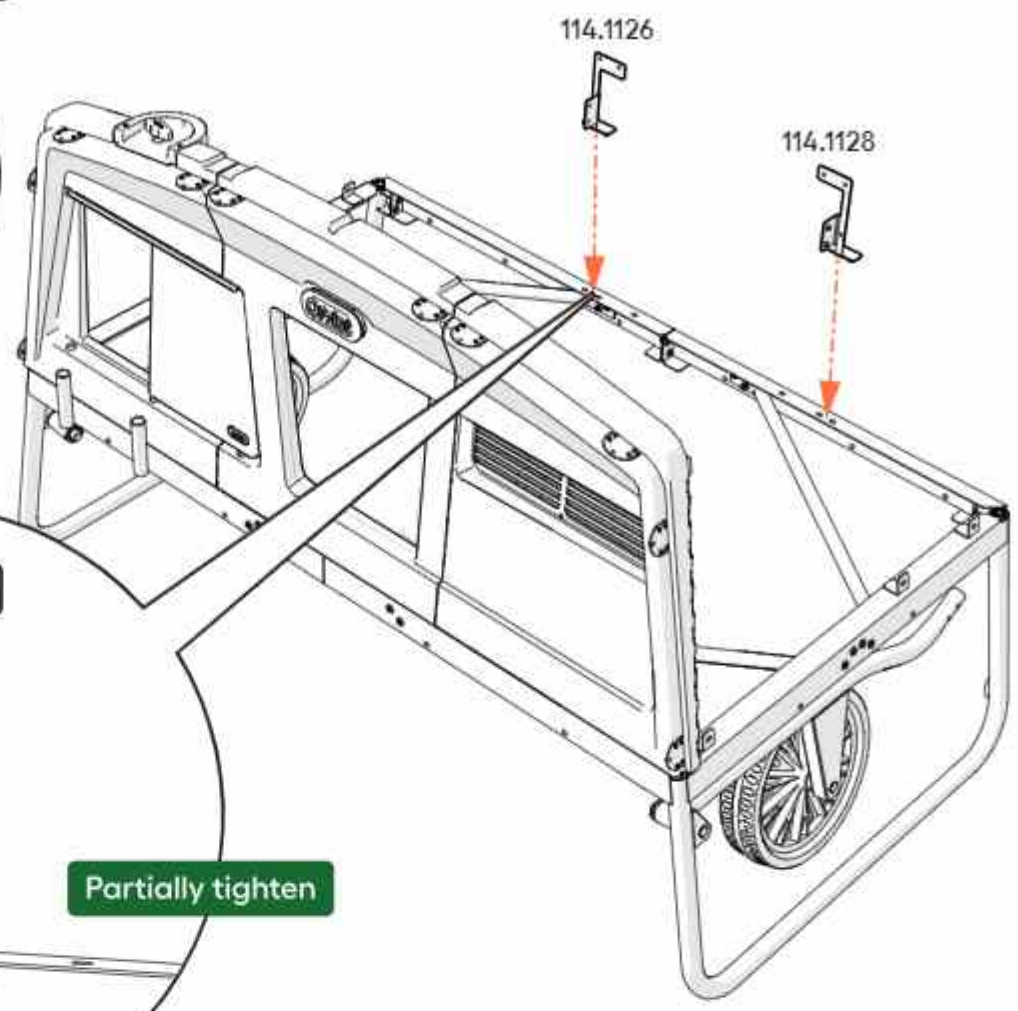


19



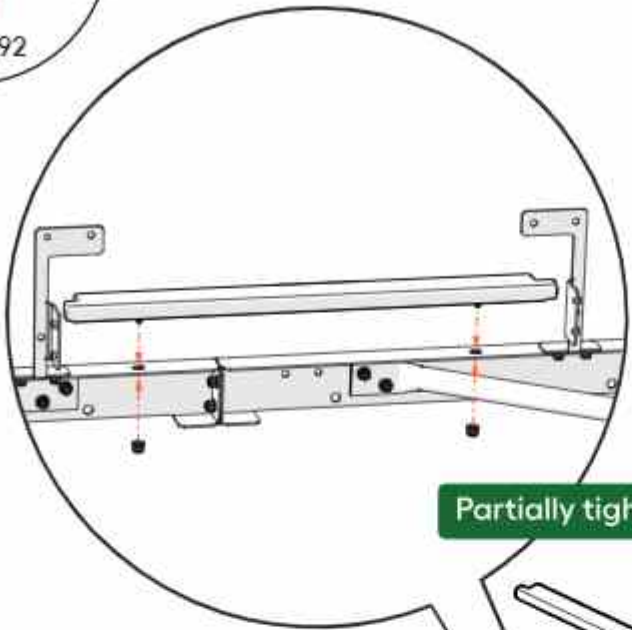
20

Brackets Pack

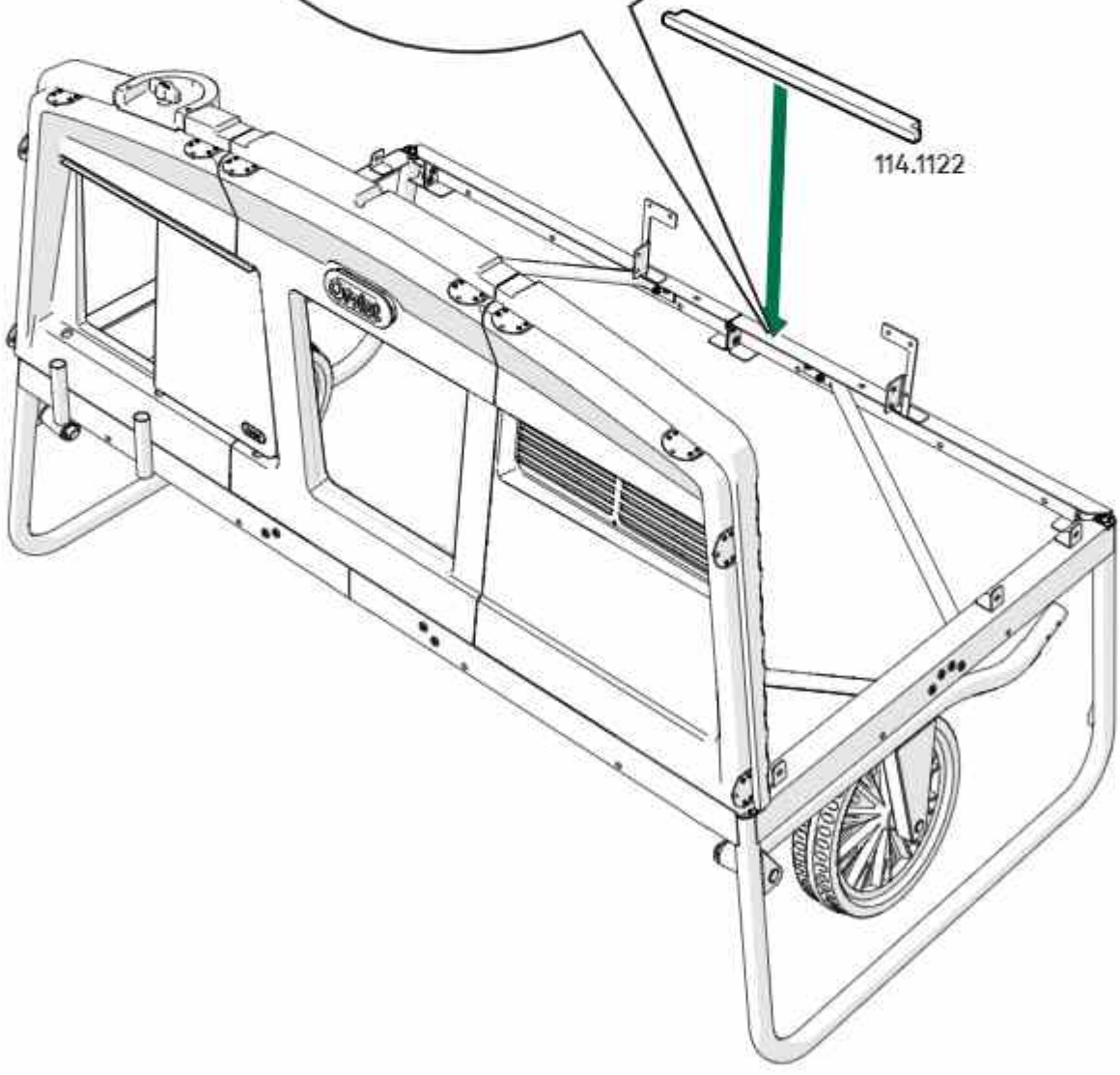


21

Box E

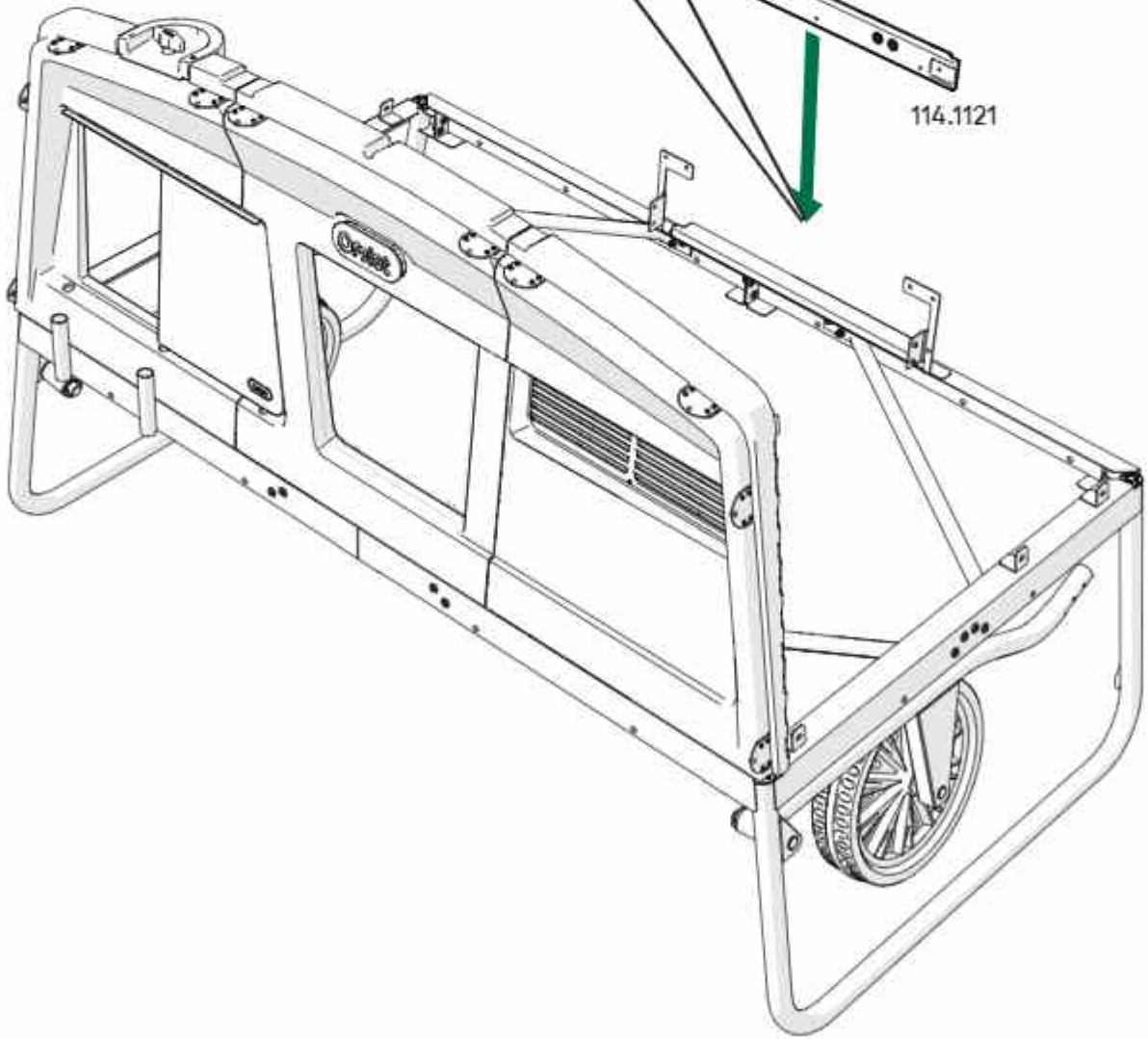
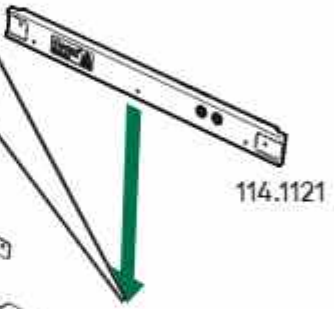
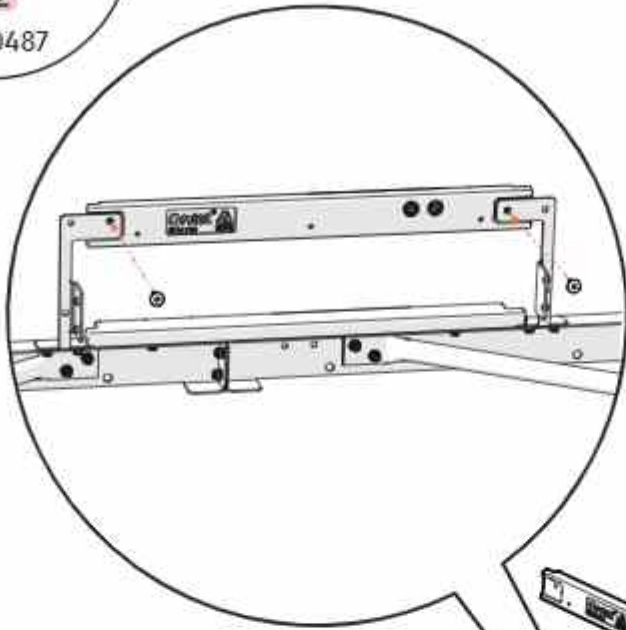
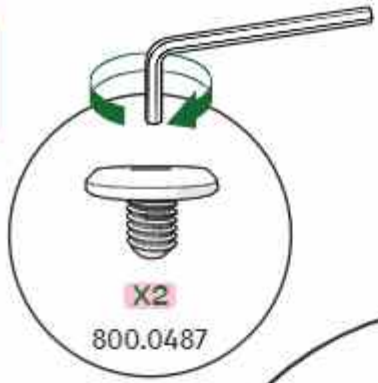


Partially tighten



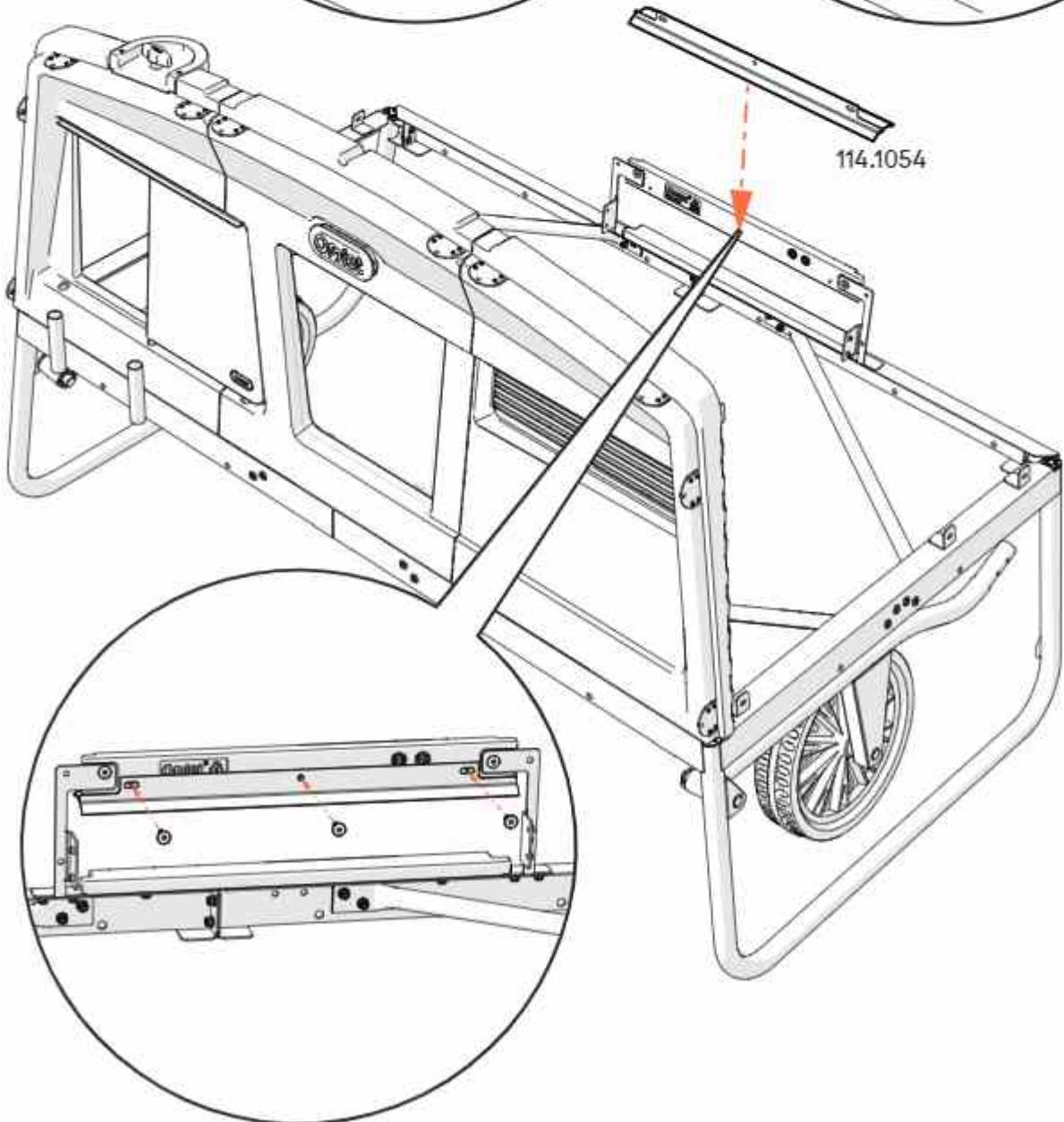
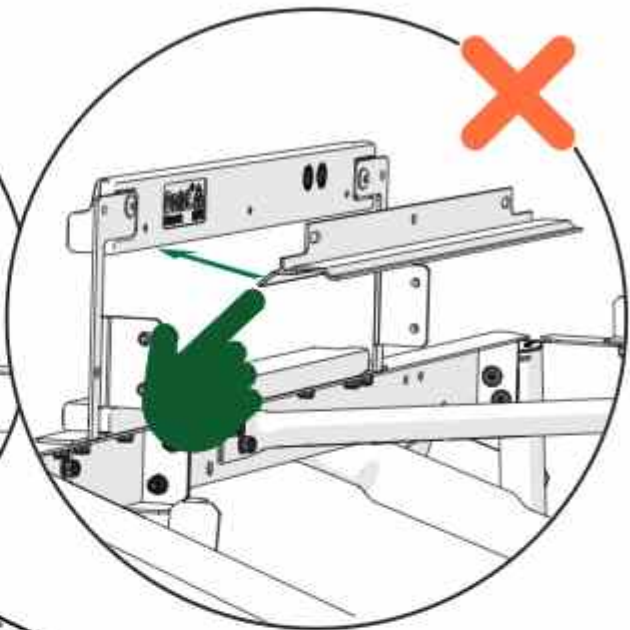
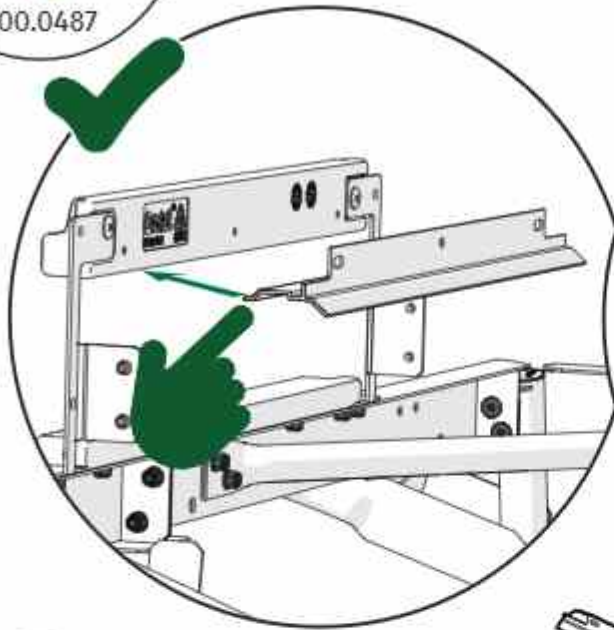
22

Box E



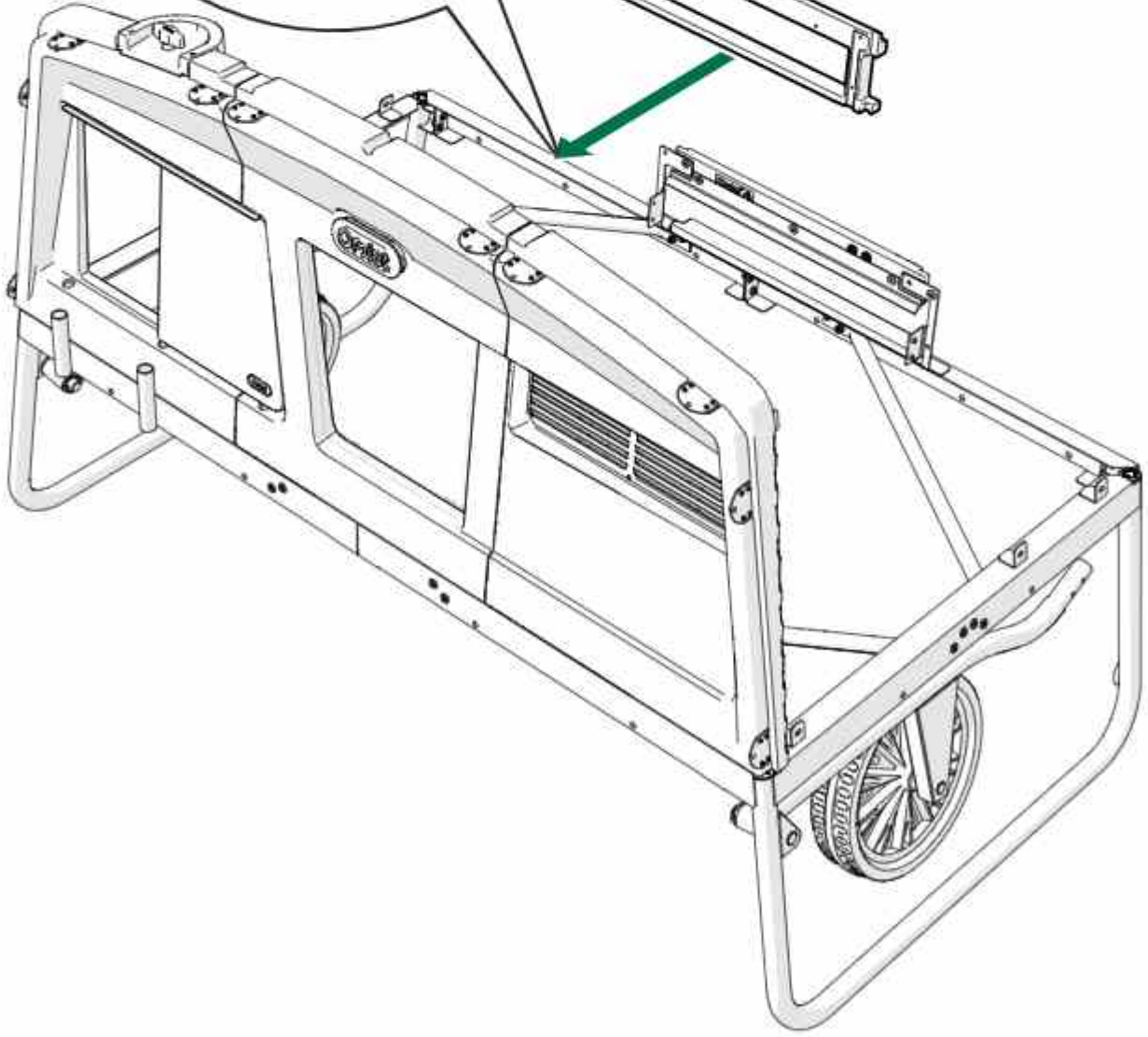
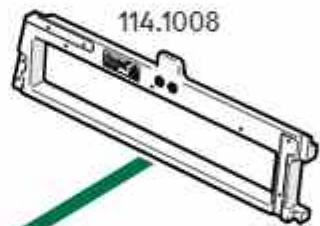
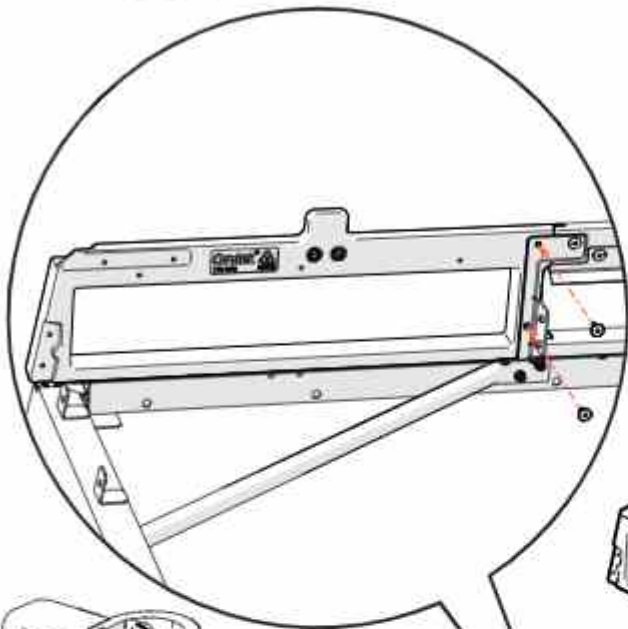
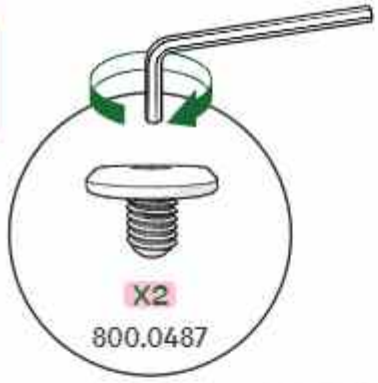
23

Box B



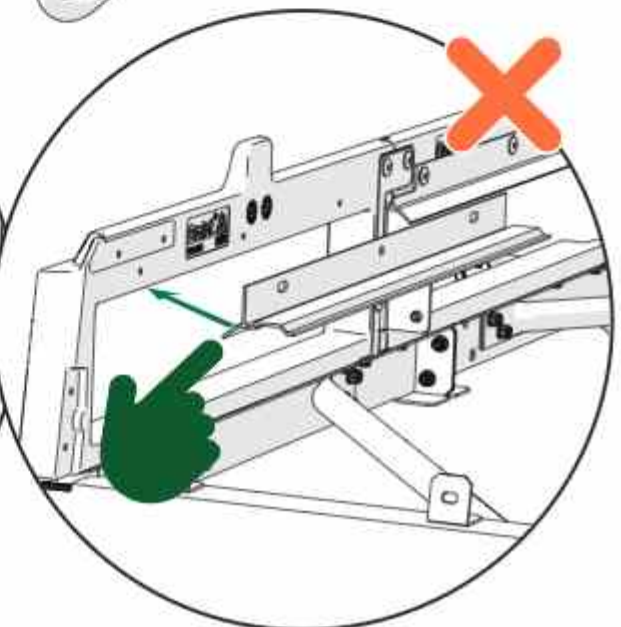
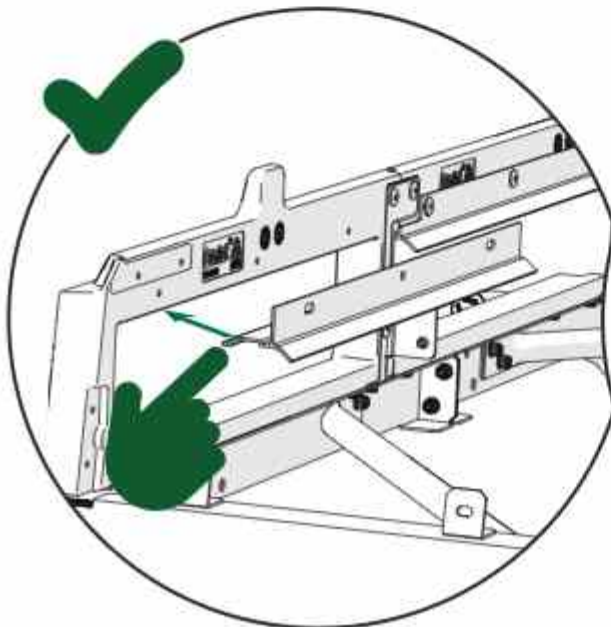
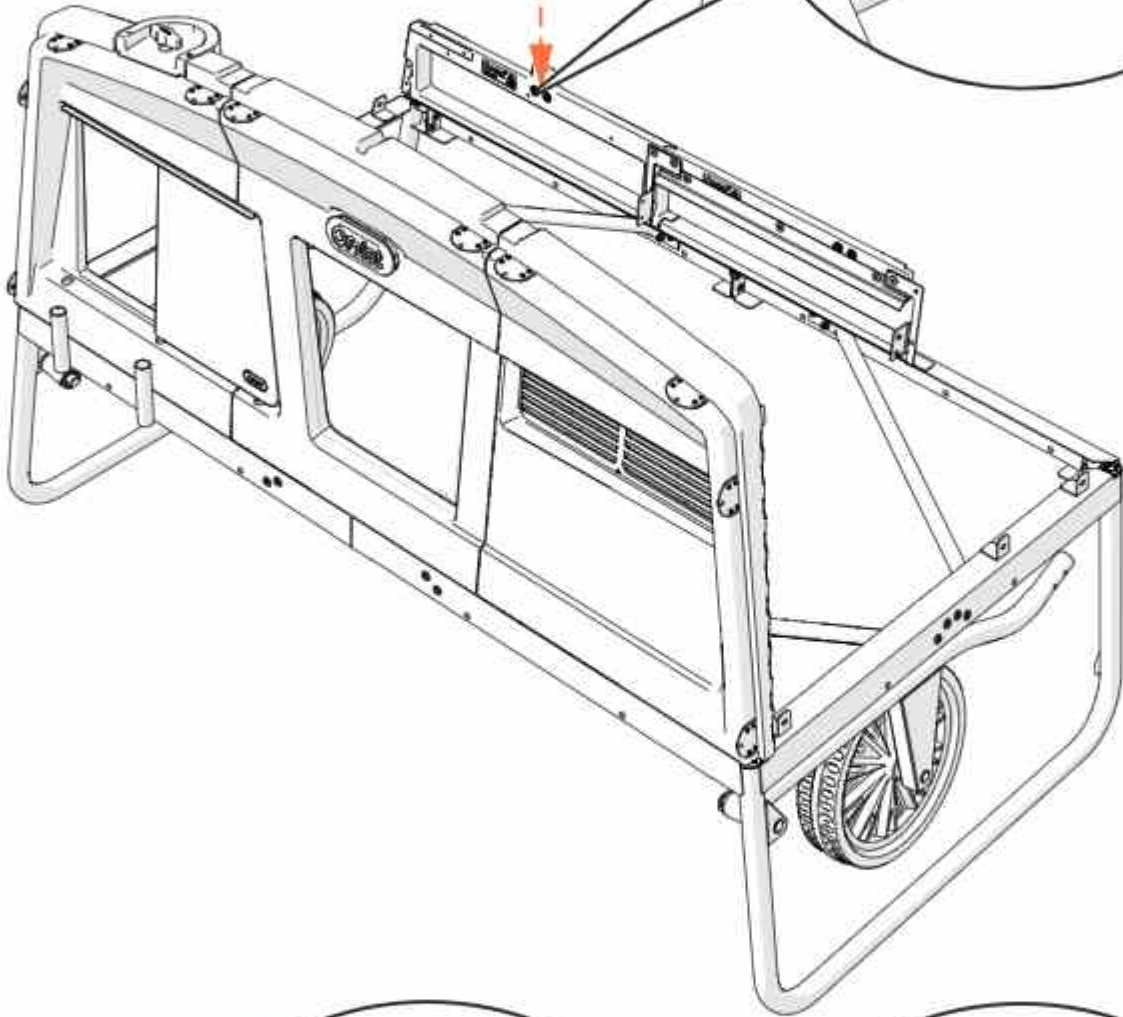
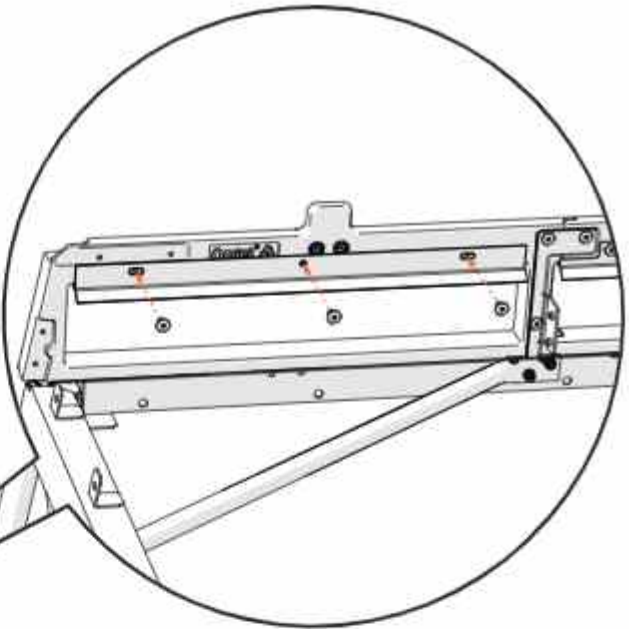
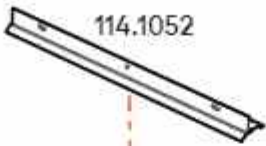
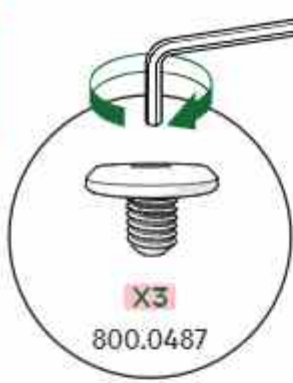
24

Box E



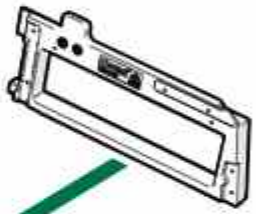
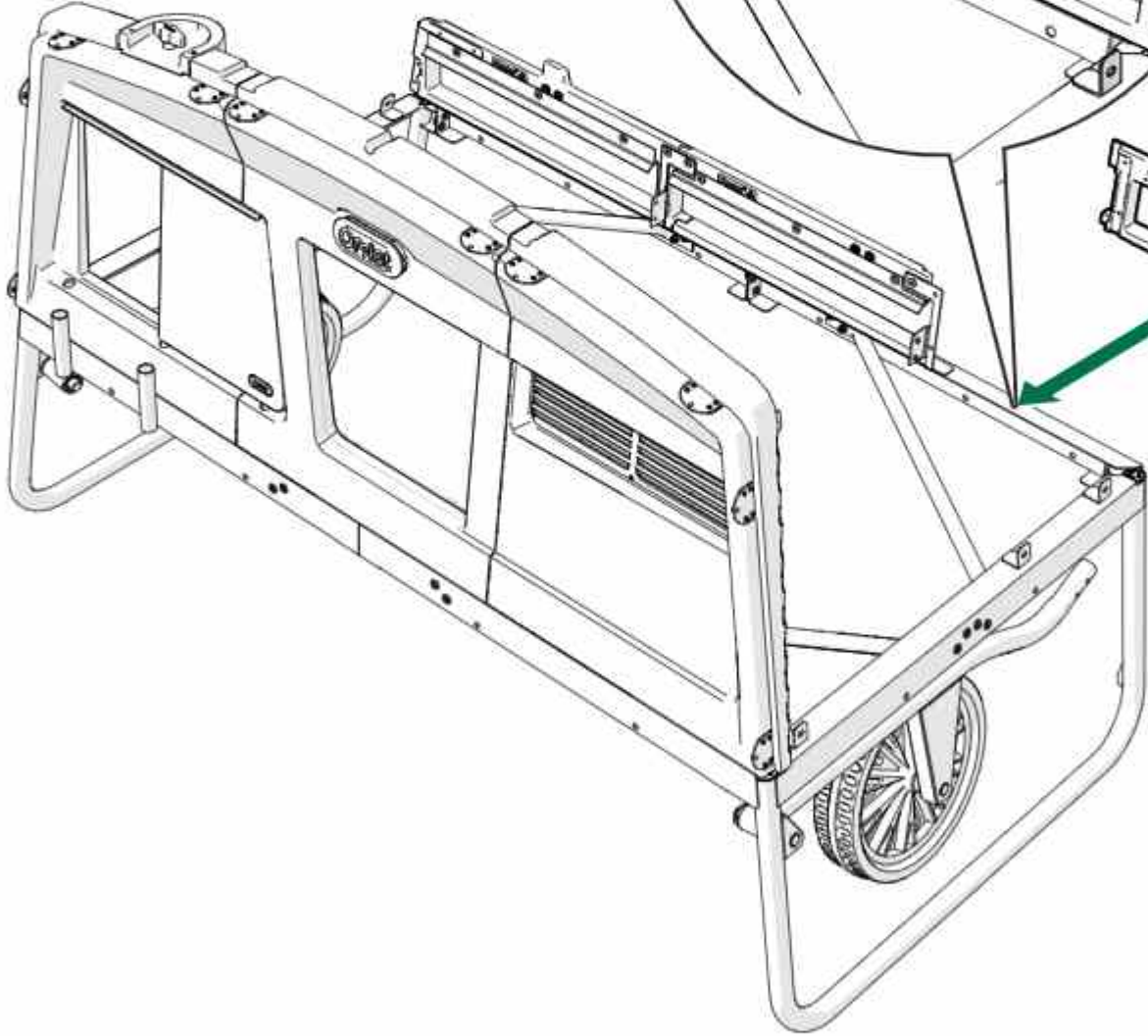
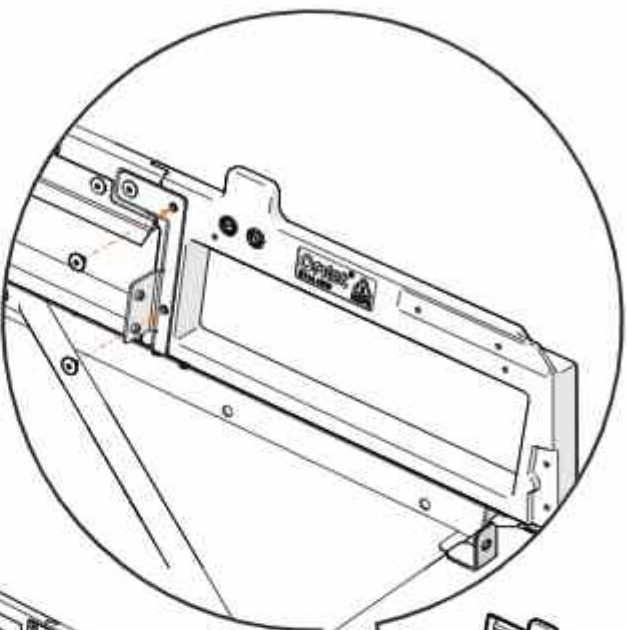
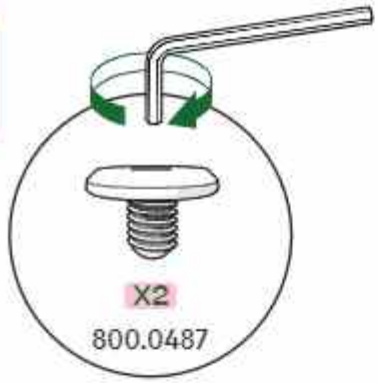
25

Box B



26

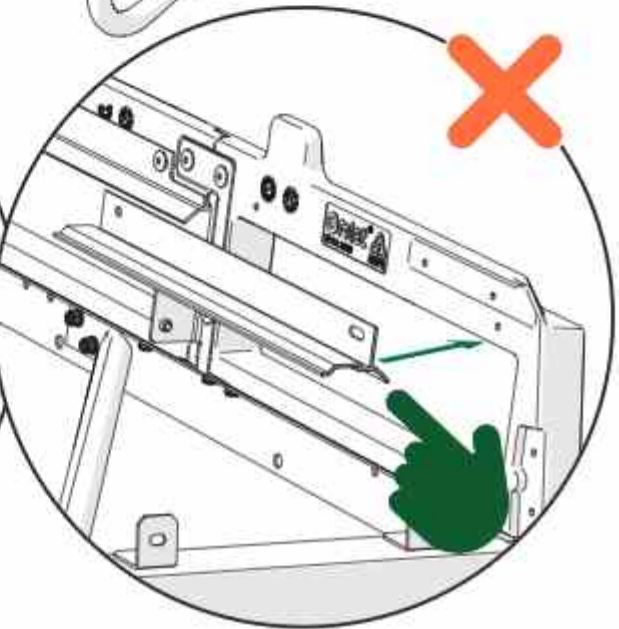
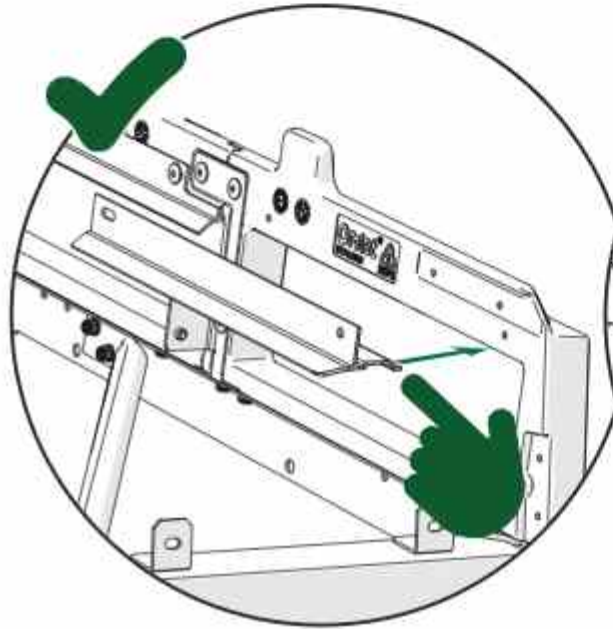
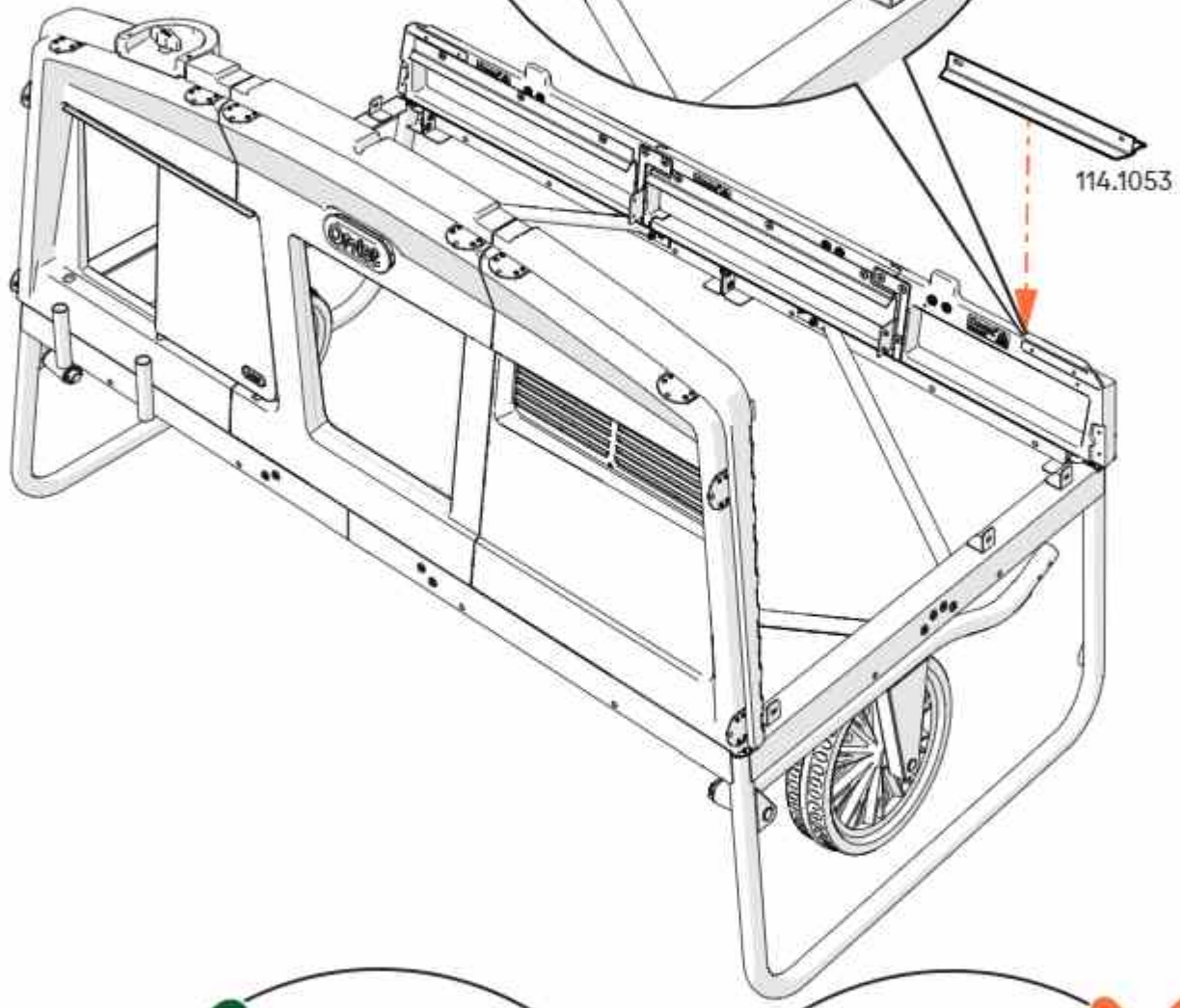
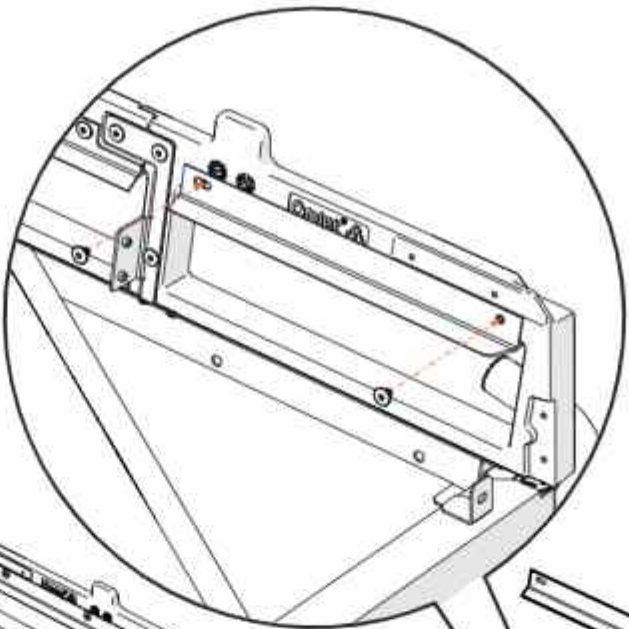
Box E

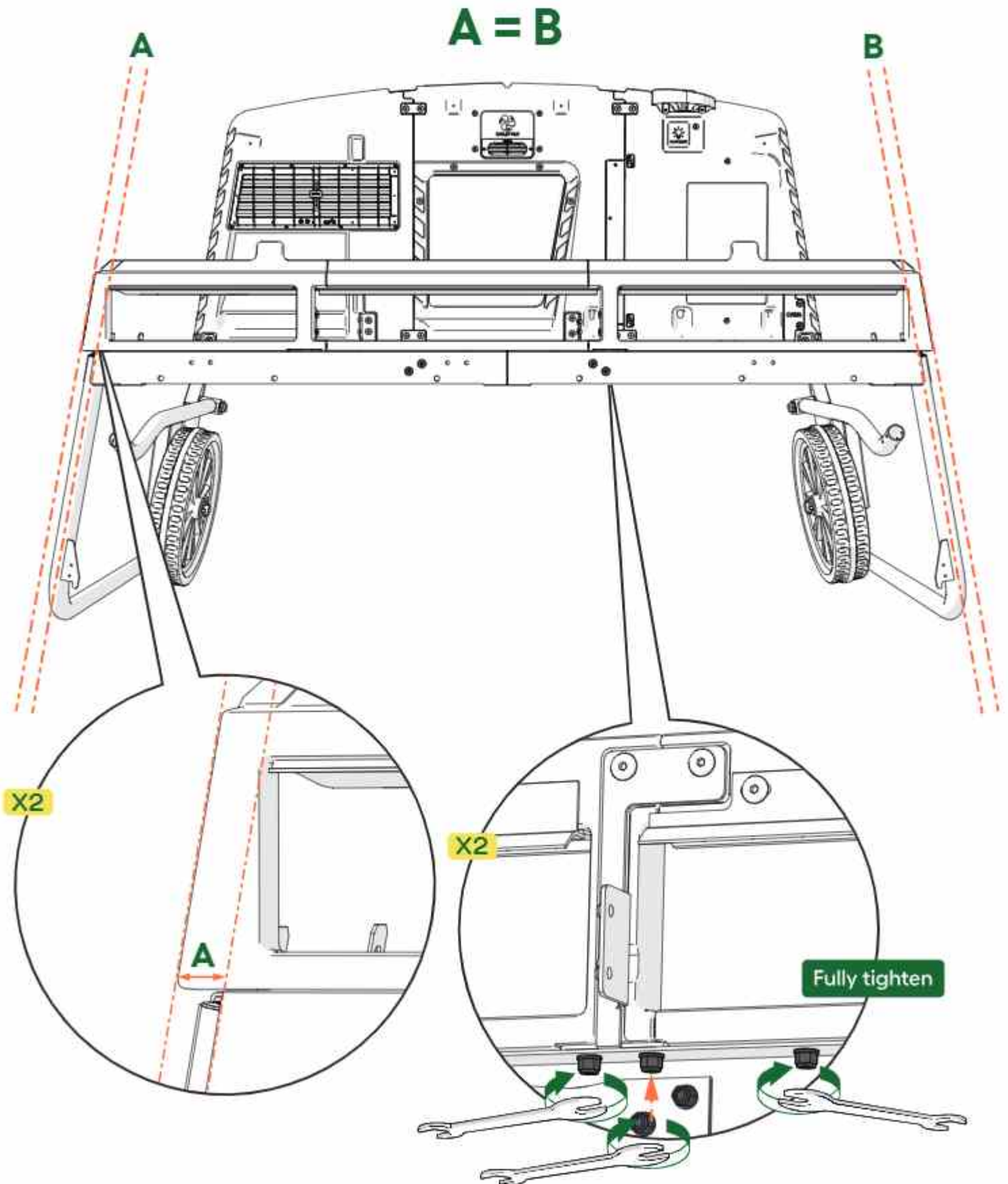


114.1009

27

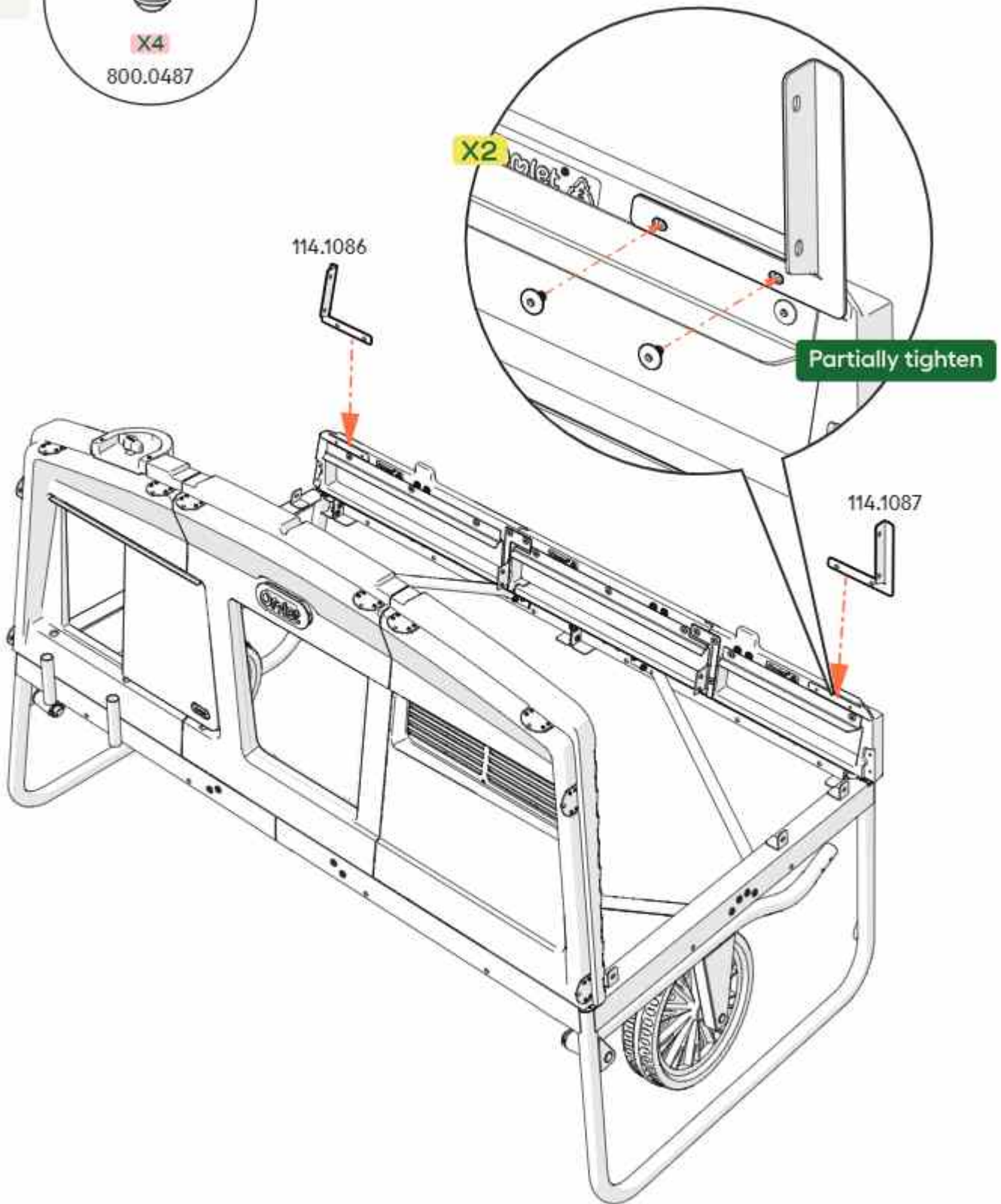
Box B





29

Brackets
Pack

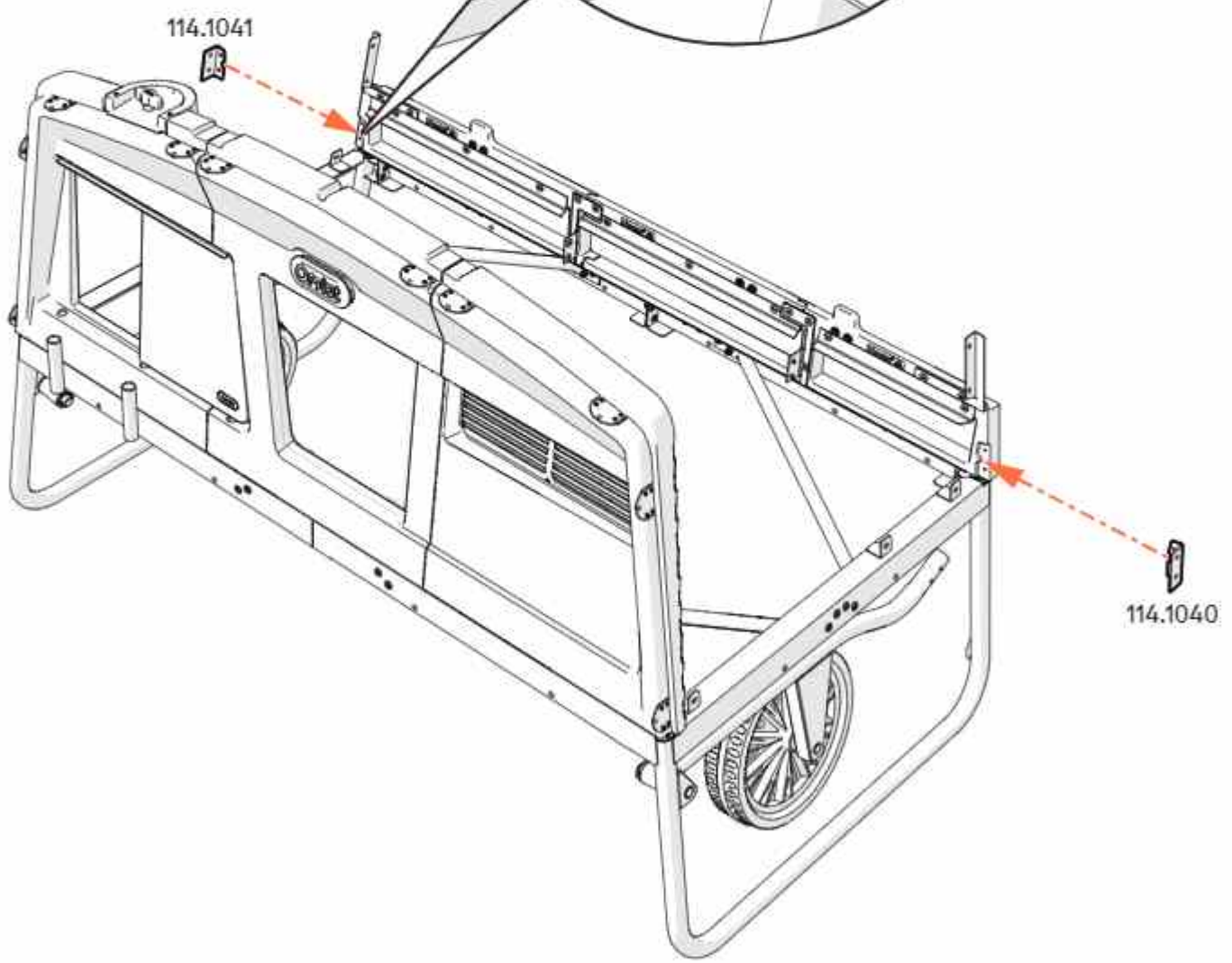
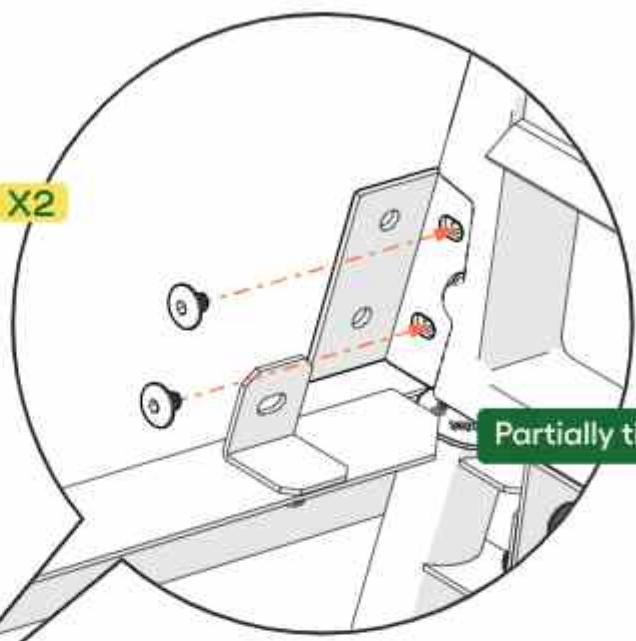


30

Brackets
Pack

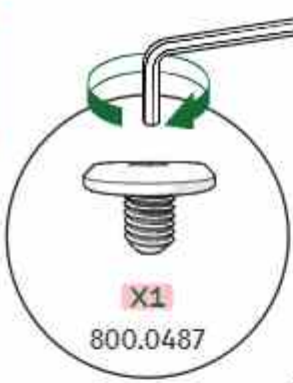


X2



31

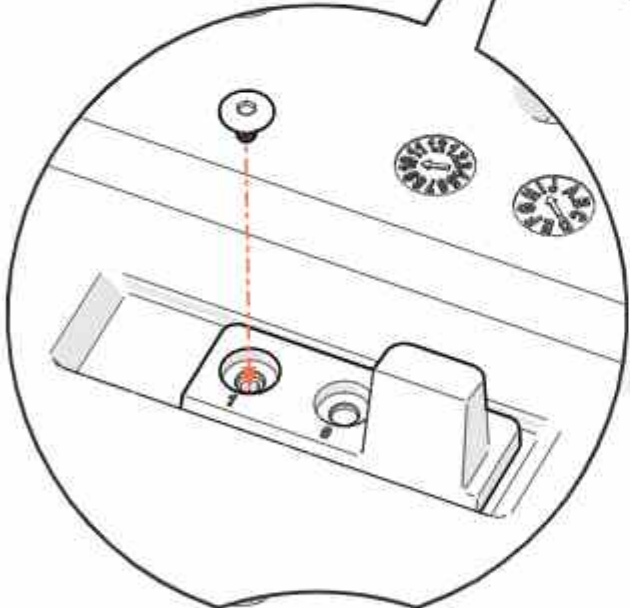
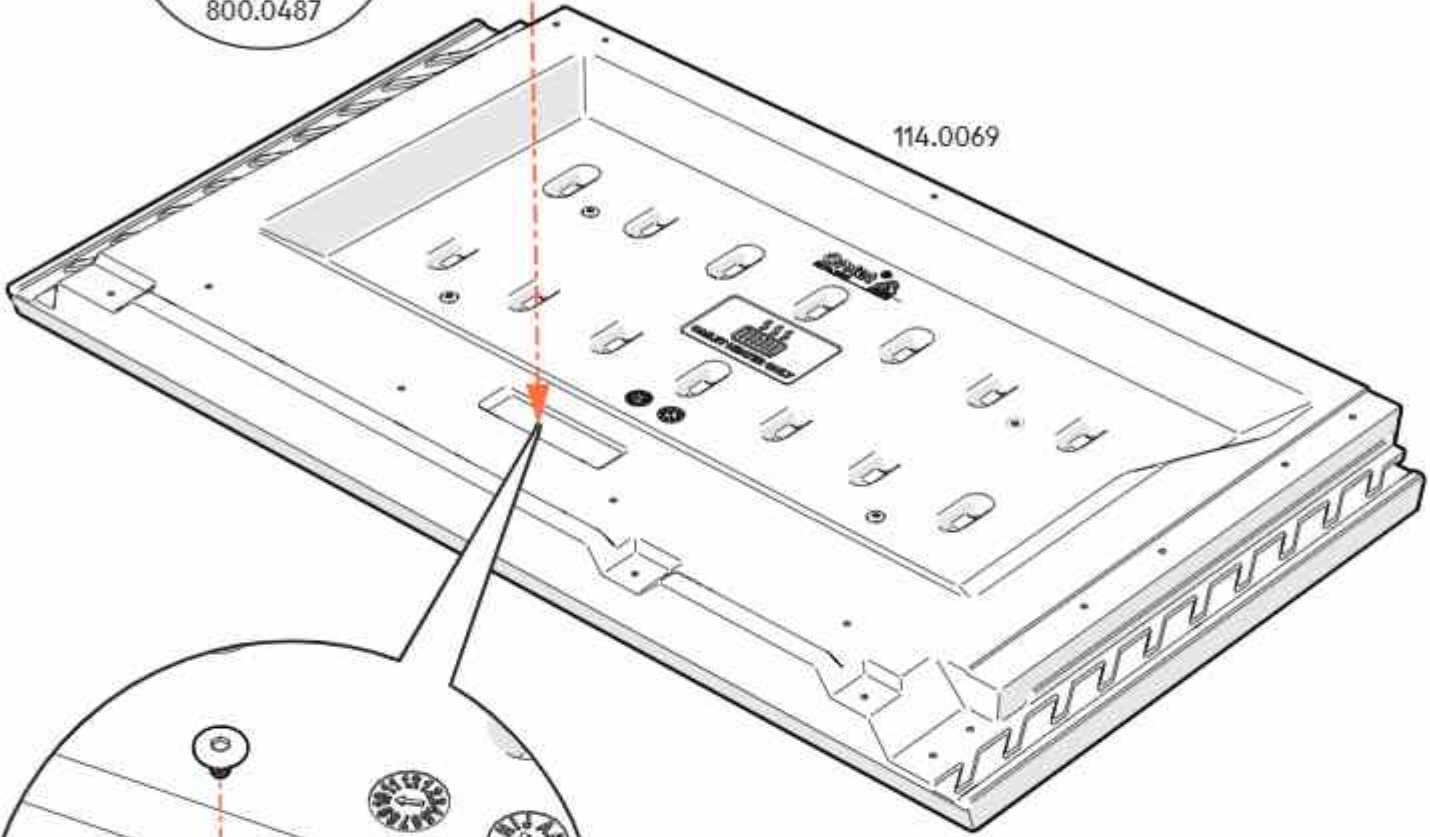
Box C



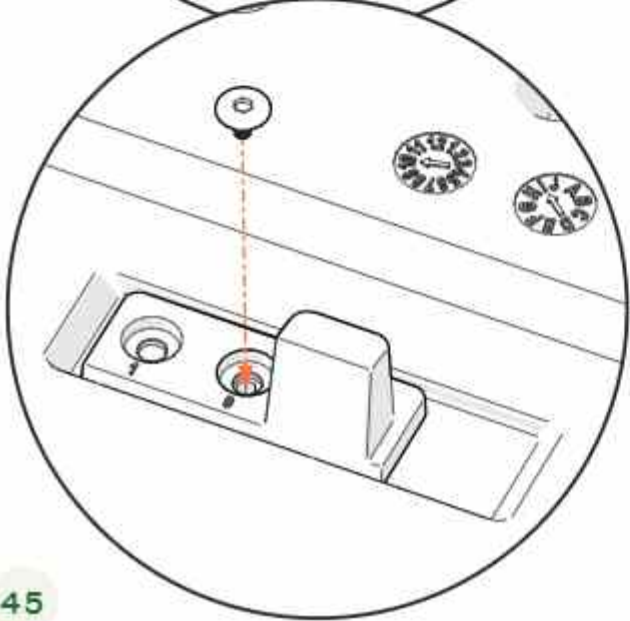
064.1143



114.0069

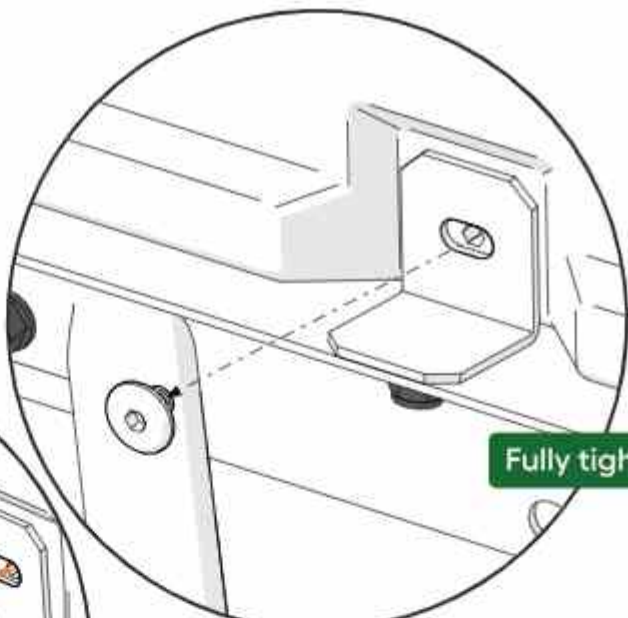
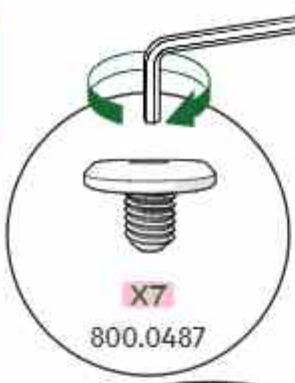


If you have an Autodoor use this position

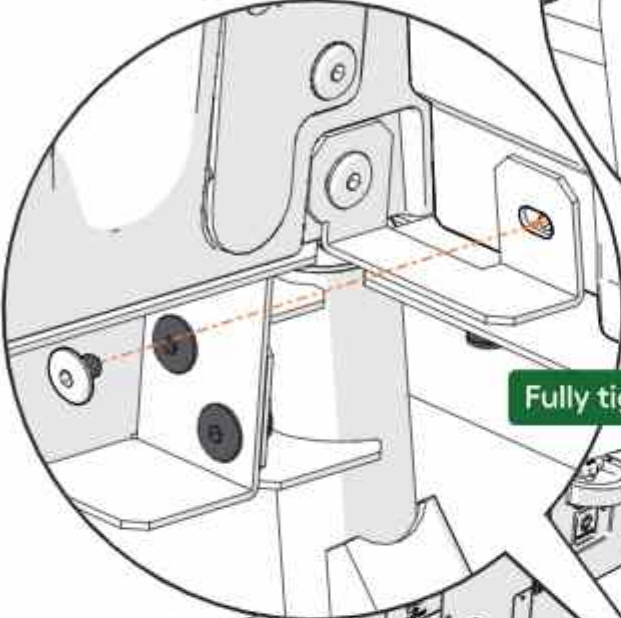


If you do not have an Autodoor use this position

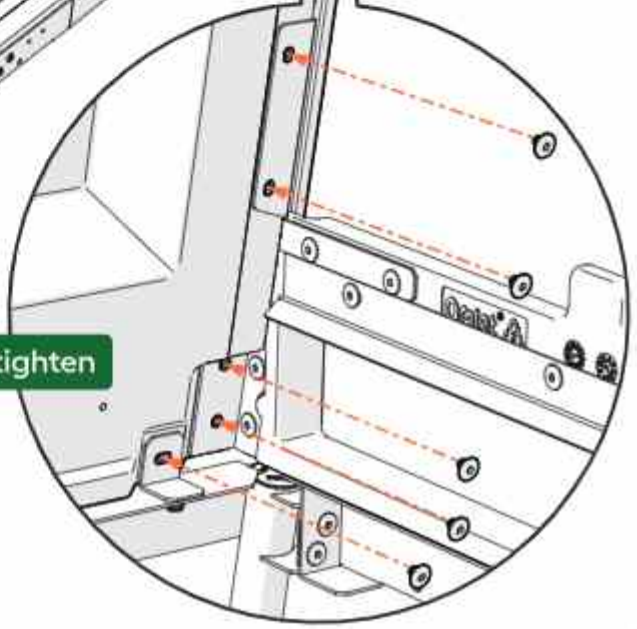
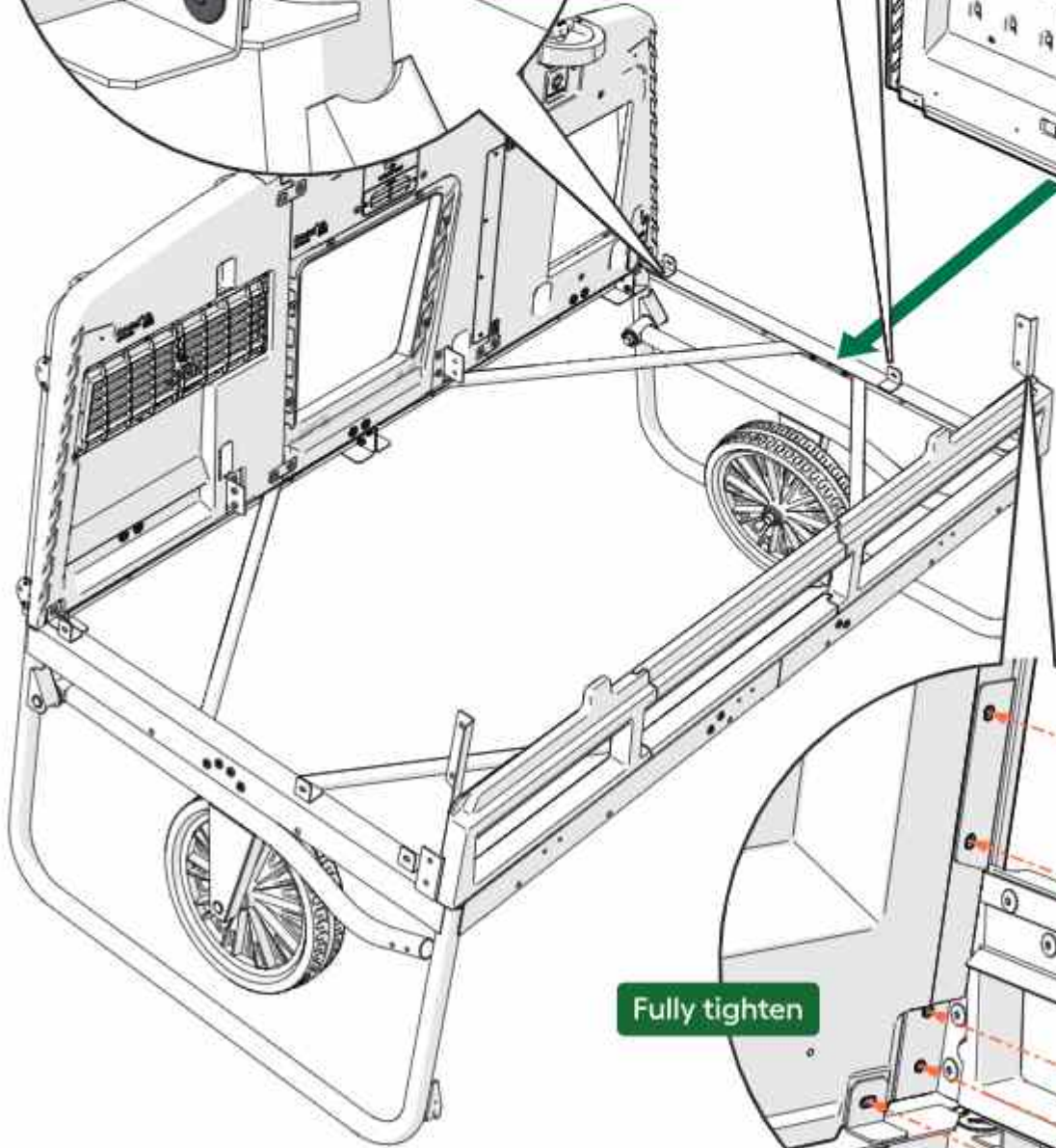
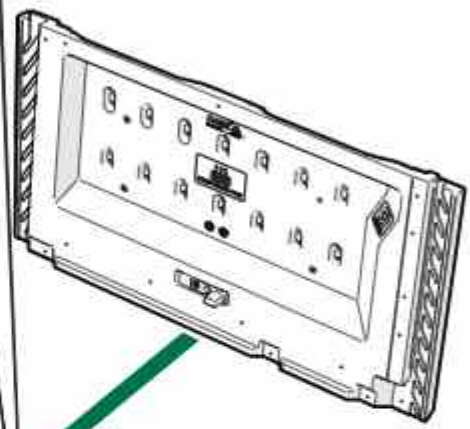
32



Fully tighten



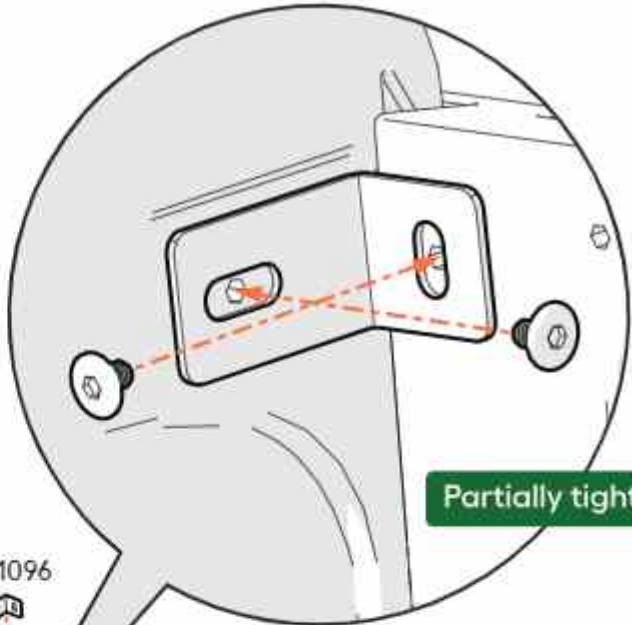
Fully tighten



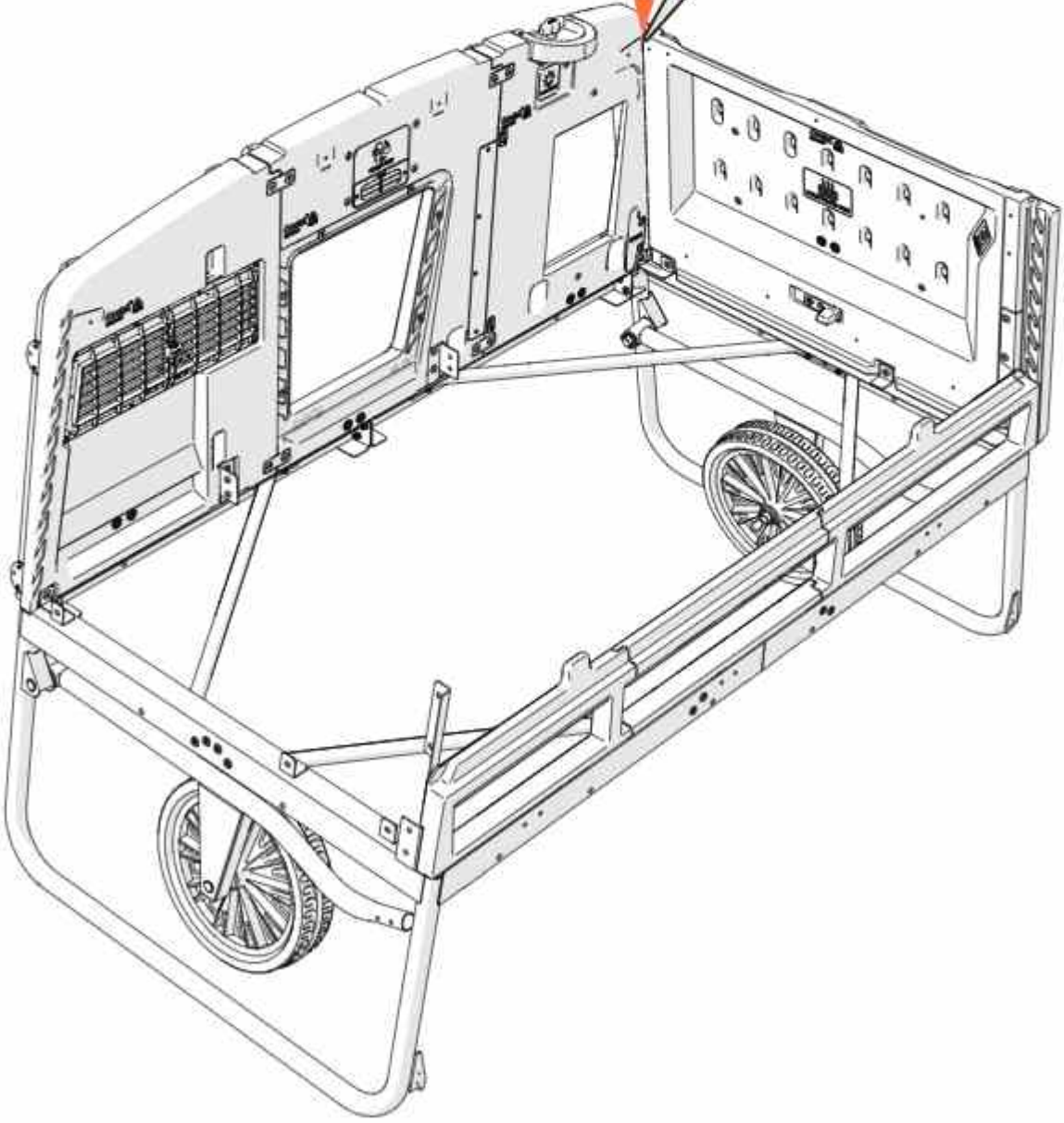
Fully tighten

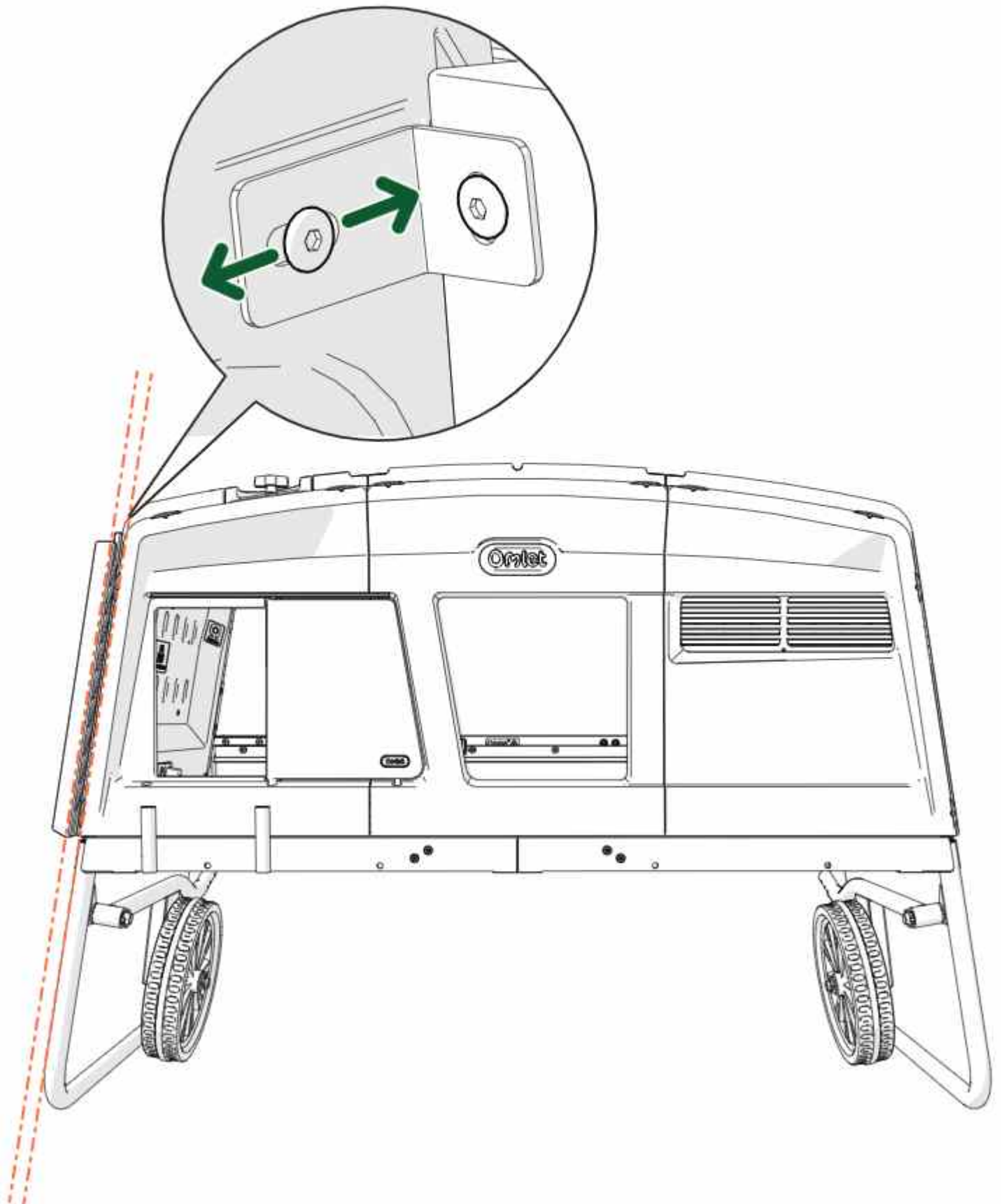
33

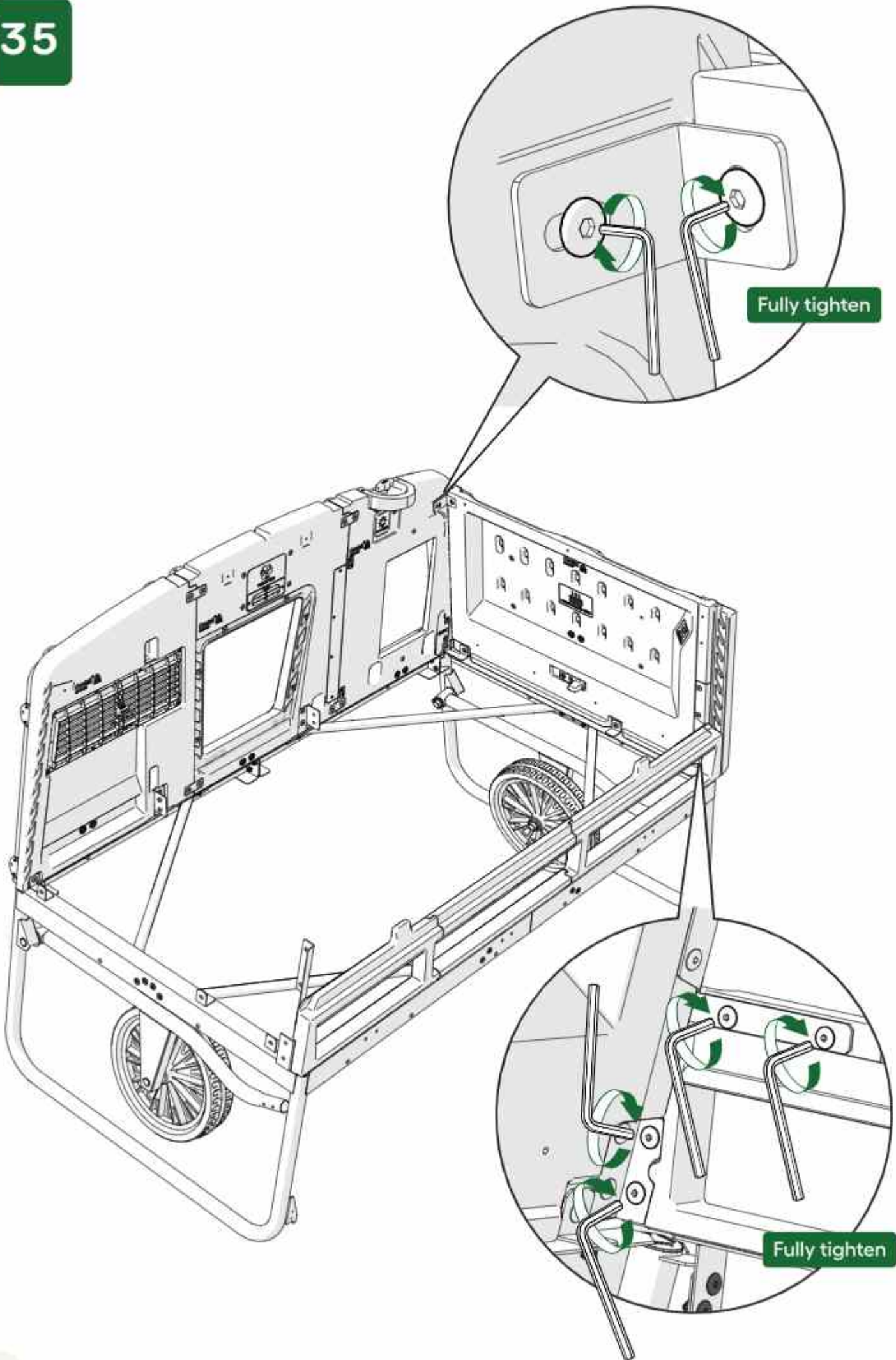
Brackets
Pack

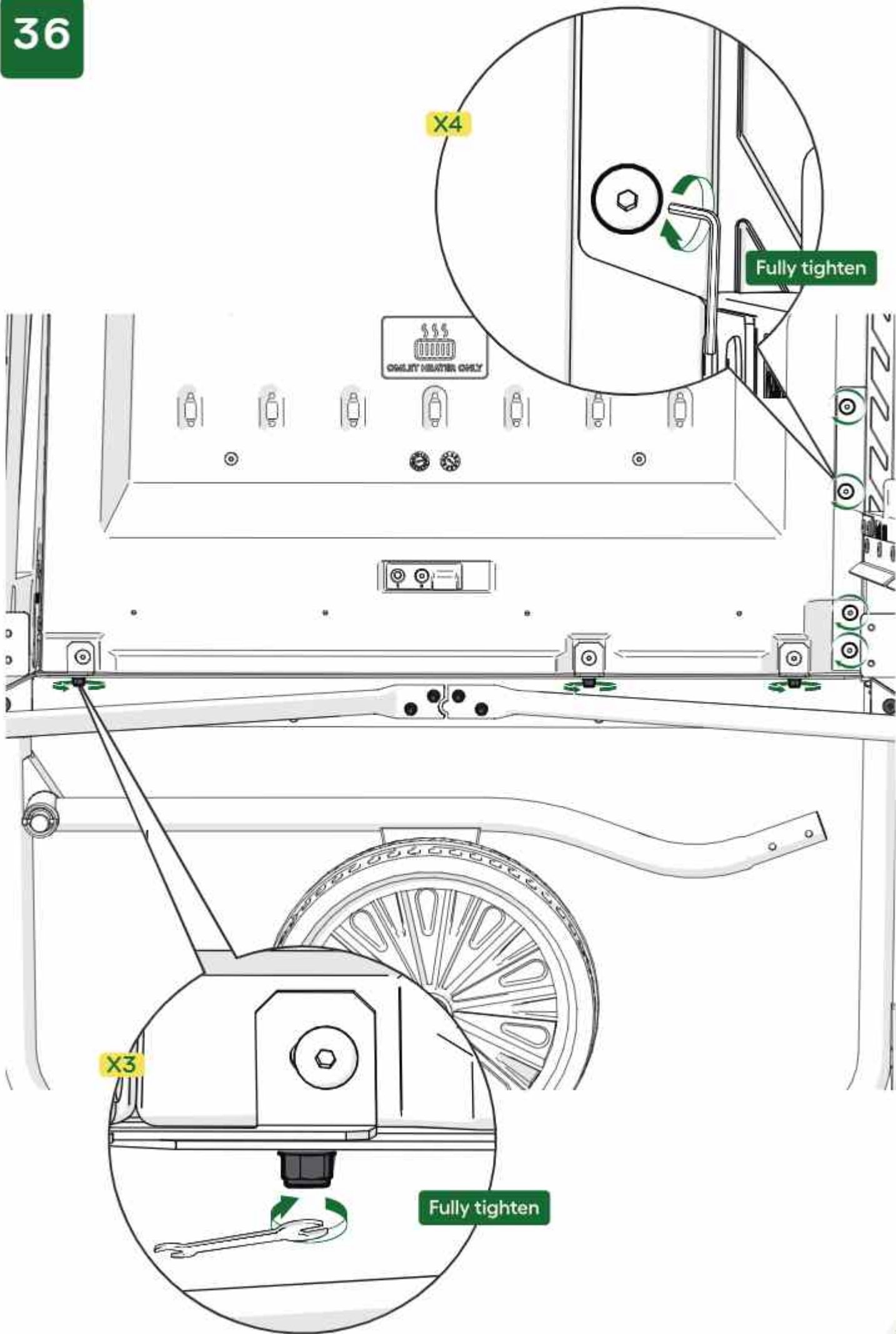


114.1096



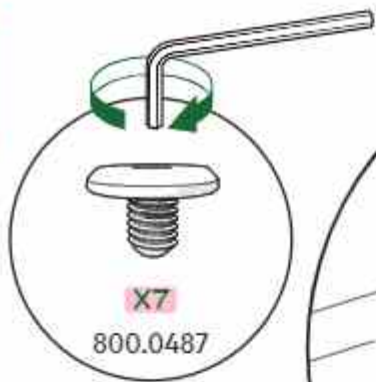






37

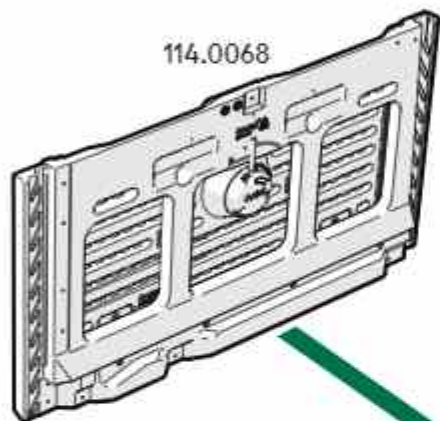
Box C



Fully tighten

Fully tighten

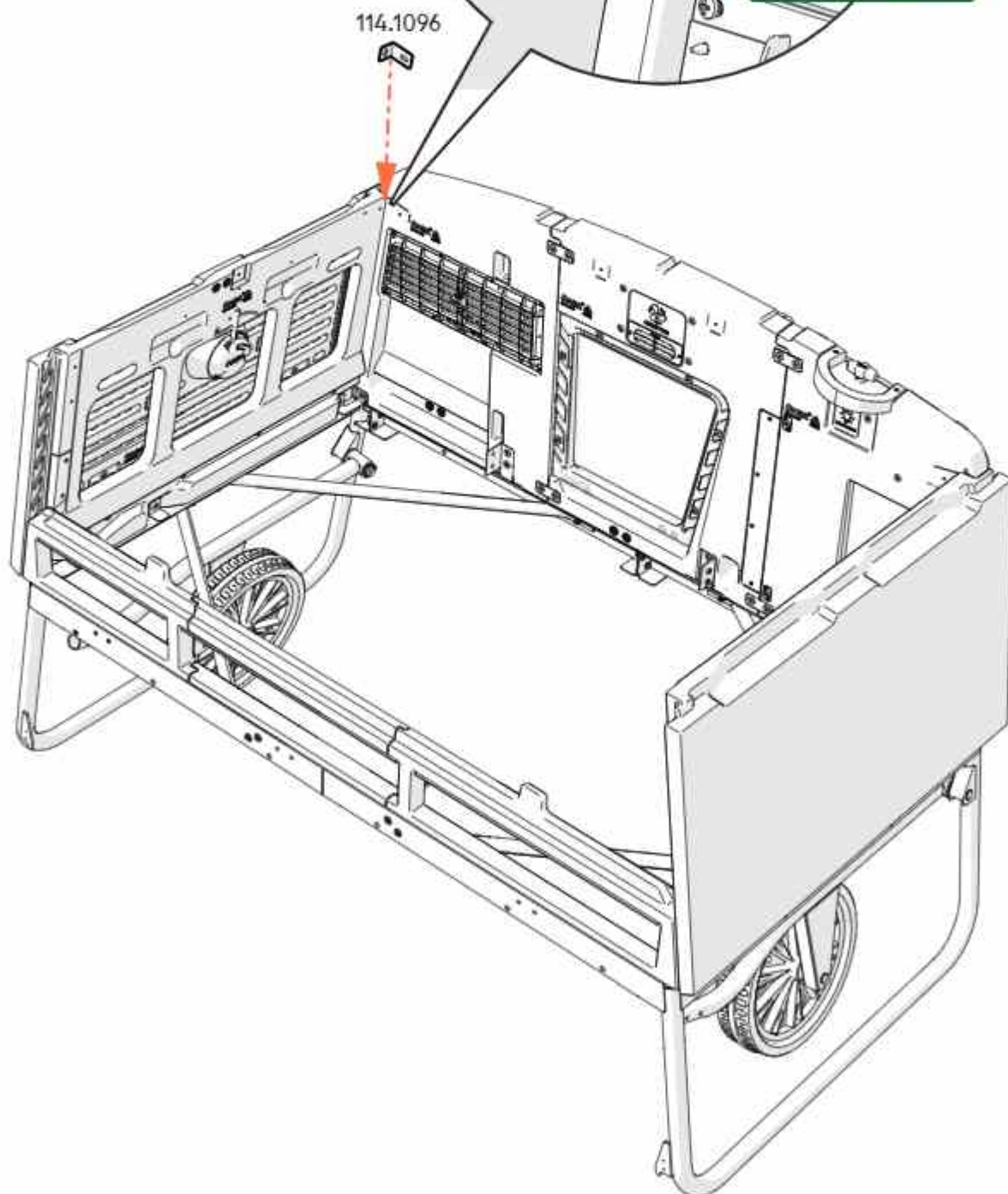
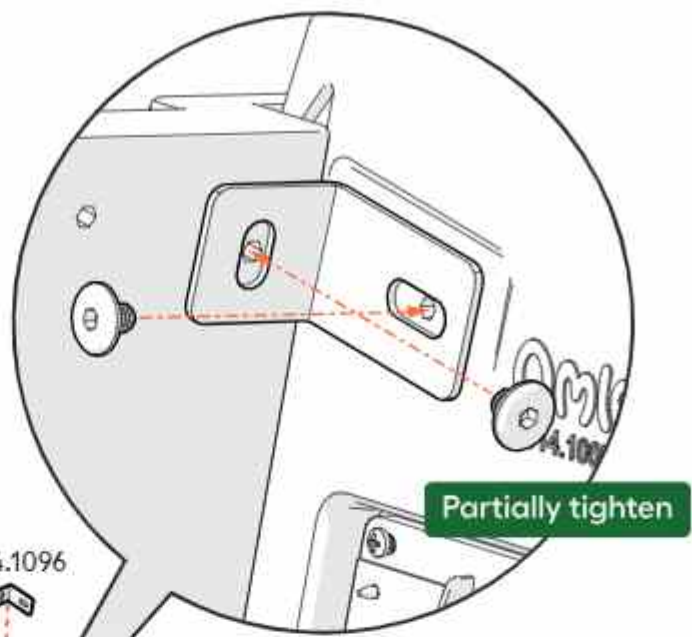
114.0068

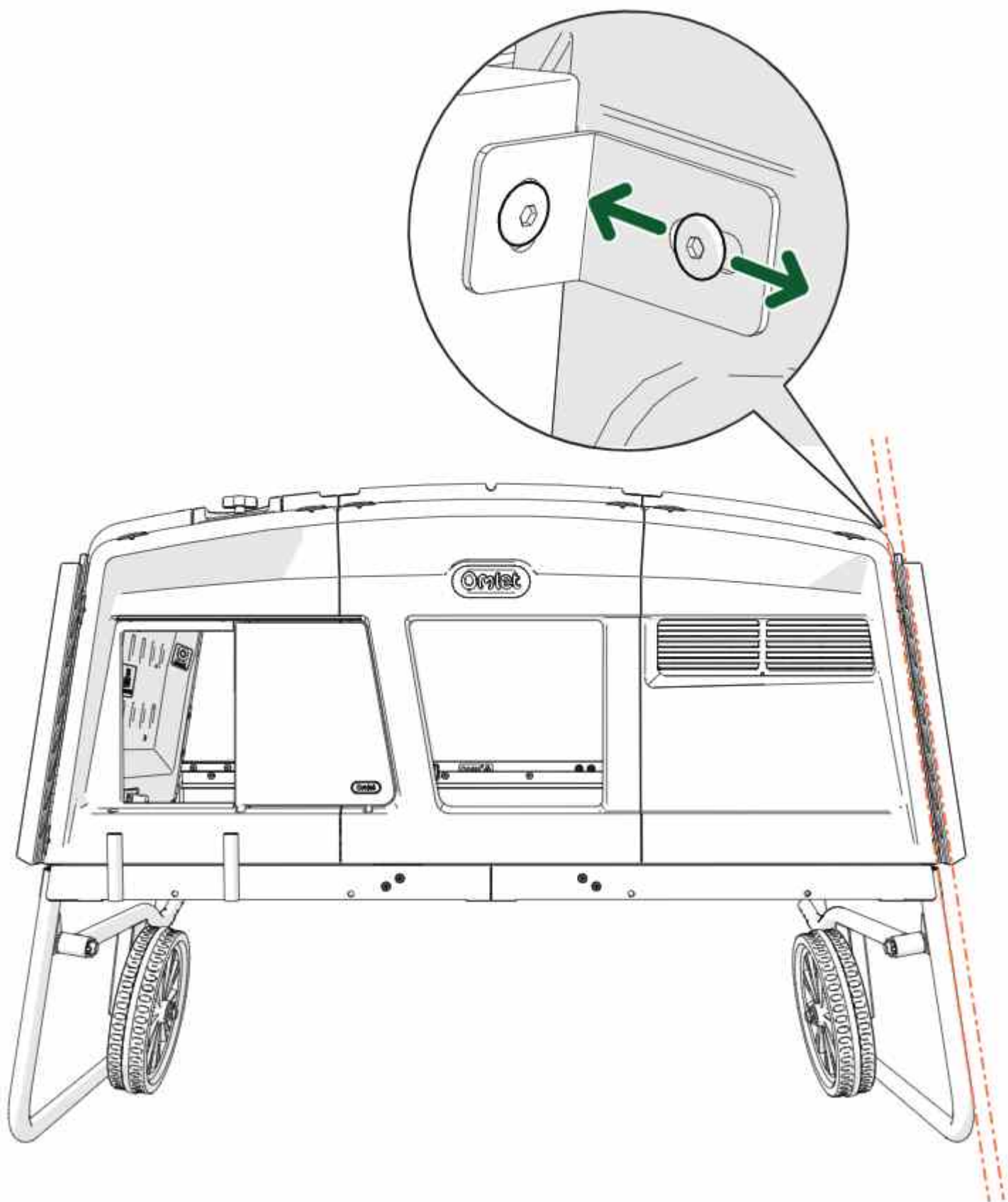


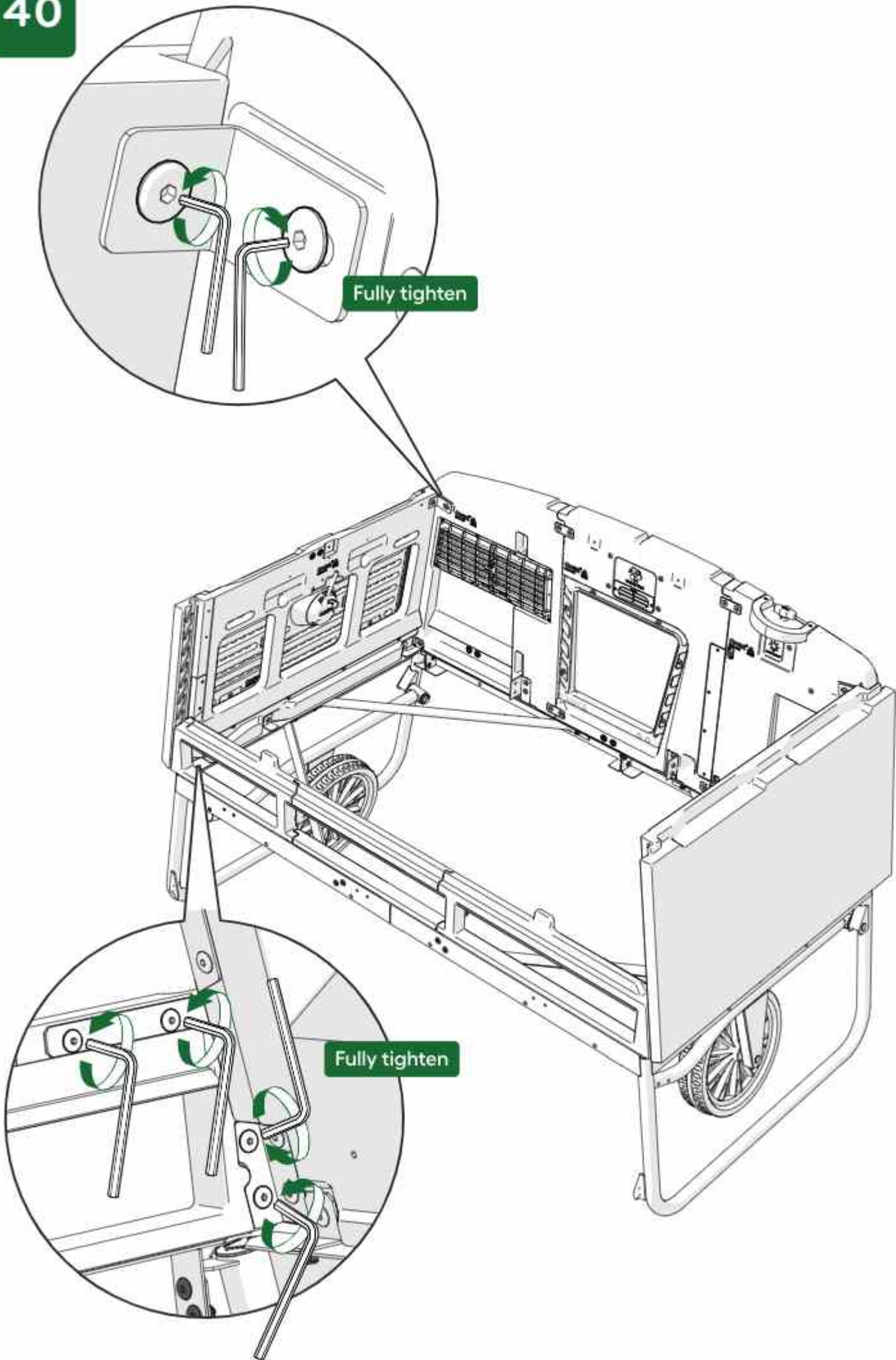
Fully tighten

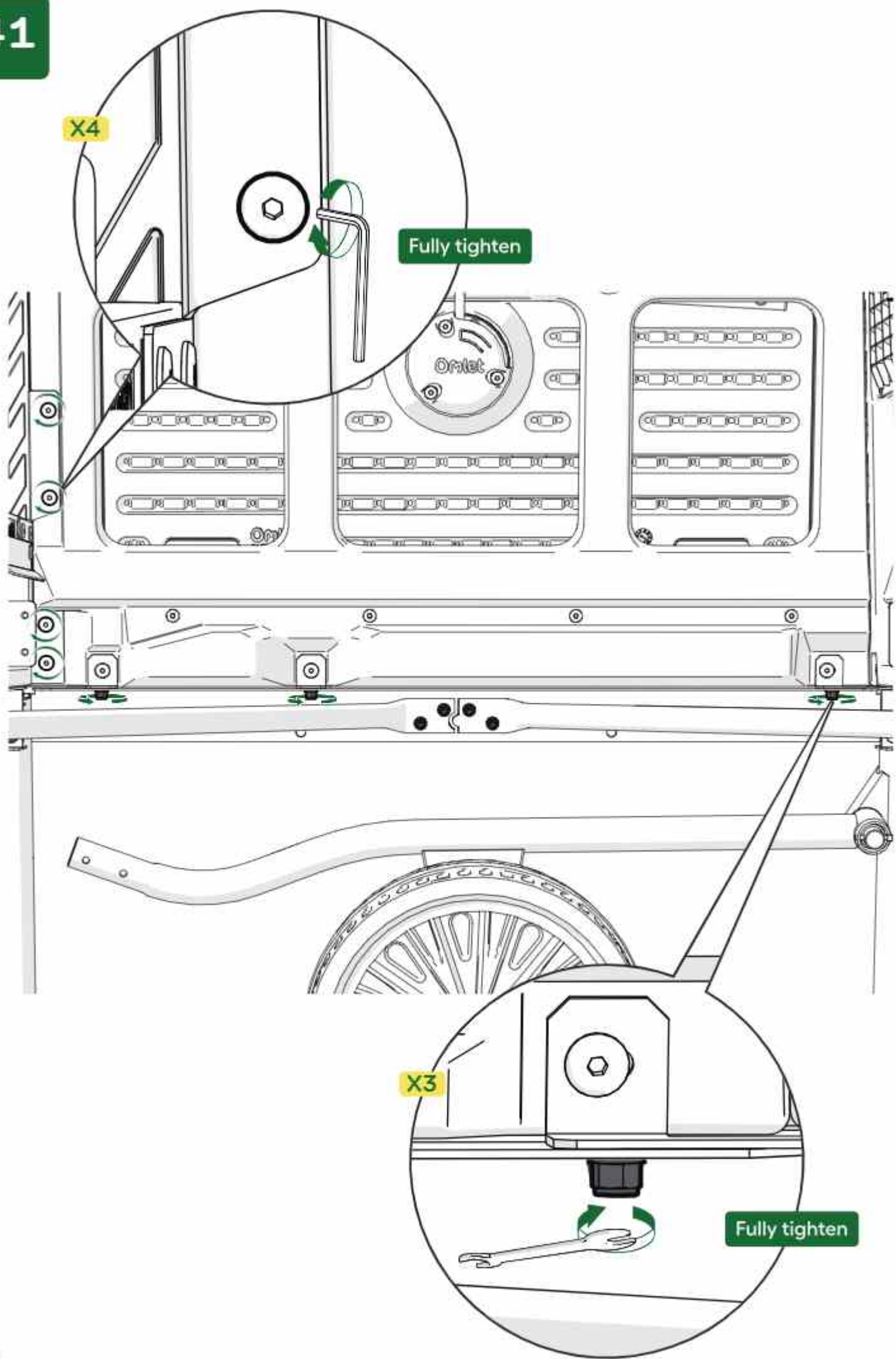
38

Brackets
Pack



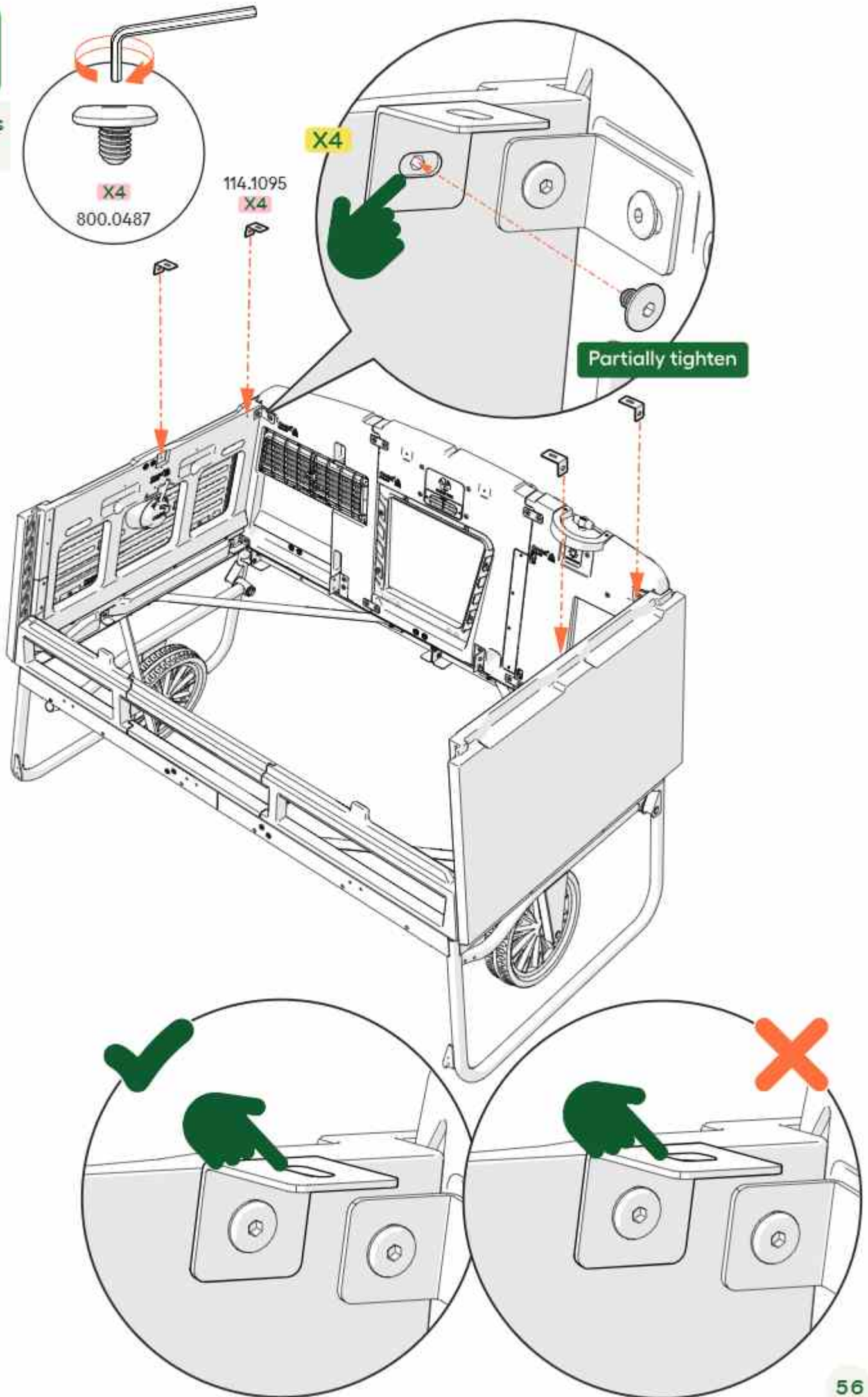


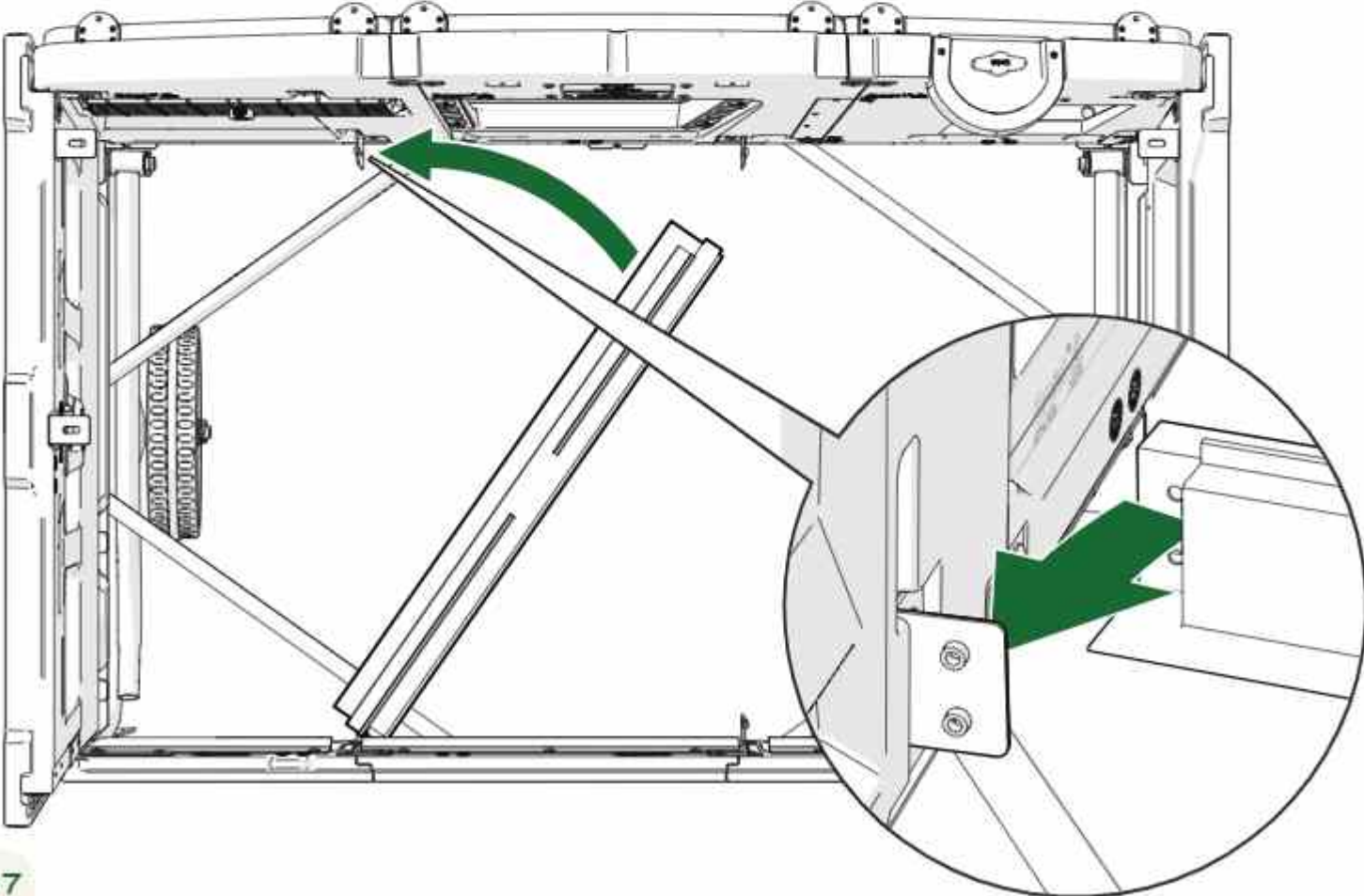
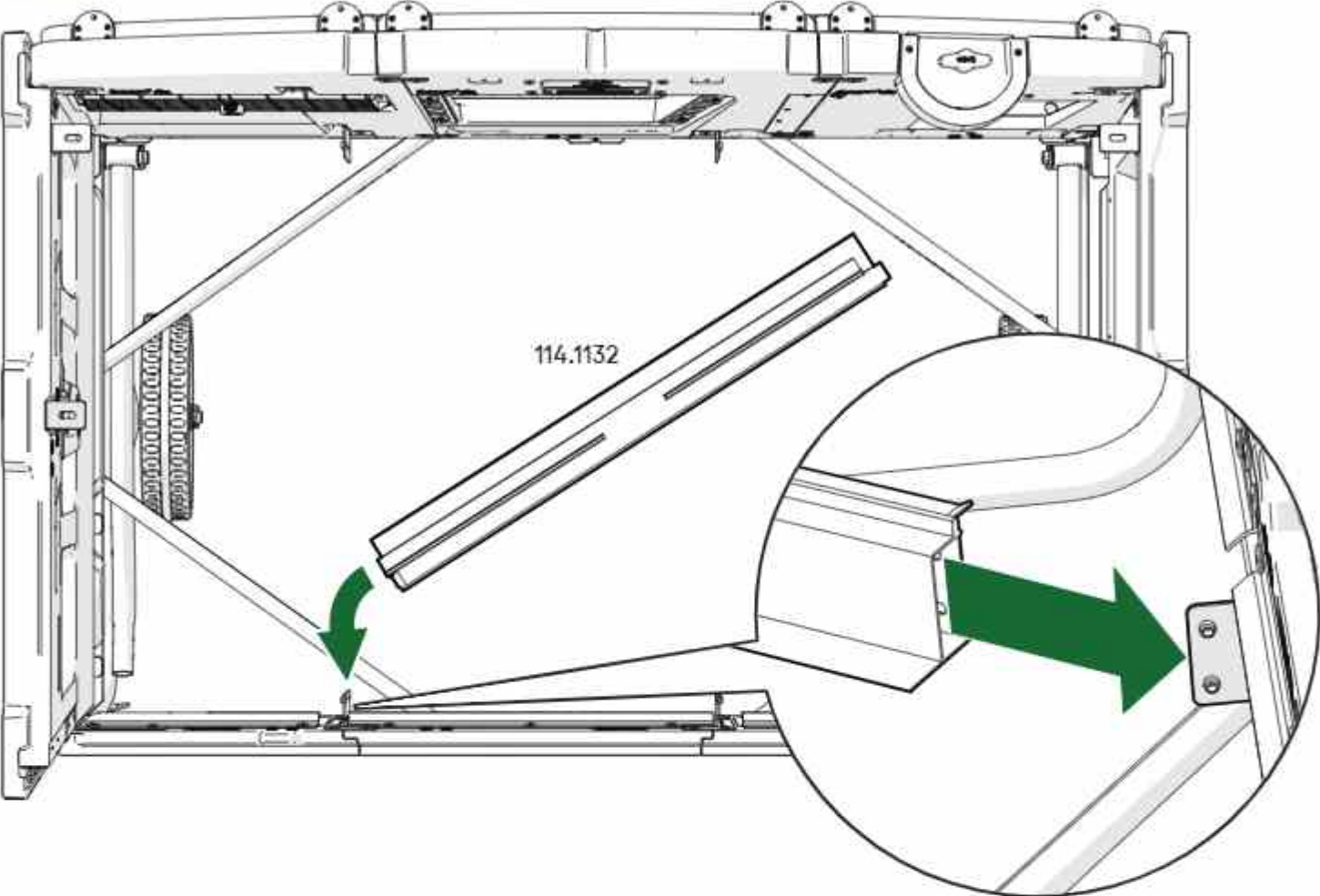




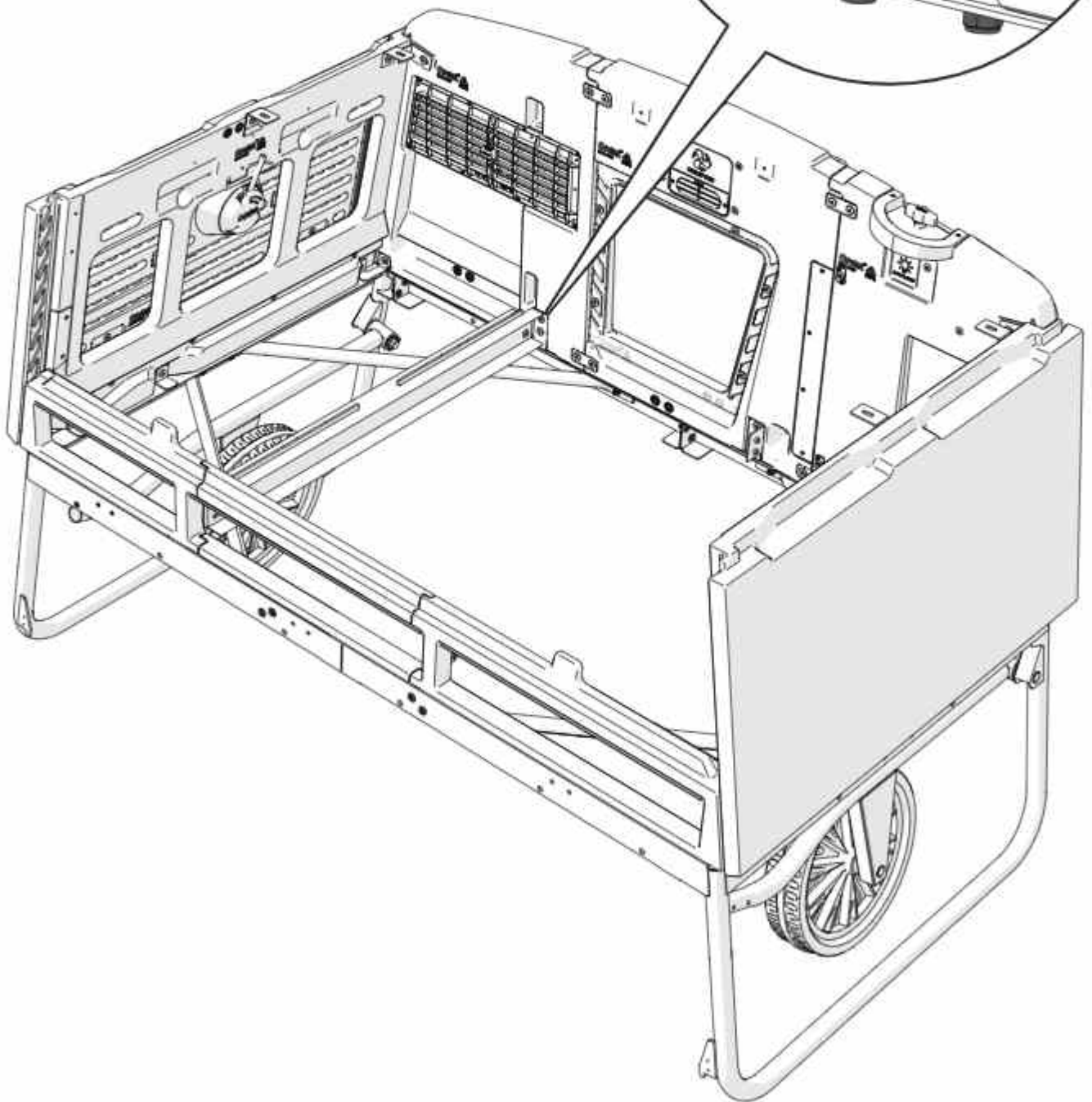
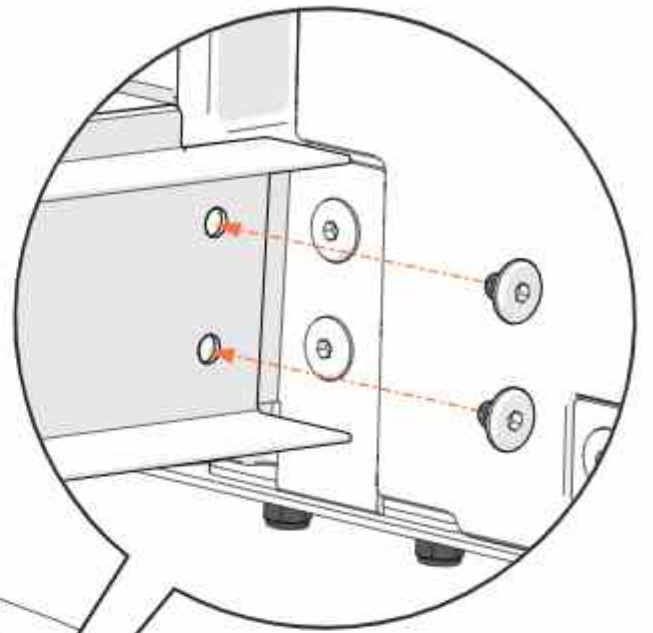
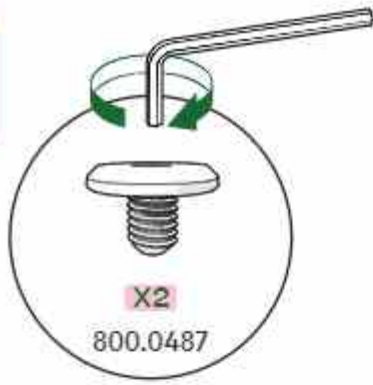
42

Brackets
Pack

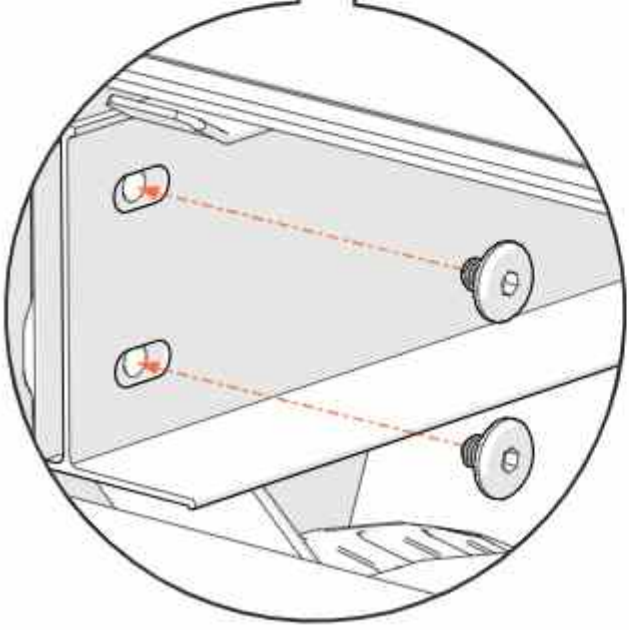
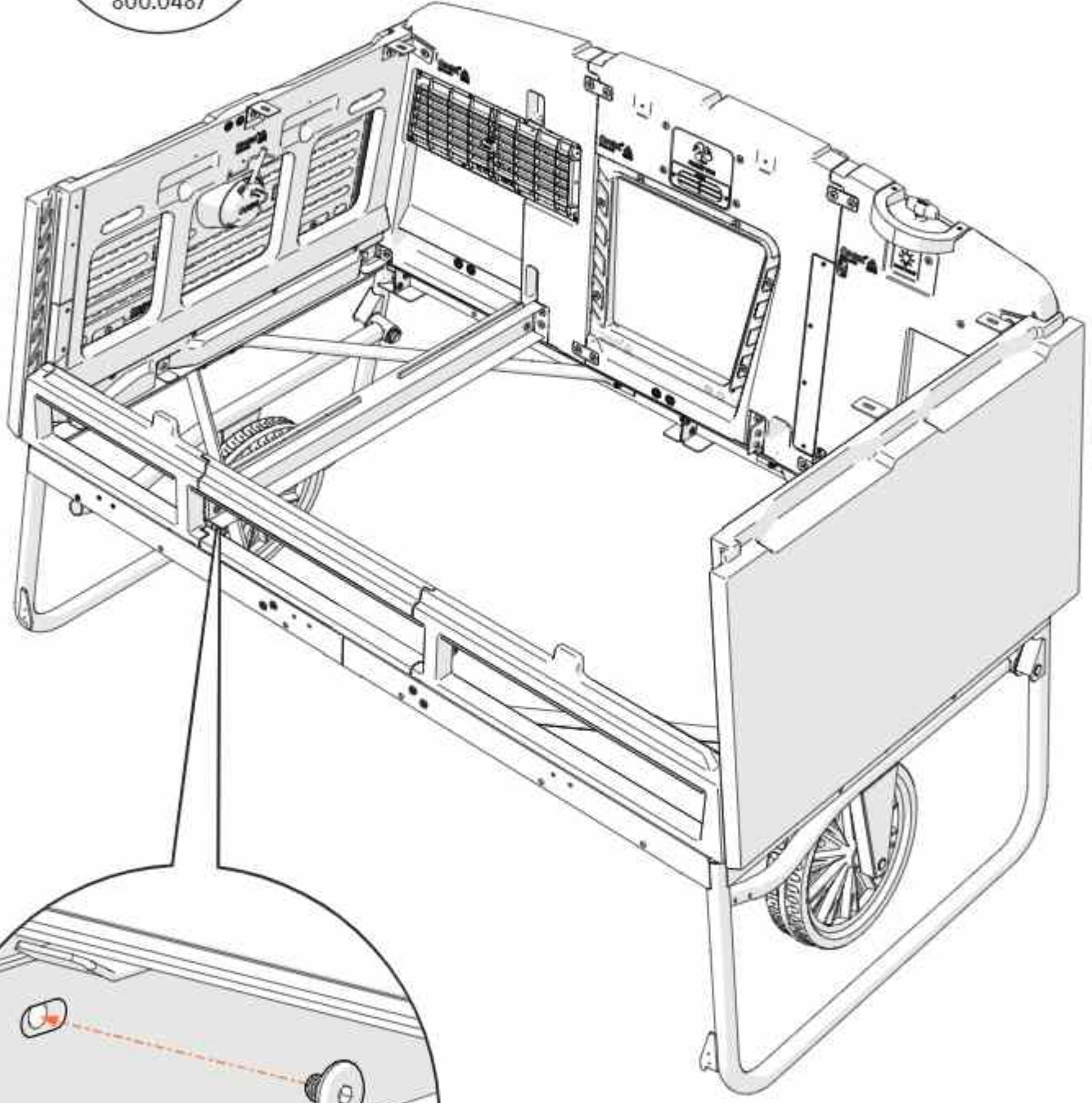


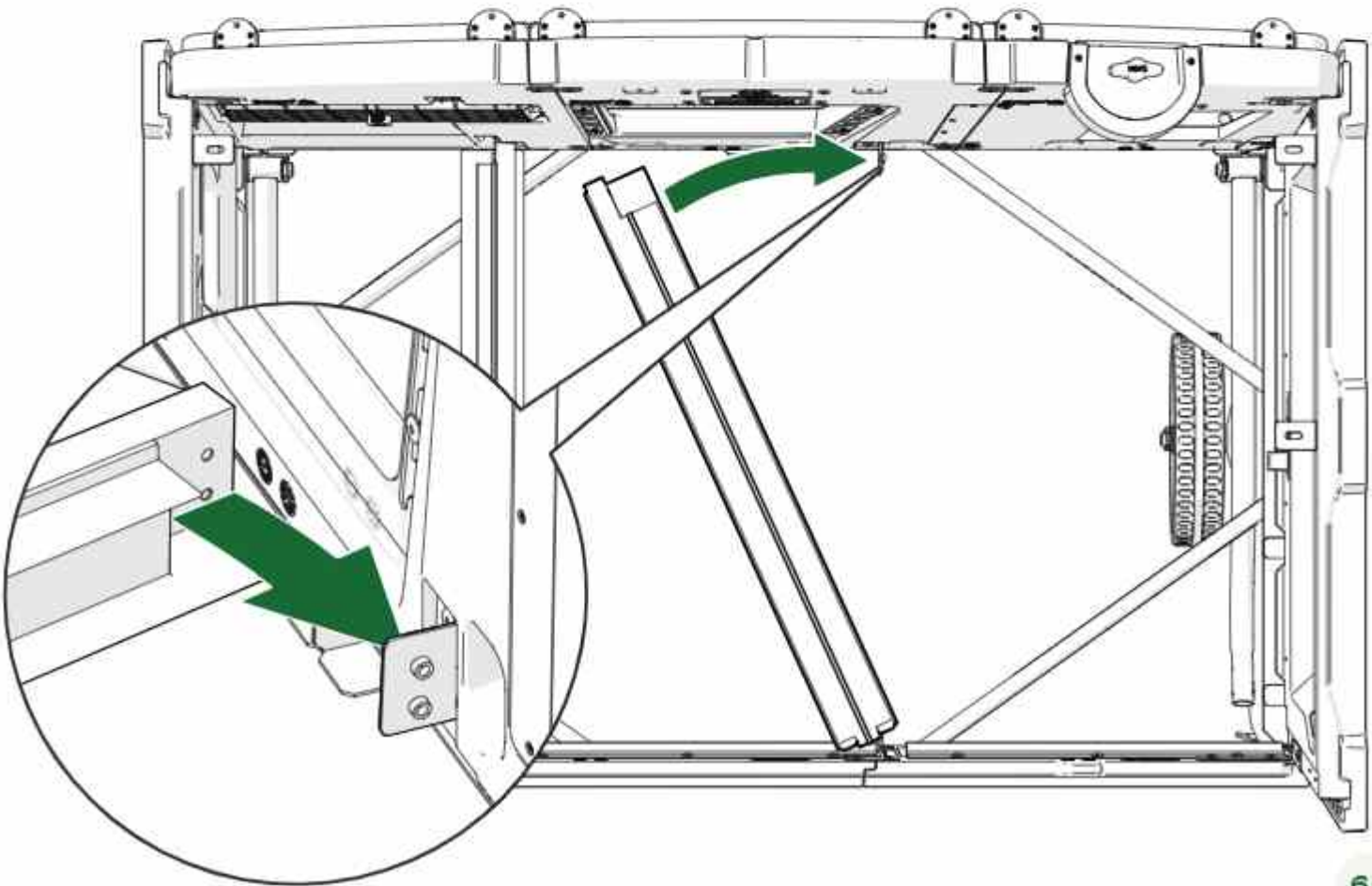
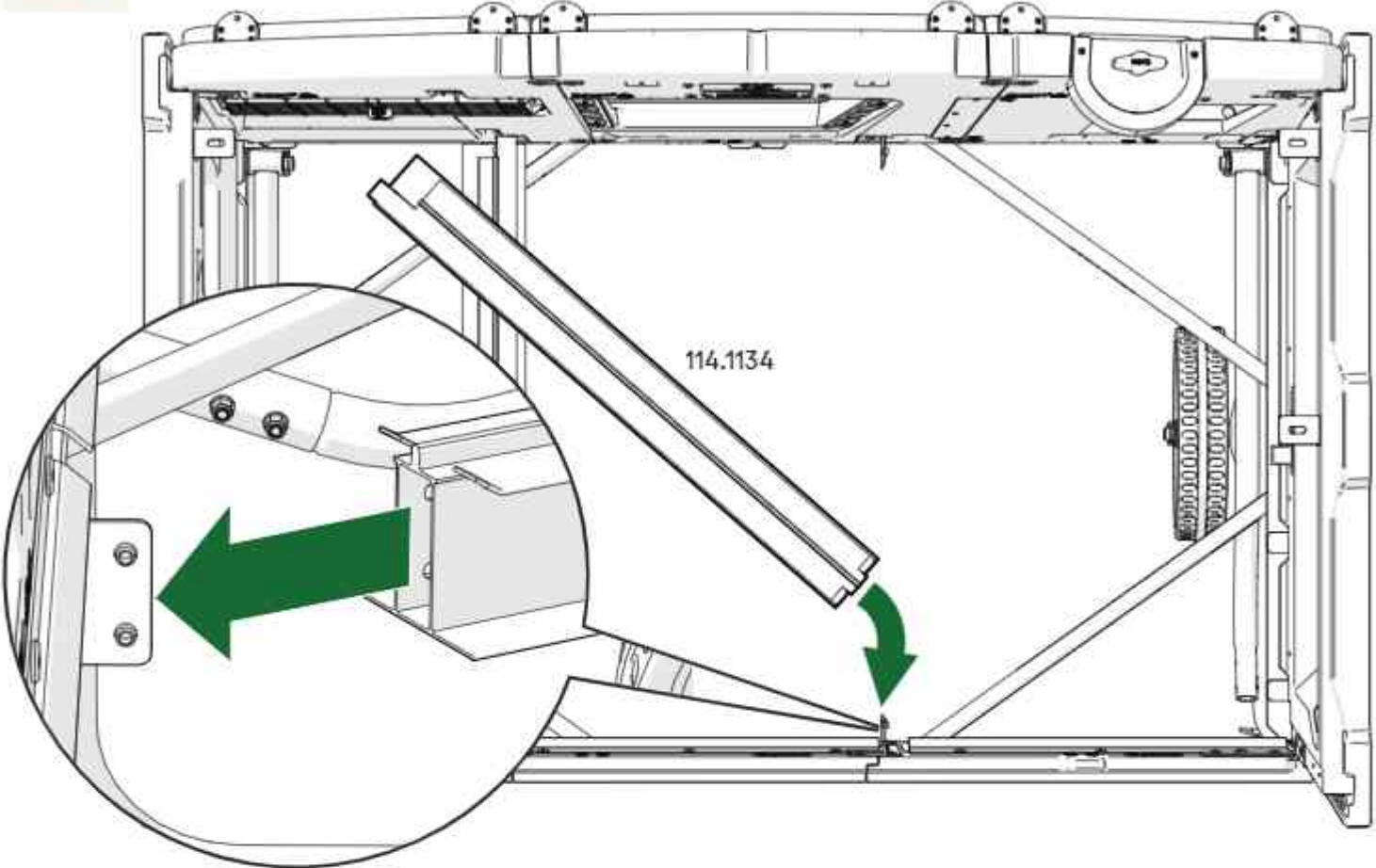


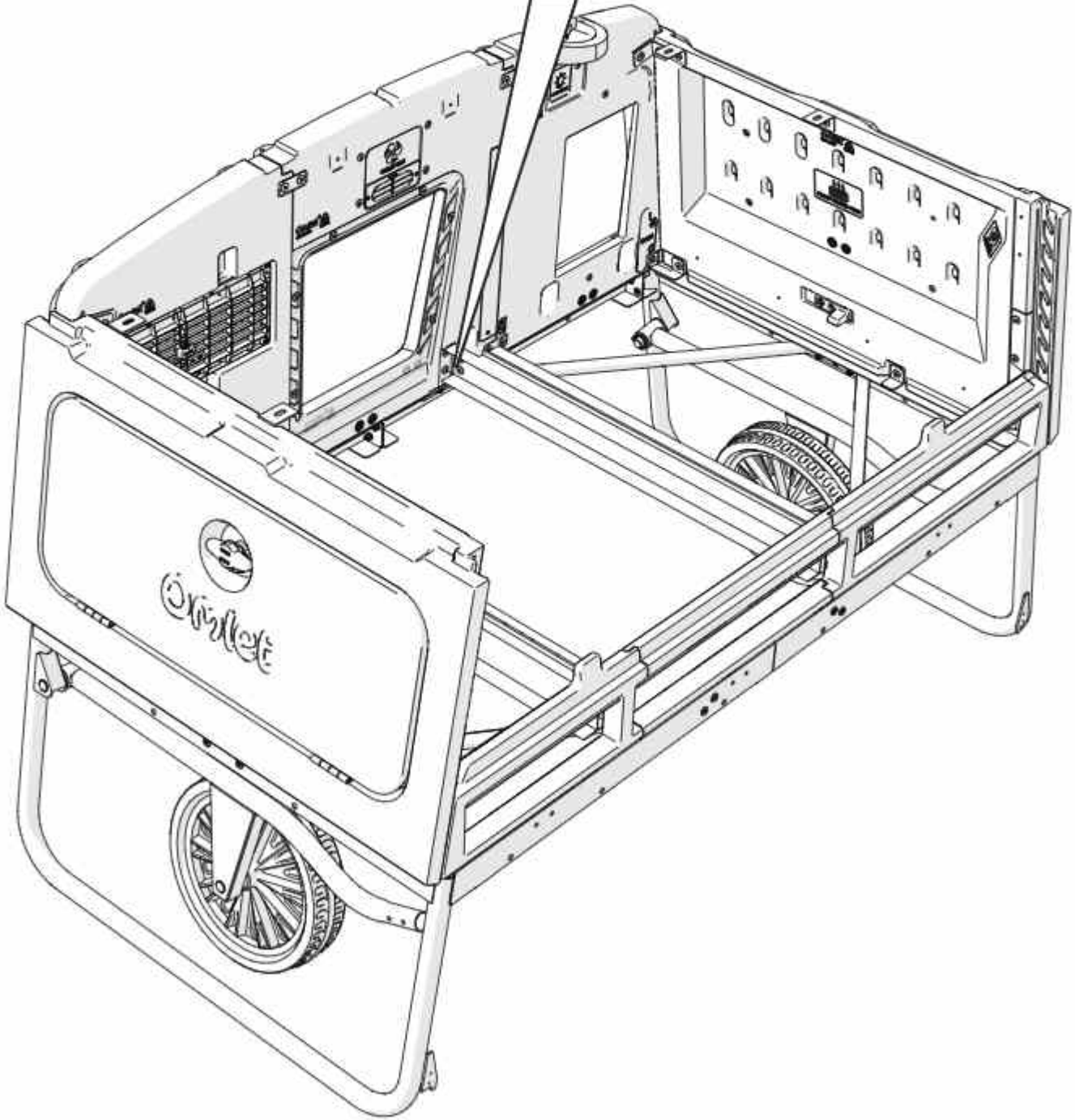
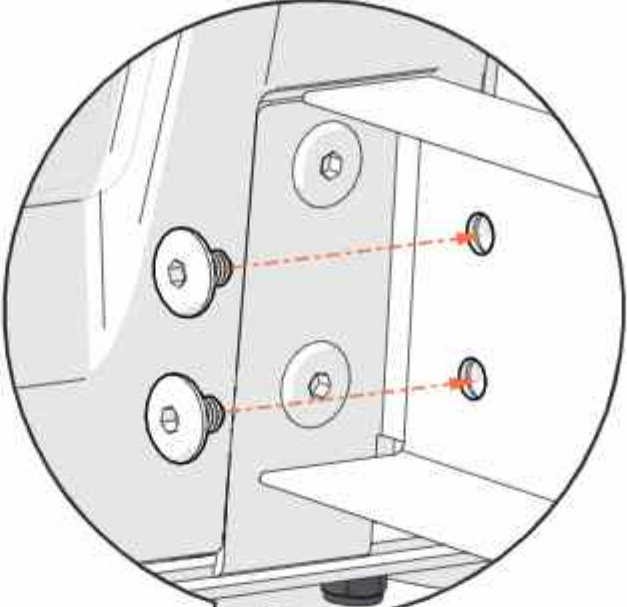
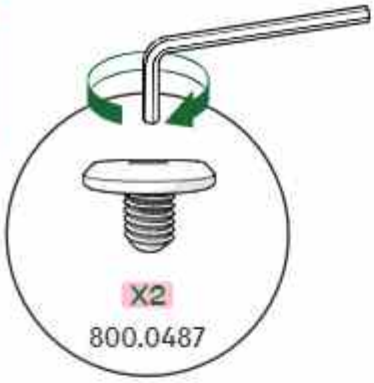
44



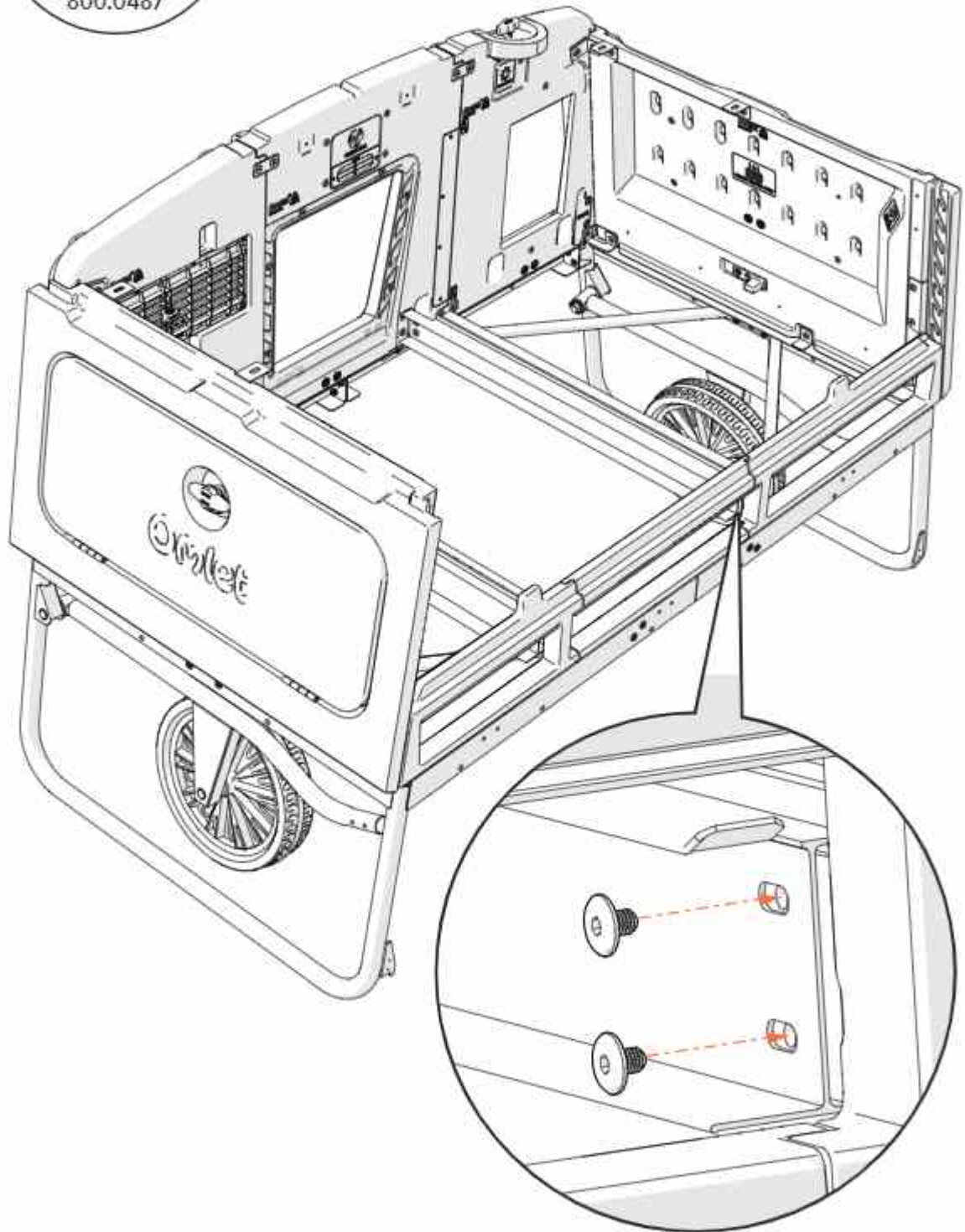
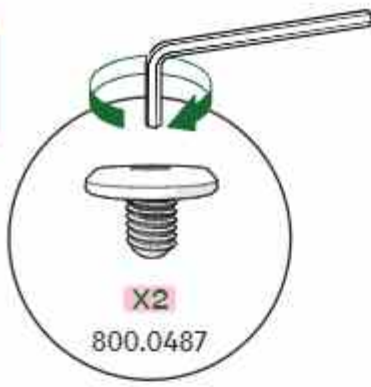
45







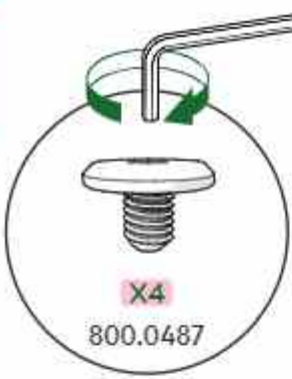
48



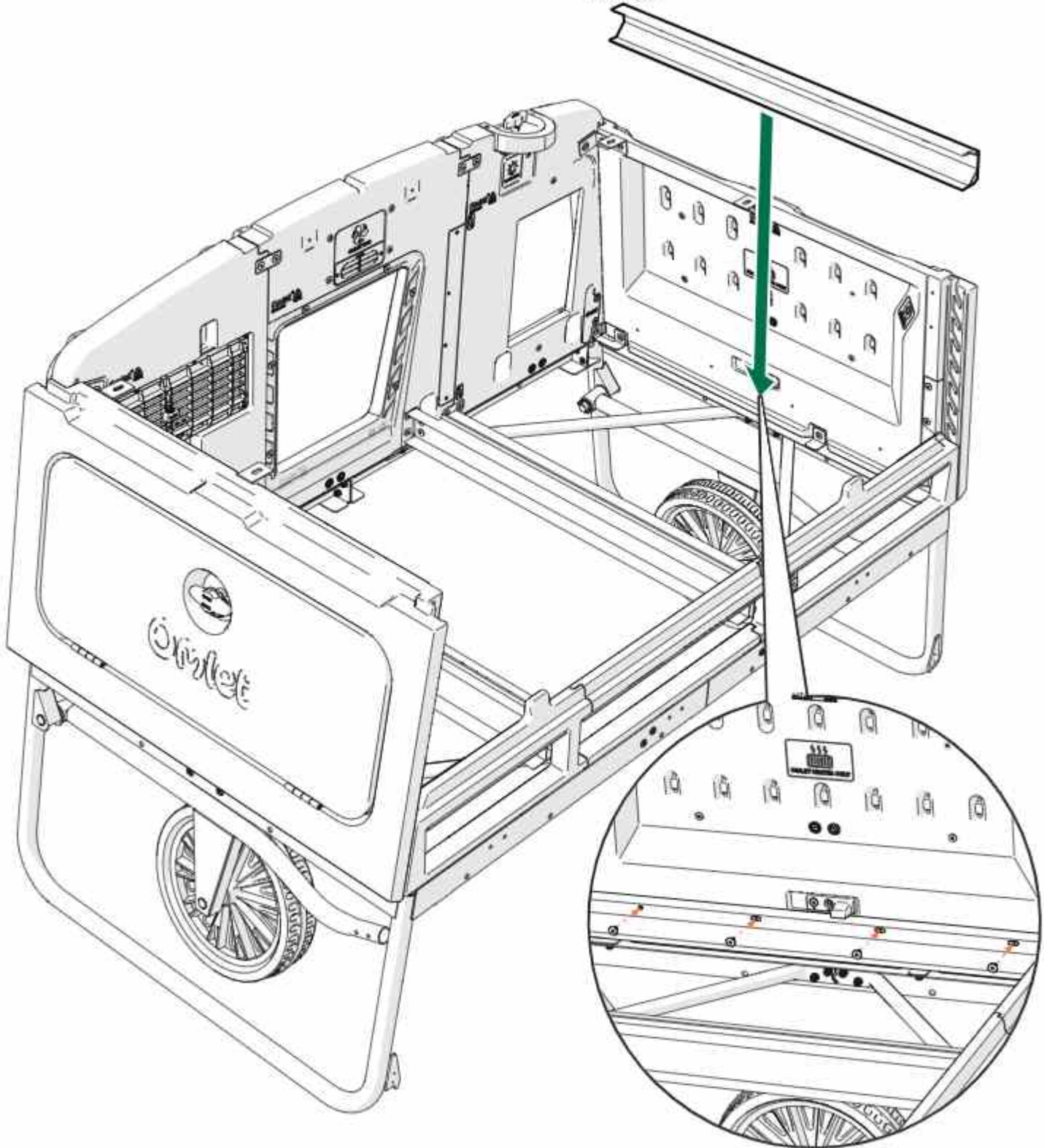
If you have an Auto Door attach it to the house at this stage. Refer to the Auto Door Pro Instruction manual.

49

Box C

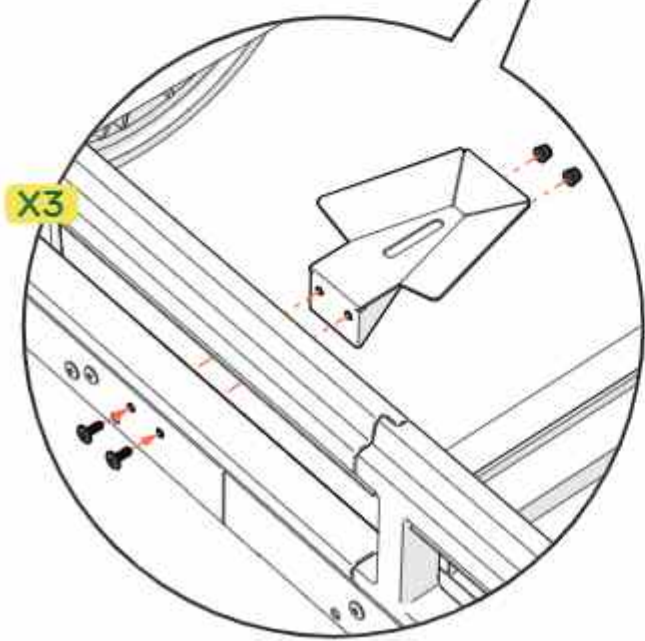
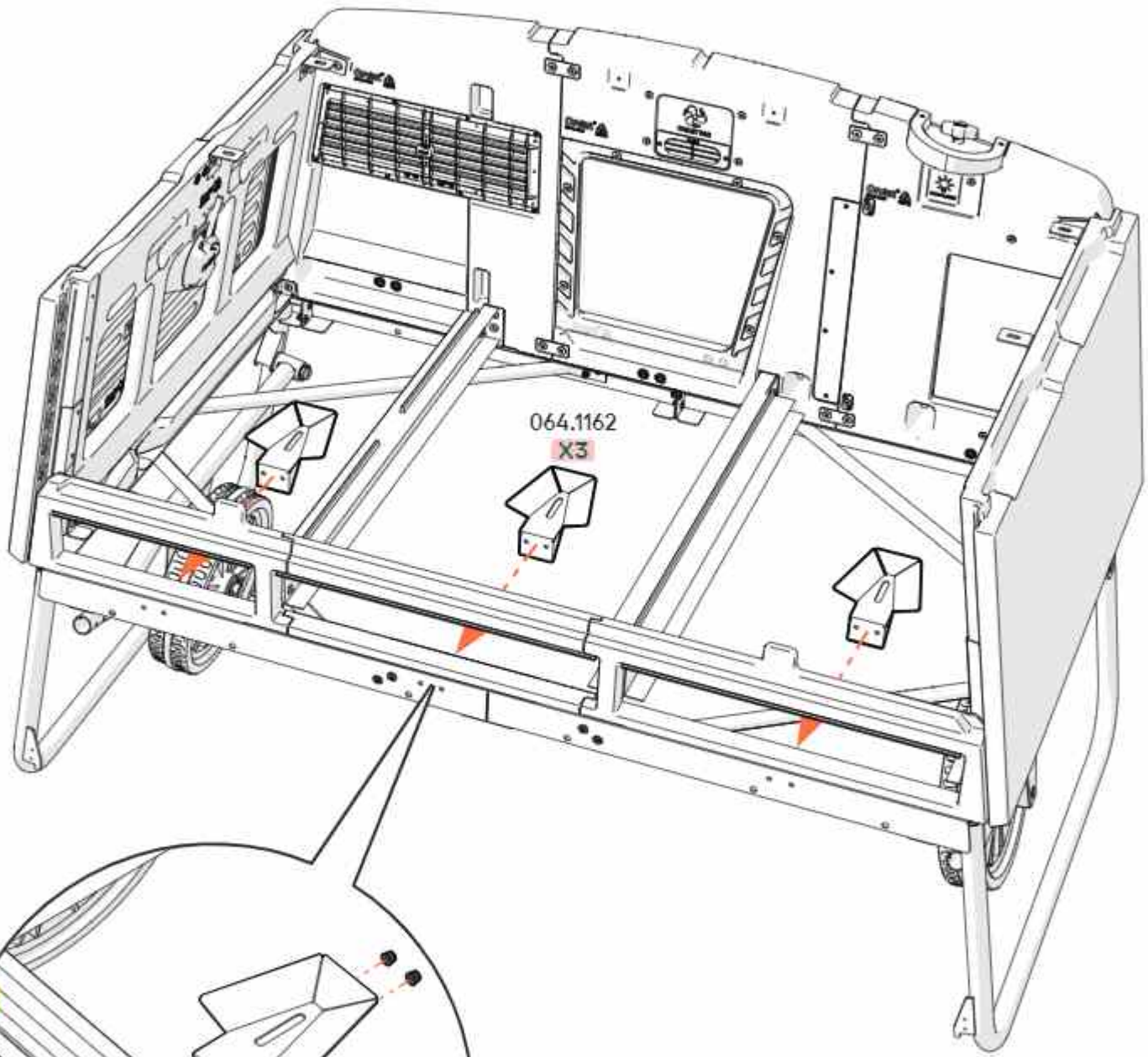
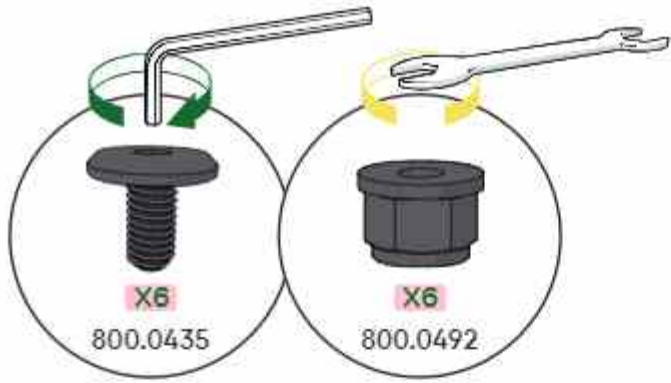


114.1130



50

Brackets
Pack



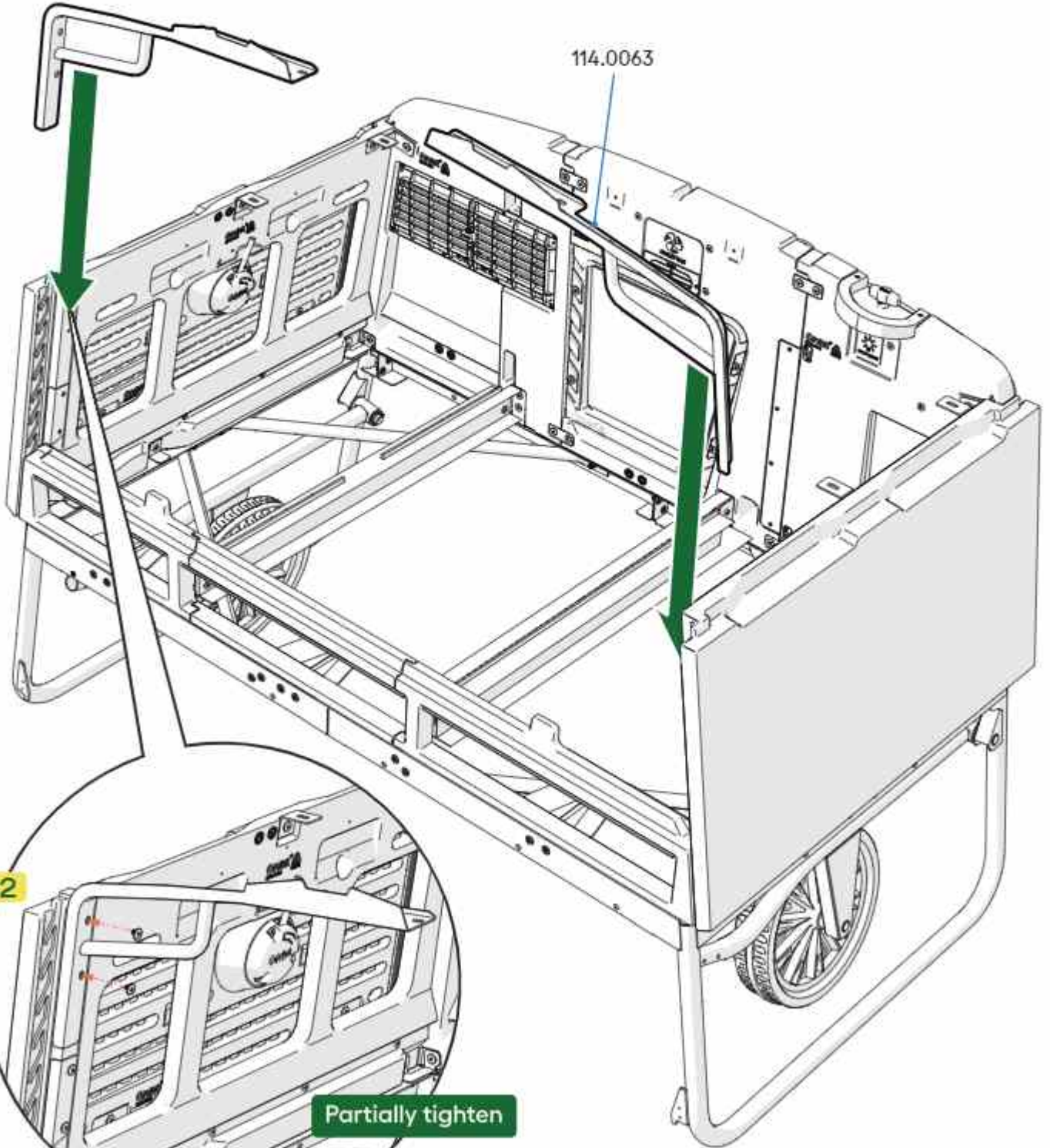
51

Brackets
Pack



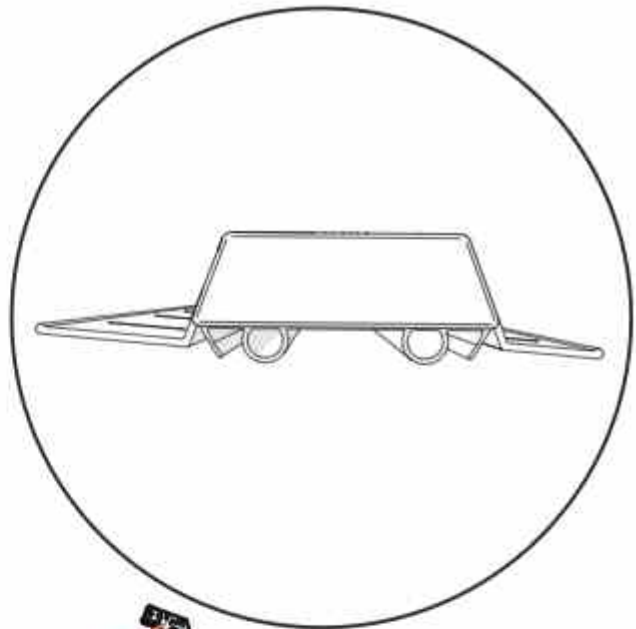
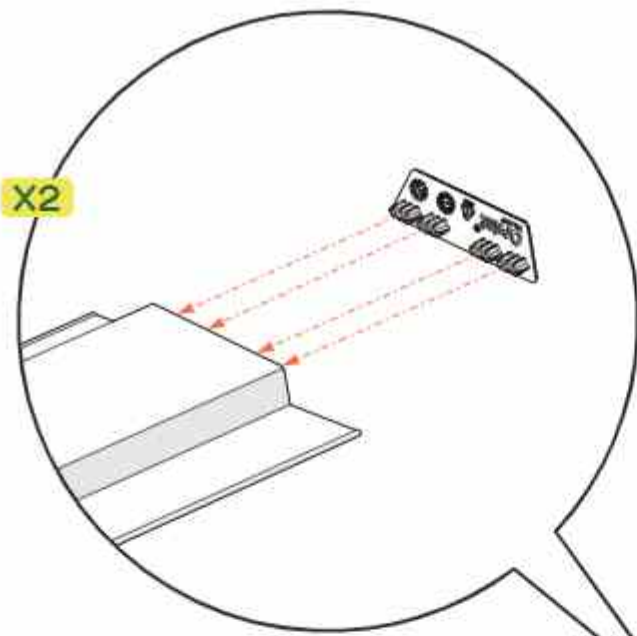
114.0064

114.0063

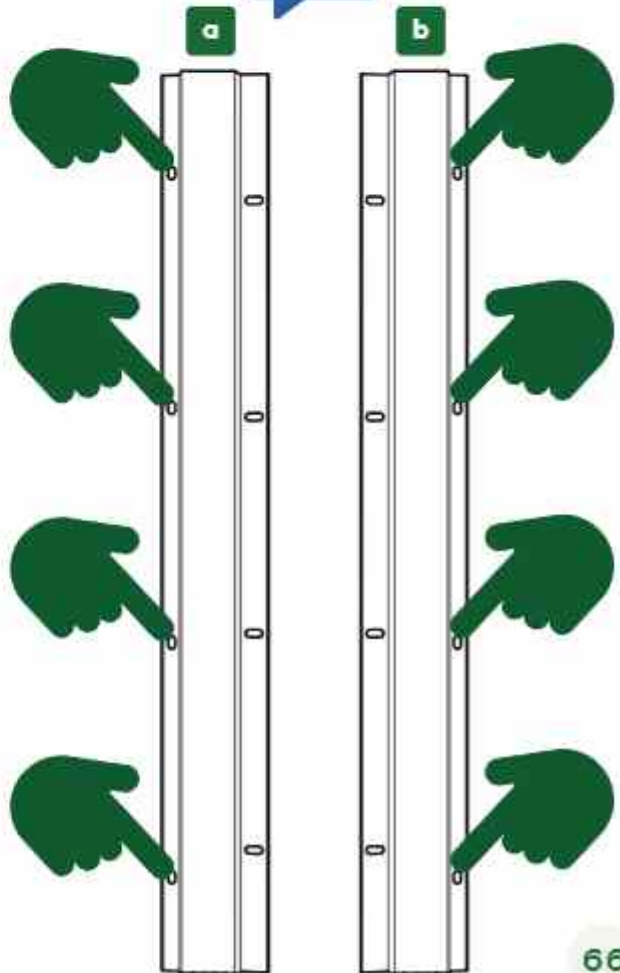
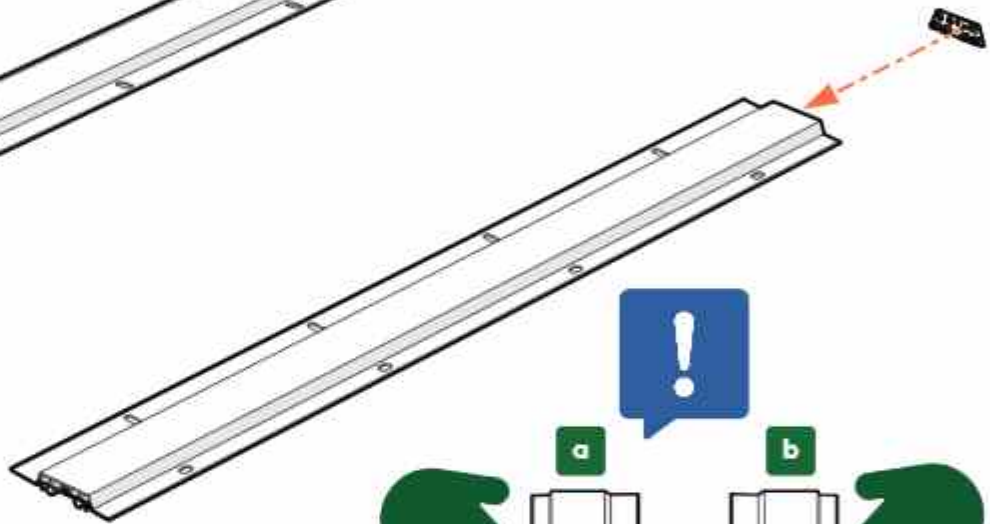


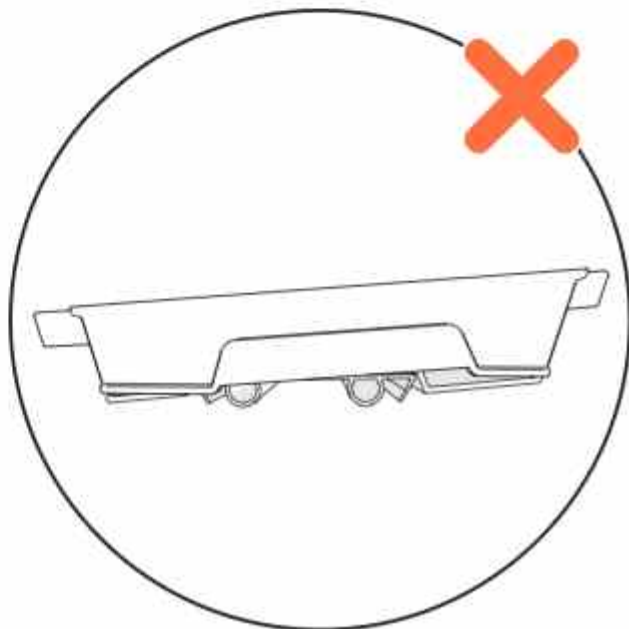
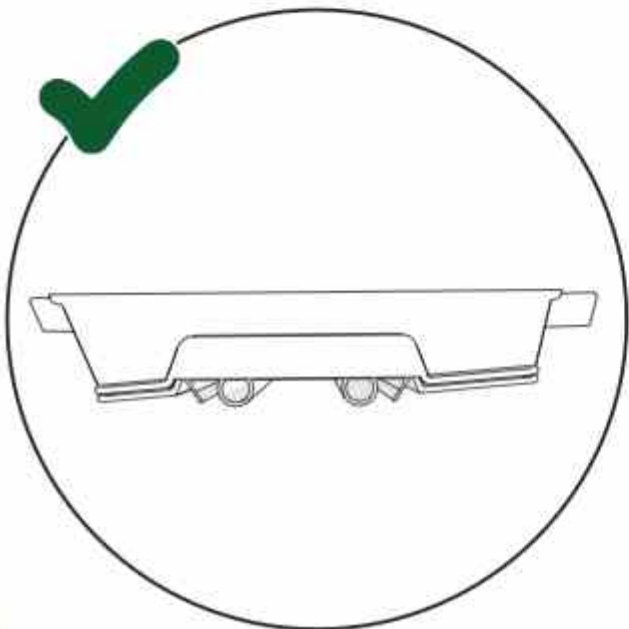
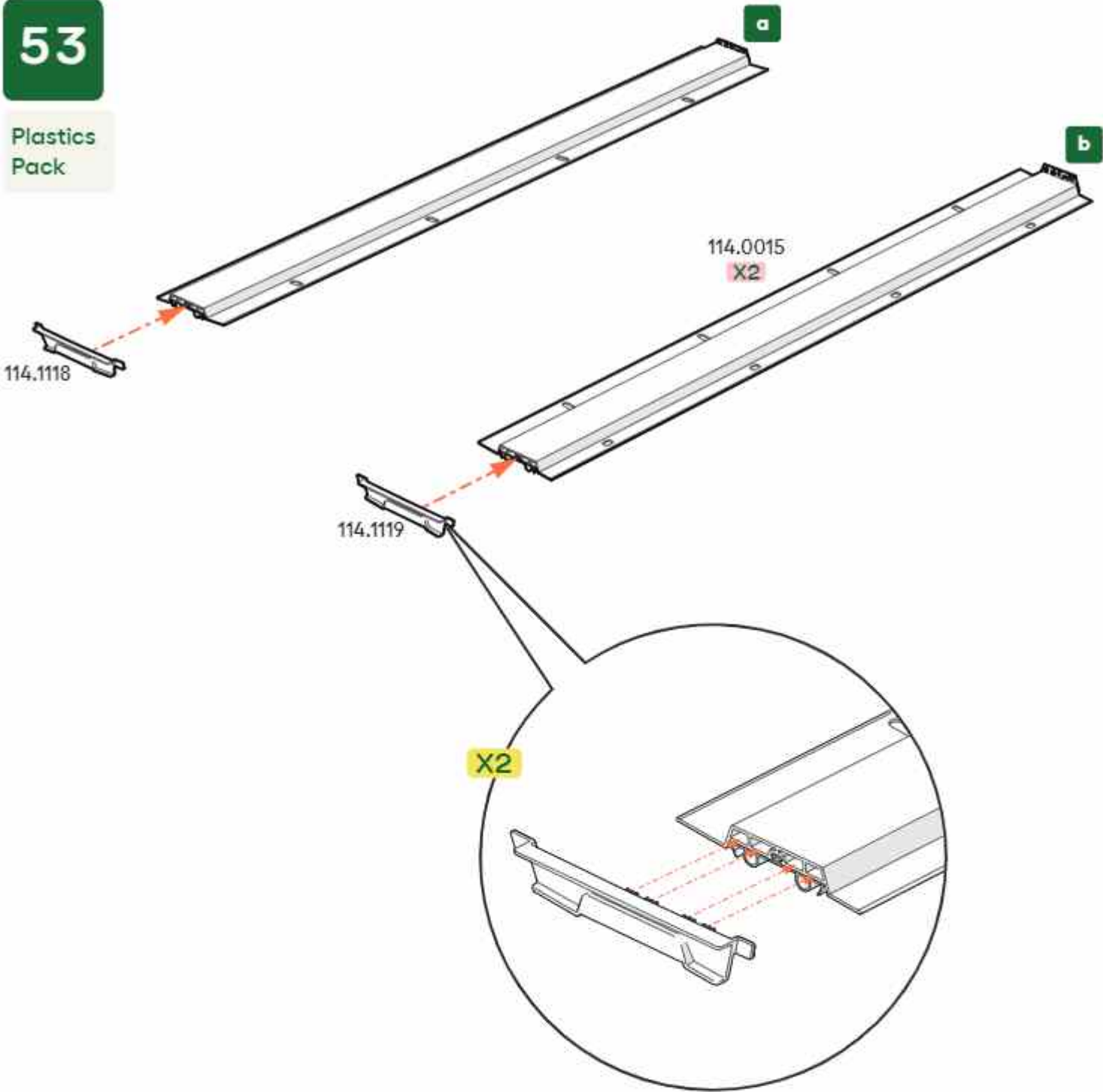
X2

Partially tighten



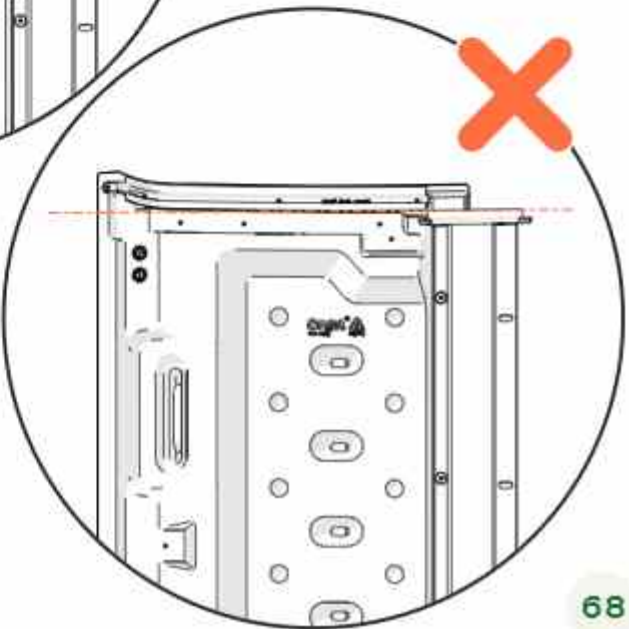
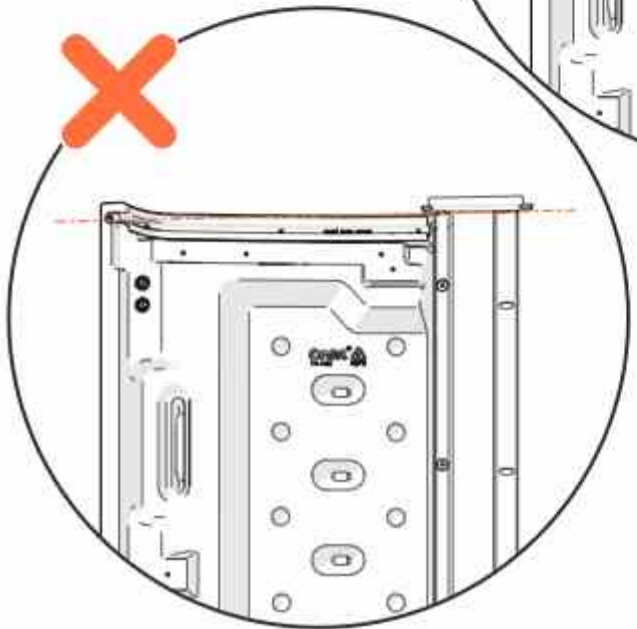
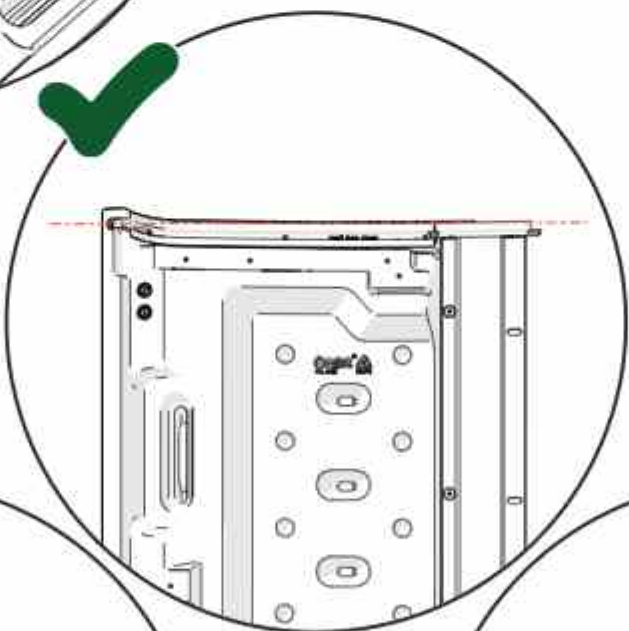
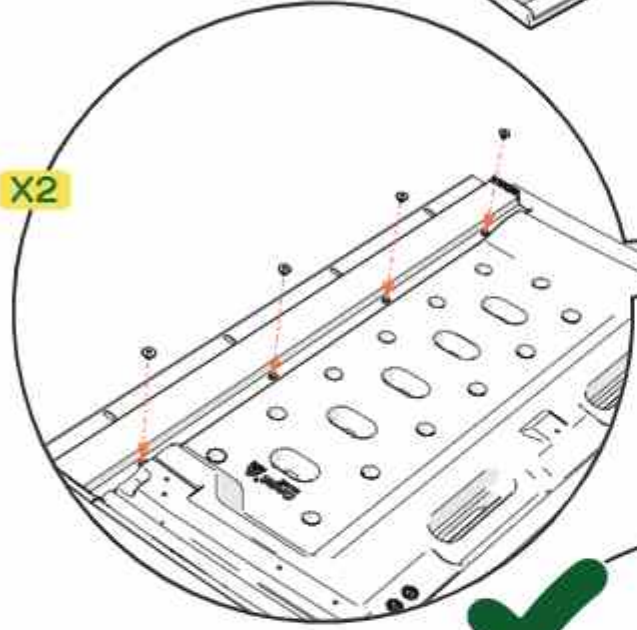
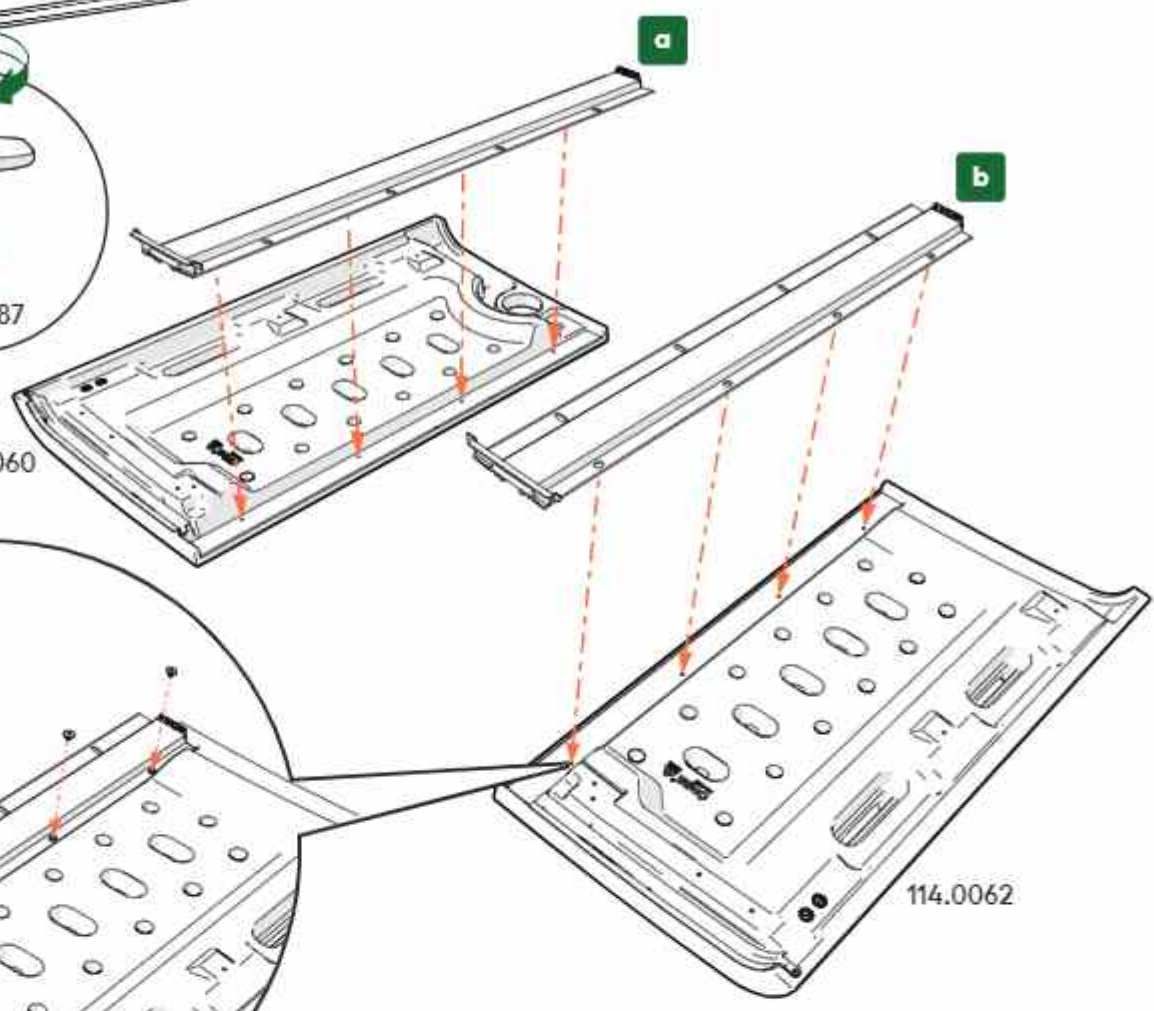
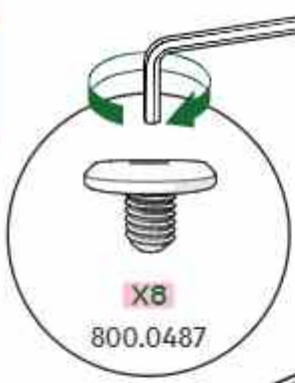
114.1017
X2

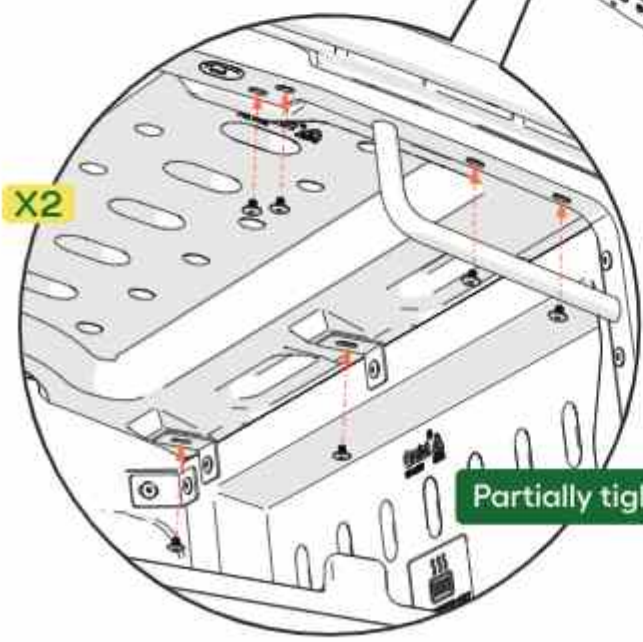
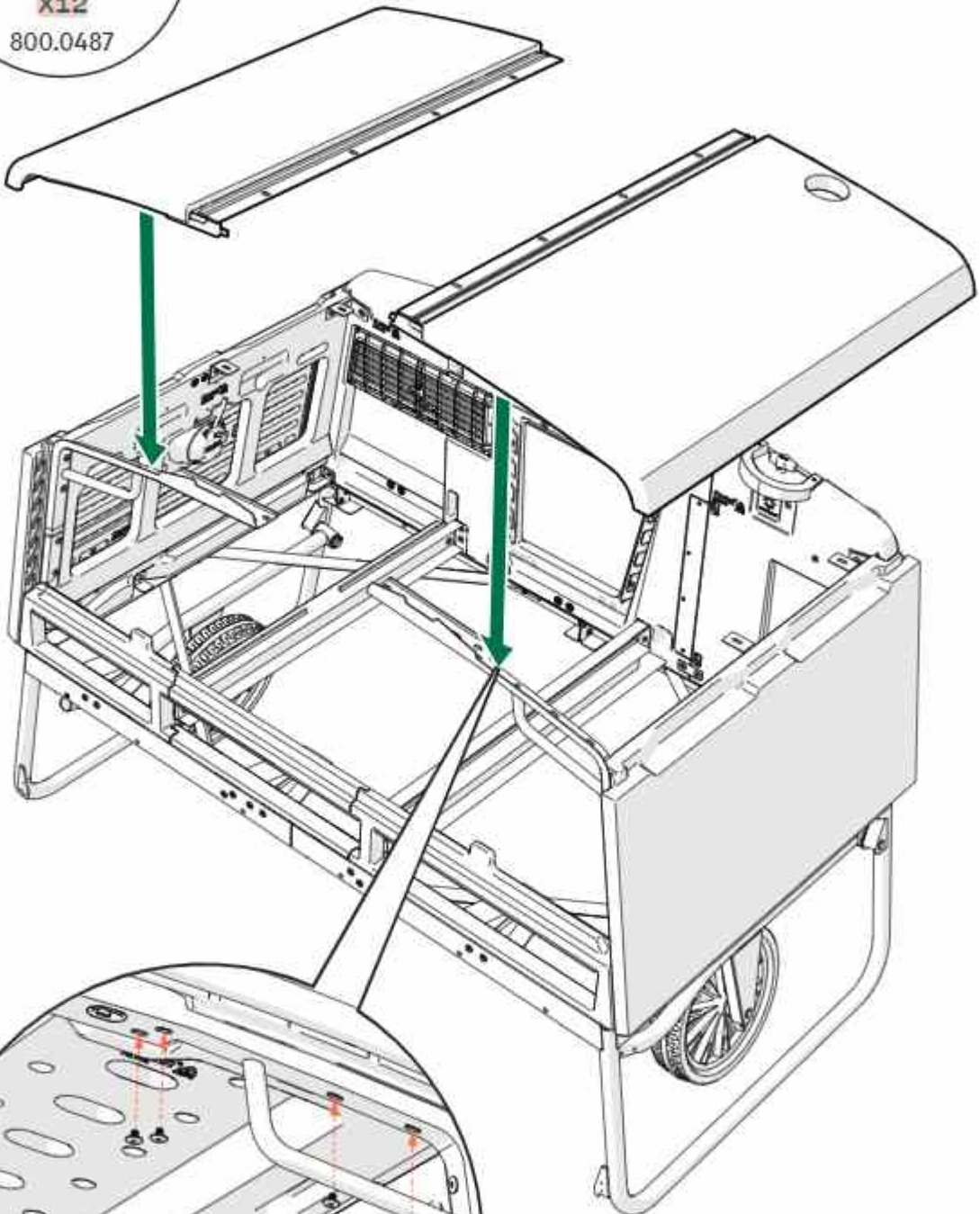




54

Box D





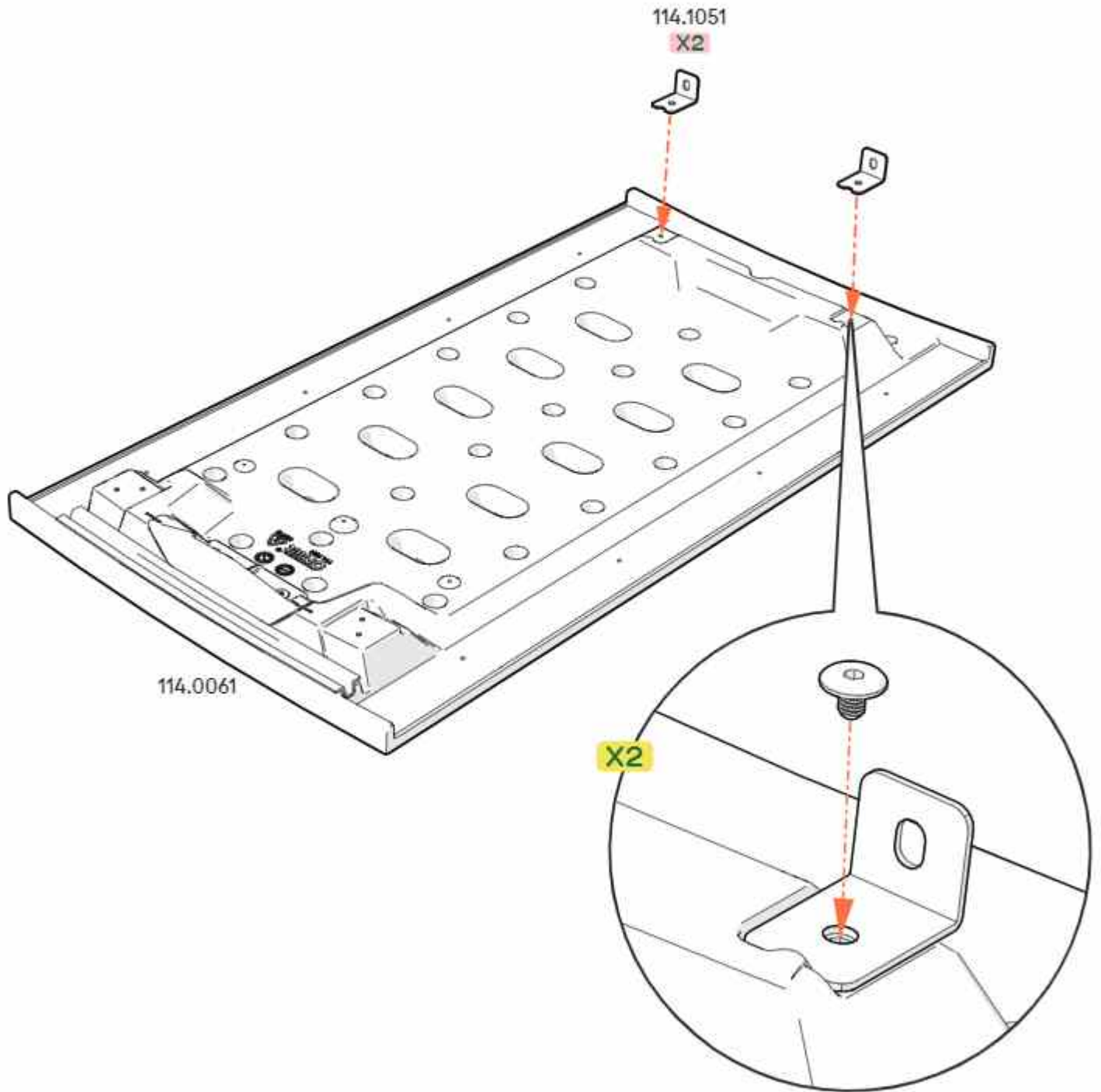
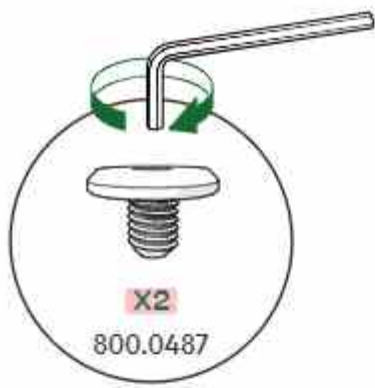
X2

Partially tighten

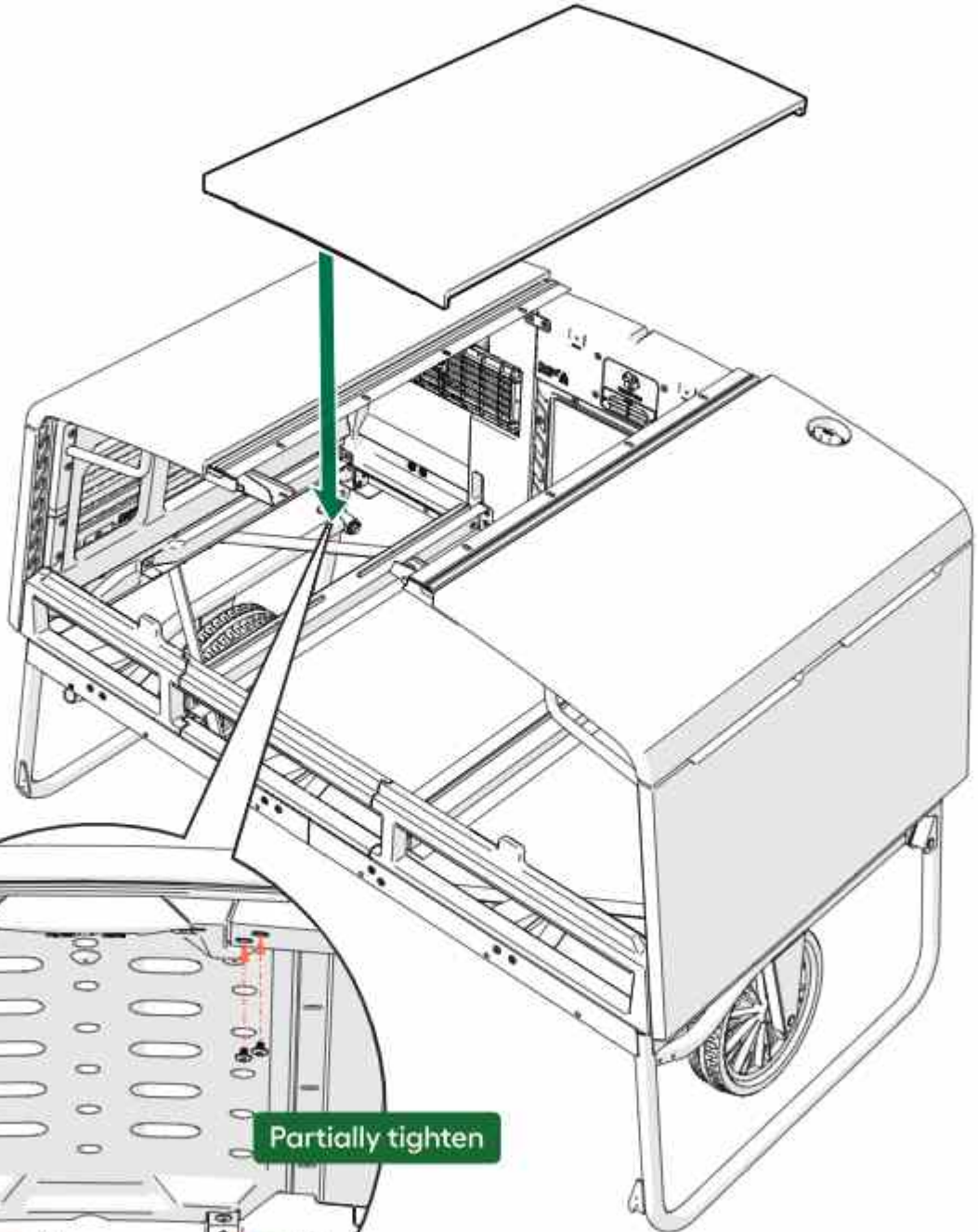
56

Box D

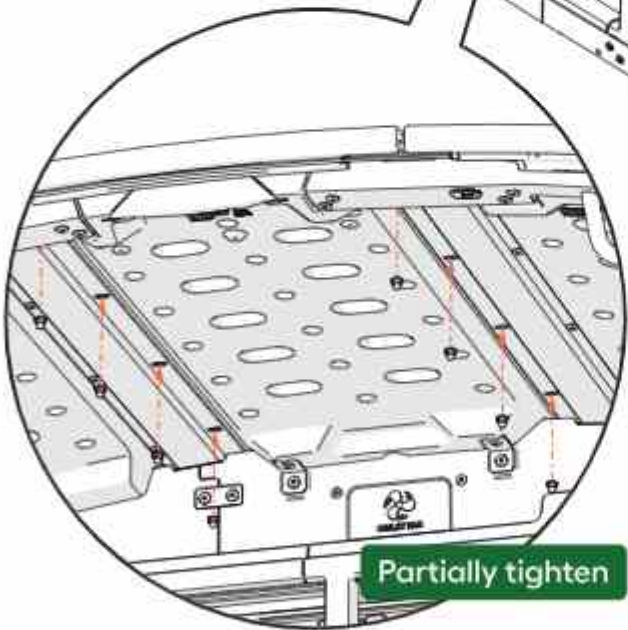
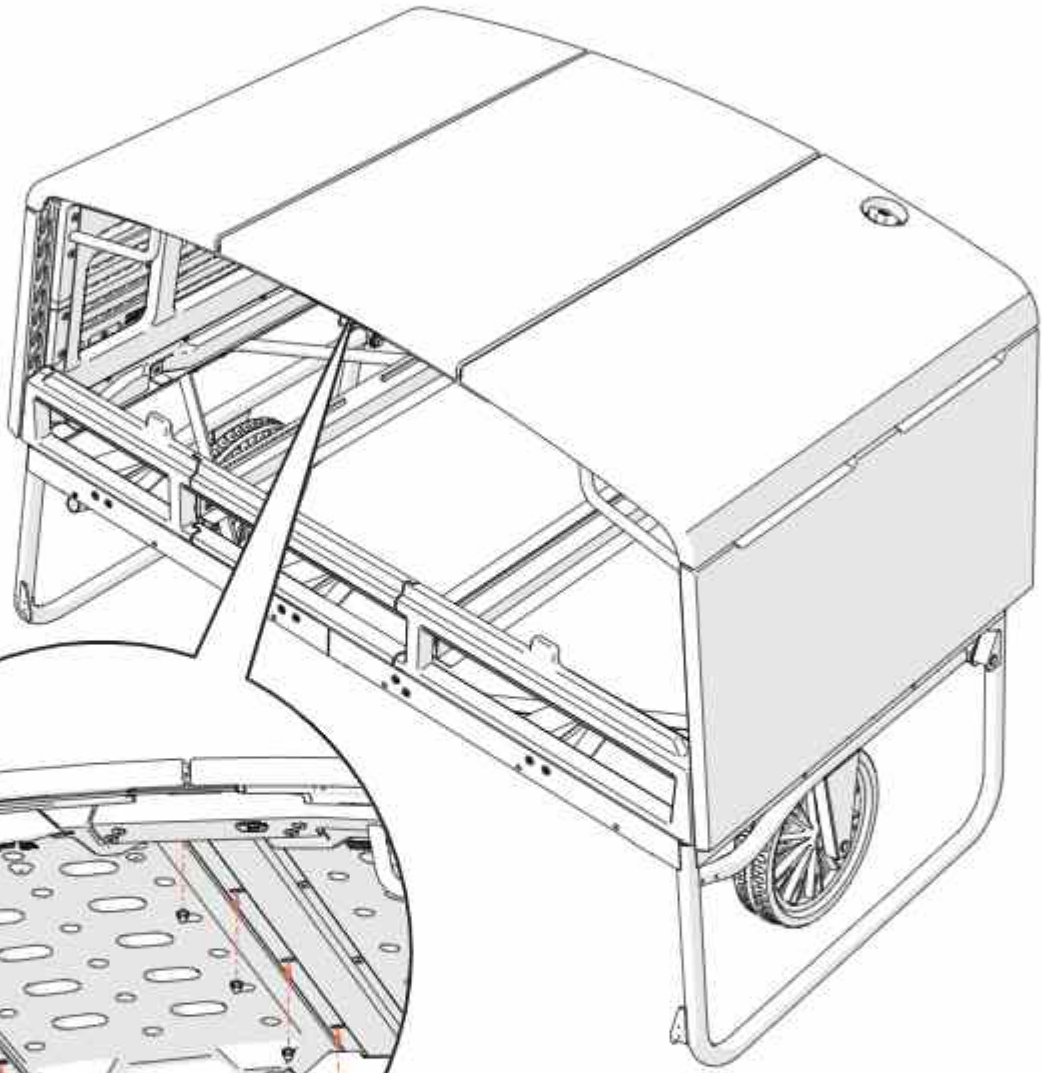
Brackets Pack



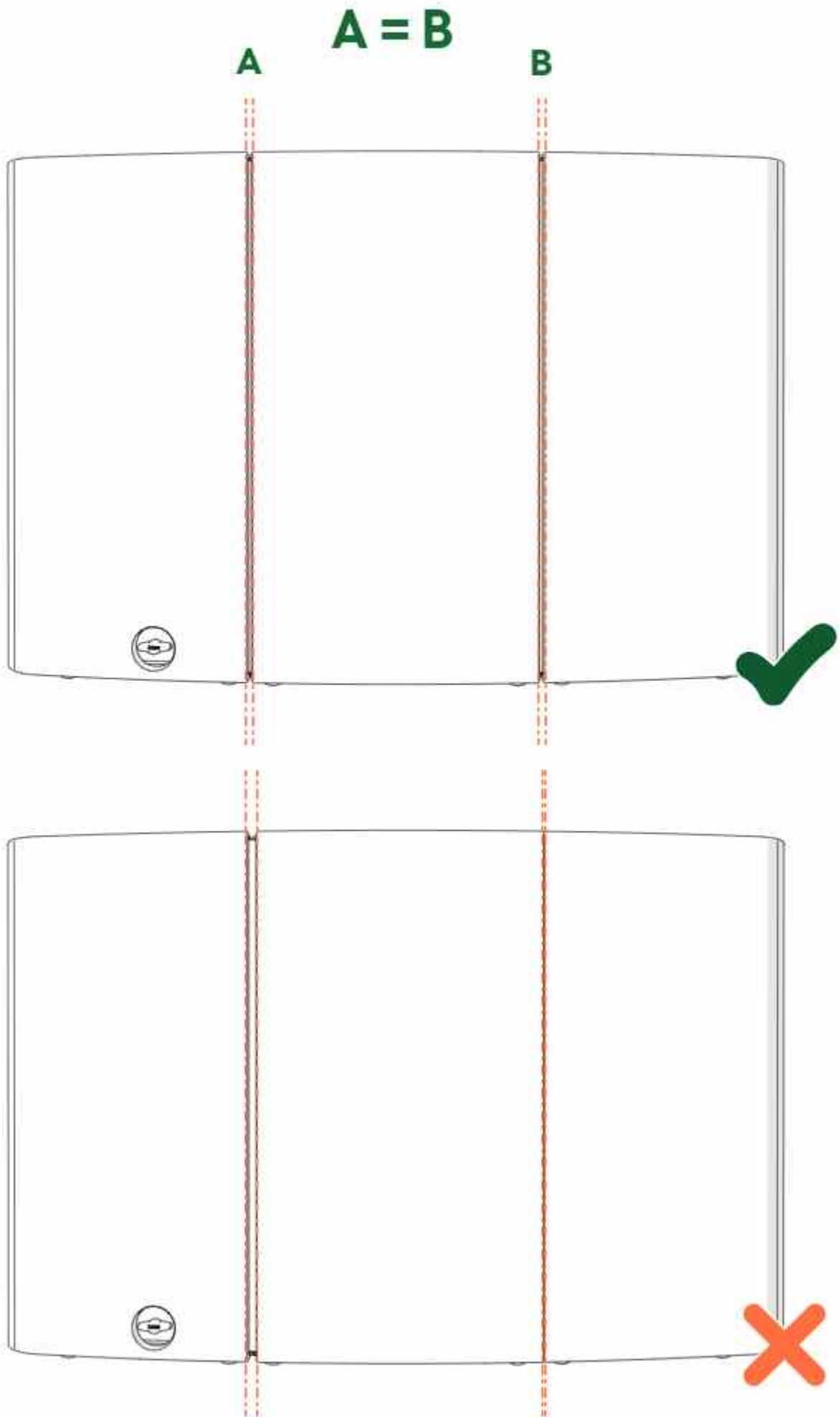
57

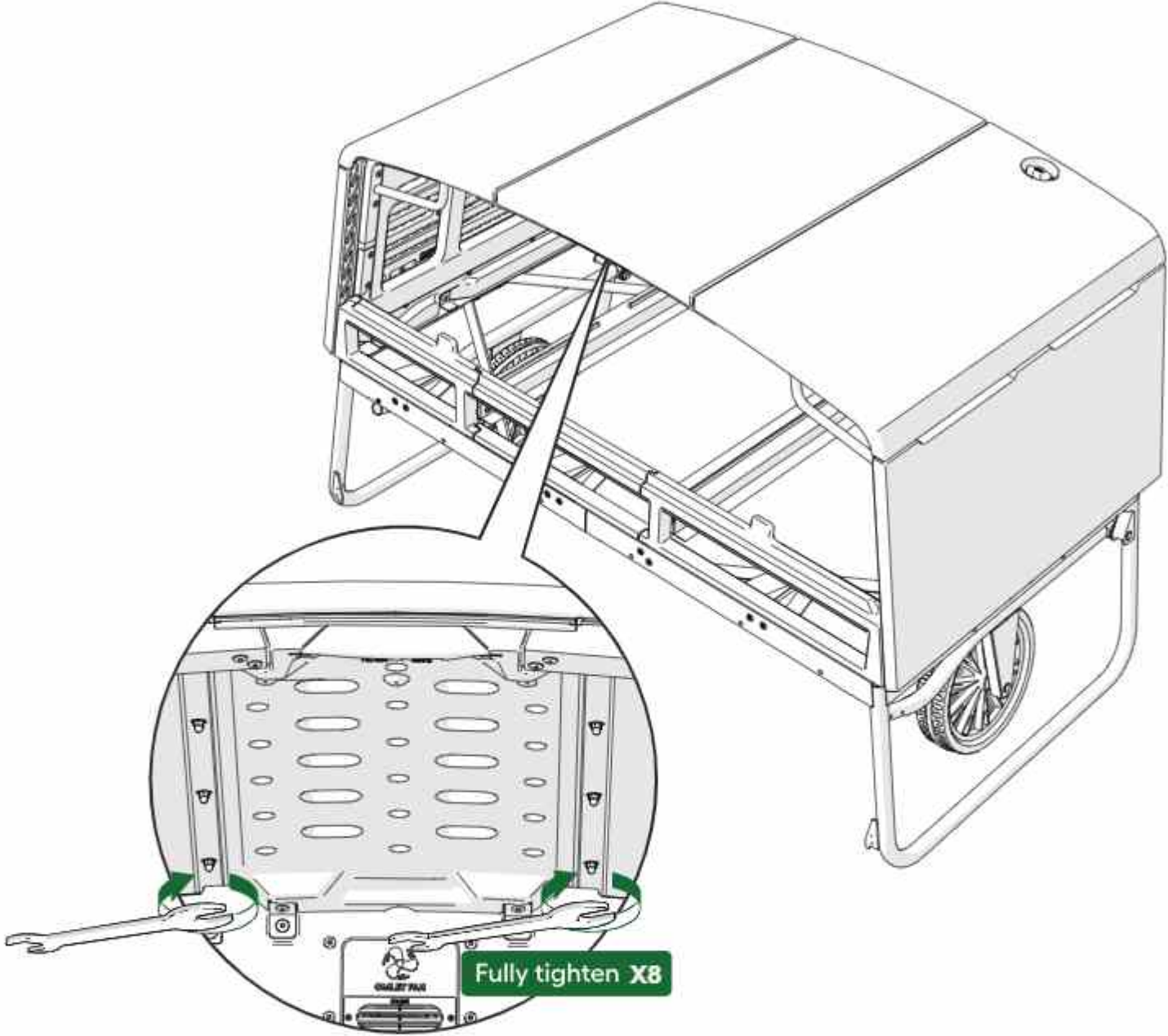


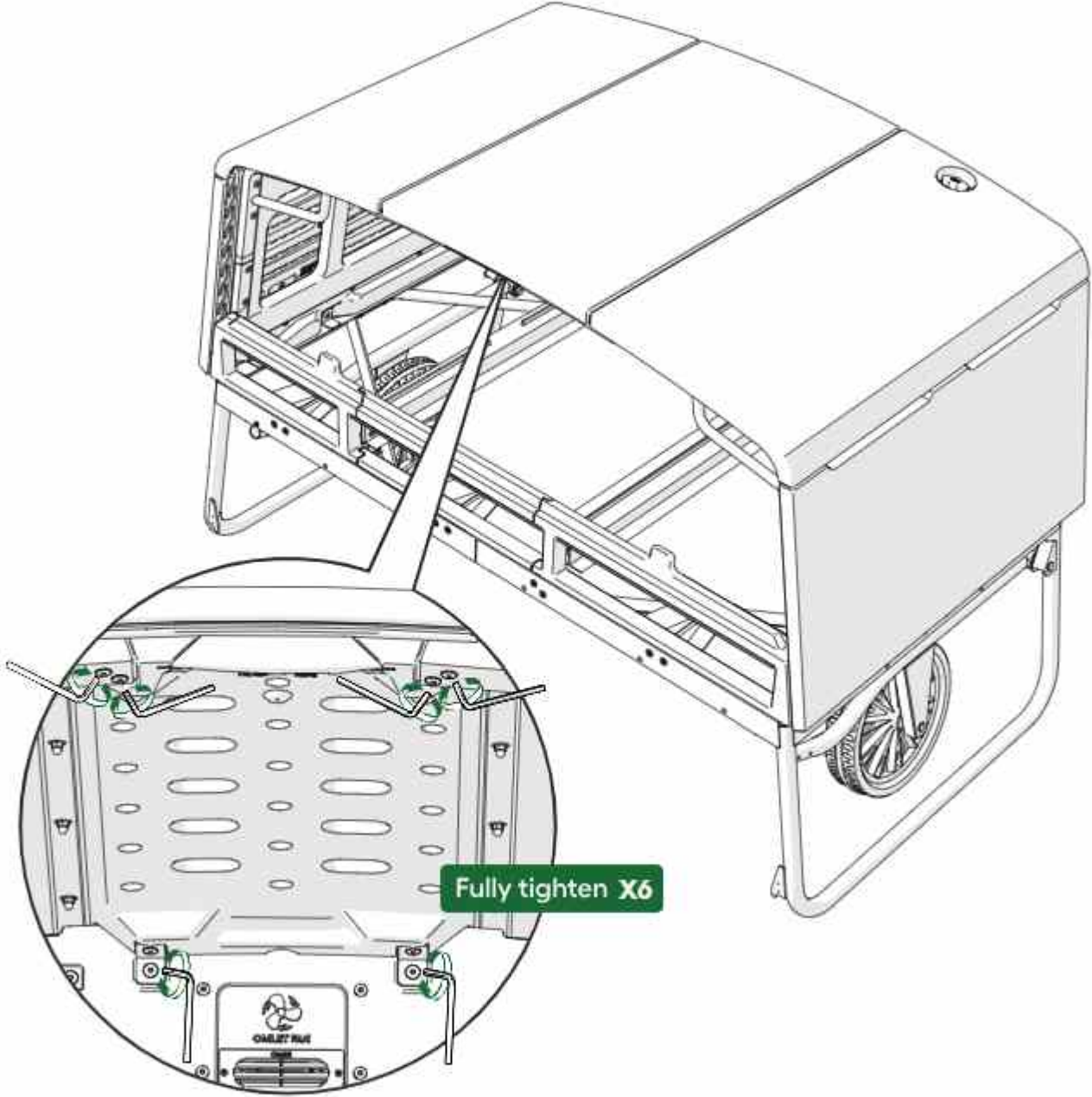
58

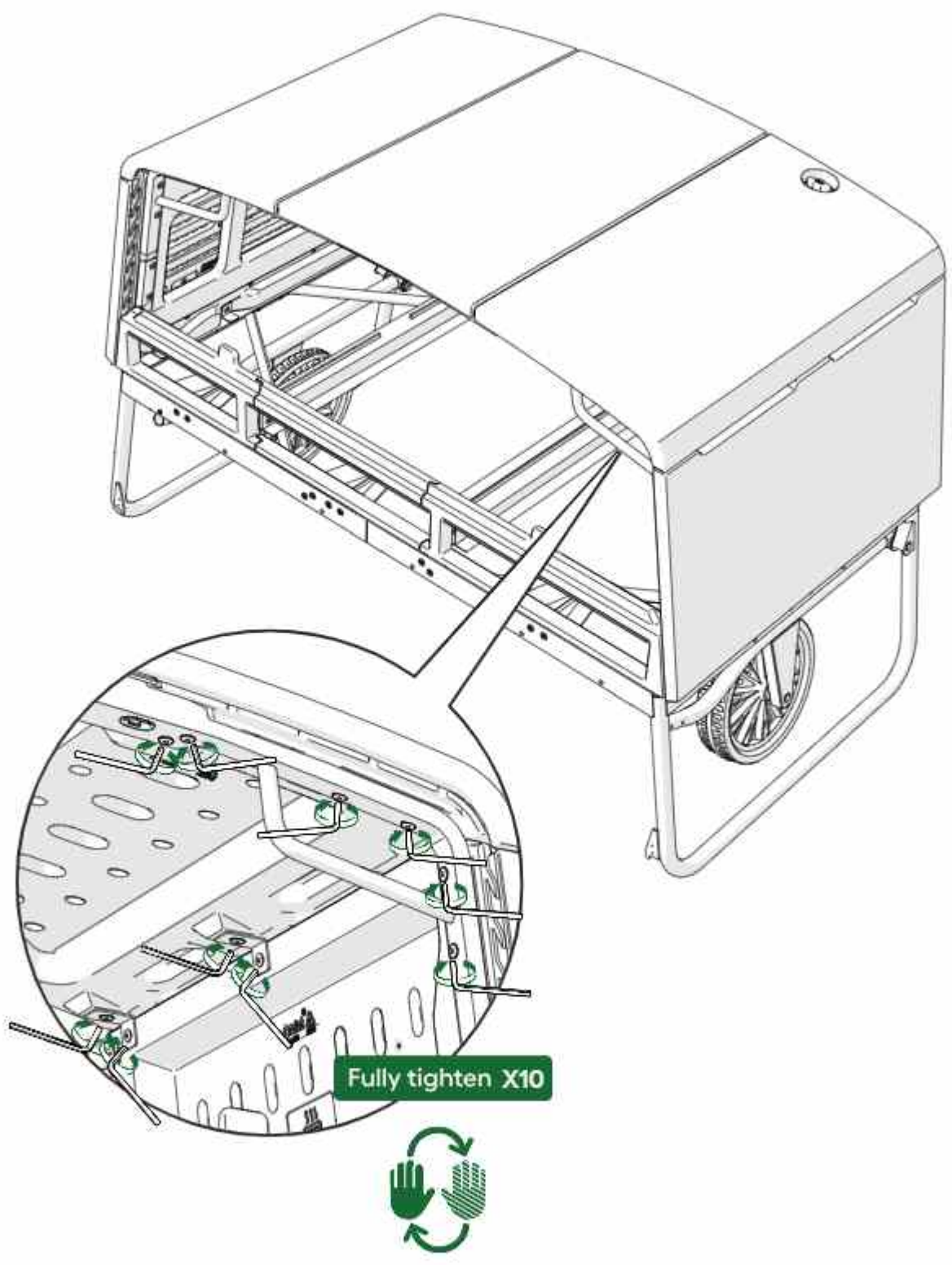


Gaps between panels must be equal. The middle panel can be shifted to achieve this while the Locking Nut Caps (800.0425) used in the previous step are only partially tightened







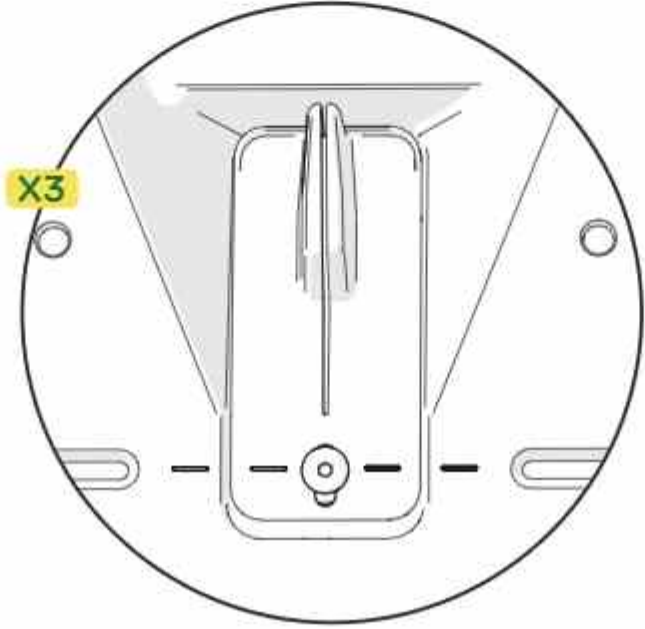
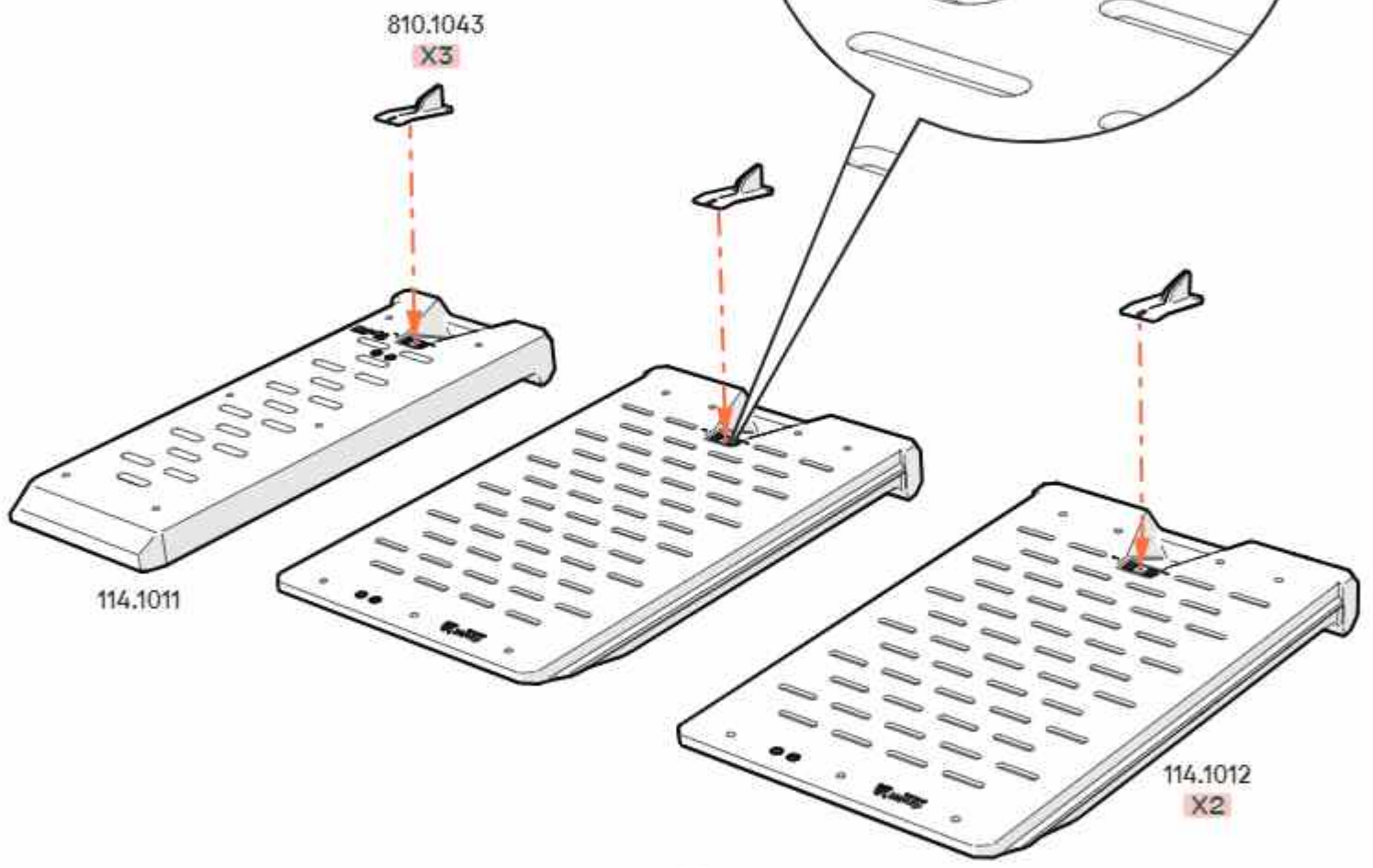
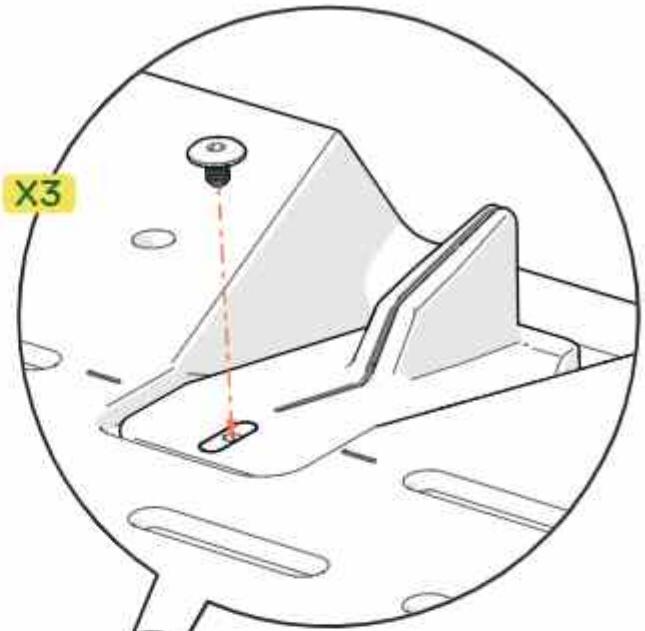
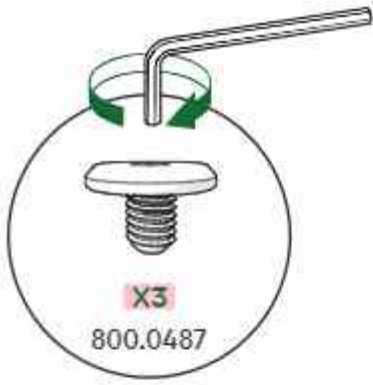


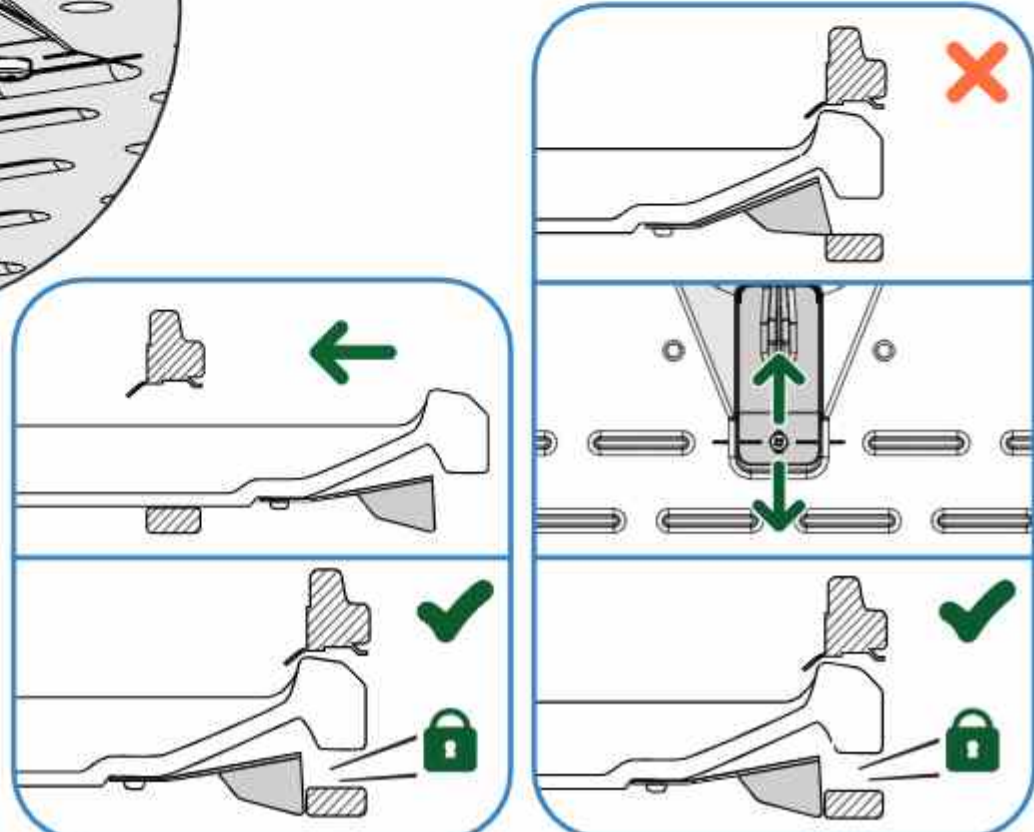
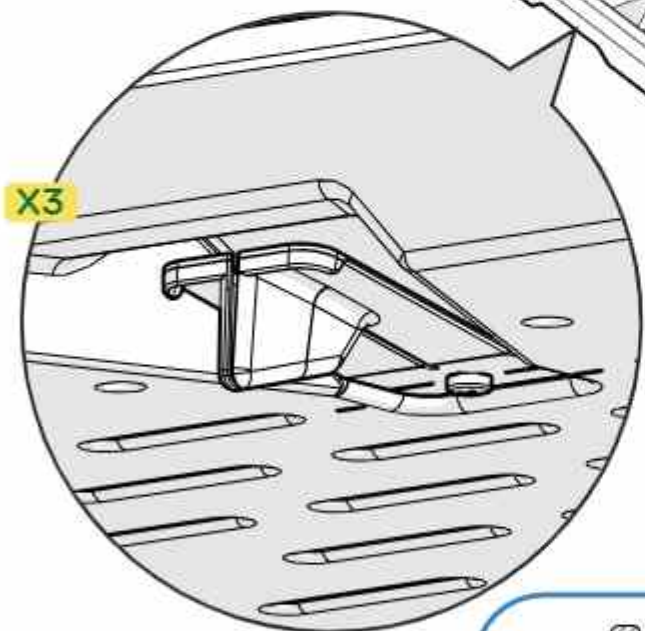
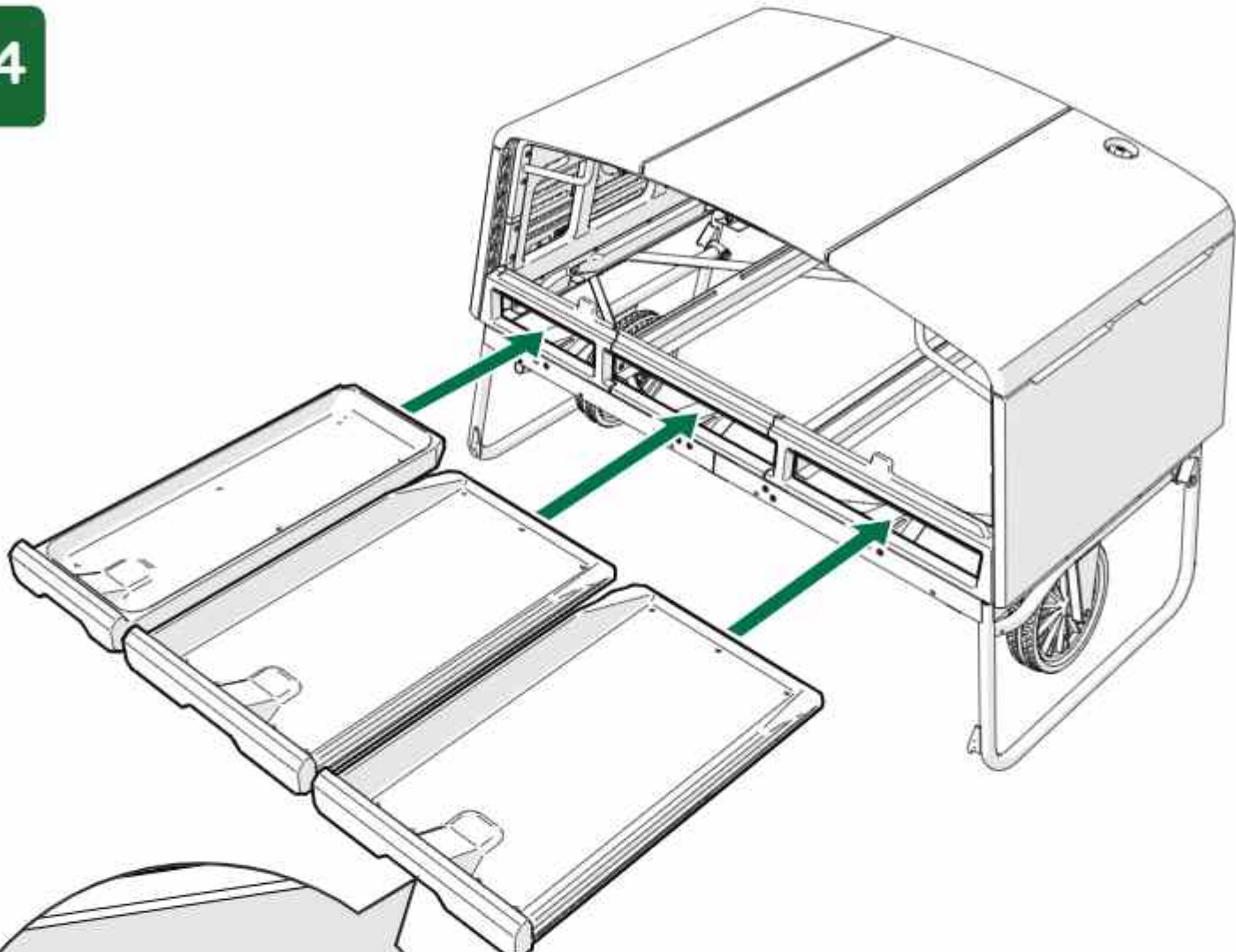
63

Box D

Box E

Plastics Pack

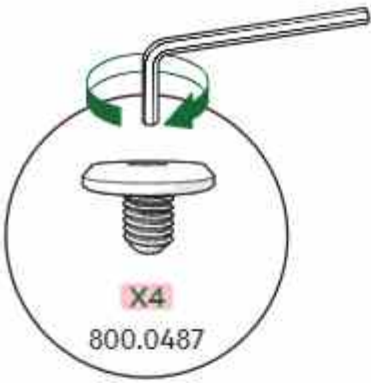




65

Box C

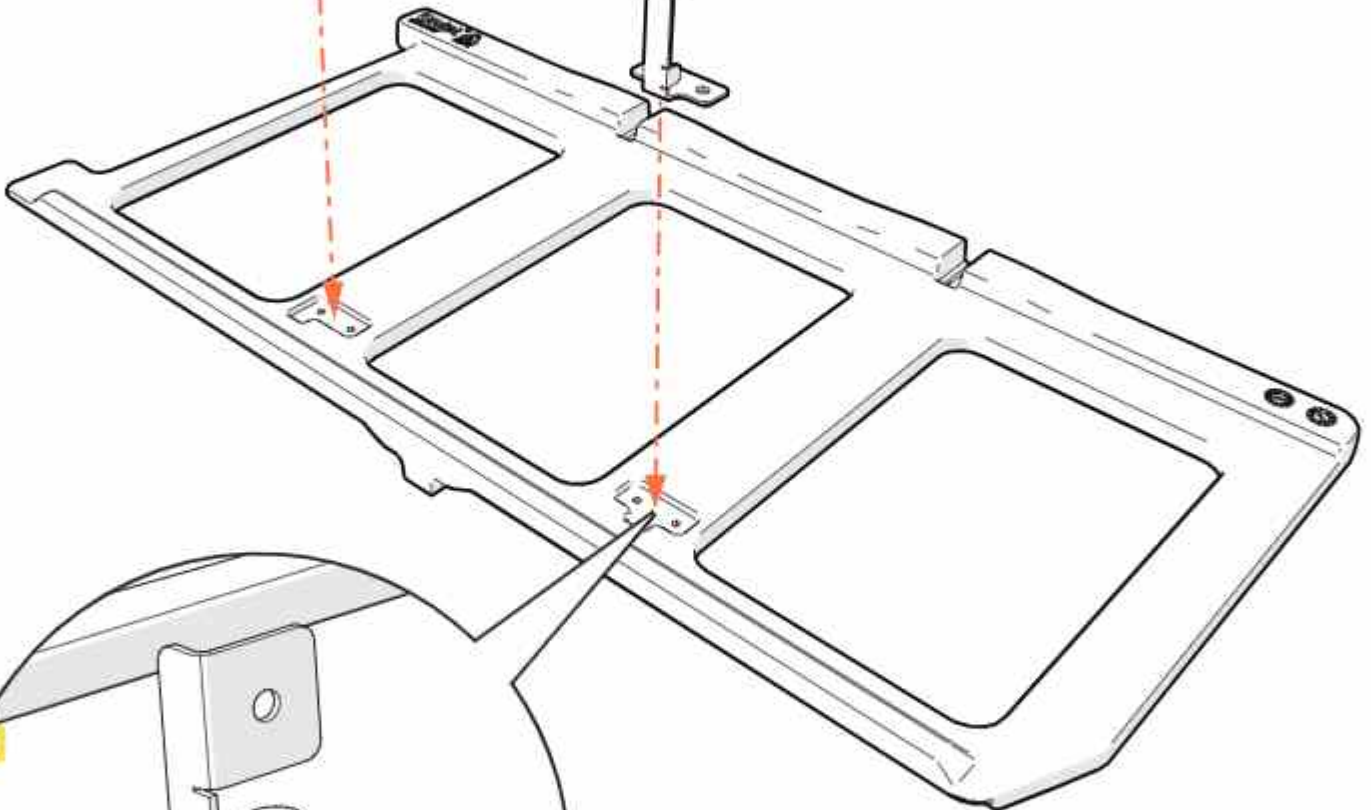
Brackets
Pack



114.1117

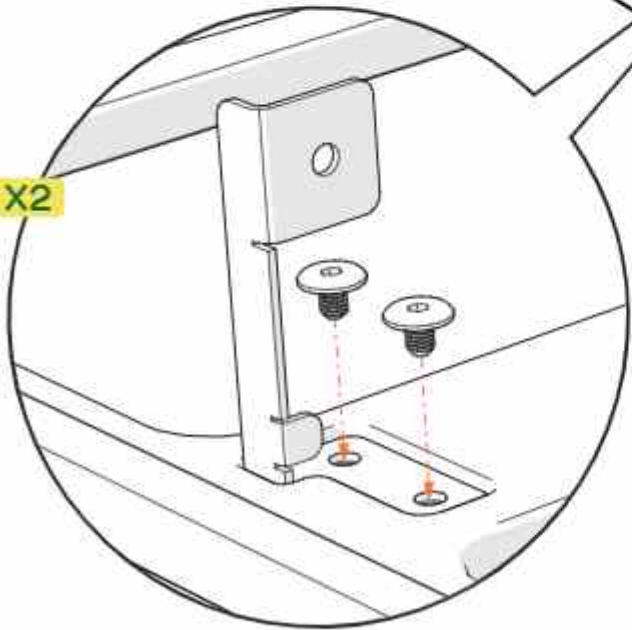


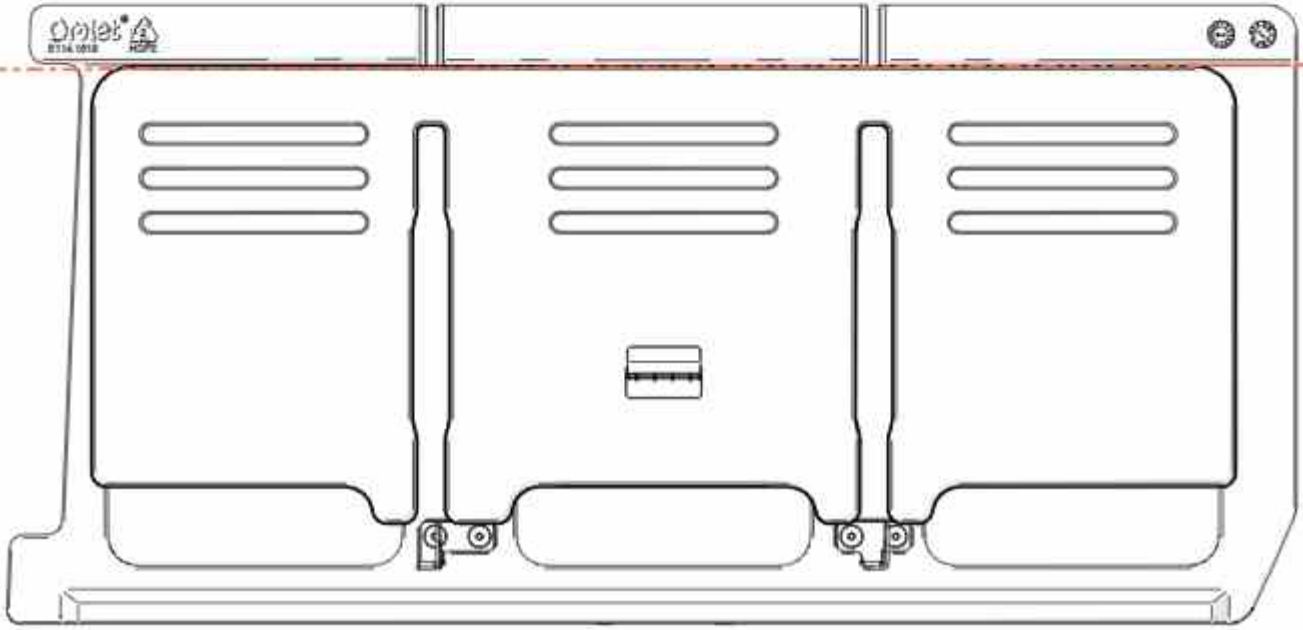
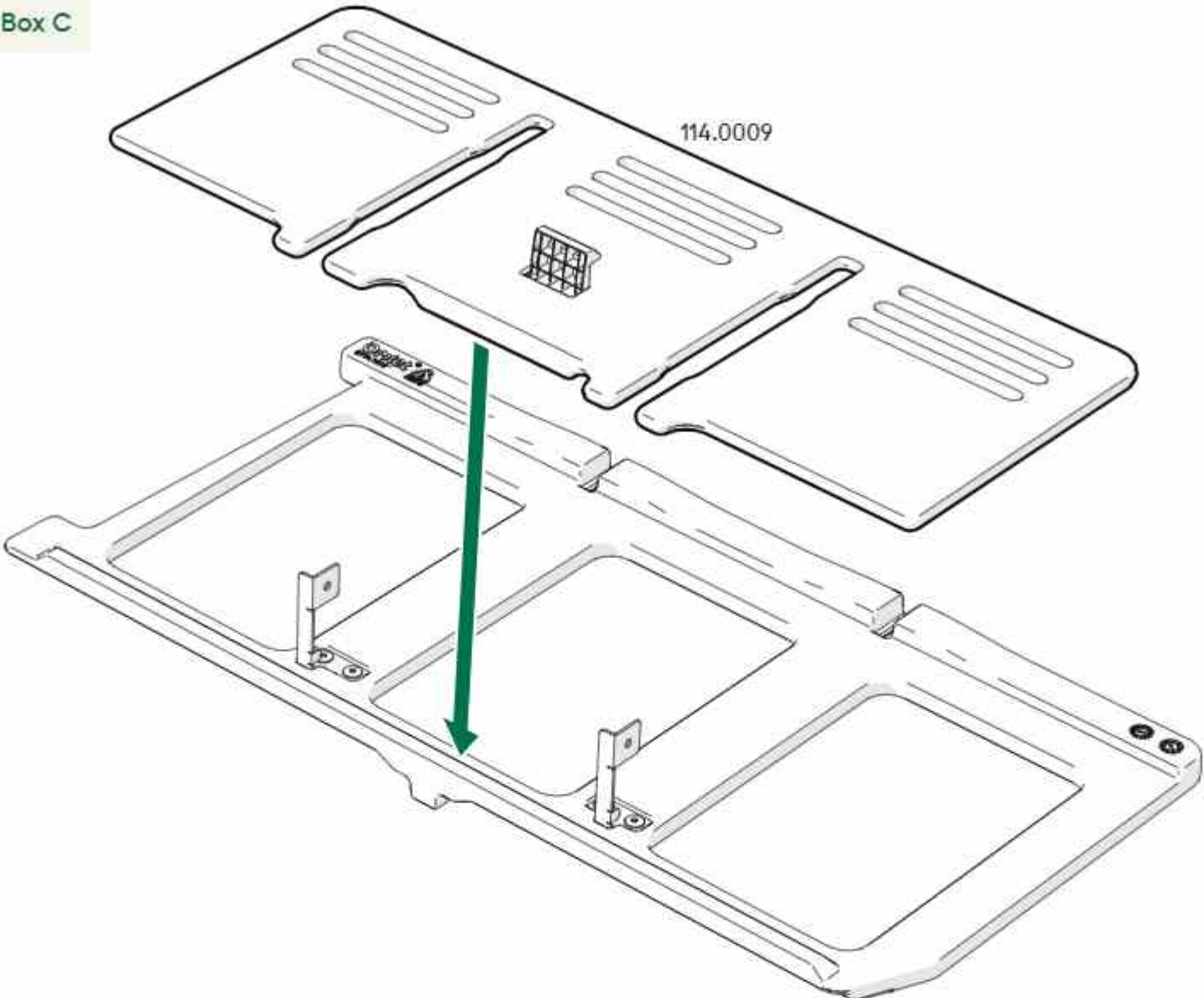
114.1116

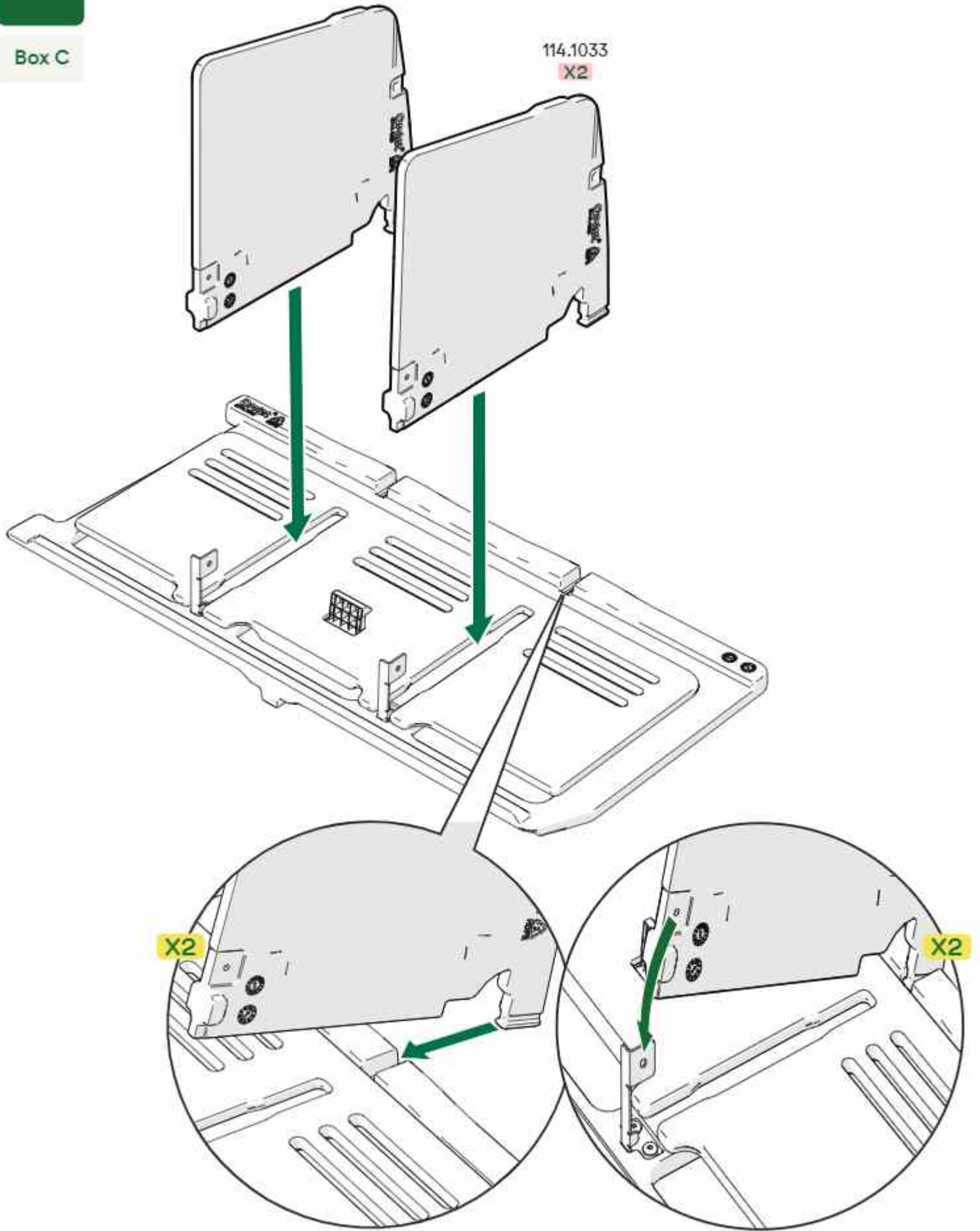


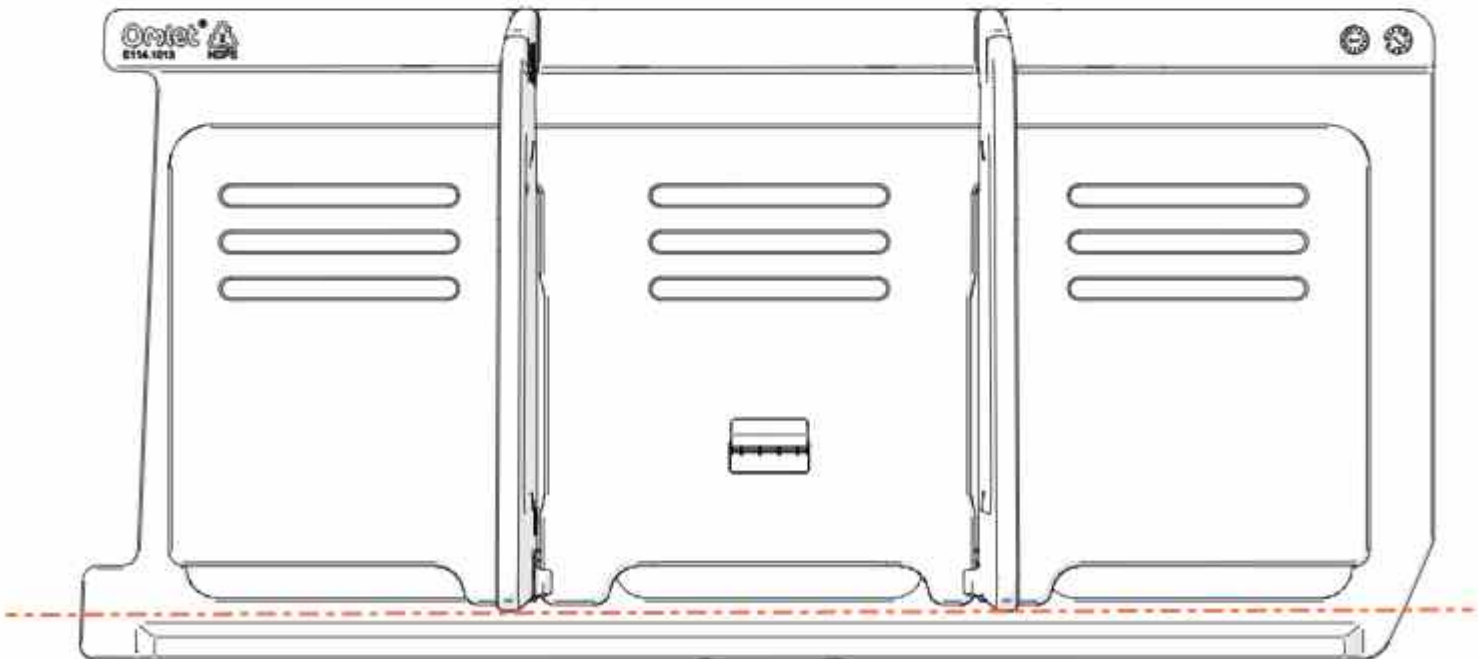
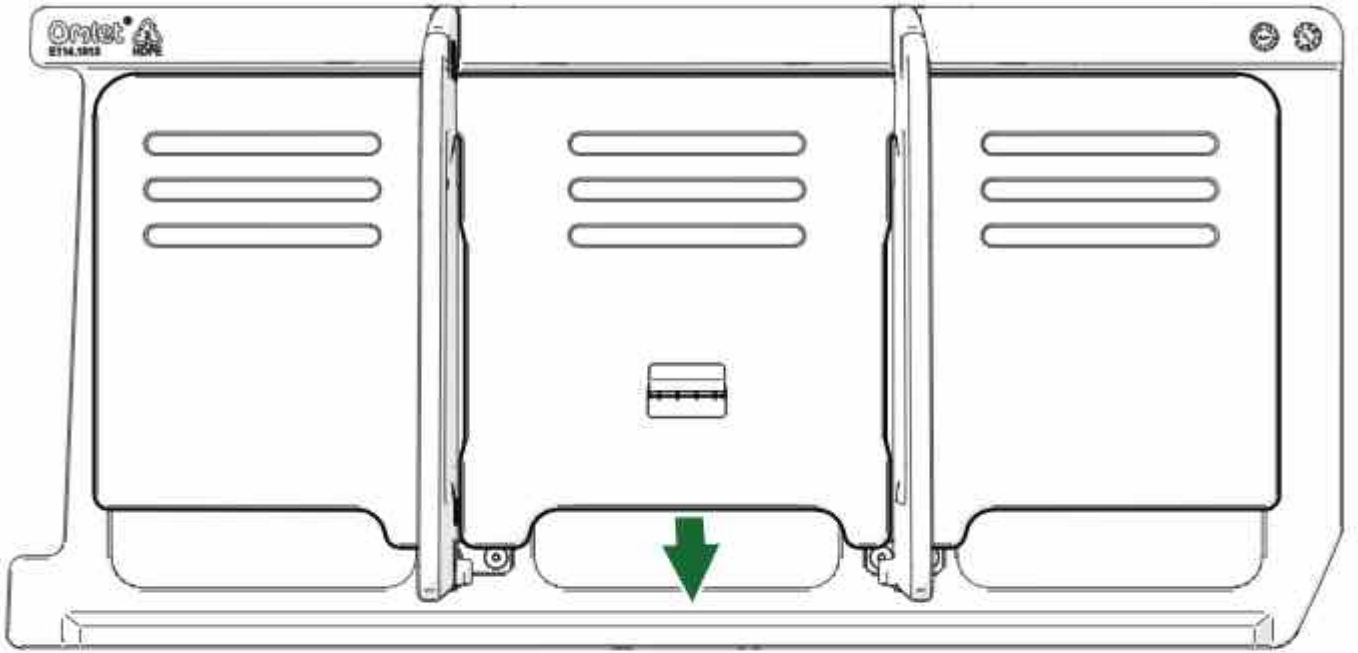
114.1013

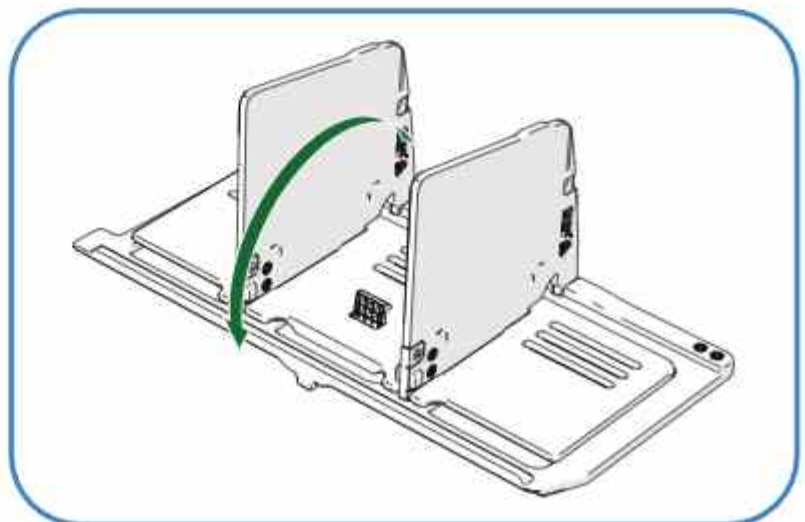
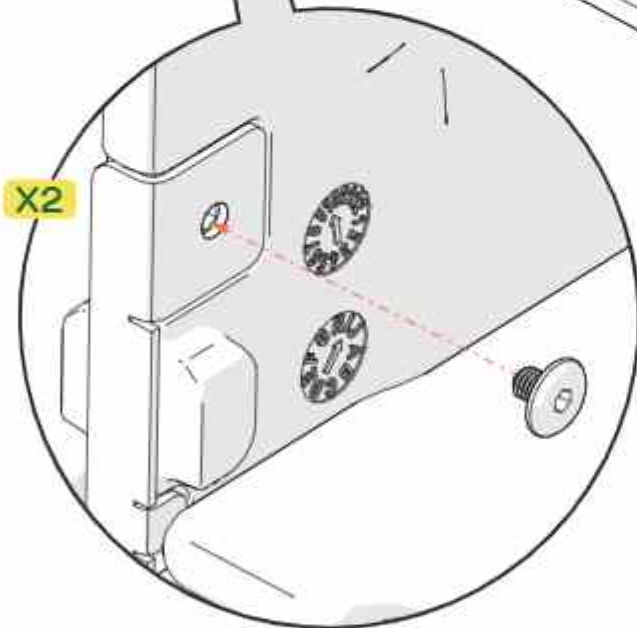
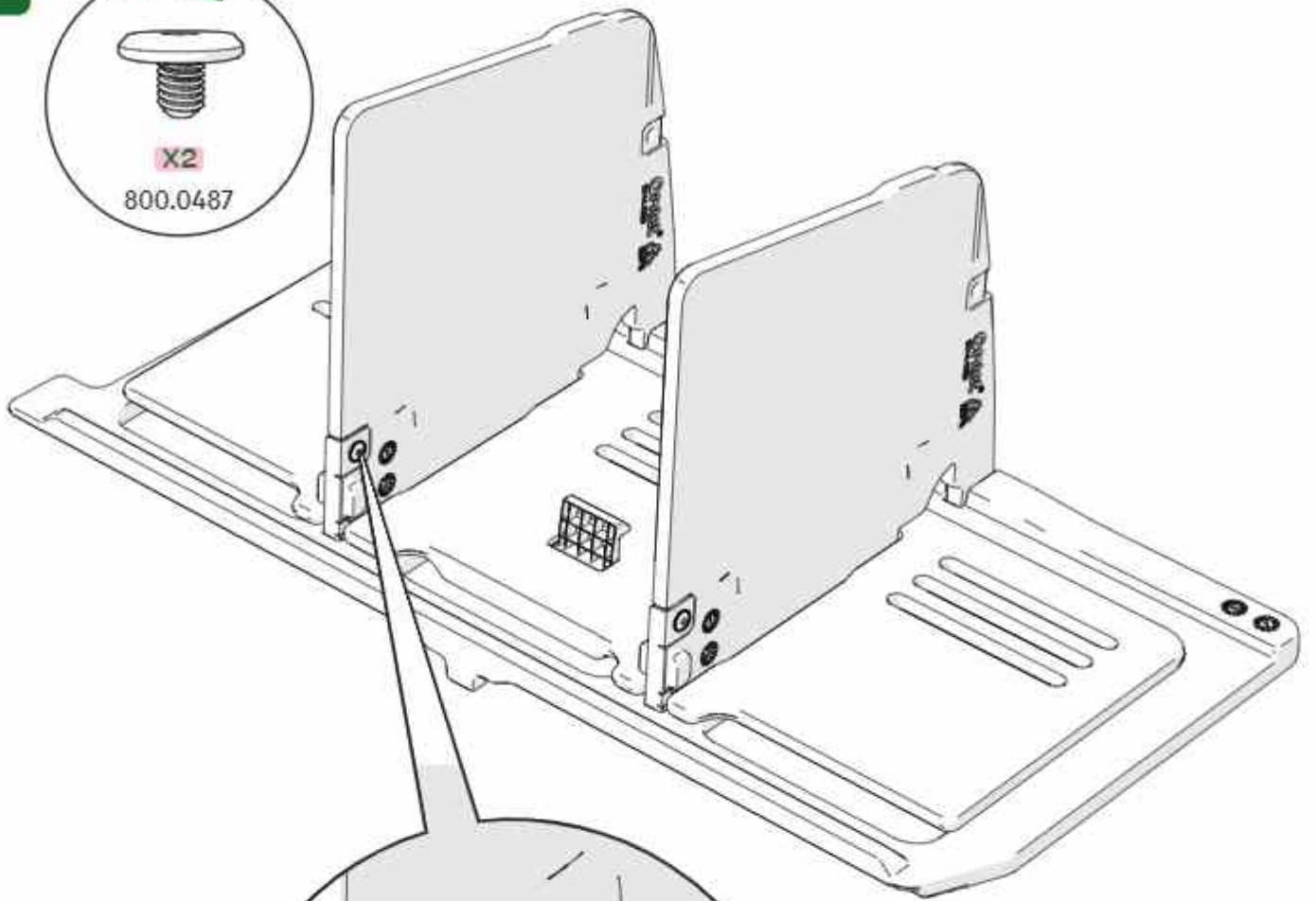
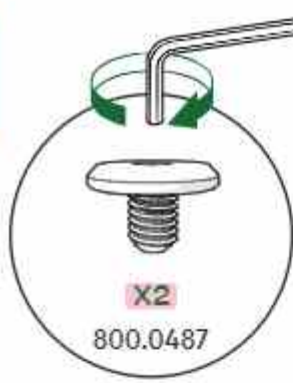
X2





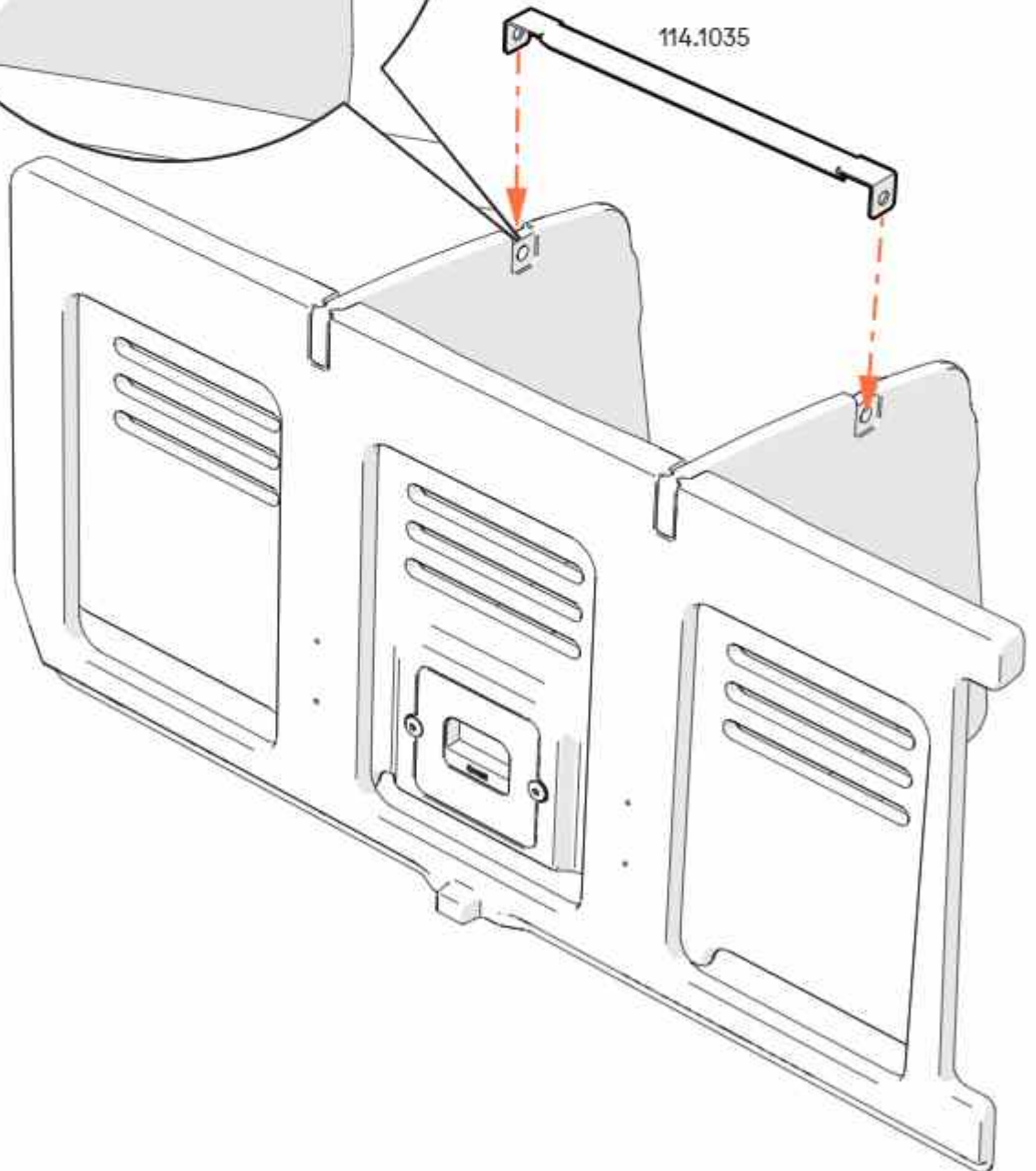
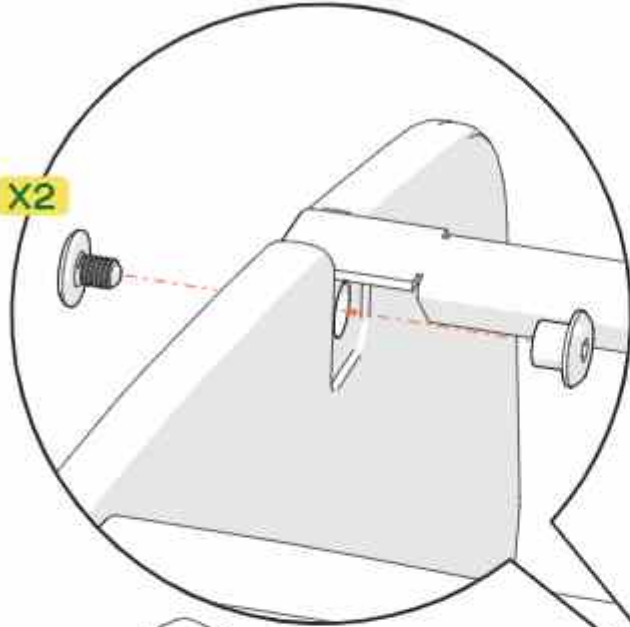
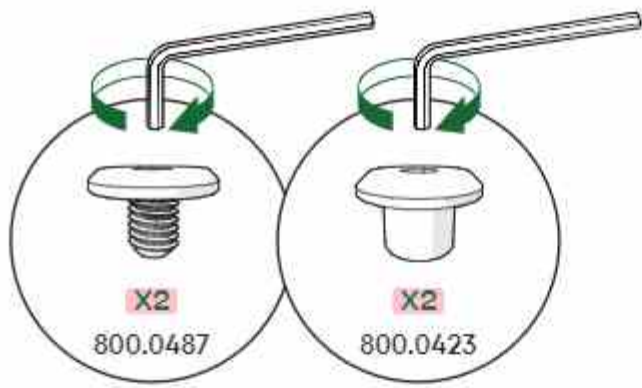


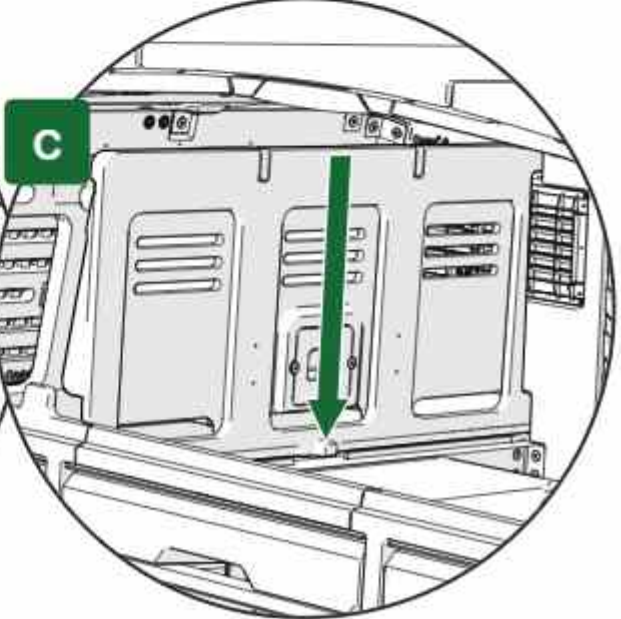
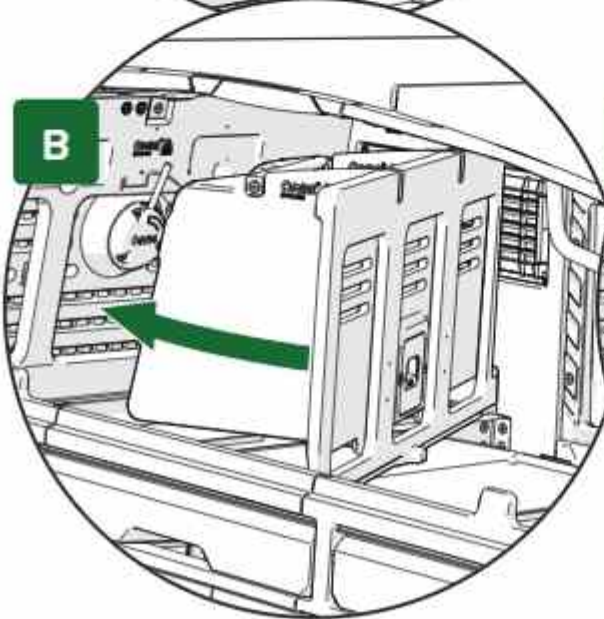
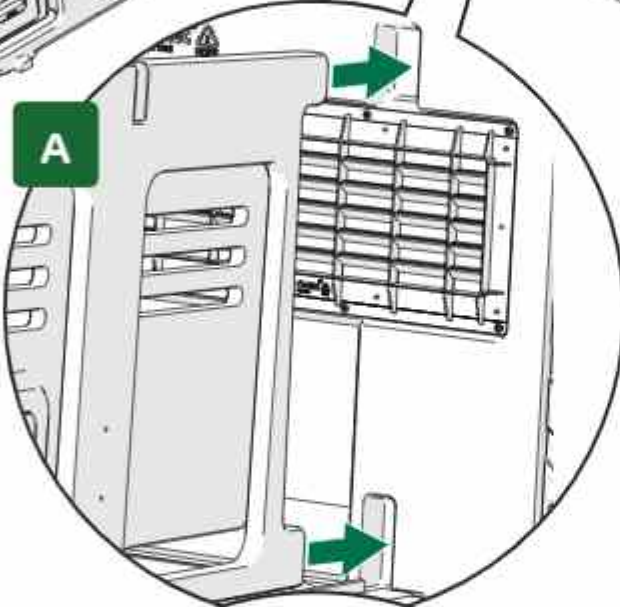
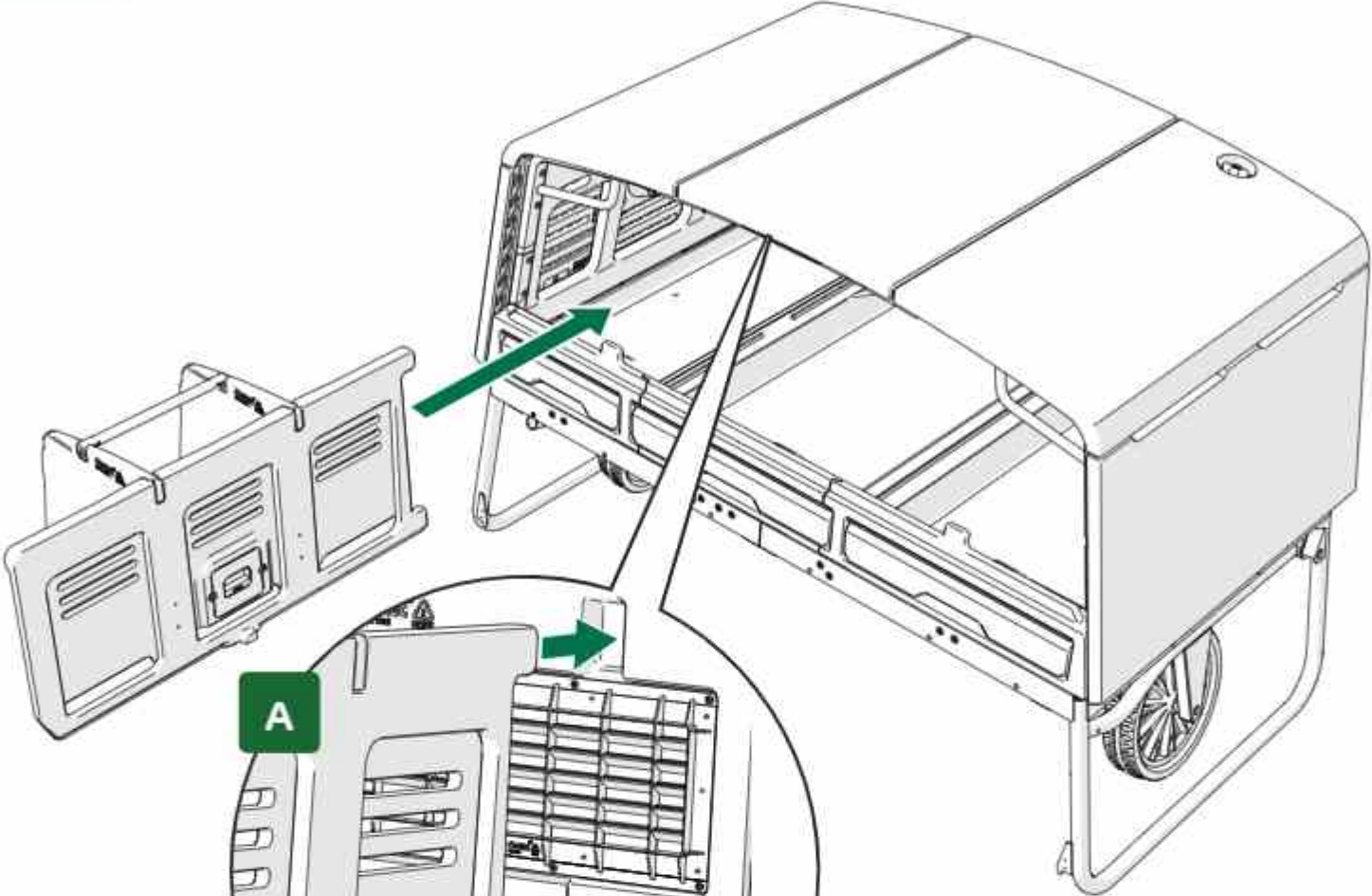


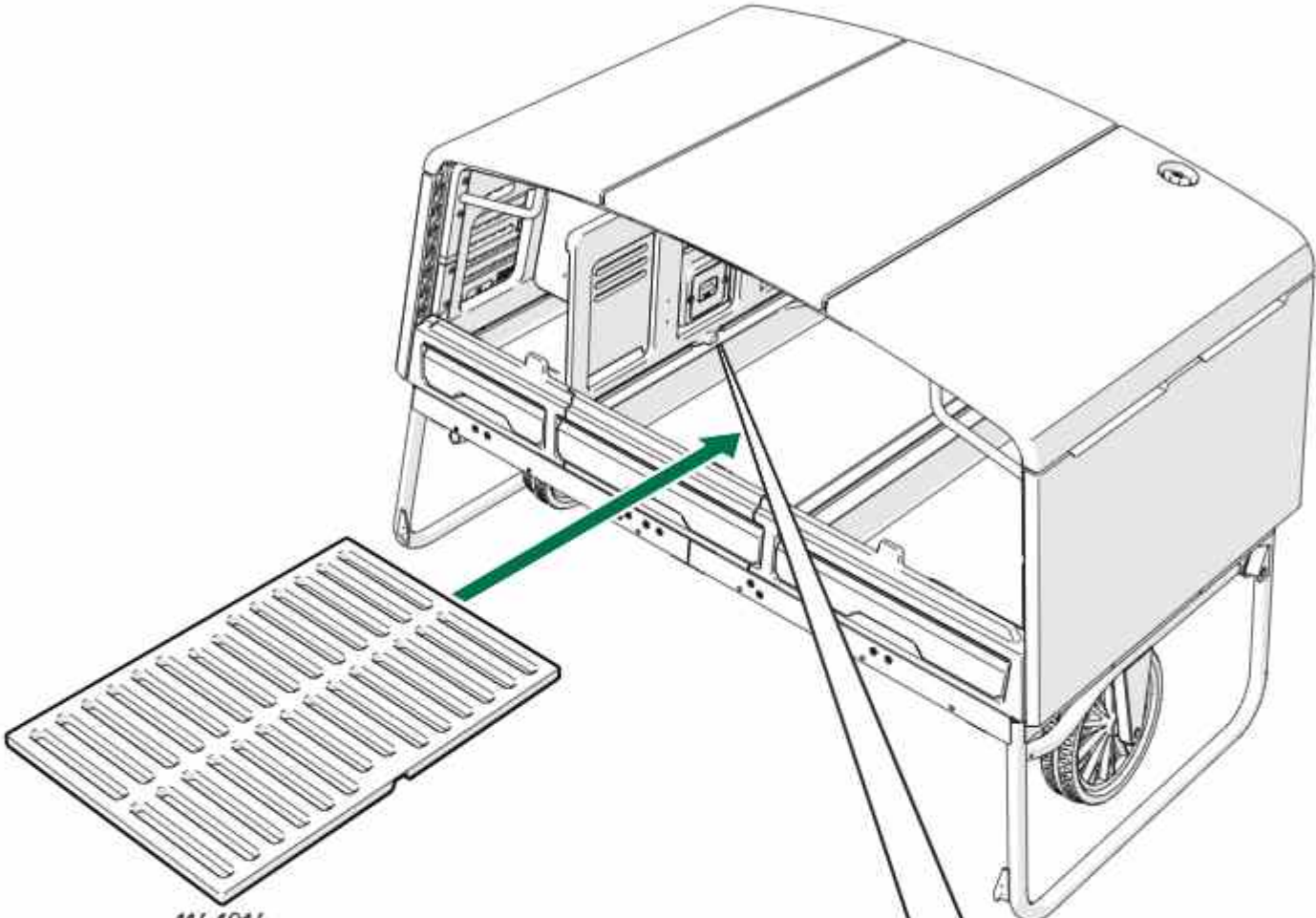


70

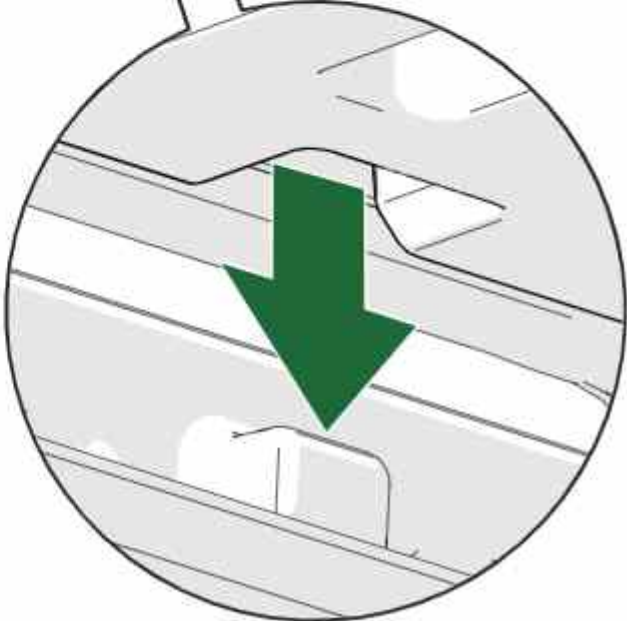
Brackets
Pack

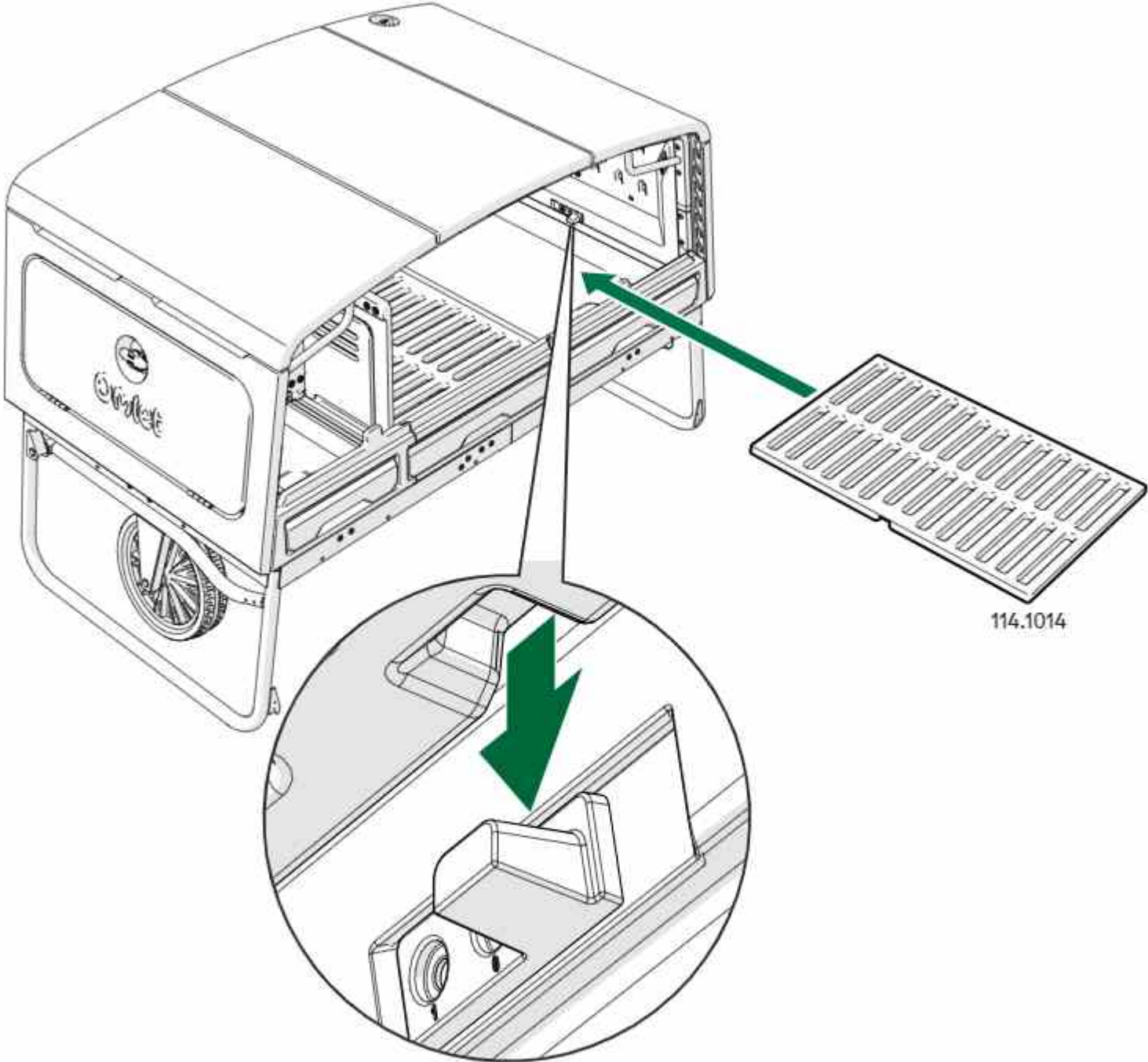






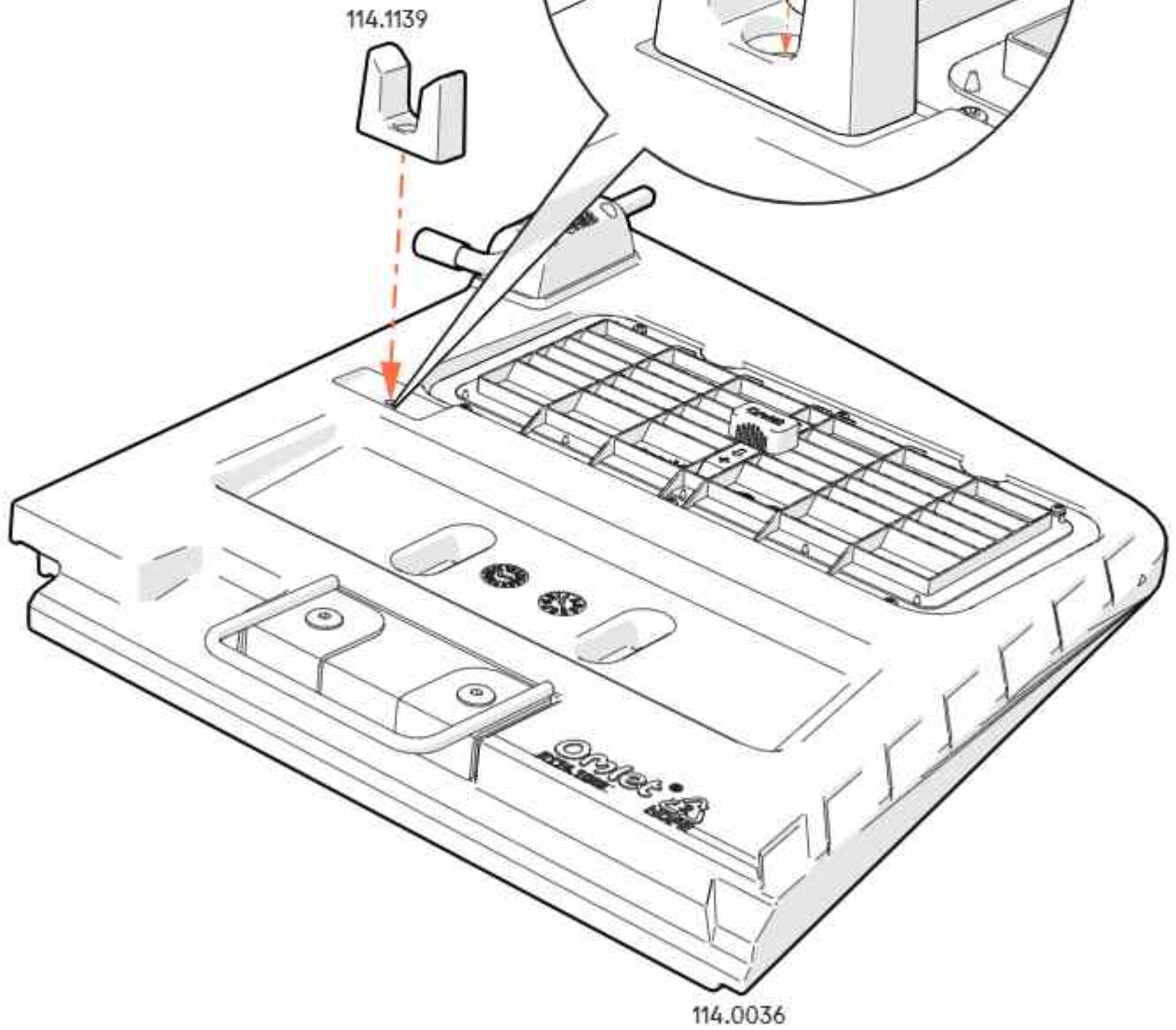
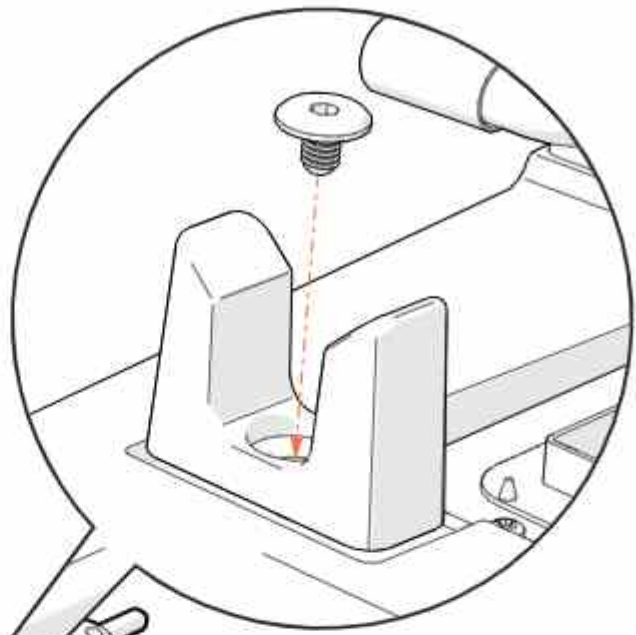
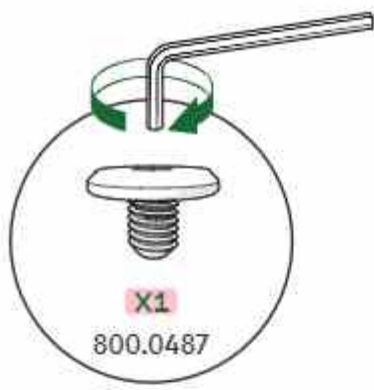
114.1014

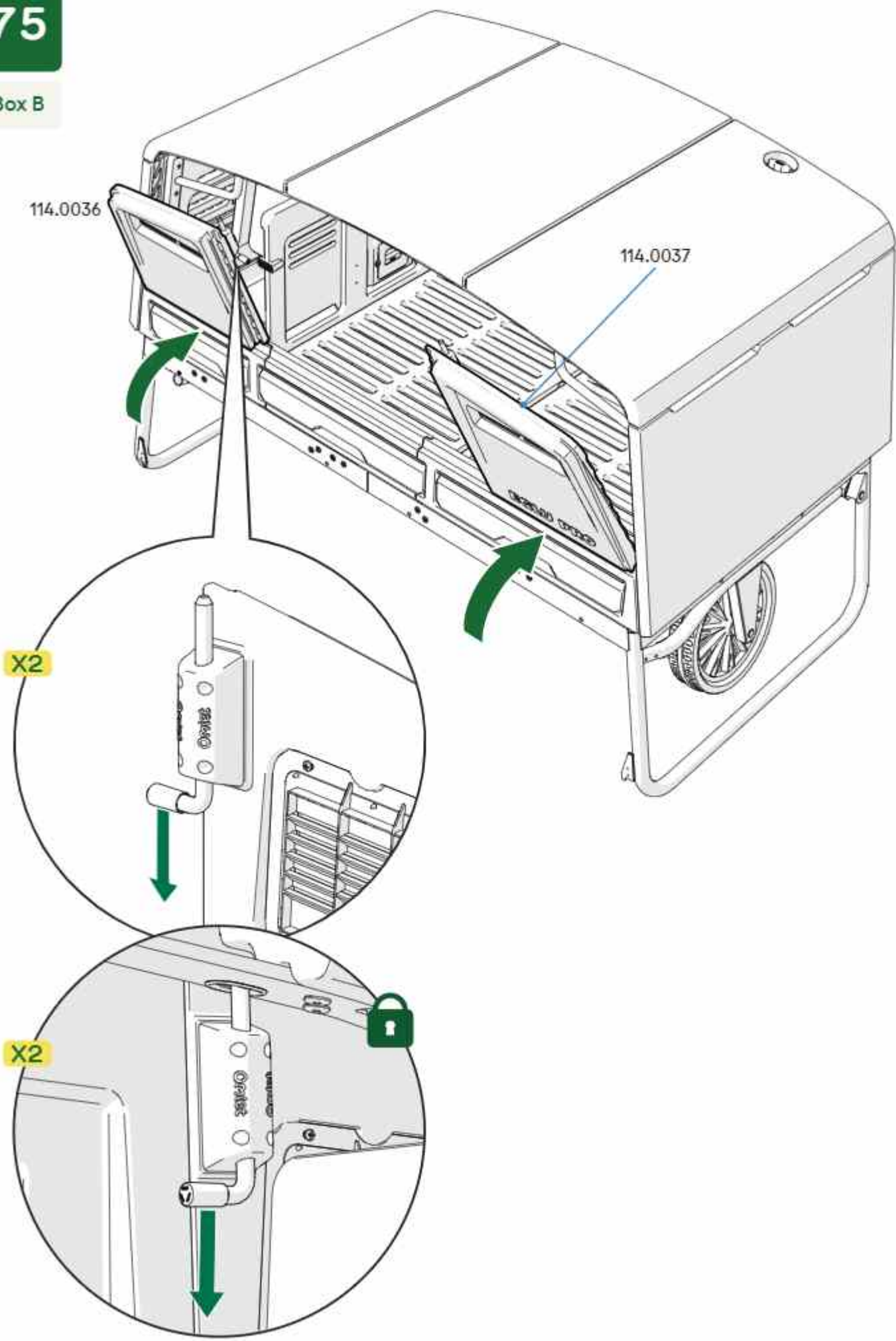


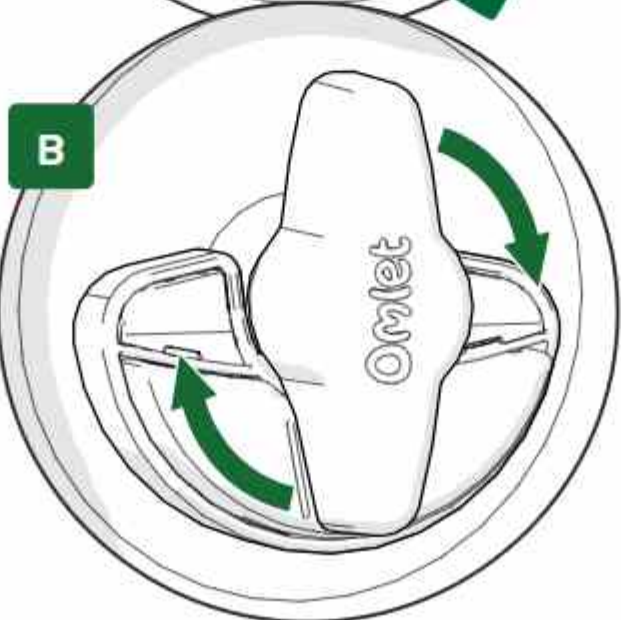
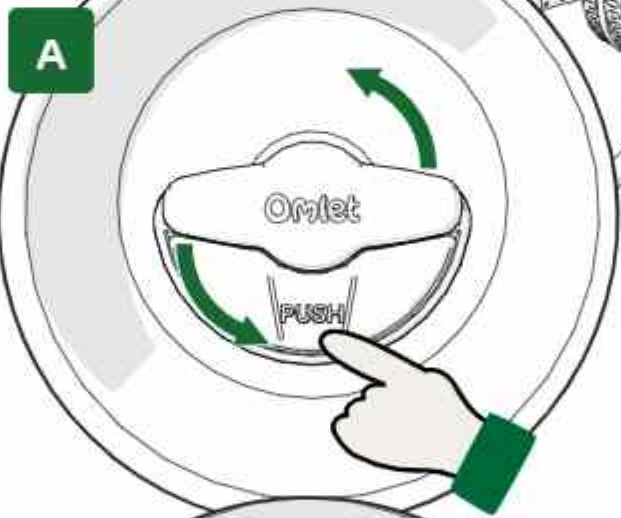
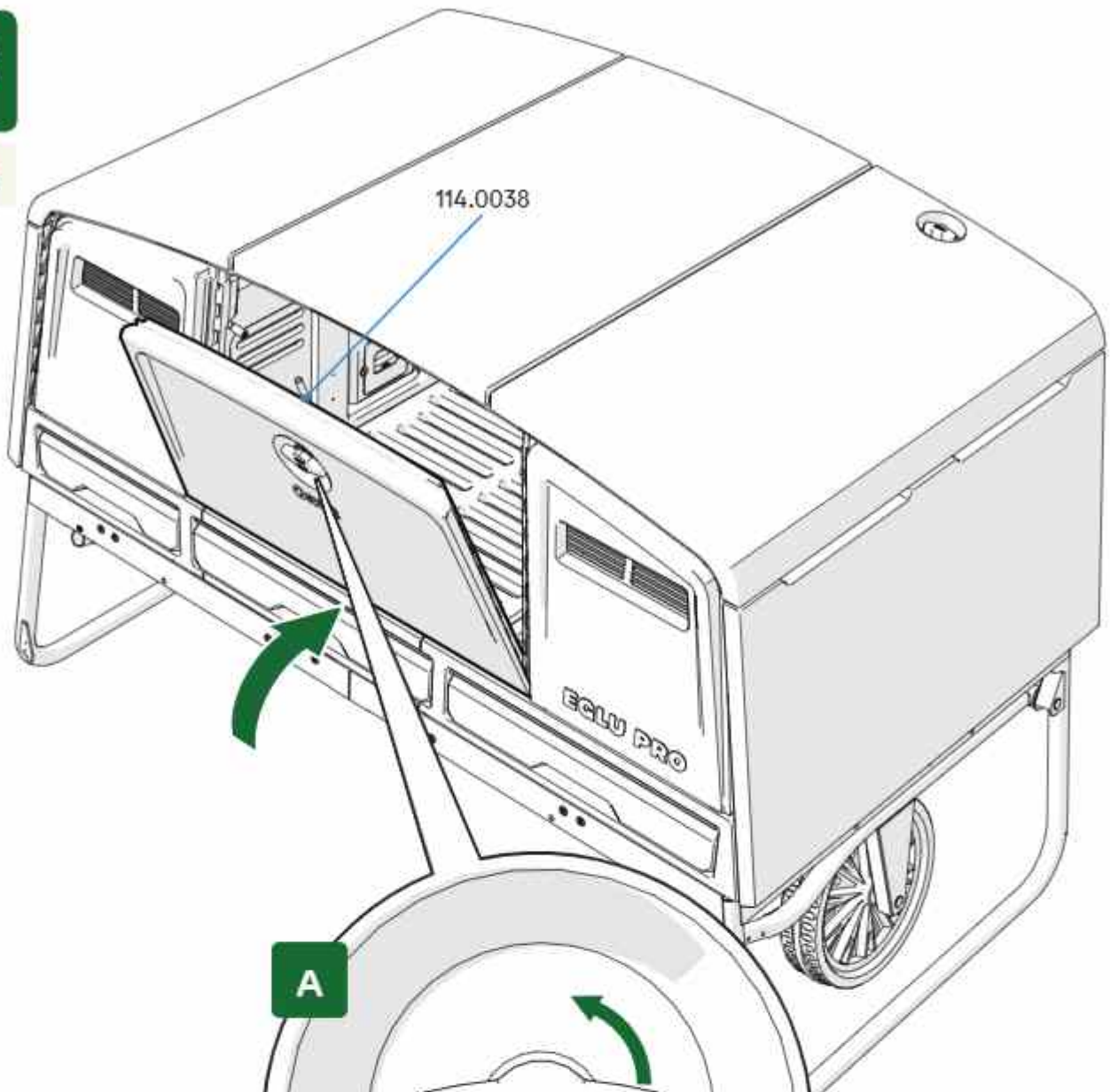


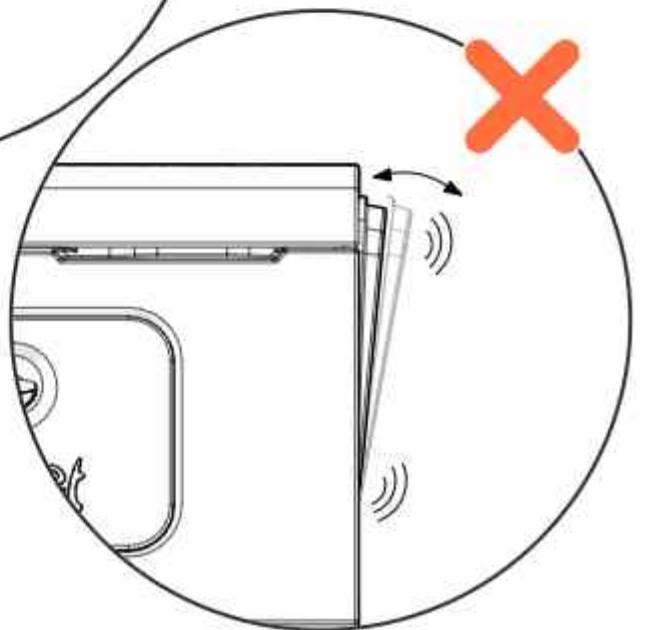
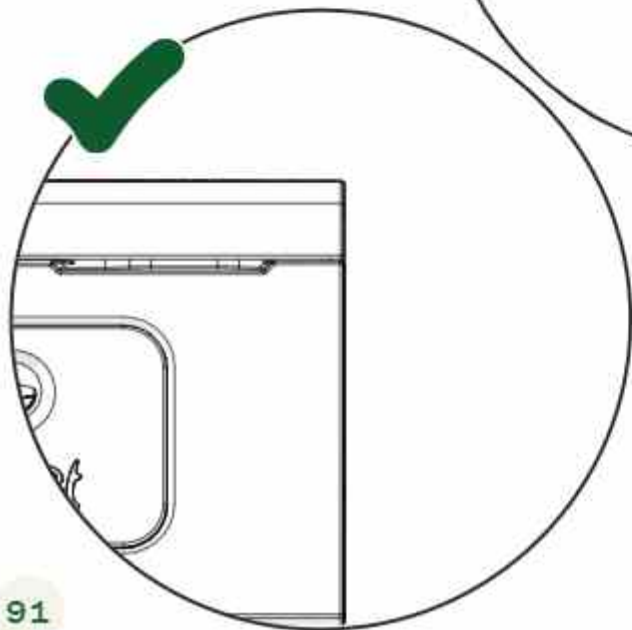
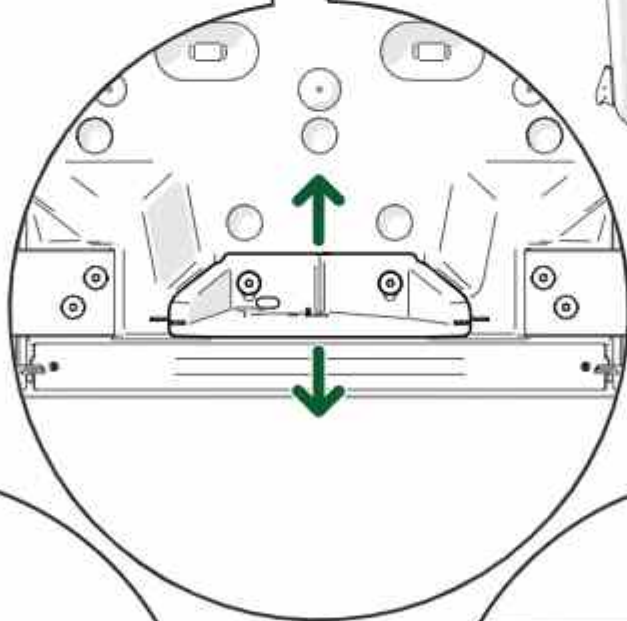
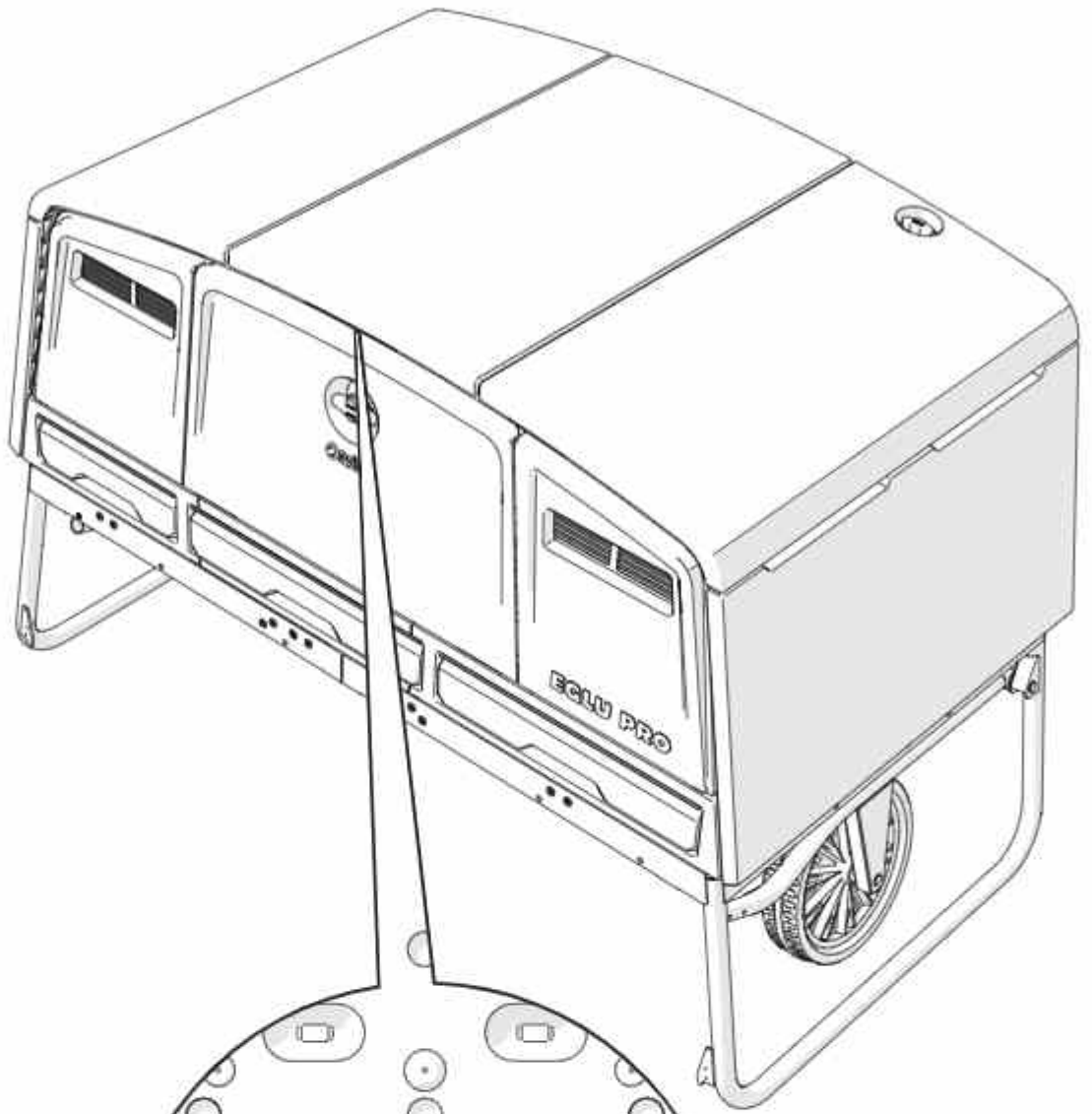
74

Plastics
Pack



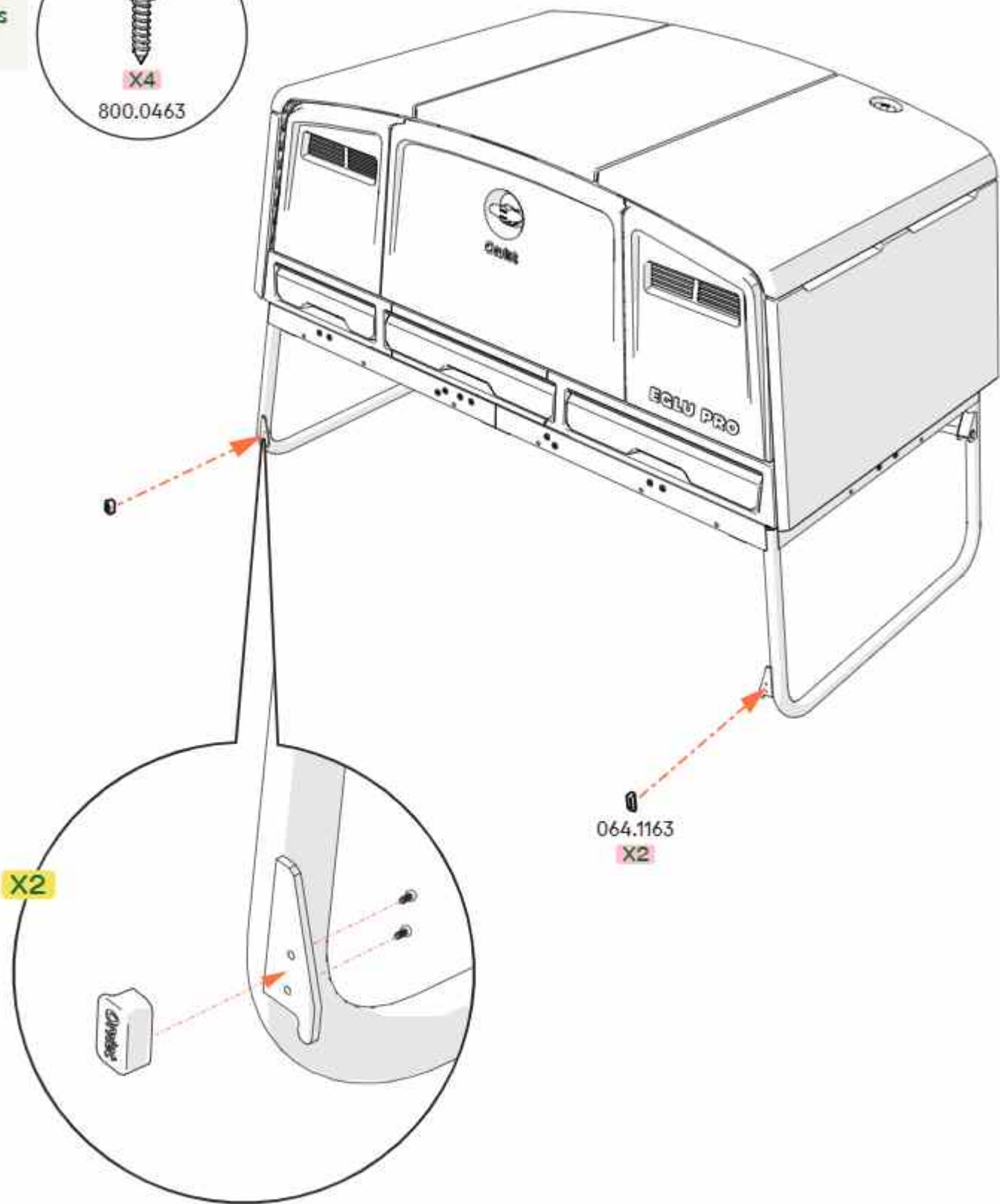
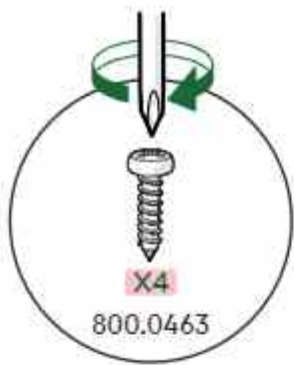






78

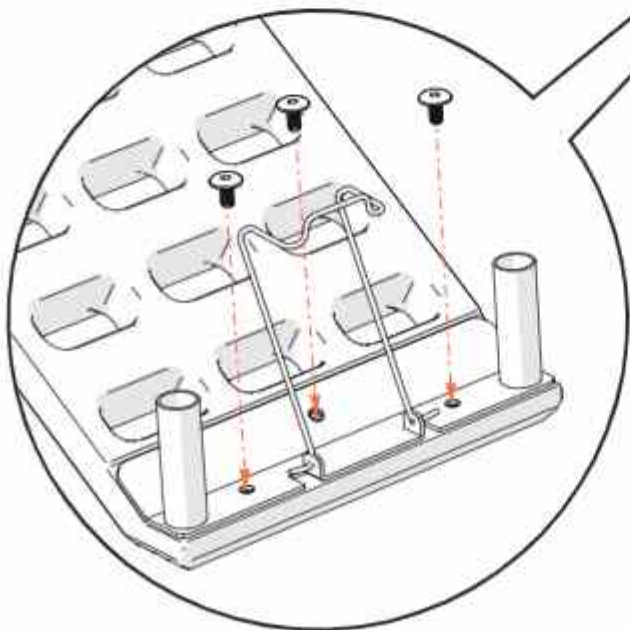
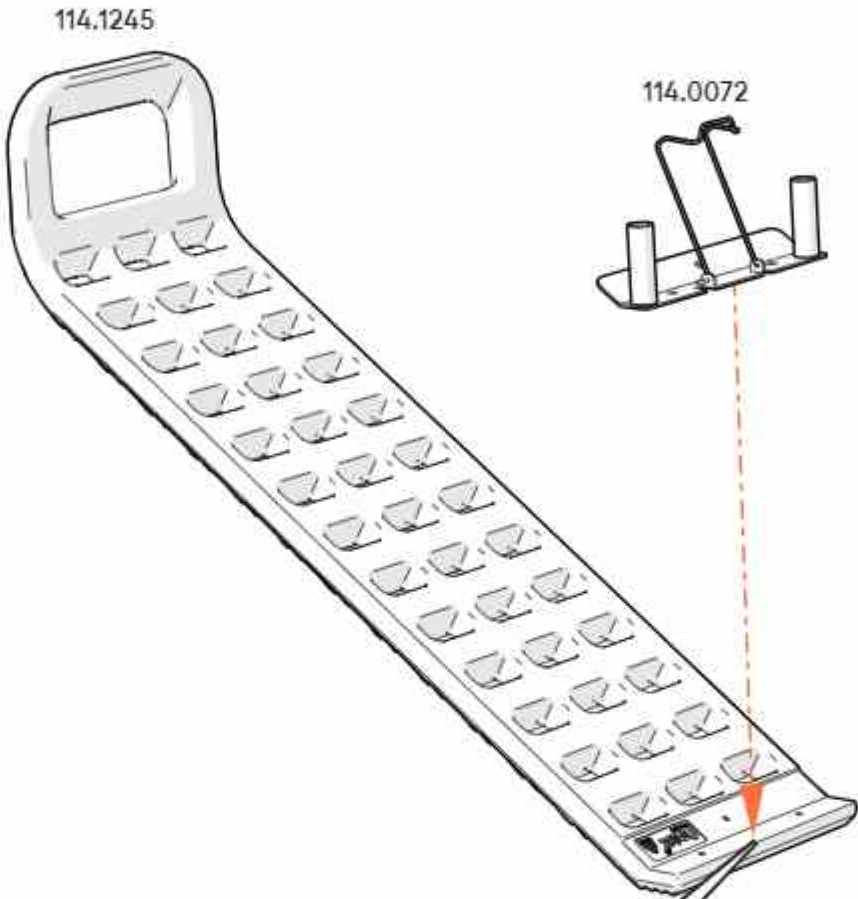
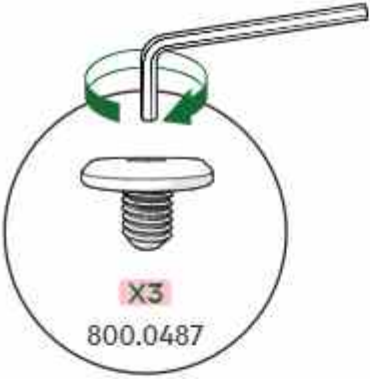
Plastics
Pack

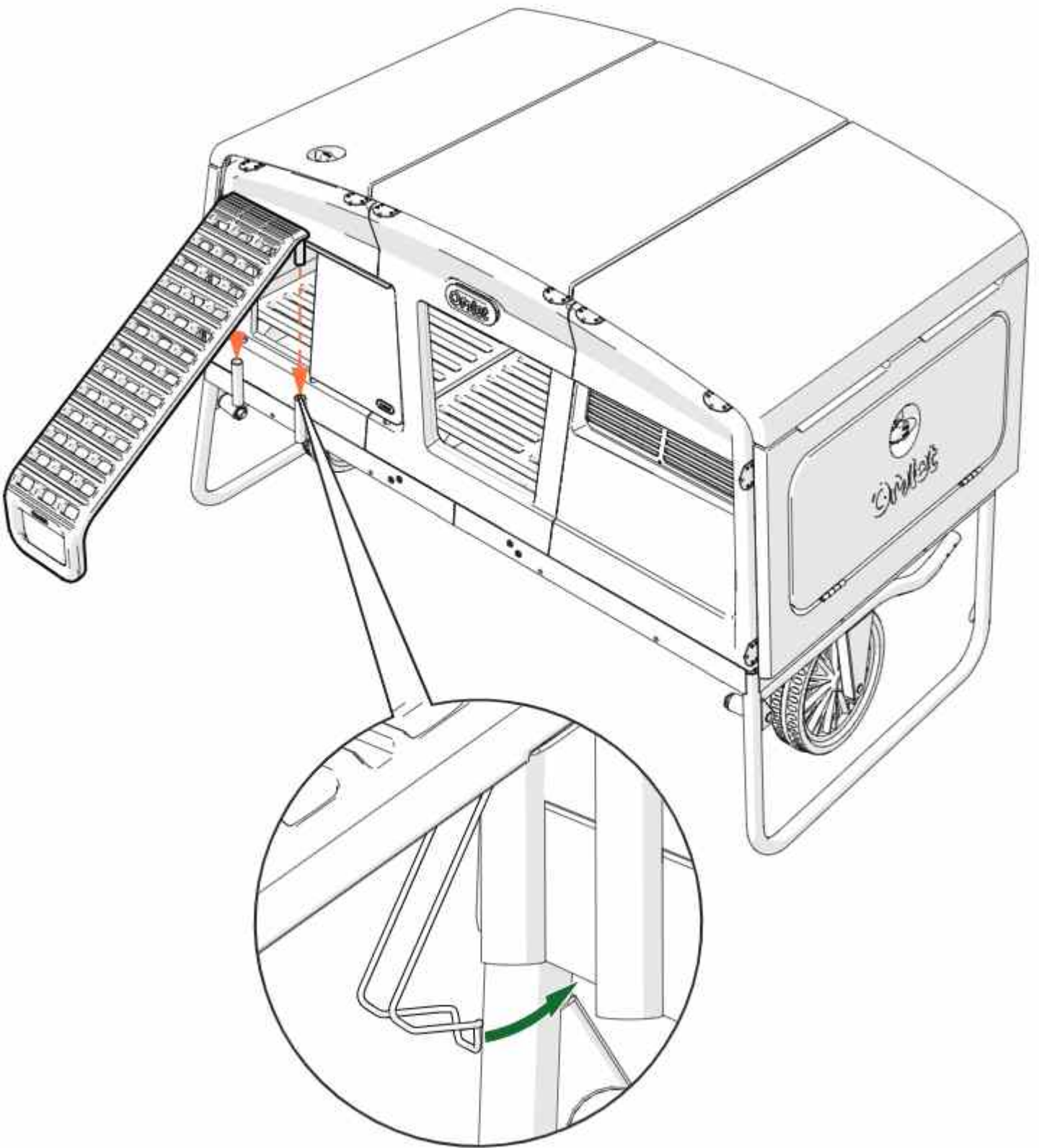


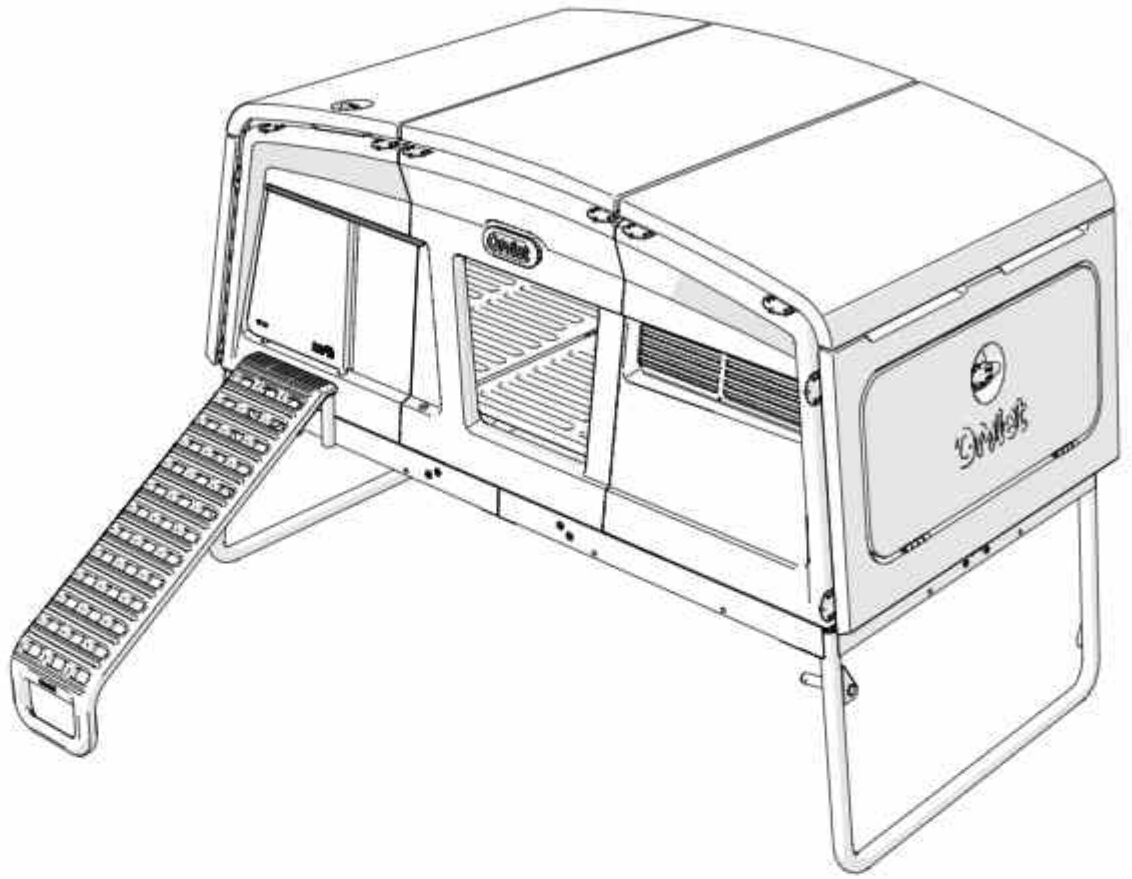
79

Box C

Brackets
Pack

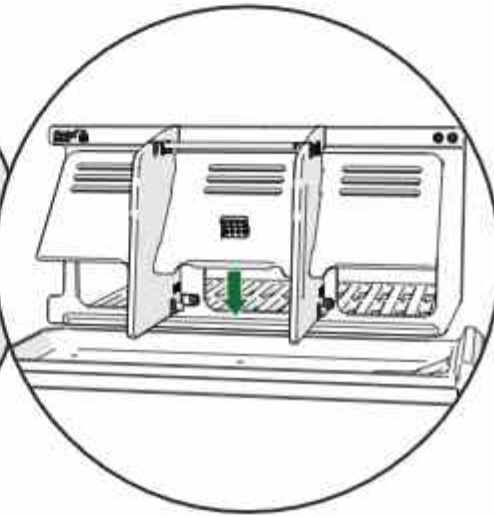
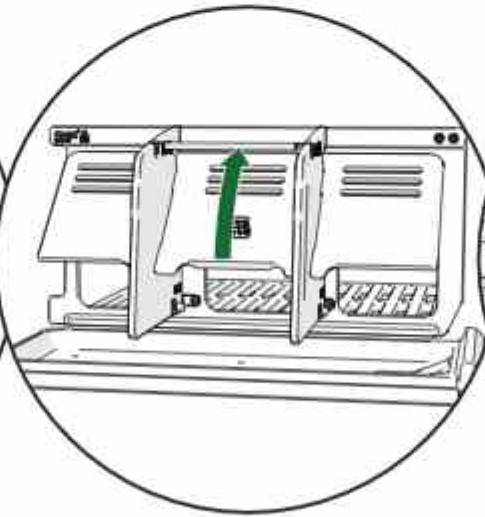
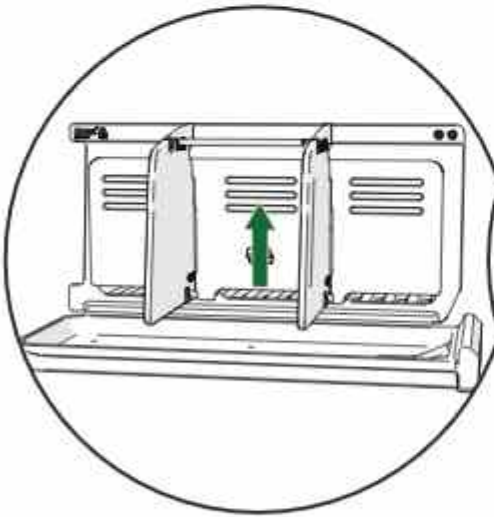
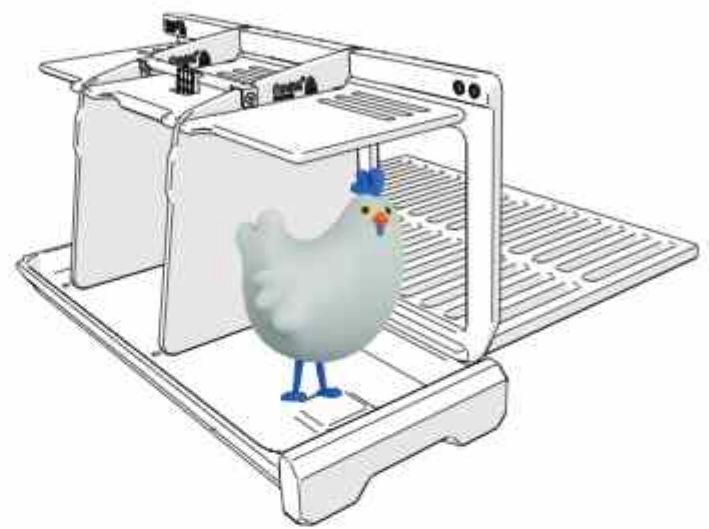


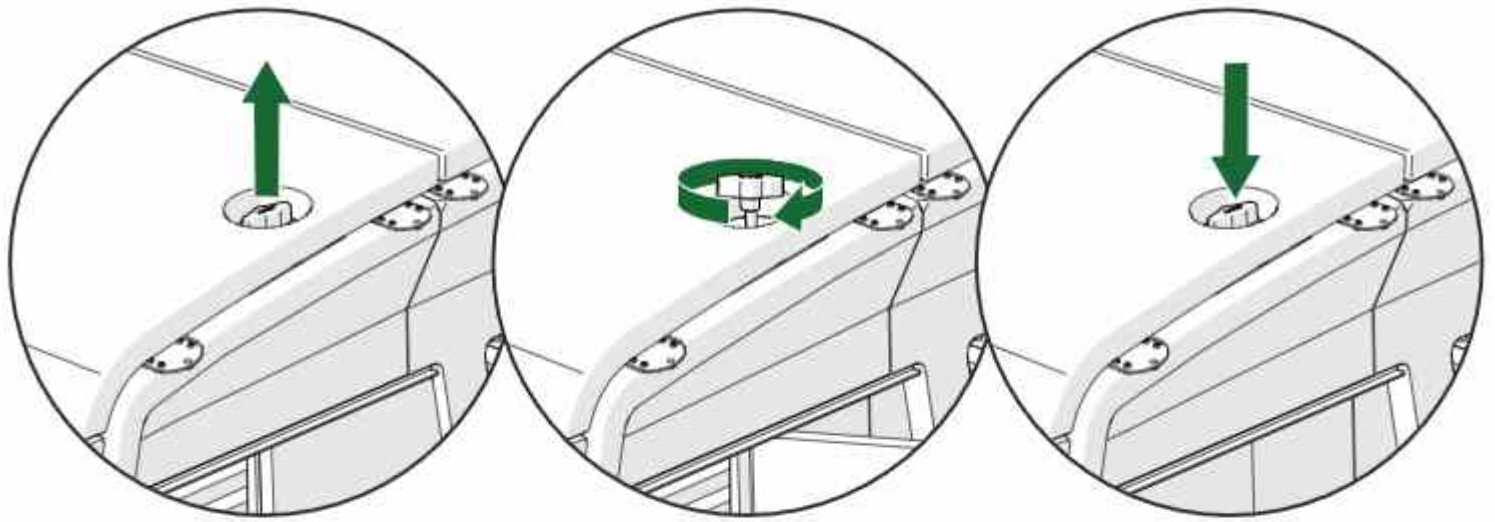




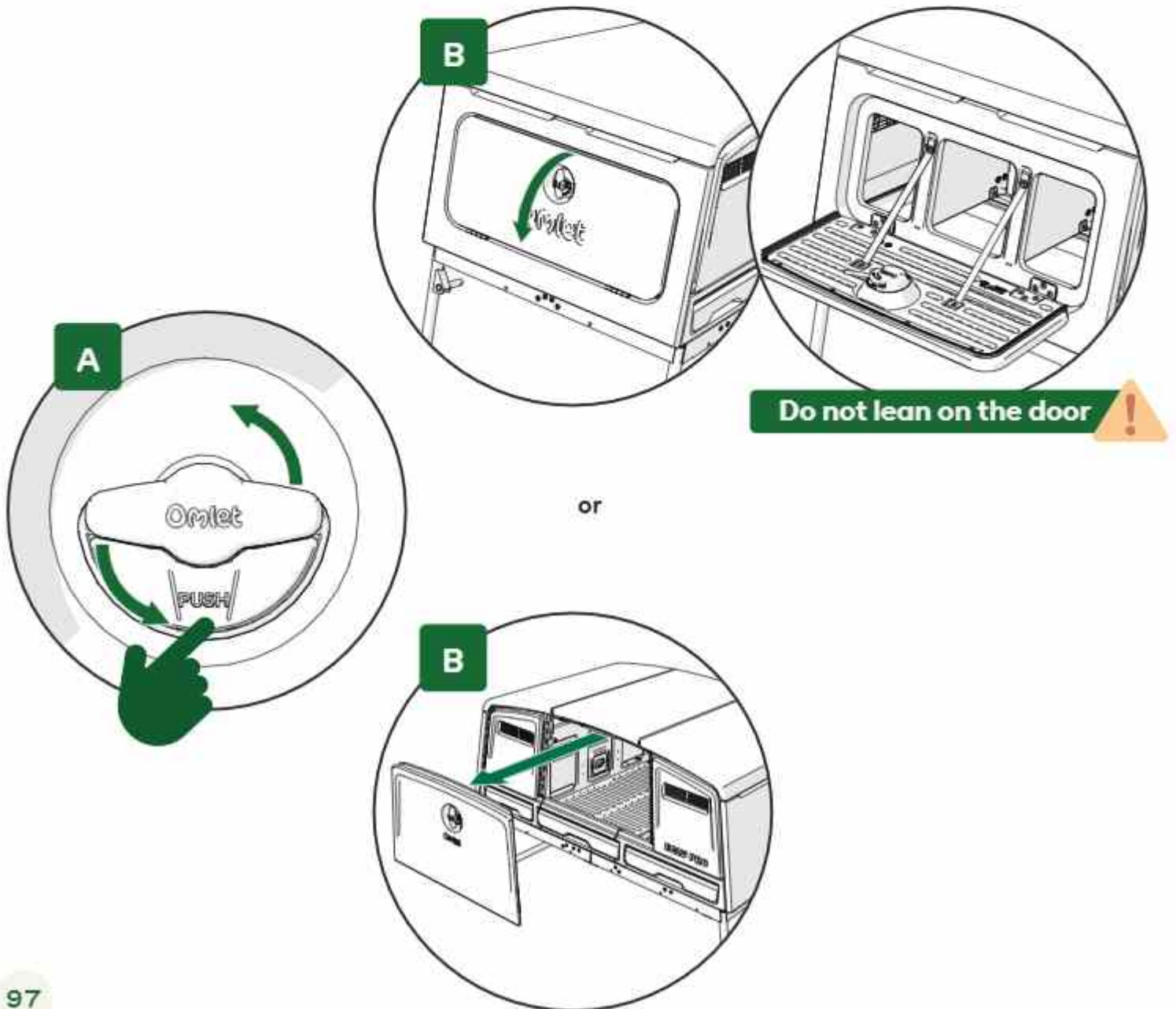
That's it! Unless you have an Eglu Pro Run, then please refer to these instructions now

Partition: The partition is used to keep your chickens in the roosting area at night

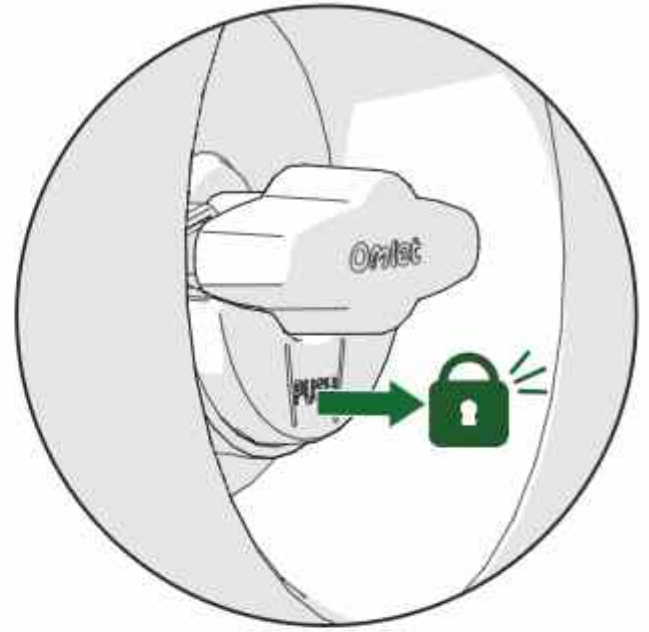
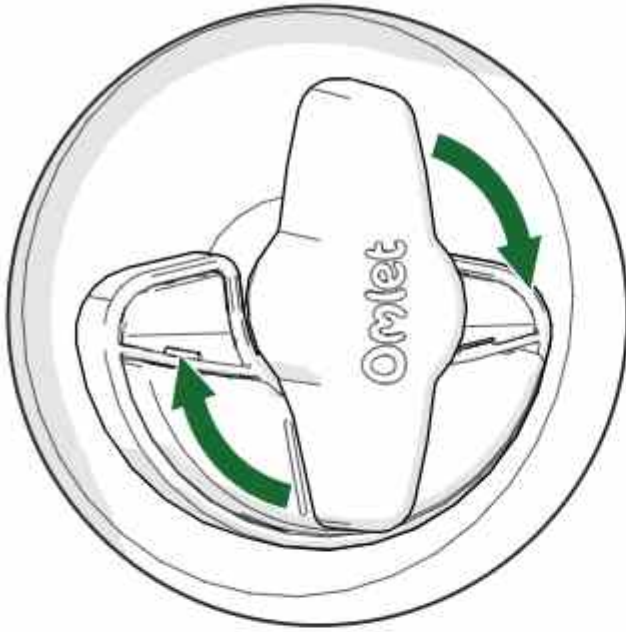




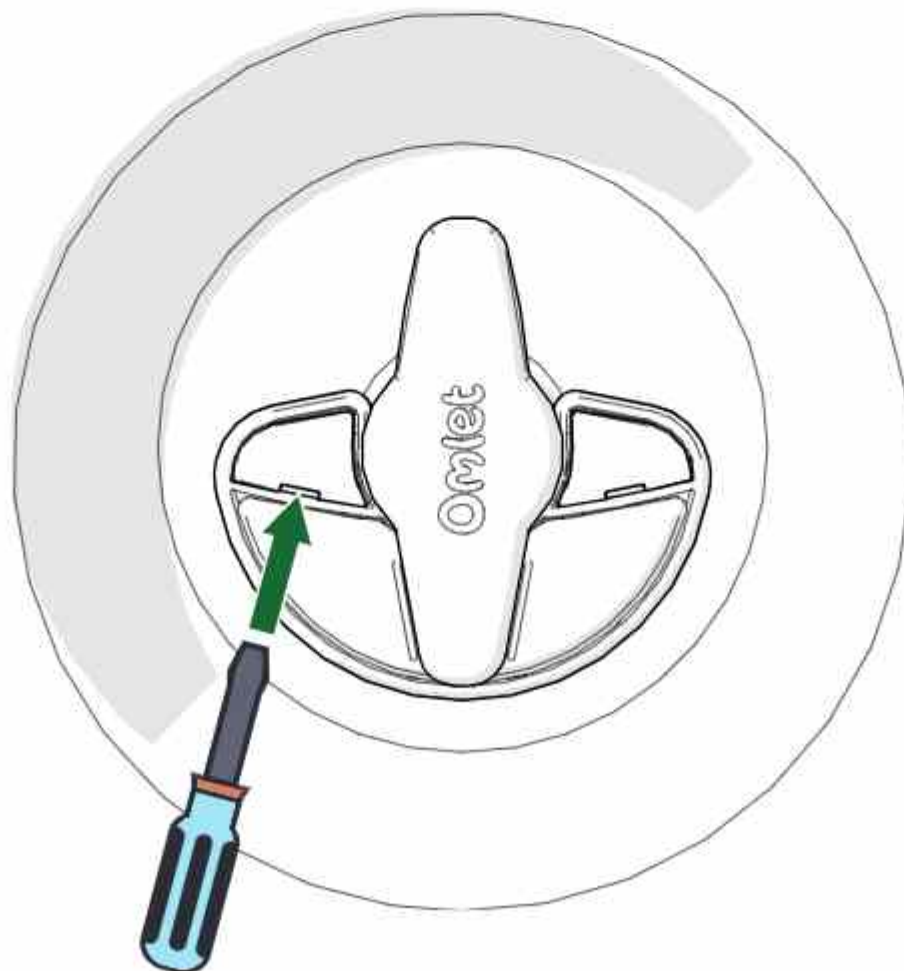
To unlock the T-handle, push the button and twist the handle at the same time



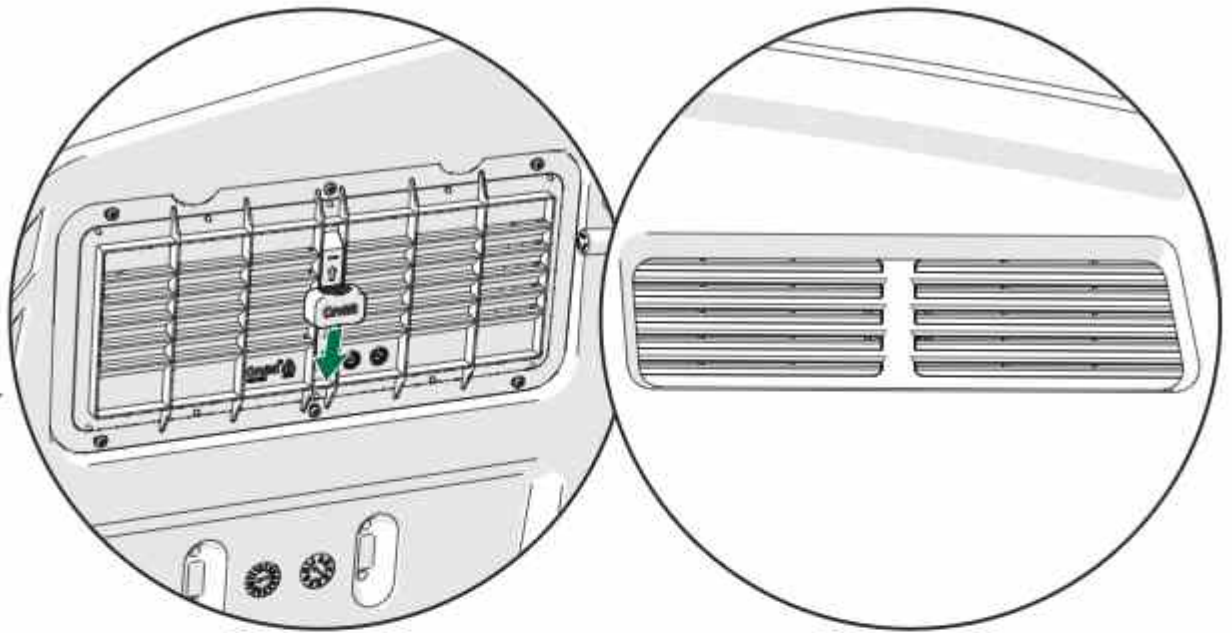
To lock the T-Handle, turn it to its horizontal position and ensure the push button springs up



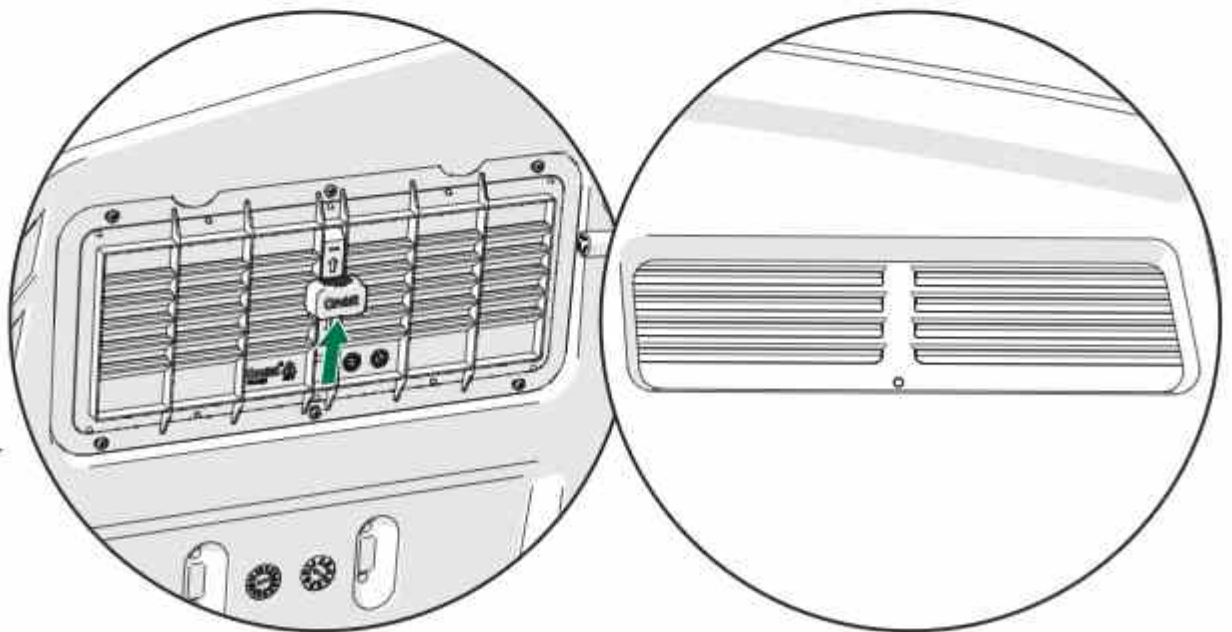
If you need to remove the lock, use a flat head screwdriver to lift out the screw caps (810.0443 + 810.0444)

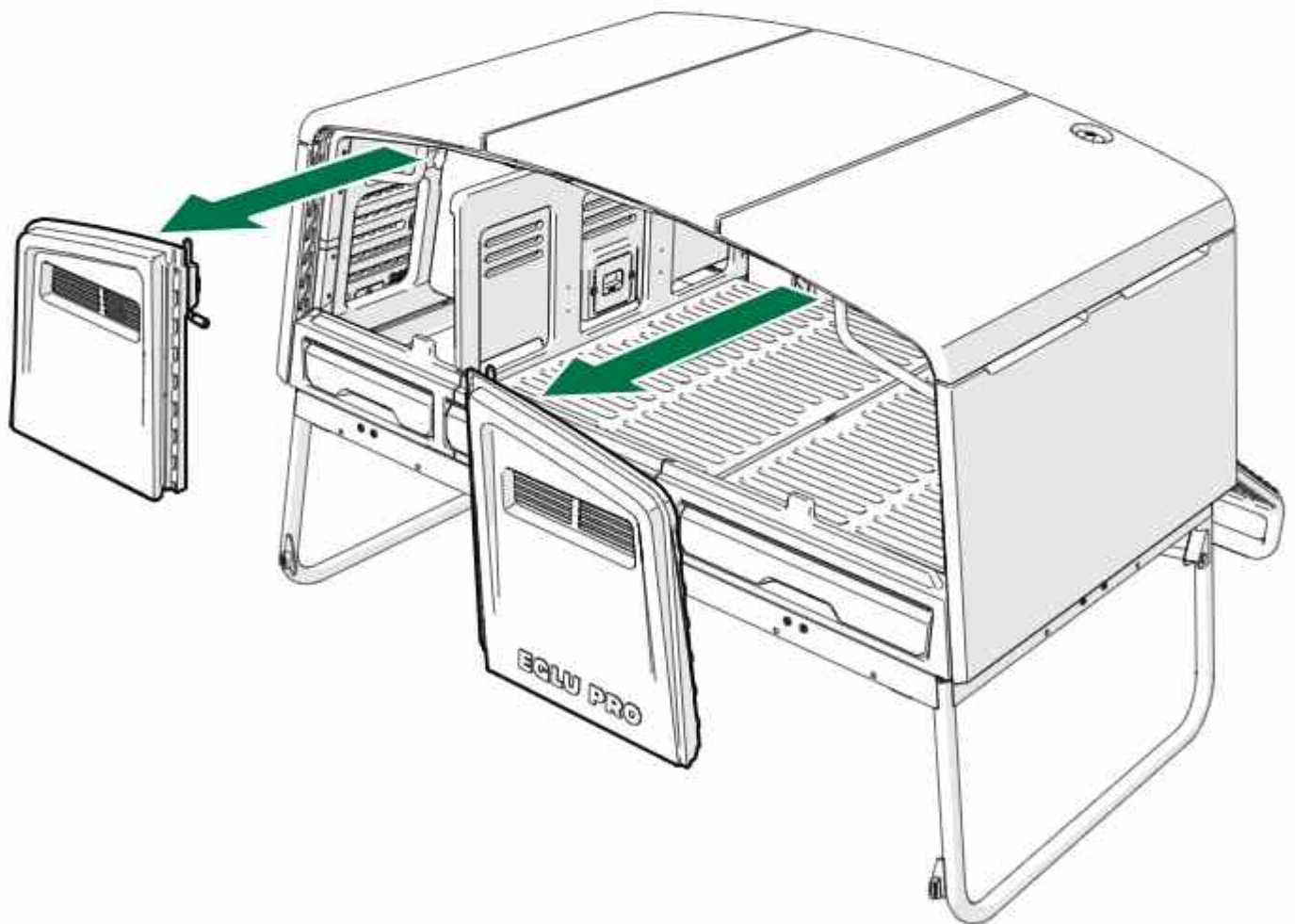
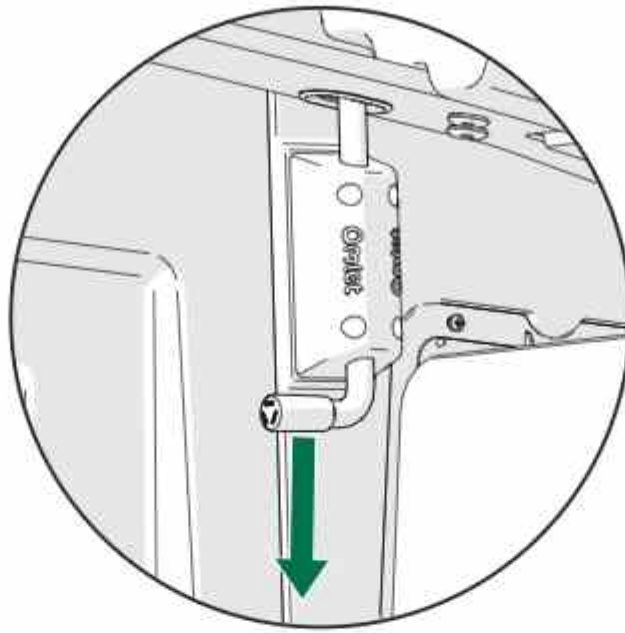


Vent Open:



Vent Closed:

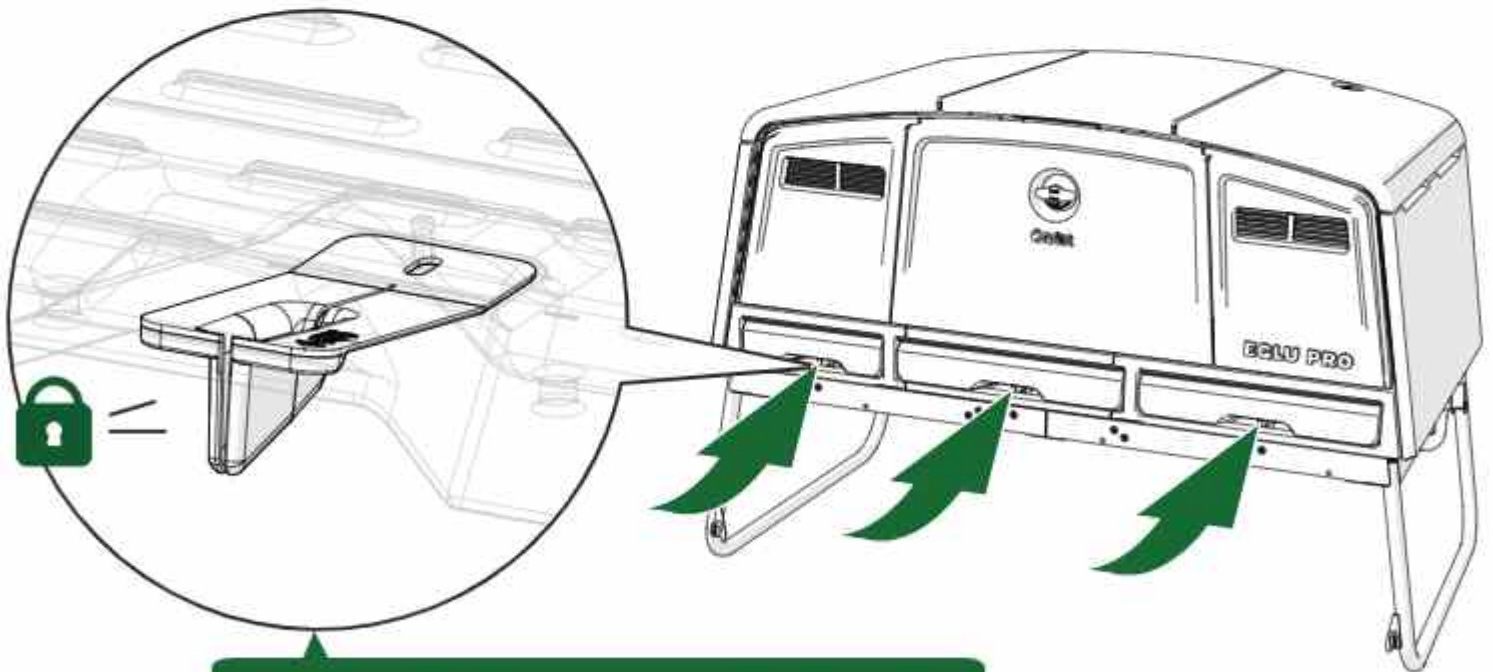
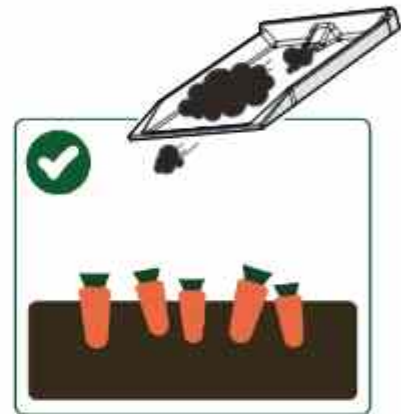




Deep Clean



Empty Droppings Tray



UK Make sure the clip engages when putting the tray back.

DOs

- Collect and enjoy your eggs everyday. Leaving eggs in the Eglu Pro can cause your chicken to go broody and not lay any eggs for a few weeks.
- Make sure your chickens always have access to food and clean water.
- Let your chickens out of the Eglu Pro every day. Not letting your chickens out will lead to distressed chickens and could lead to terminal overheating.
- Supervise children when they are using the Eglu Pro or interacting with the chickens.
- Take extra care when using the lawn mower around the 'skirt' of the run. Without care you will damage the 'skirt' with the lawn mower.
- Wash your hands thoroughly after coming into contact with the Eglu Pro or chickens.
- Be aware that chickens have sharp beaks and claws and they may peck or scratch at something that resembles food or looks interesting to them. Small shiny things are especially attractive to chickens.
- Check that the run door and rear panel are well secured. If they are not secure your chickens are at greater risk of escape and predators.

DON'Ts

- Do not sit or climb on the run. This is not only dangerous but can lead to the run being damaged.
- Do not let children inside the run or Eglu Pro. This could lead to them getting stuck.
- Do not leave the door of the run open while your chickens roost at night. This will compromise your chickens' safety by allowing predators to get into the run.
- Do not keep the Eglu Pro on uneven ground as this will make the run less secure. It can also cause the run 'skirt' to be a tripping hazard.
- Do not use bleach, solvents or strong detergent to clean the Eglu Pro. They could damage the plastic.
- Do not keep the Eglu Pro near sources of ignition, such as a bonfire or barbecue, because they could set the Eglu Pro on fire.
- Do not use the Eglu Pro to house animals other than chickens. It has not been designed for any other purpose.
- Do not keep more than 10 heavy breeds or 15 small breeds in the Eglu Pro with the standard run and extension.
- Do not use the wheels without an Eglu Pro Run attached.
- Do not rest more than 40kg on the door.

HERE'S WHERE IT STARTS



Omlet



Please reuse,
compost,
recycle.

© Copyright Omlet Ltd. 2024

Design registered, patent pending

Omlet and Eglu are registered trademarks of Hebe Studios Ltd.

820.0944_Instruction Manual Eglu Pro Frame & Coop & Wheels_30/01/2024

