

EGLU PRO

Run assembly guide



Omlet

LET'S DO THIS

Ever tried Origami? With a pinch of patience, a flat piece of paper becomes something wonderful. Building an Omlet product works along the same lines. Follow our step by step instructions and watch your expertly engineered creation take shape.



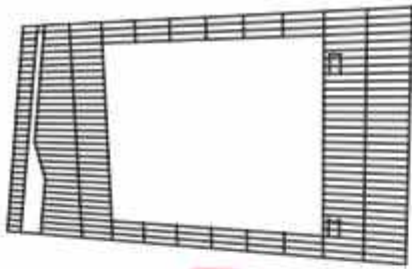
www.omlet.us/how_to_build





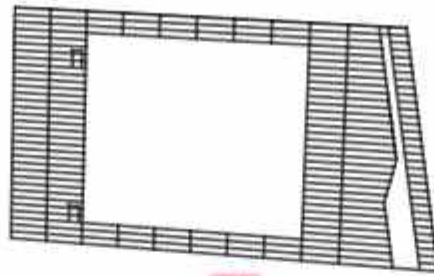
What you have received

114.0106 Eglu Pro Box G Run



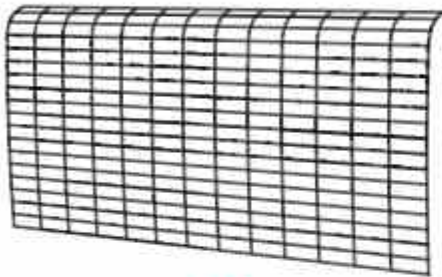
X1

Run Panel Frame Rear Left
114.0098



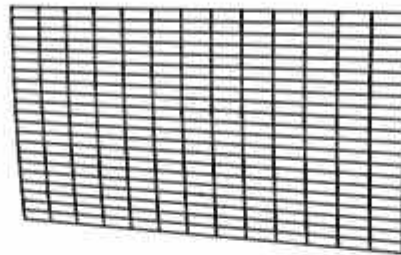
X1

Run Panel Frame Rear Right
114.0099



X2

Run Panel Roof Side
114.1204



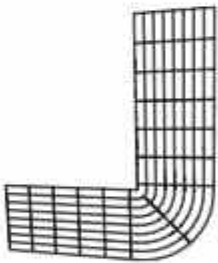
X3

Run Panel Upper
114.1205



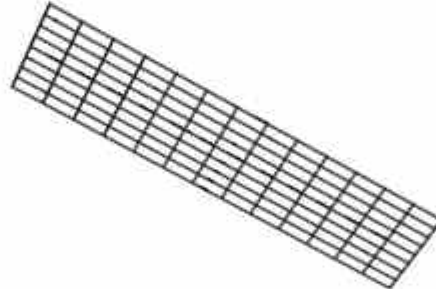
X2

Run Panel Door Rear
114.1209



X4

Run Panel Skirt Corner
114.1217



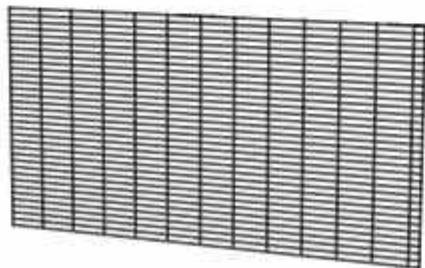
X4

Run Panel Skirt Straight
064.1074



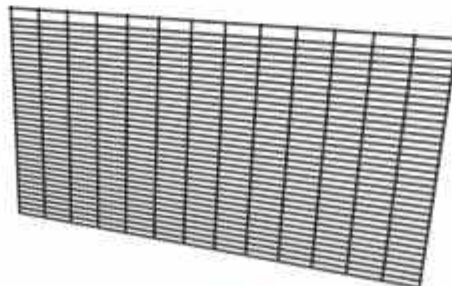
X2

Skirt Support
064.1078



X2

Run Panel Frame Side 14mm
064.1265



X2

Run Panel Side 14mm
064.1267



X1

Run Roof Brace Tube
810.0503

114.0128 Eglu Pro Run Fasteners Pack

114.0082 Bagged Arm Track Guards



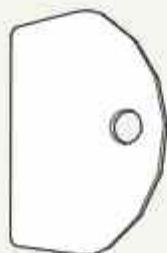
X2

Arm Track Guards
064.1188



X12

Cable Tie
800.0103



X10

Bracket Plate
114.1141



X24

Cable Tie
800.0103



X4

M6x60mm Bolt
800.0447



X8

M6 Washer
800.0459



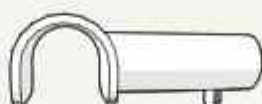
X10

M6x12mm Bolt Black
800.0472



X4

M6 Lock Nut
800.0492



X1

Run Roof Brace Hook
810.0511



X8

Hinge Cap Mk2
810.1145



X4

Hinge Pin Mk2
810.1146

810.0024.006000 Bagged Mighty Clip A



X6

810.0135

810.0139.093 Bagged Mighty Clip C



X93

810.0134

810.0189.011 Bagged Mighty Clip E



X11

810.0185

810.0199.027 Bagged Mighty Clip G



X27

810.0131

114.0107 Eglu Pro Box H Run Doors



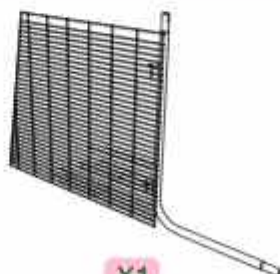
X1

Run Door Top
114.0080



X1

Run Door Bottom
114.0081



X1

Run Door Frame Bottom Left
114.0089



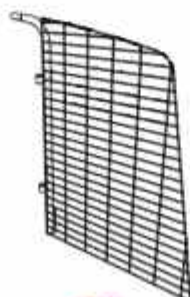
X1

Run Door Frame Bottom Right
114.0090



X1

Run Door Frame Top Left
114.0091



X1

Run Door Frame Top Right
114.0092



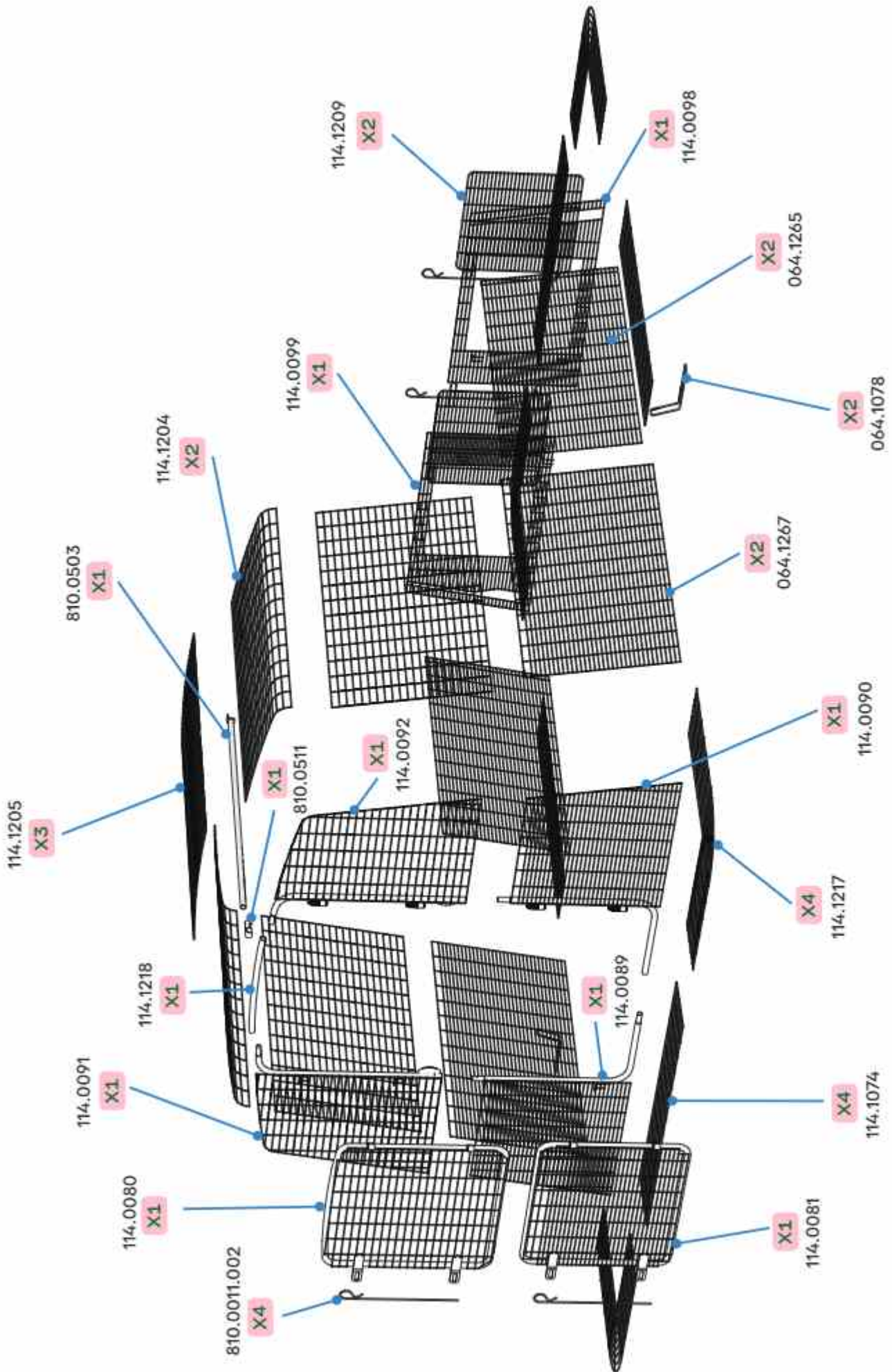
X1

Run Door Frame Top Middle
114.1218



X4

Run Door Pin
810.0011.002



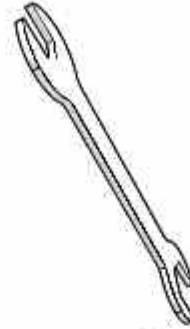
You will need...



Can be found in 114.0100 Eglu Pro Box A Frame

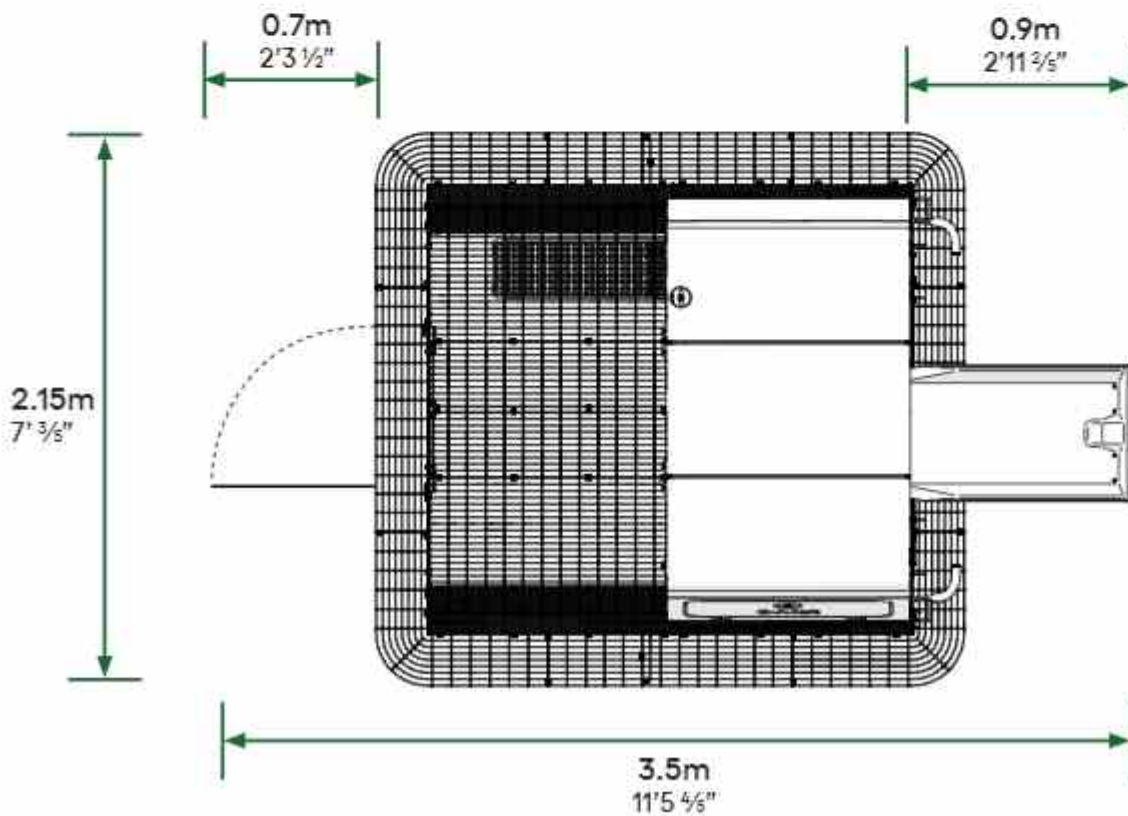
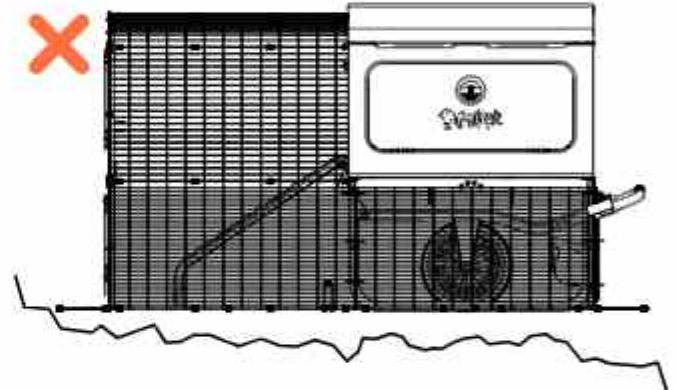
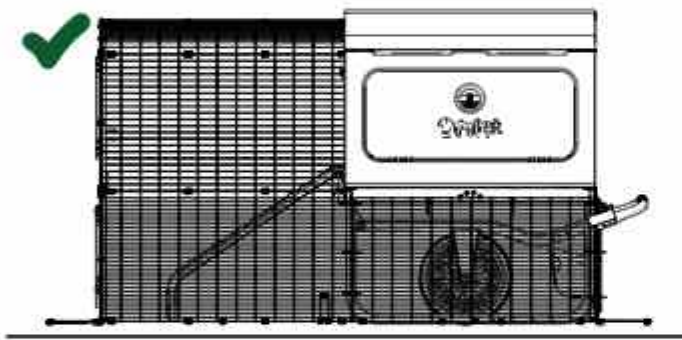


4mm



10mm

Assembling your Eglu Pro

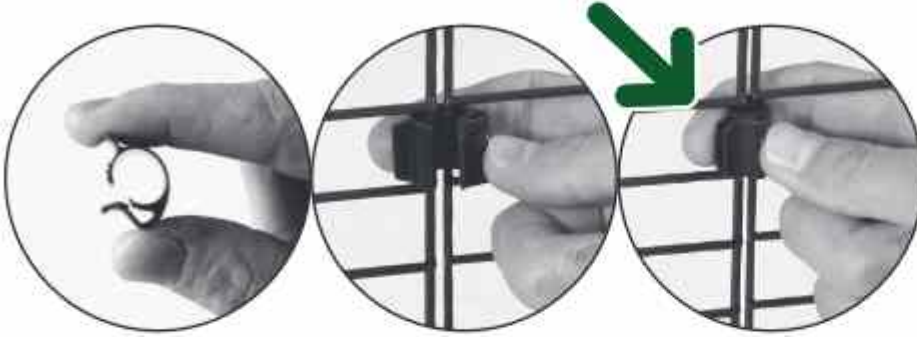




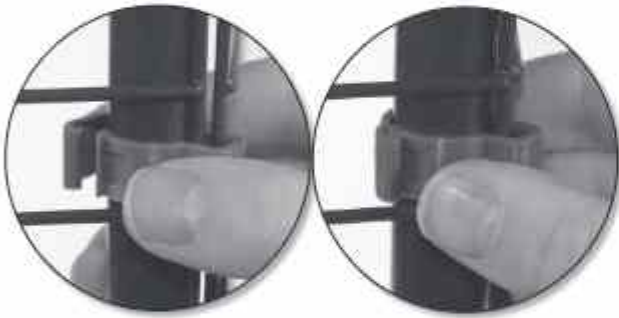
The run is designed to be used outdoors for years to come. However, we recommend that you check your run regularly for signs of corrosion, especially if you live somewhere with extreme weather conditions or close to the sea. Corrosion will occur if the coating has been scratched or scraped, for example. If you do see some, remove any loose rust and touch up with a weather resistant paint.

Tip: Warm your clips in warm water to make them easier to use

How to attach Mighty Clips A,C,G (810.0131, 810.0134, 810.0135)



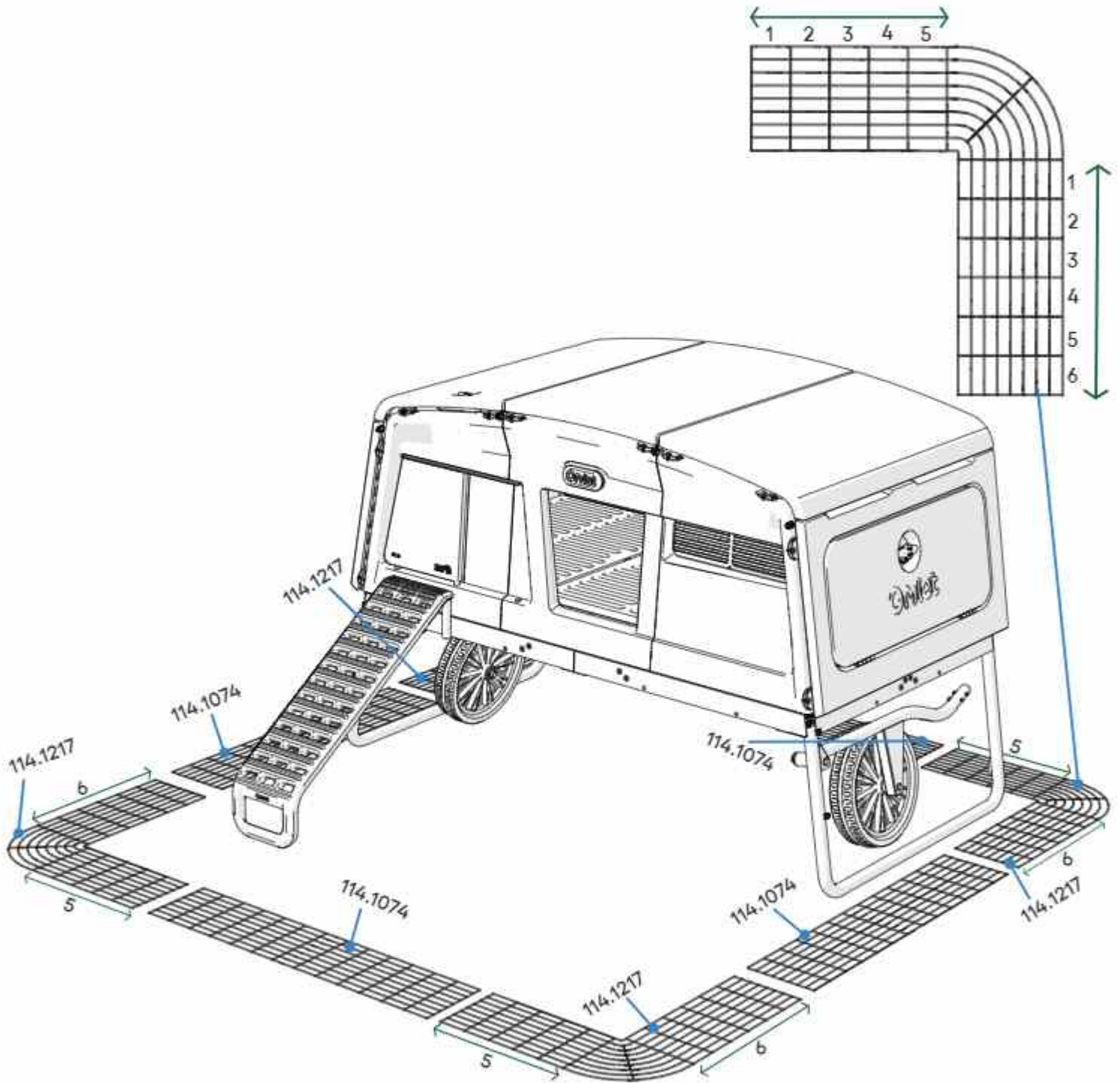
How to attach Mighty Clips E (810.0185)



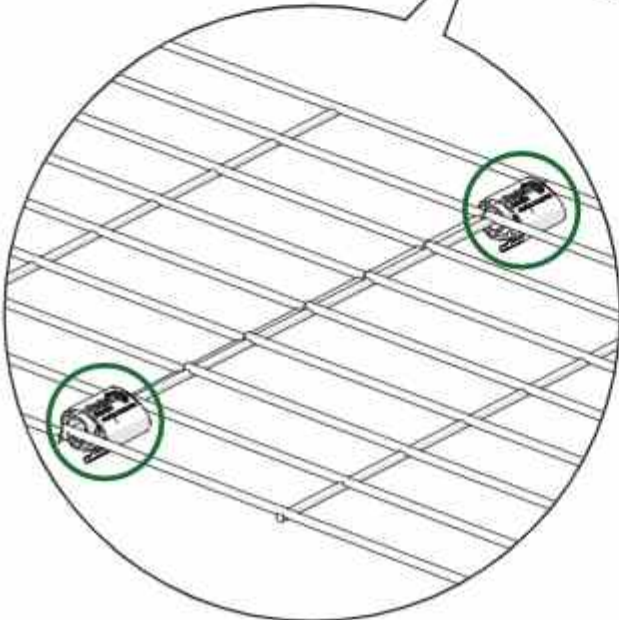
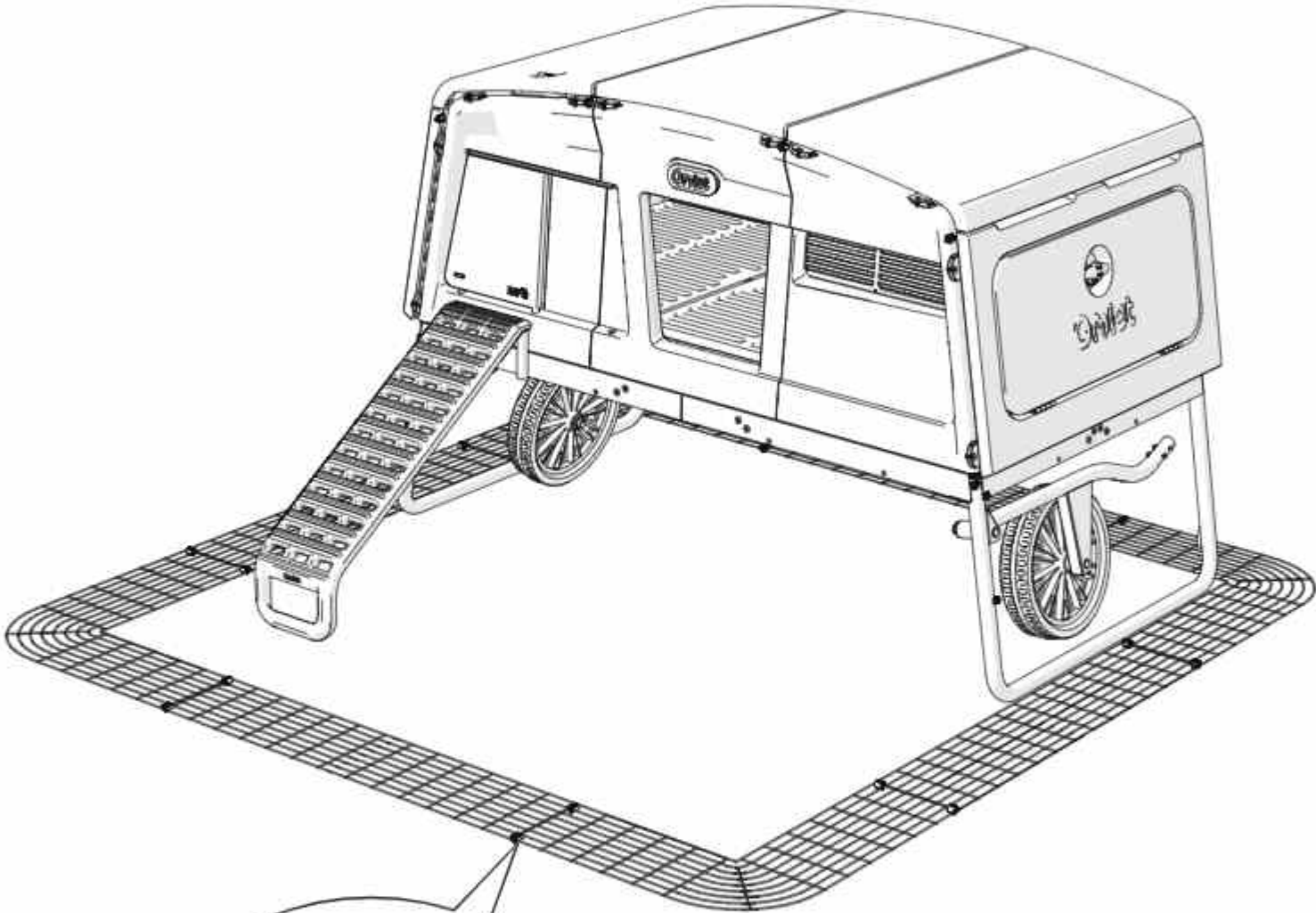
1

Please lay all Skirt panels out in position before you start.

Box G

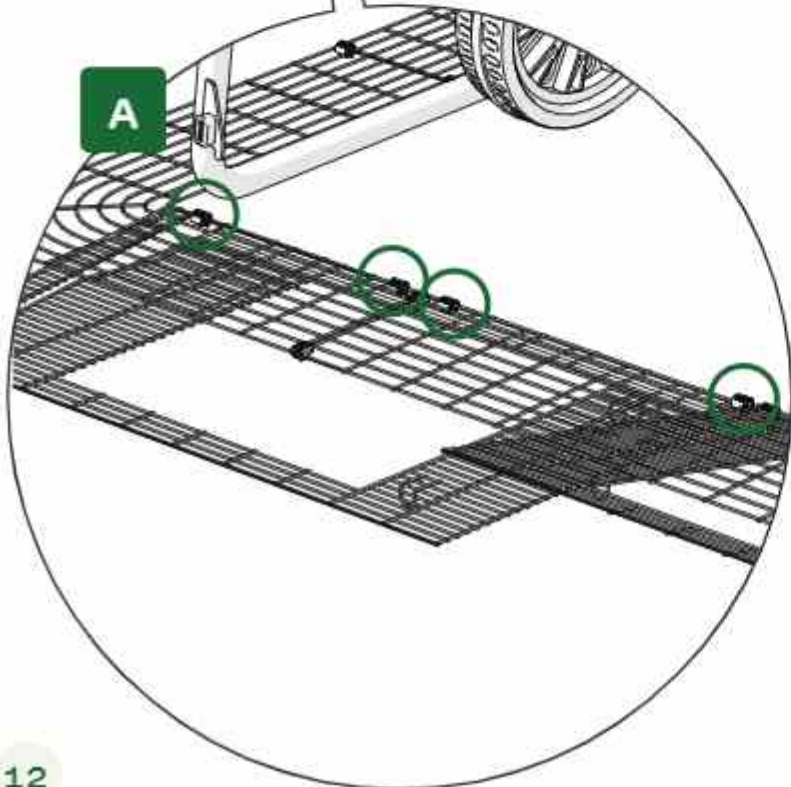
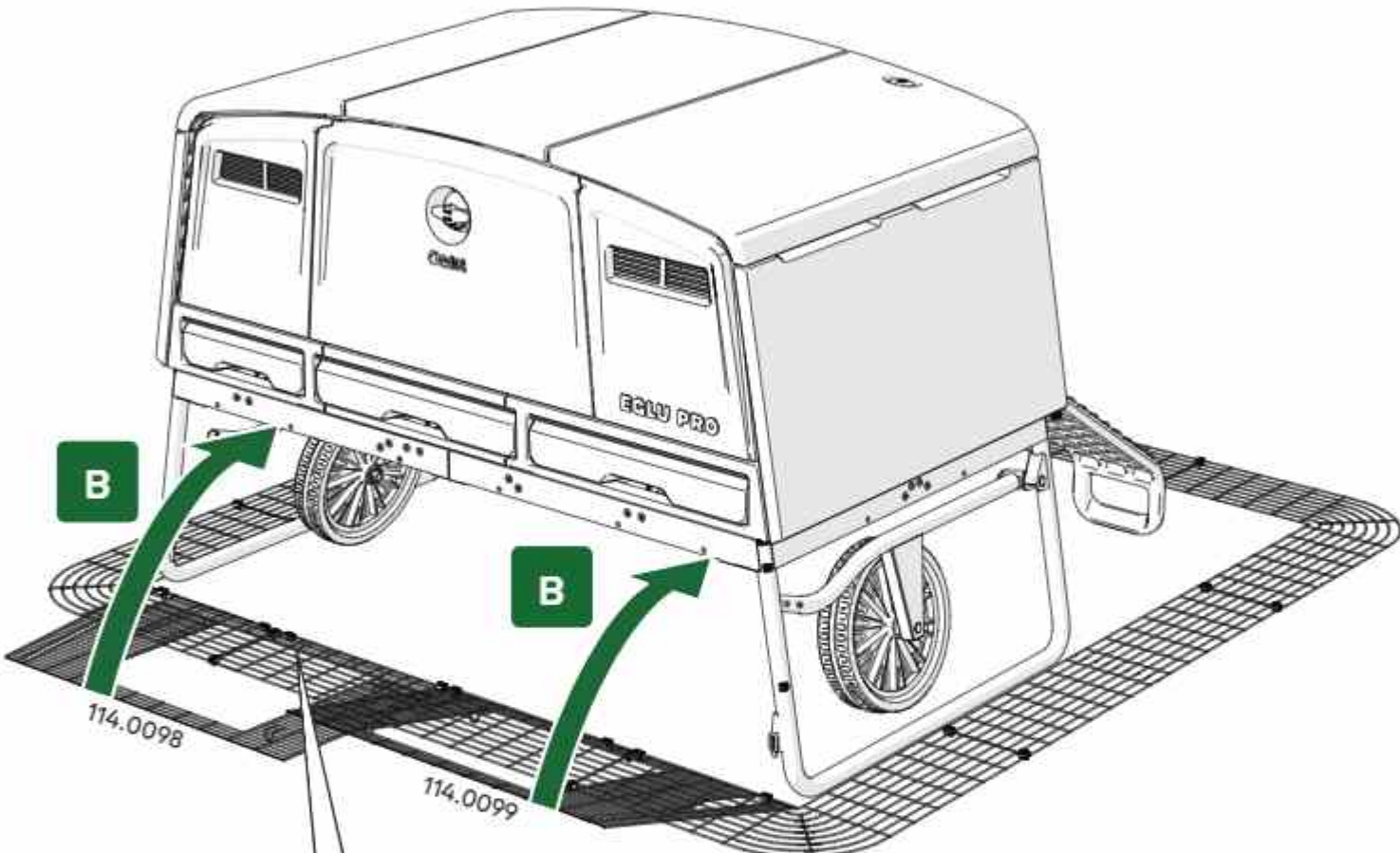


2



3

Box G

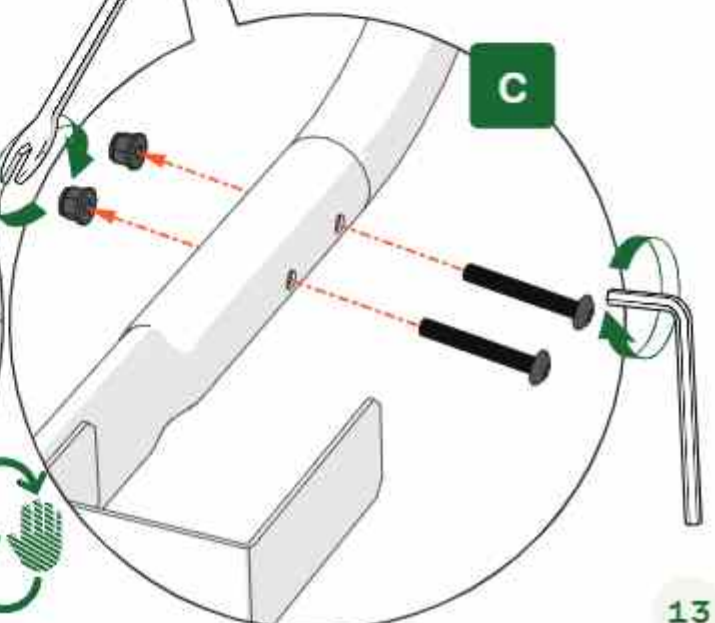
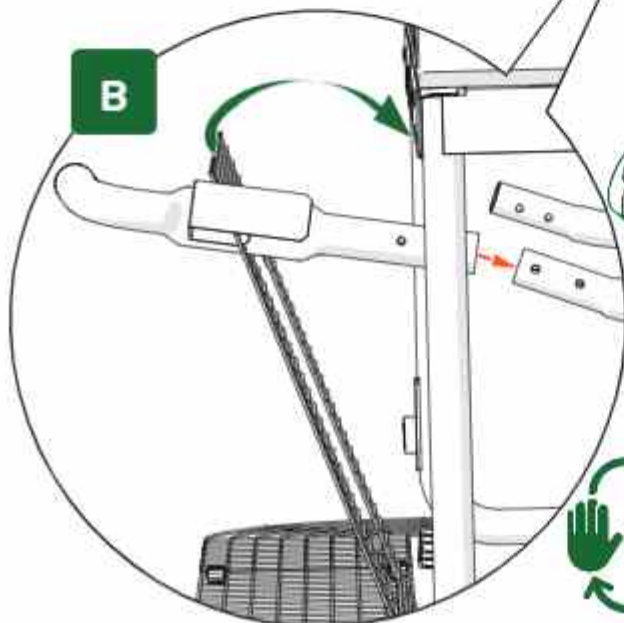
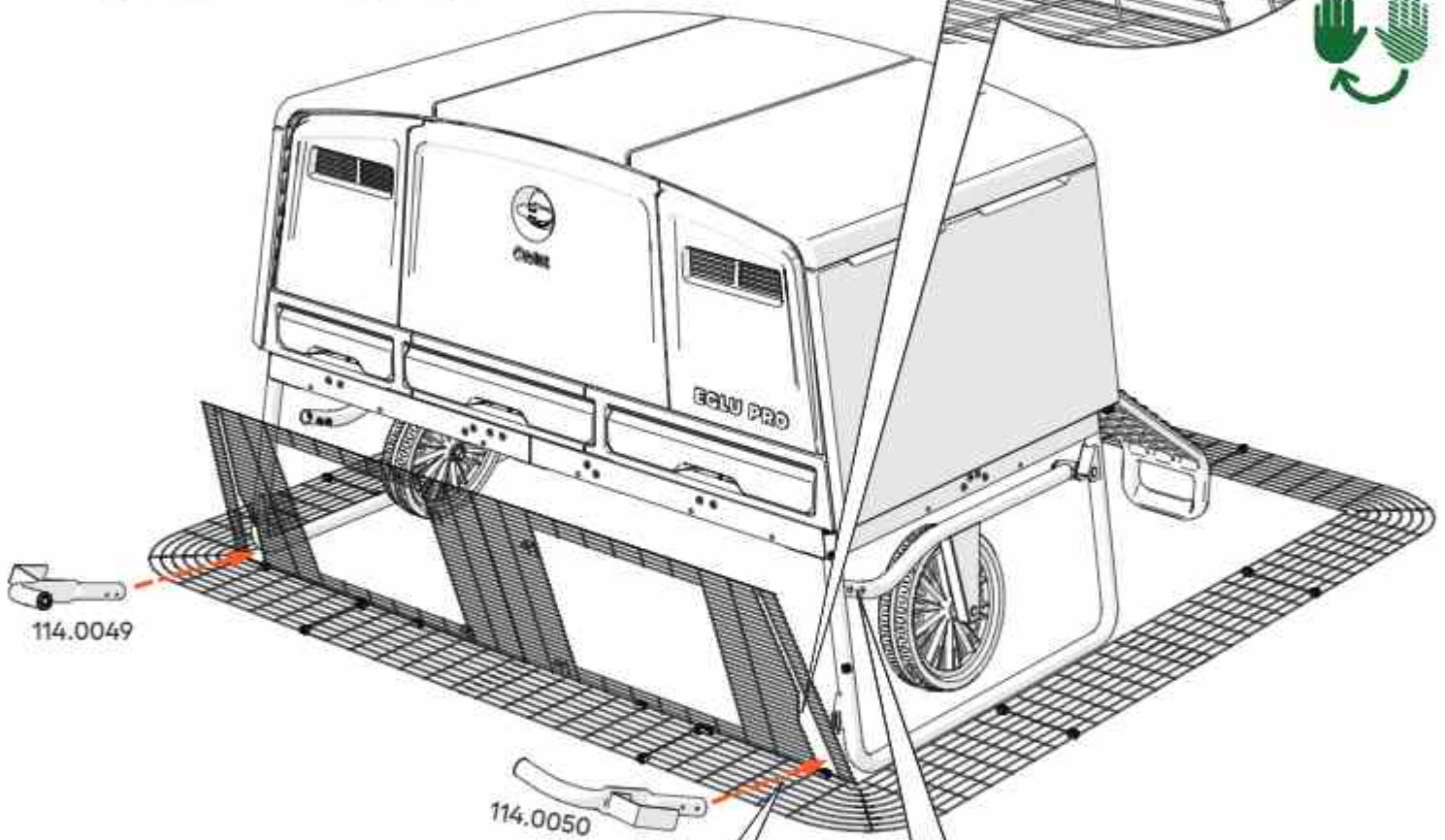
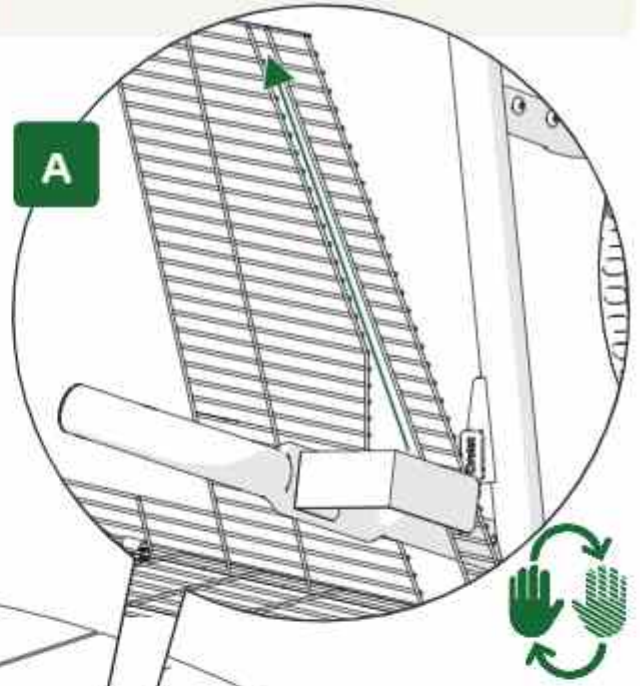


EN Repeat on other side

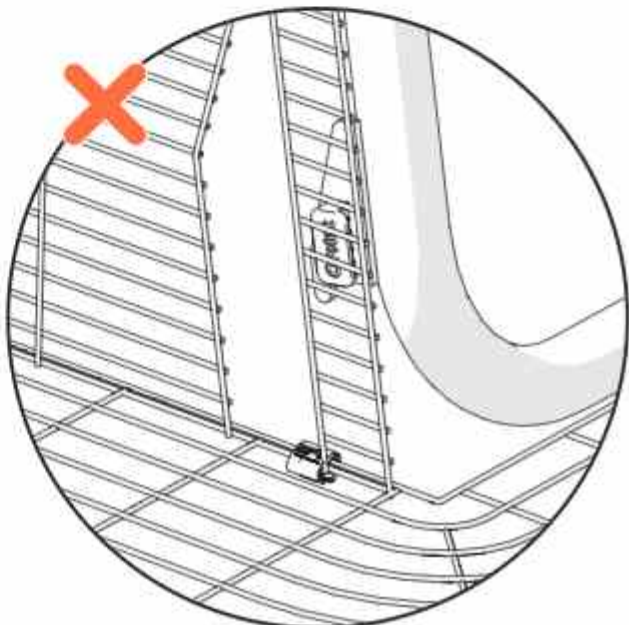
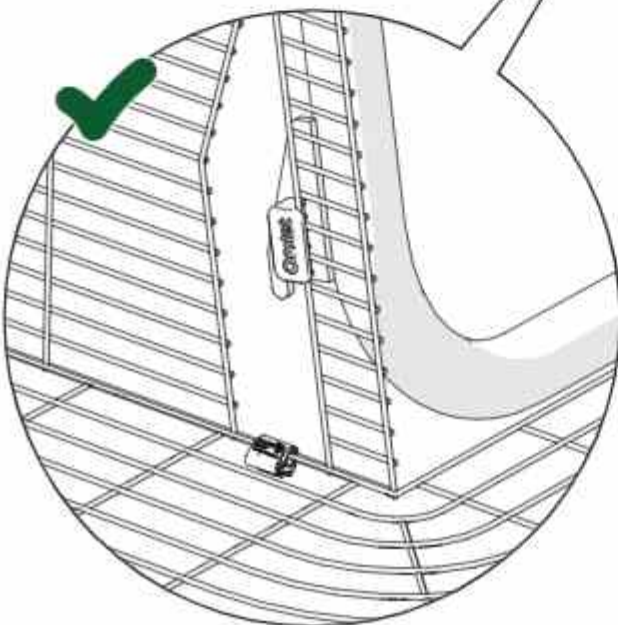
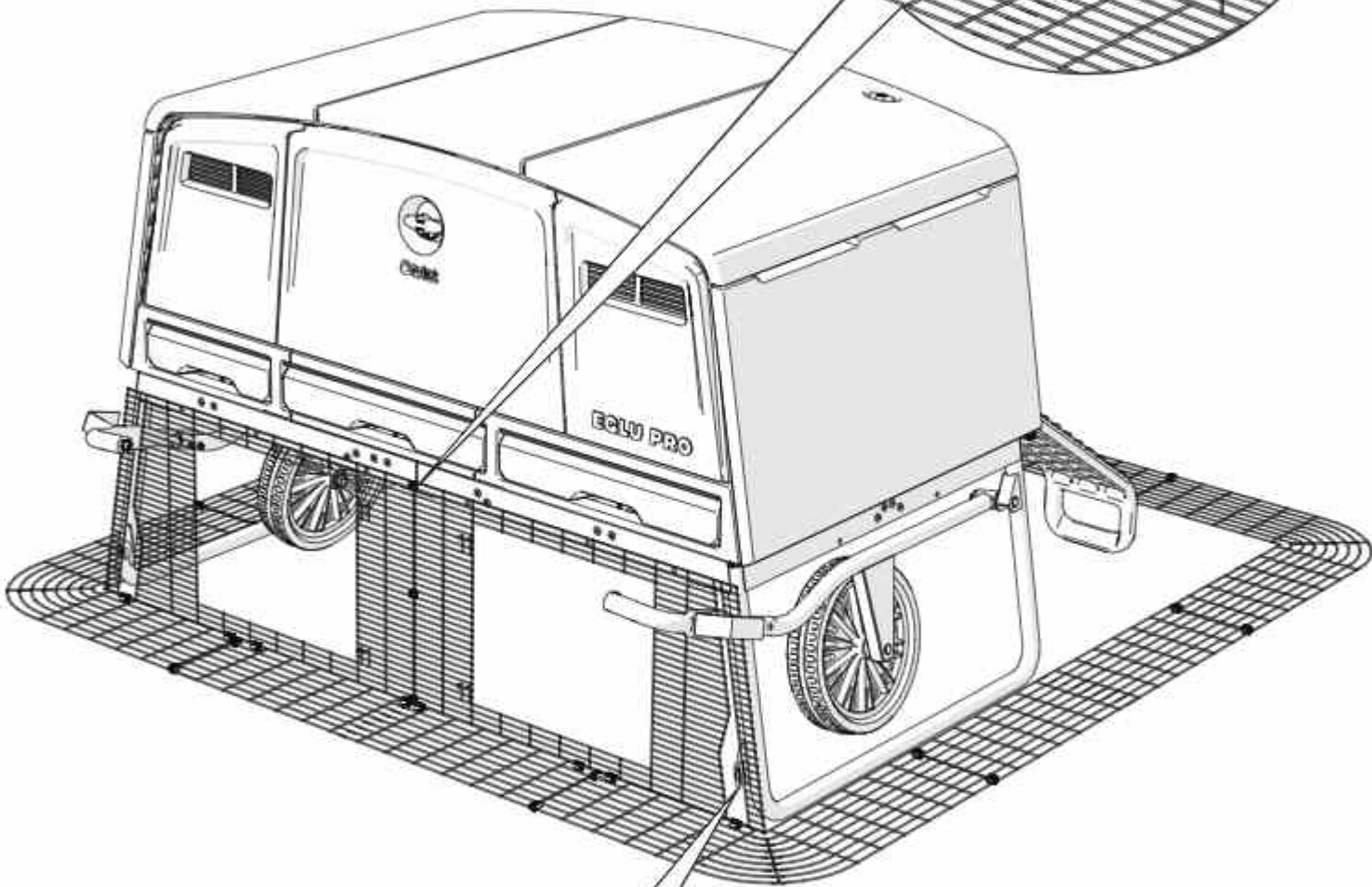
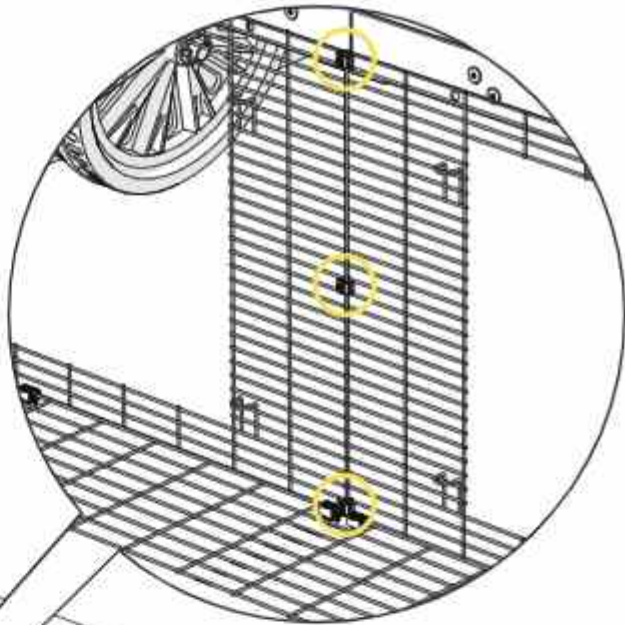
4

Please skip this step if you do not have wheels.

Box F

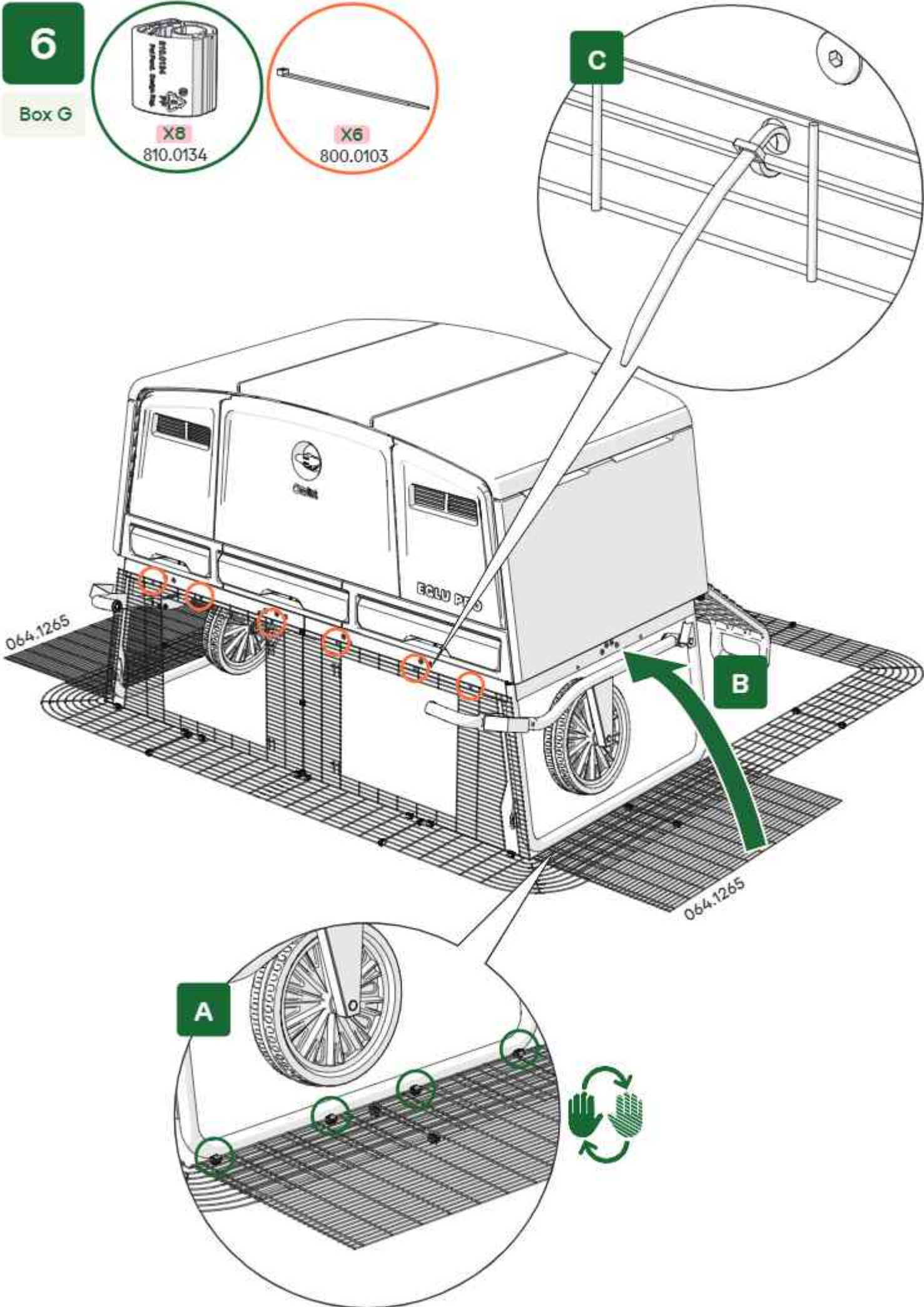


5



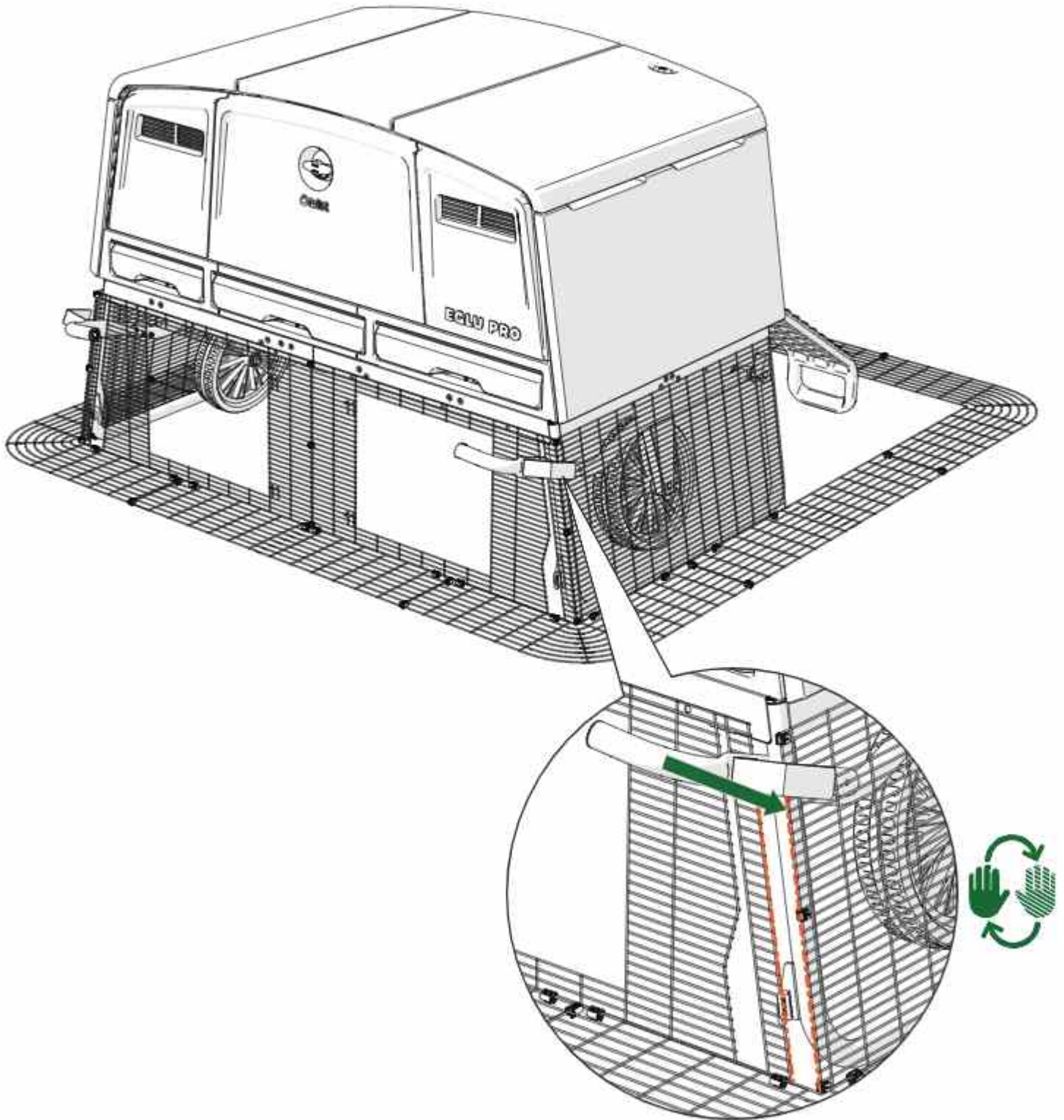
6

Box G

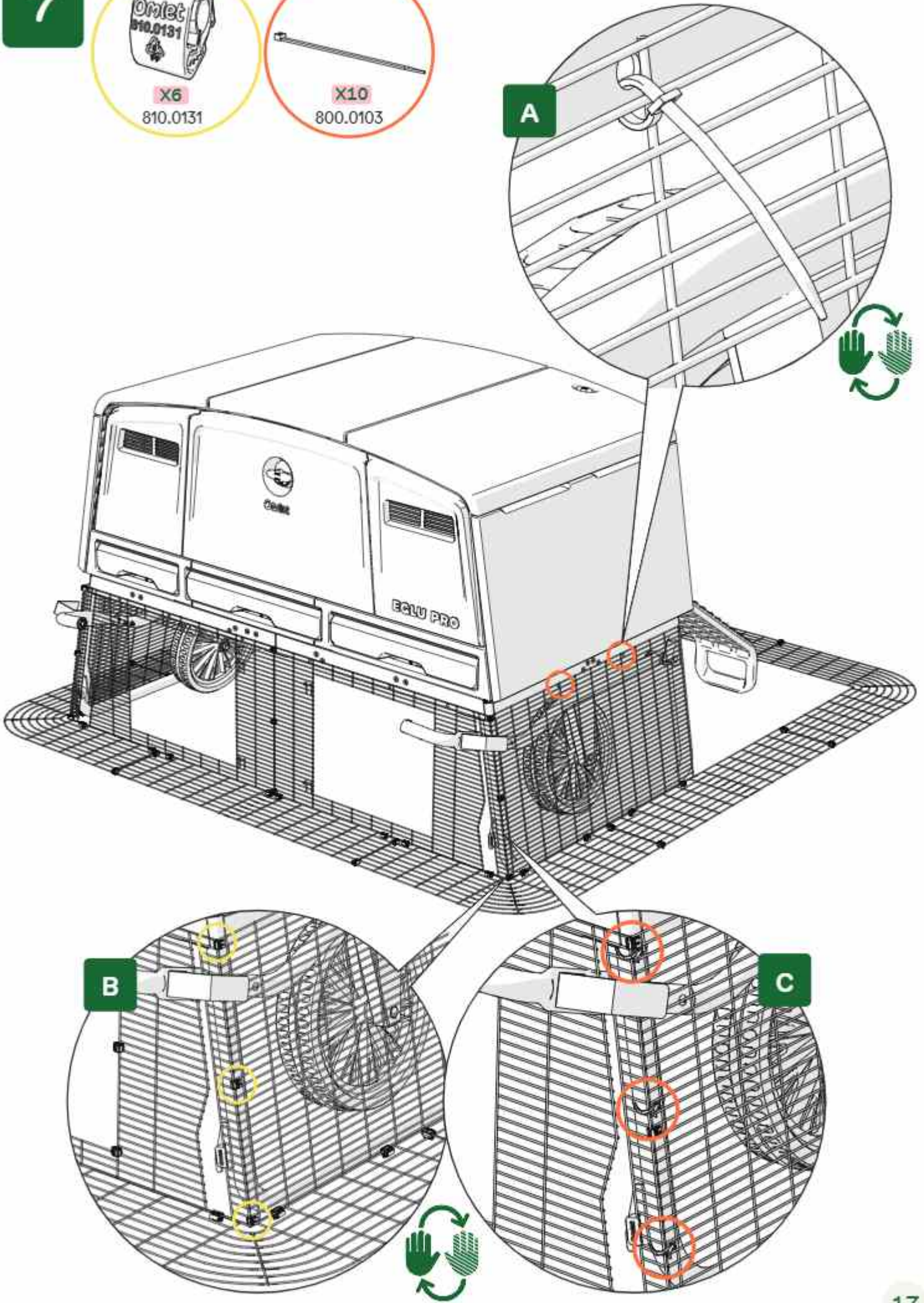


6A

If there is a gap at the corner join between panels, try pulling the wheel arm out.



7



8

Box G



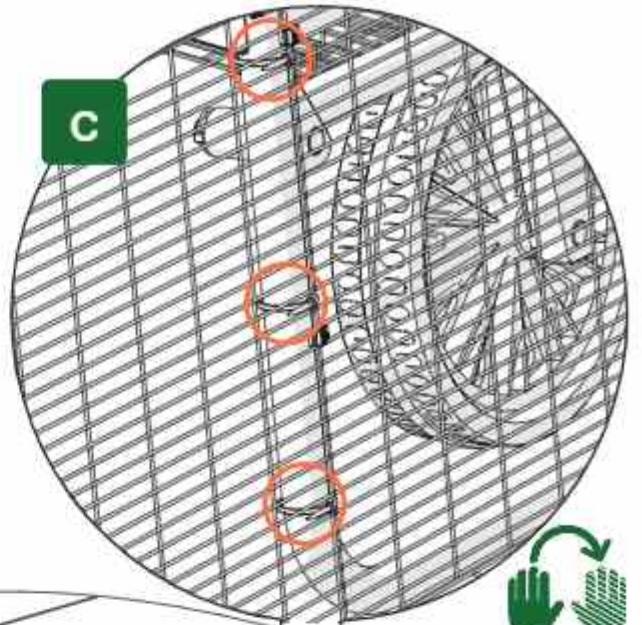
X6
810.0134



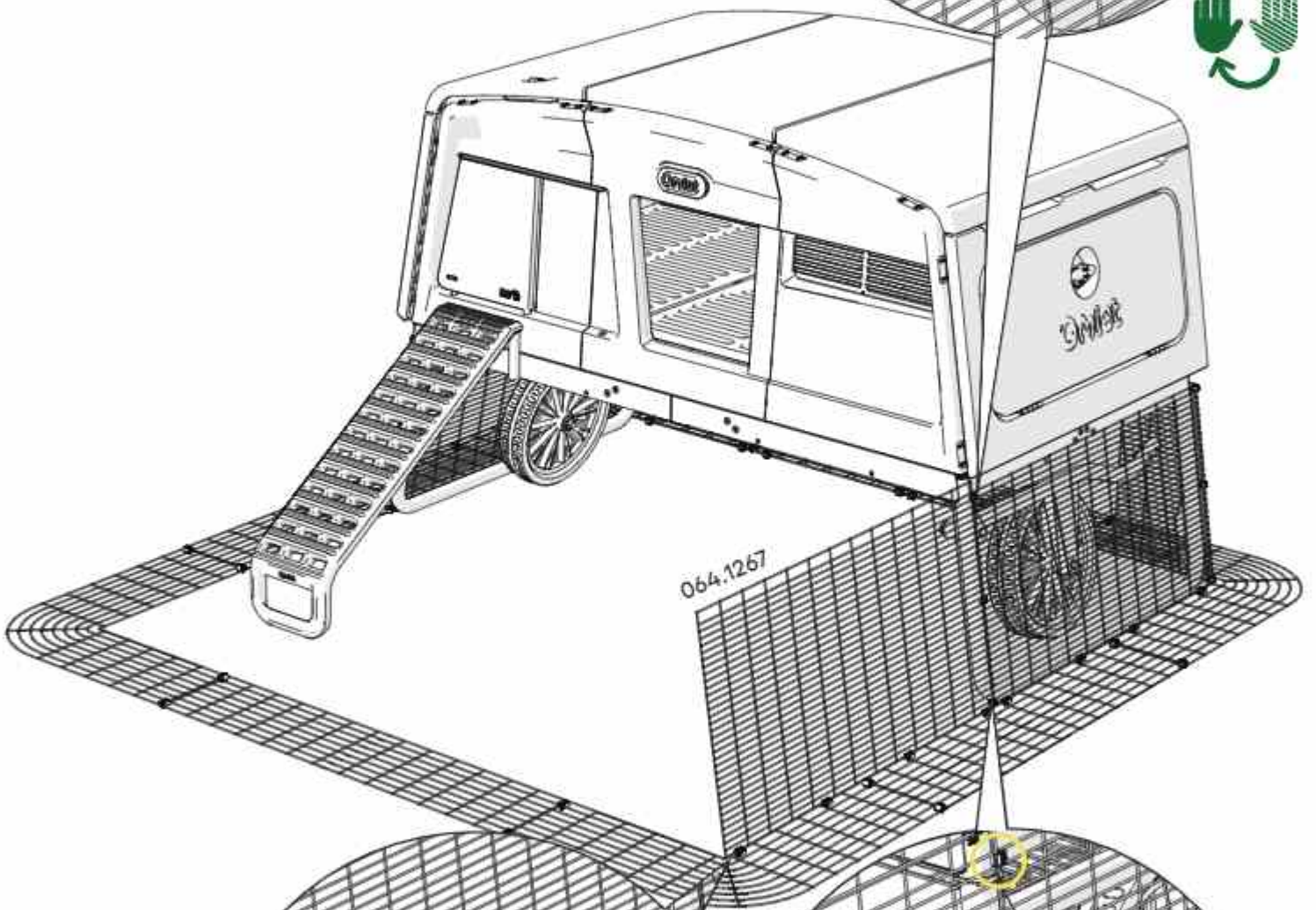
X6
810.0131



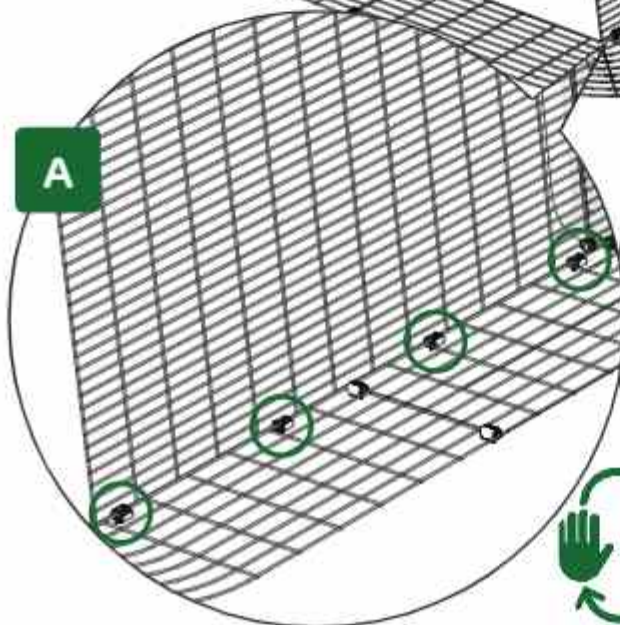
X6
800.0103



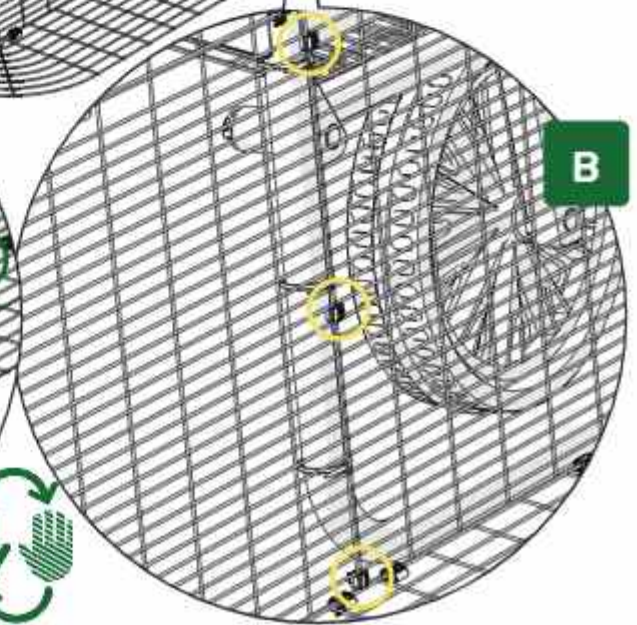
C



A

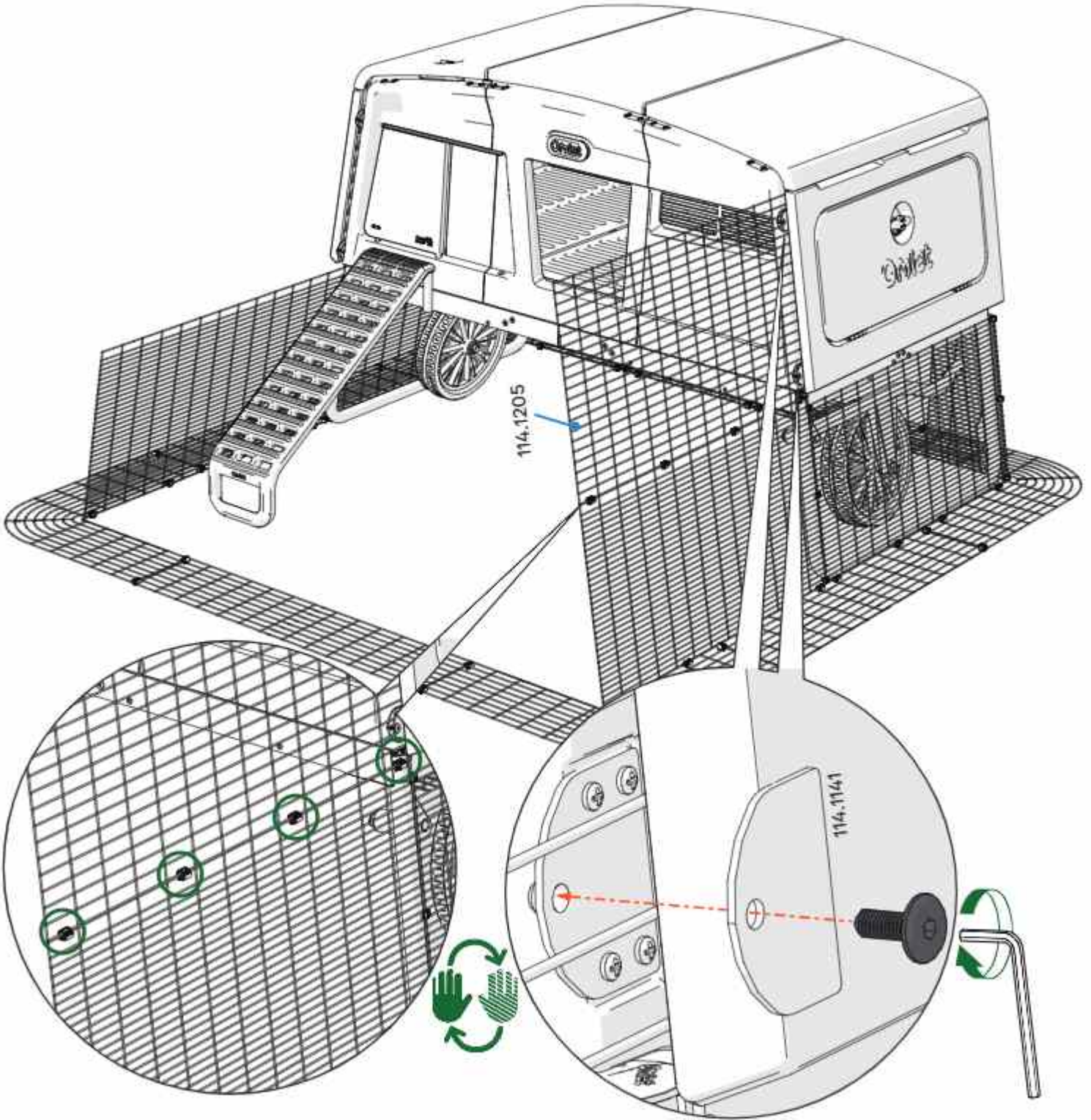


B



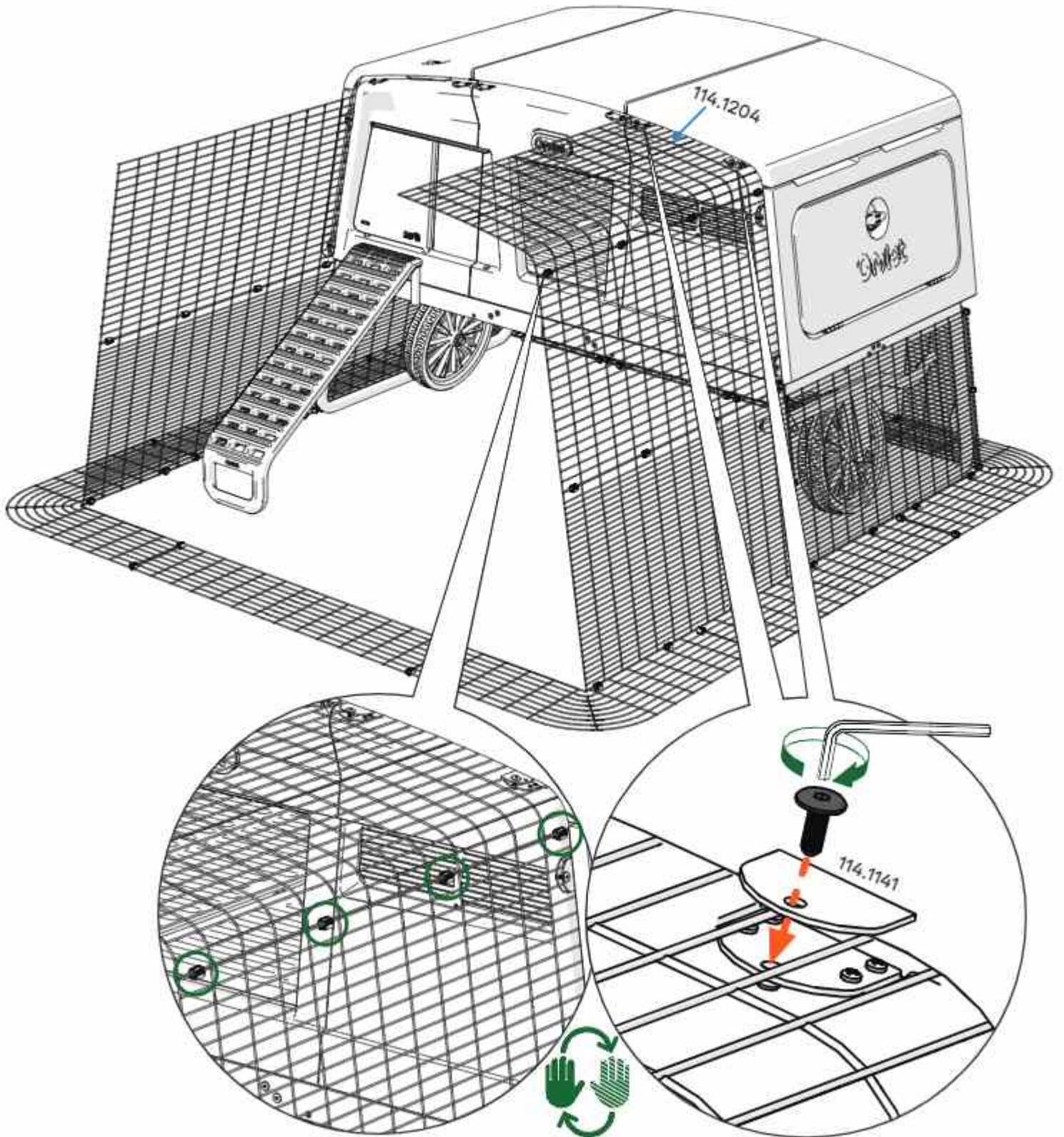
9

Box G

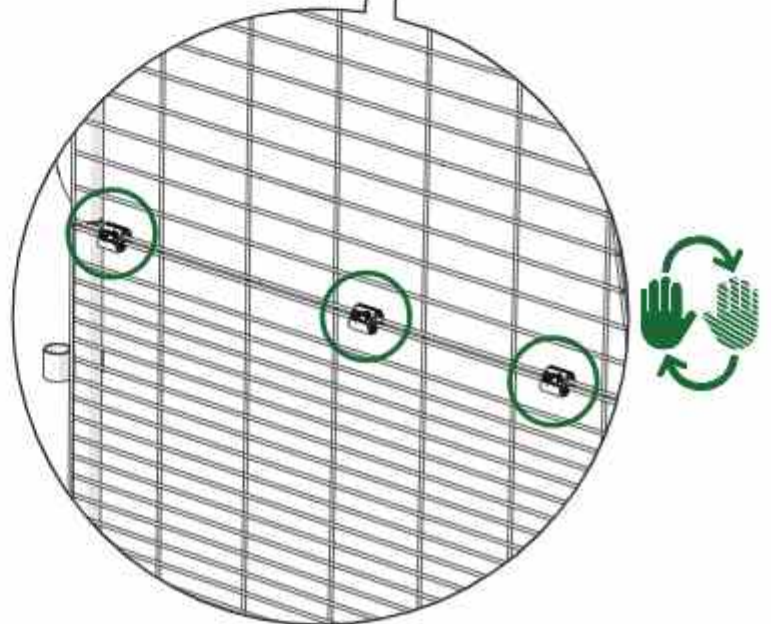
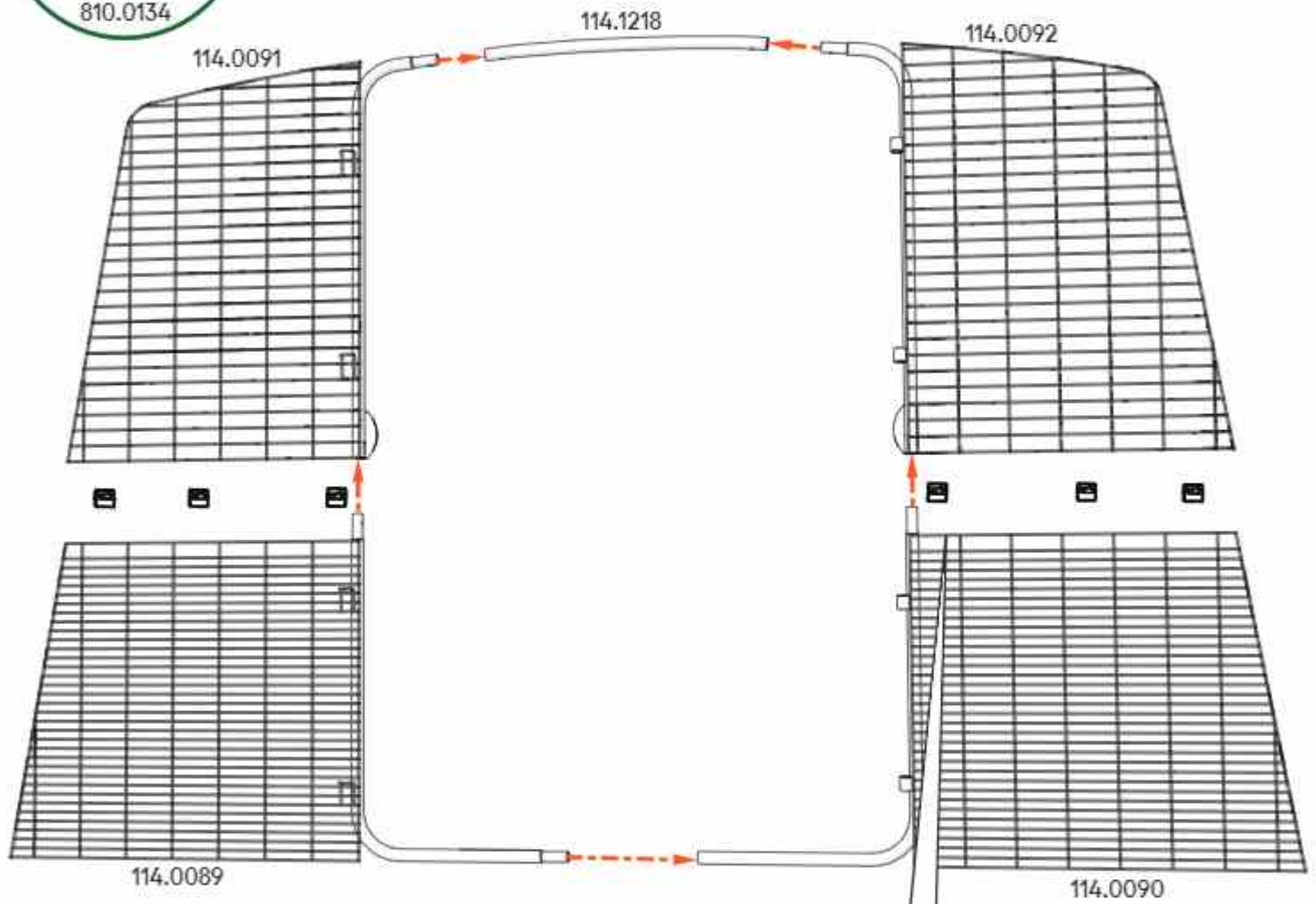


10

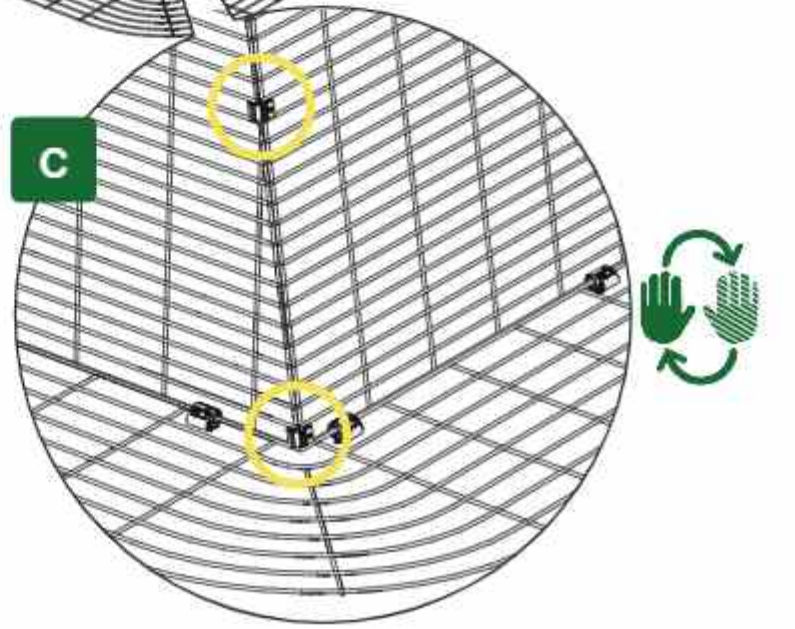
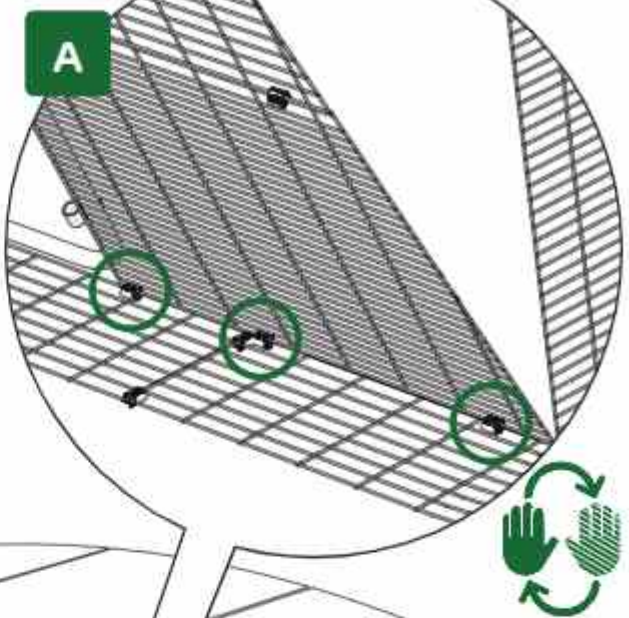
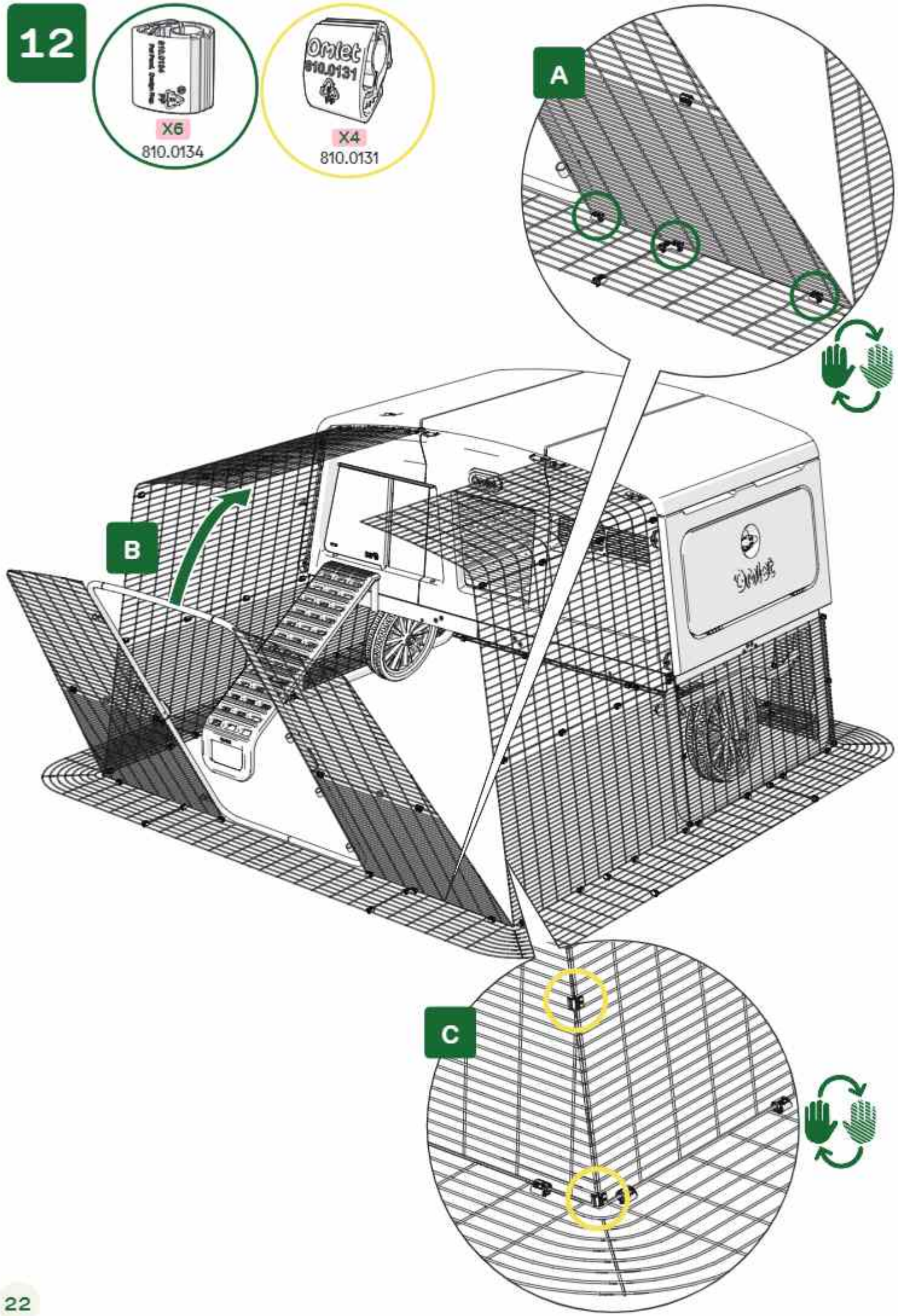
Box G



Box H

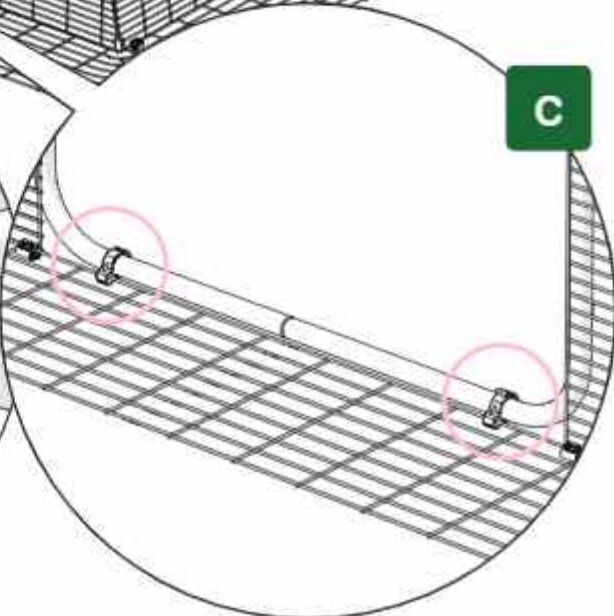
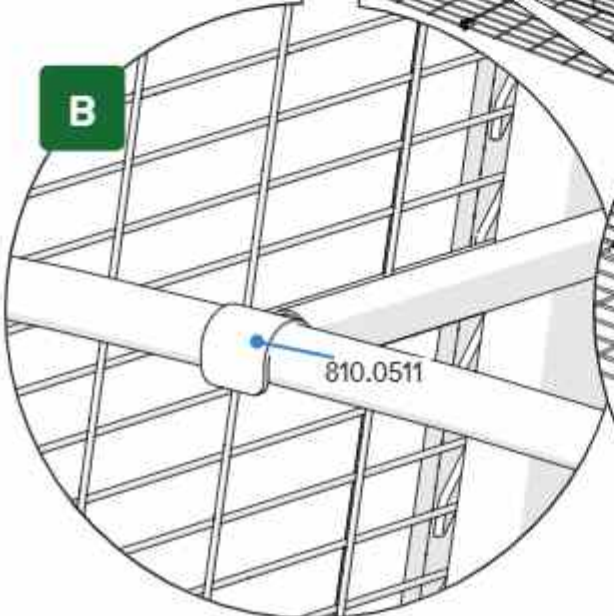
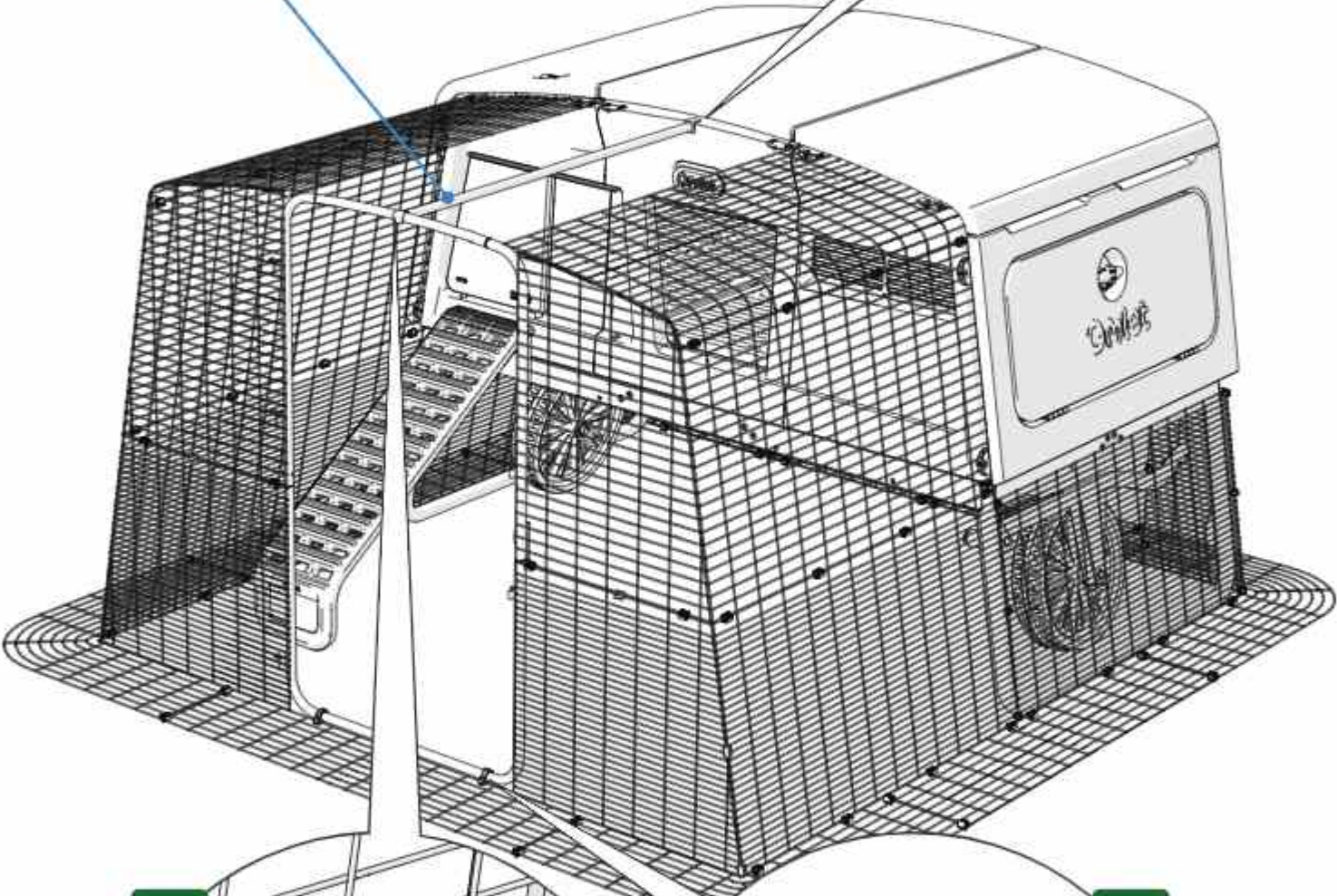
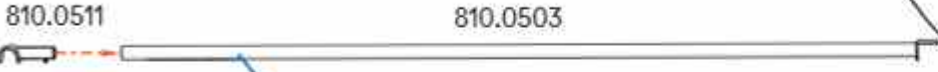
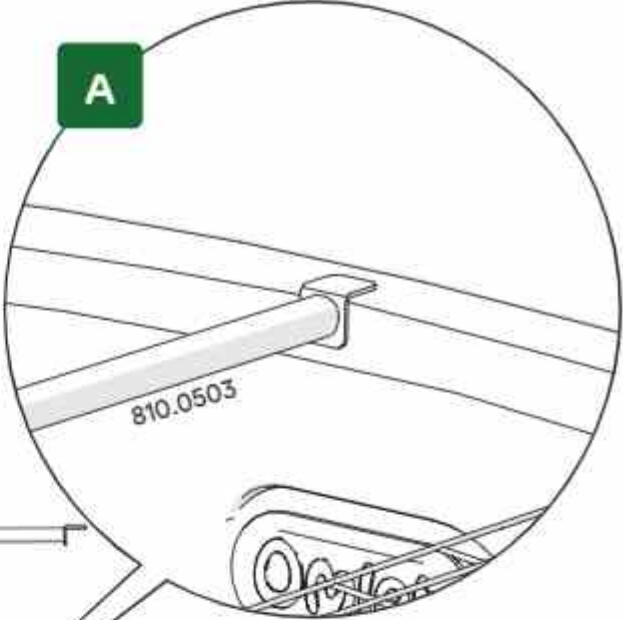


12



13

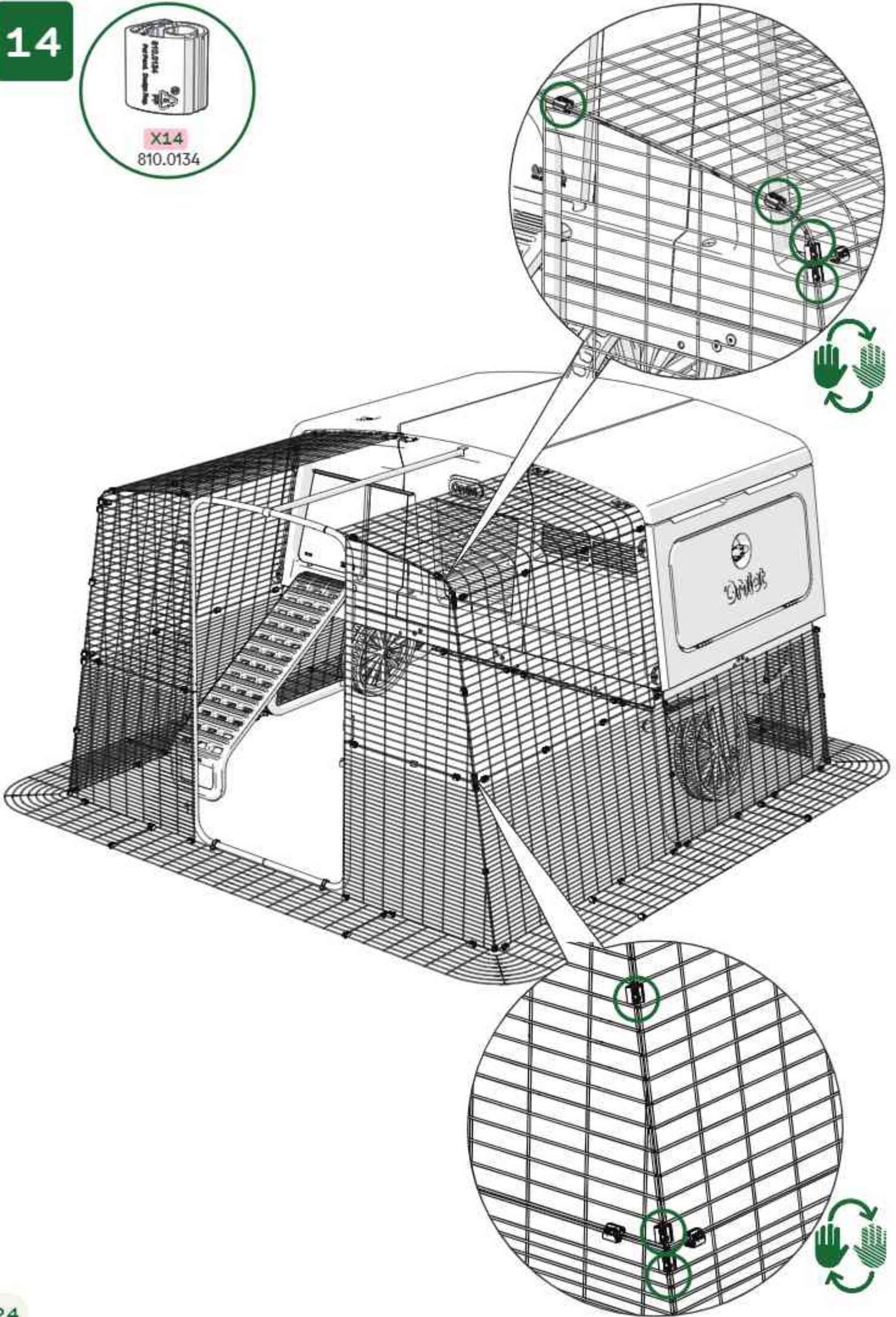
Box G



14

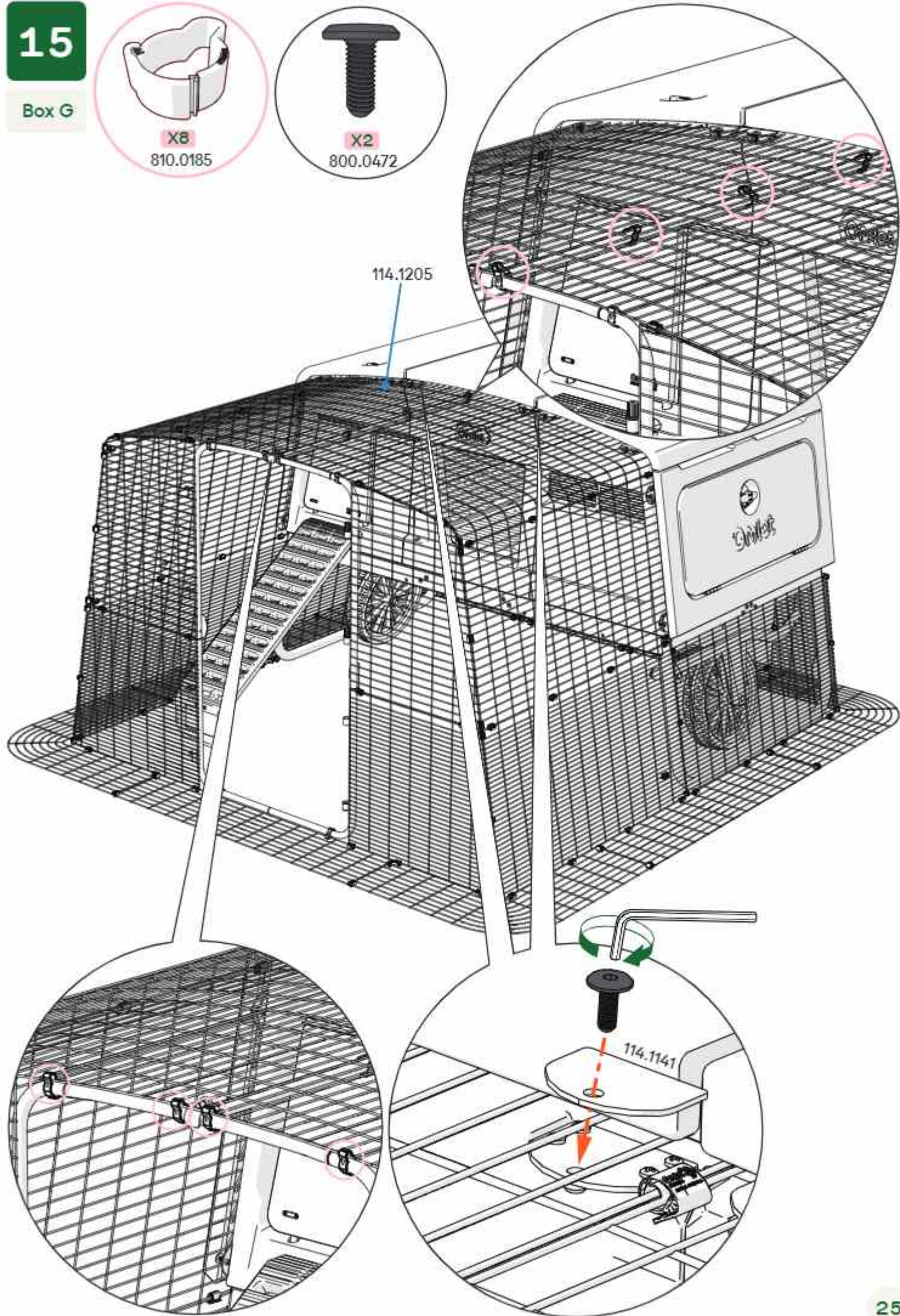


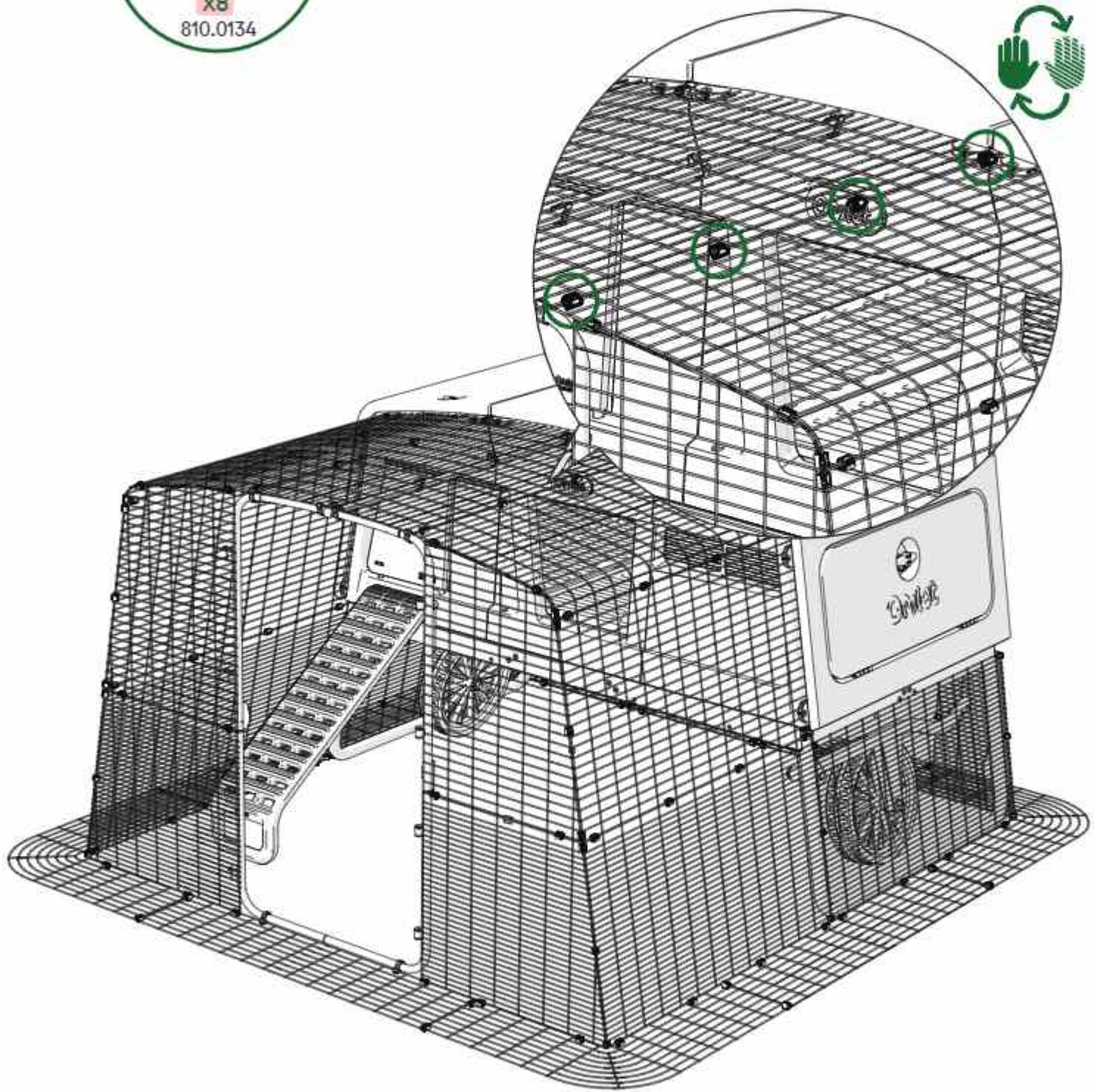
X14
810.0134



15

Box G

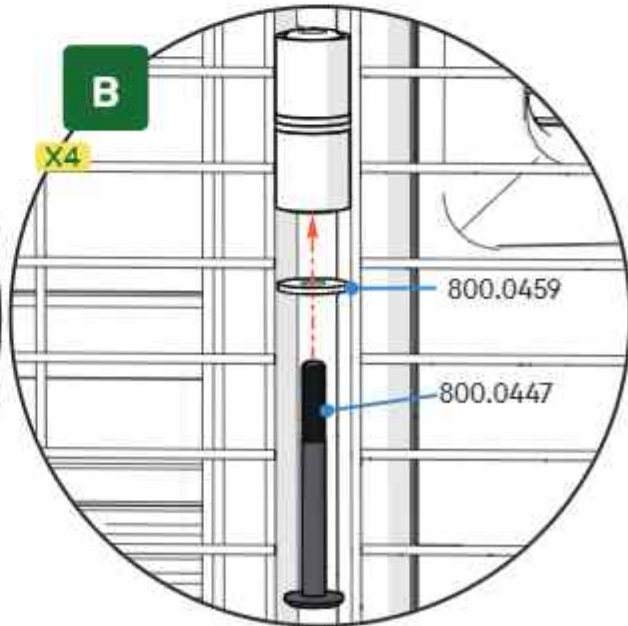
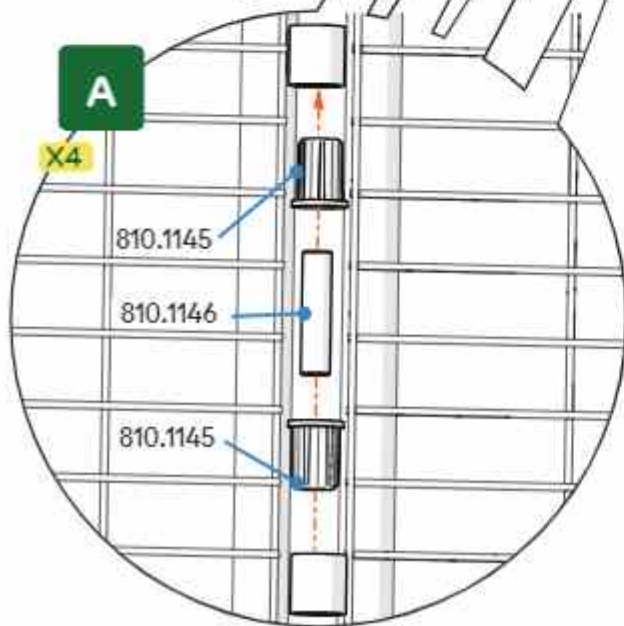
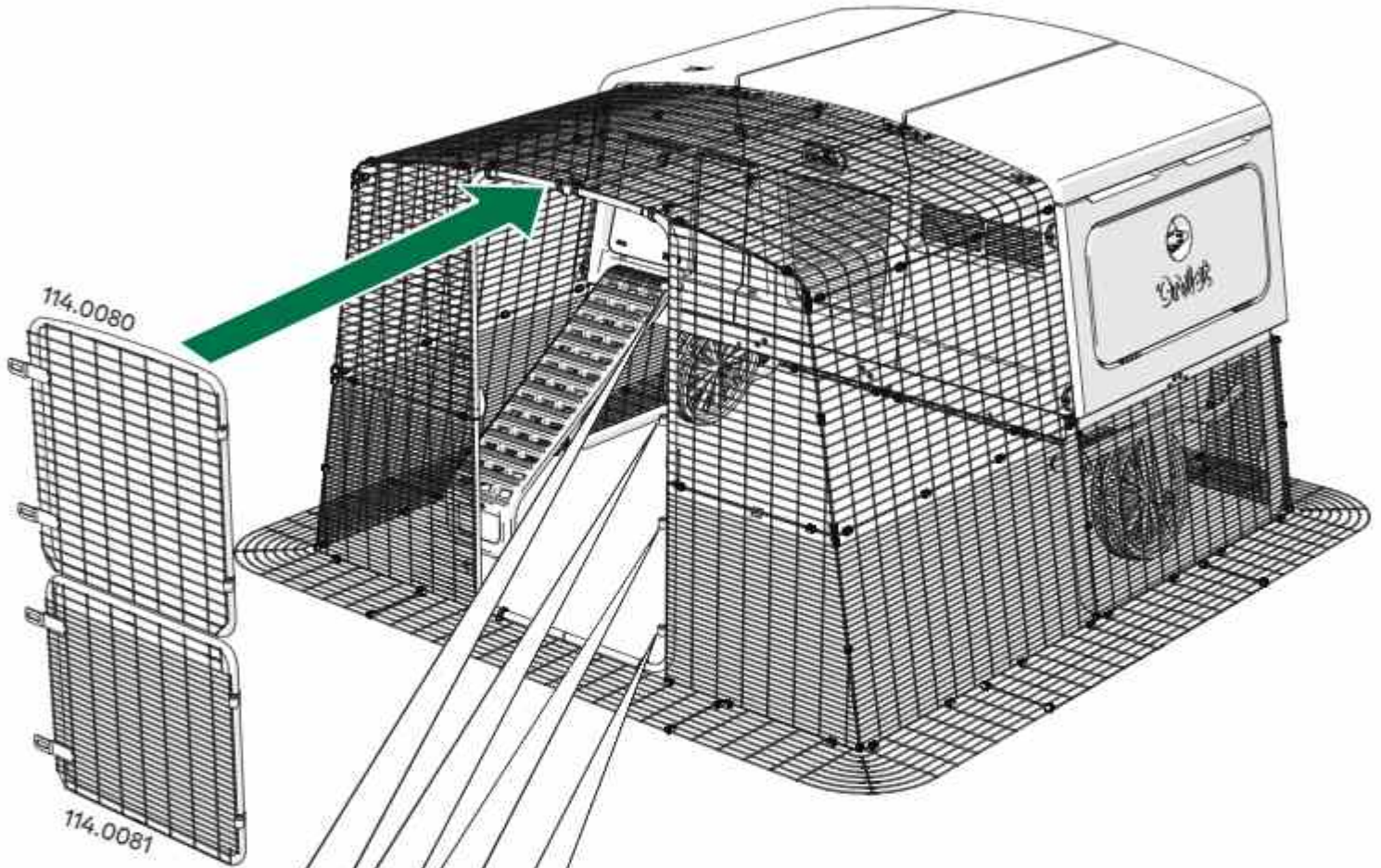
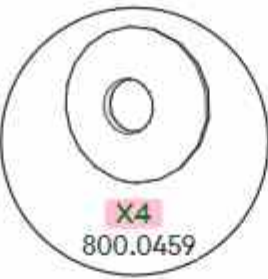




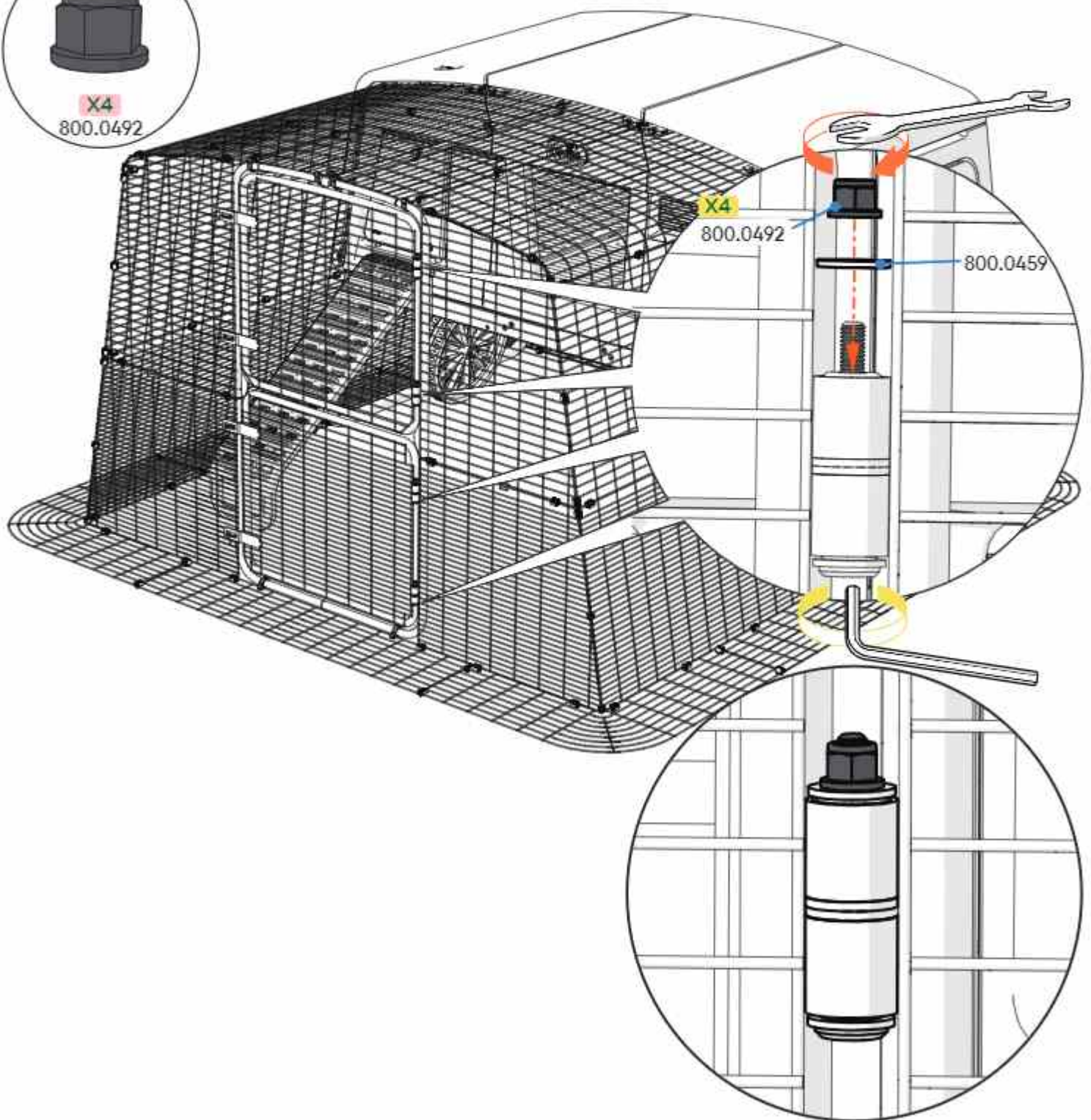
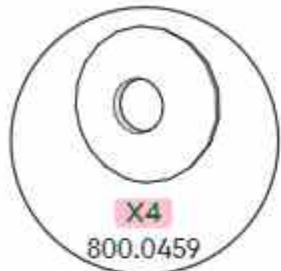
17

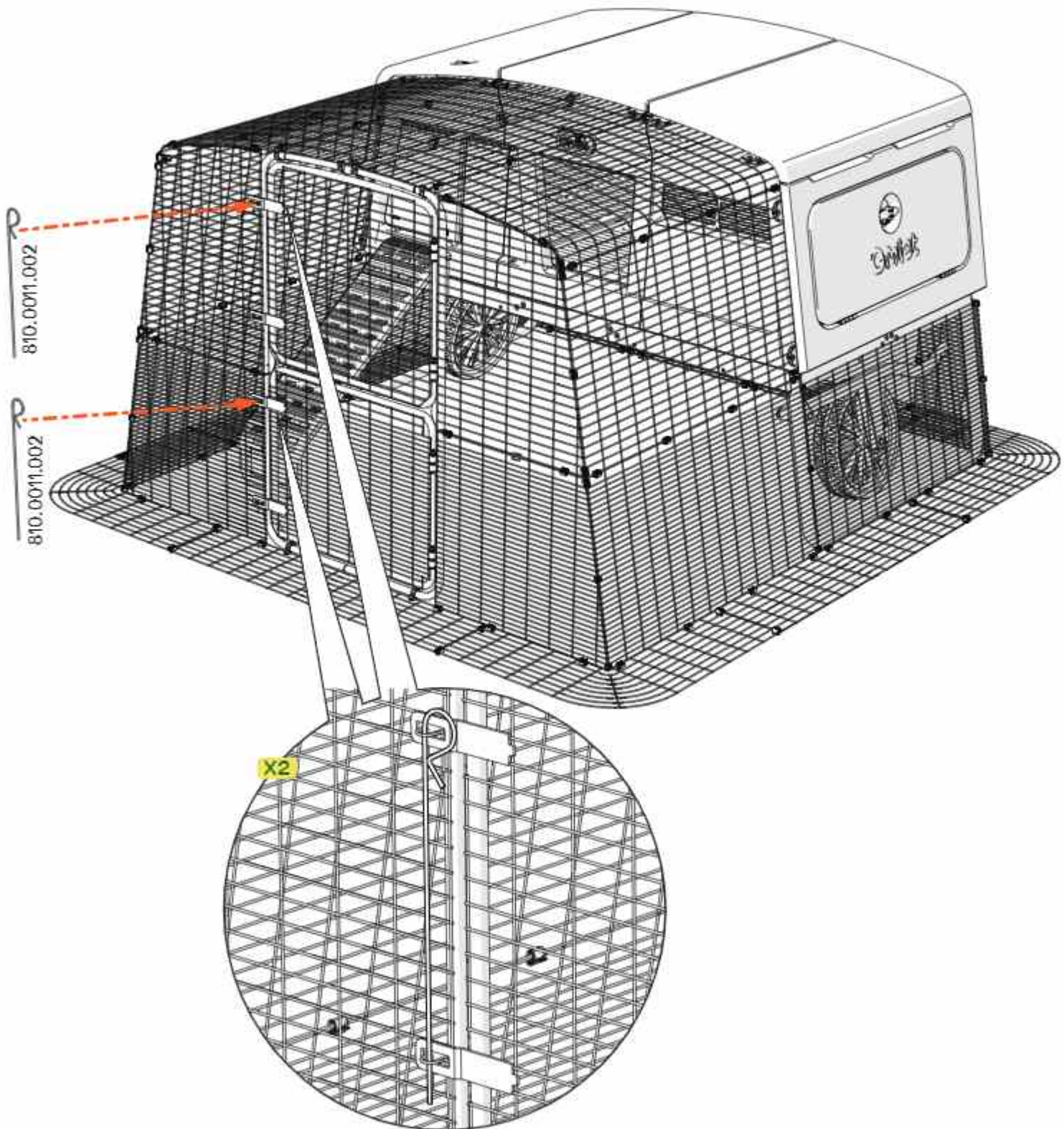
Box G

Box H



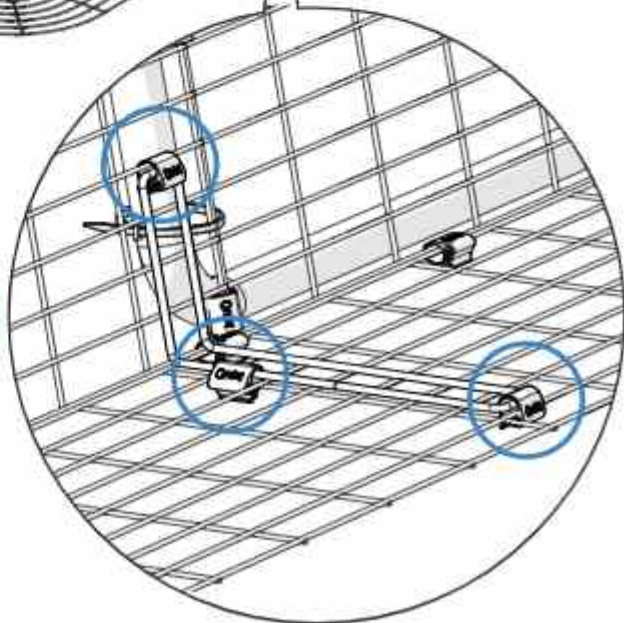
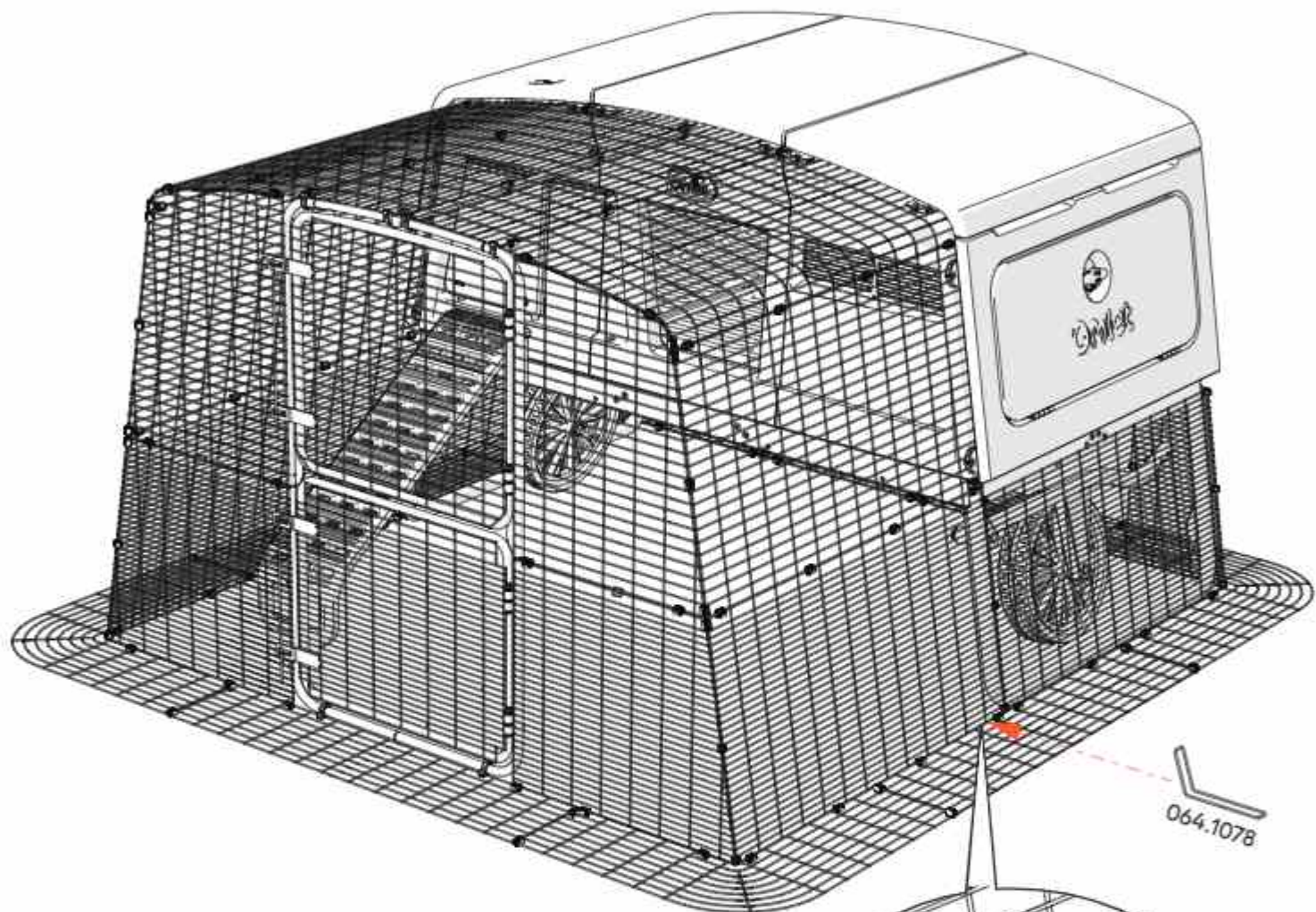
Box G



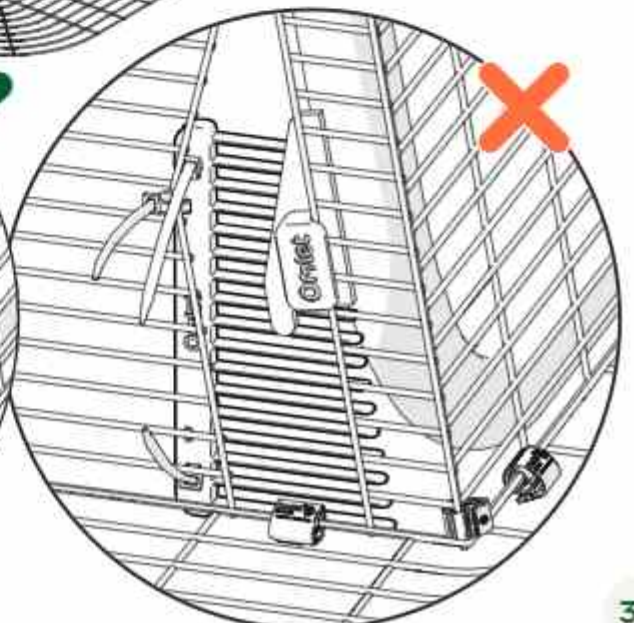
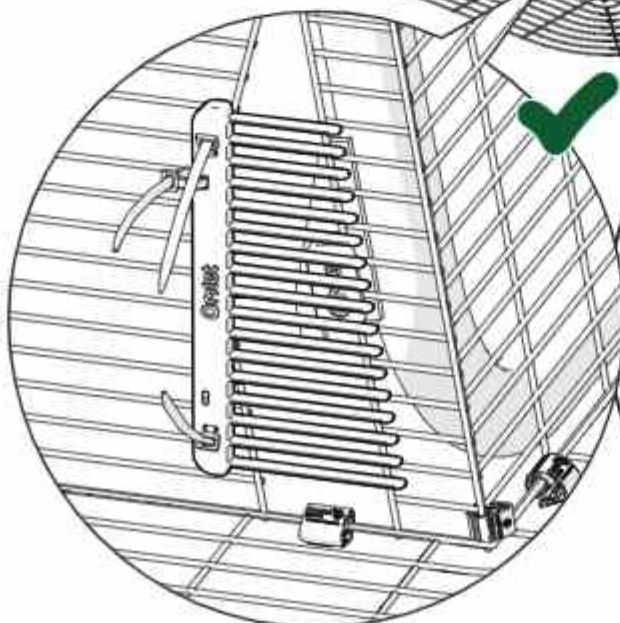
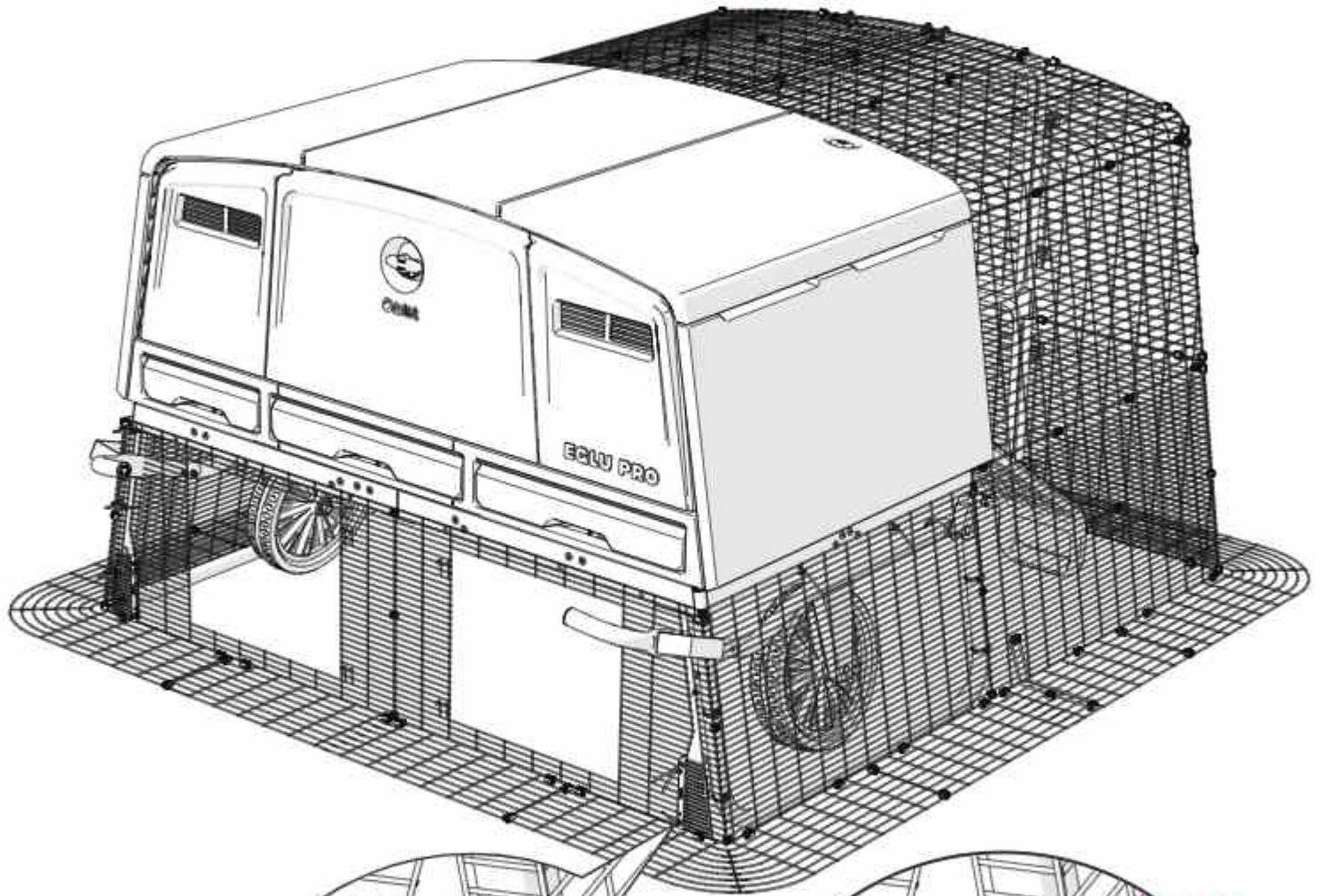
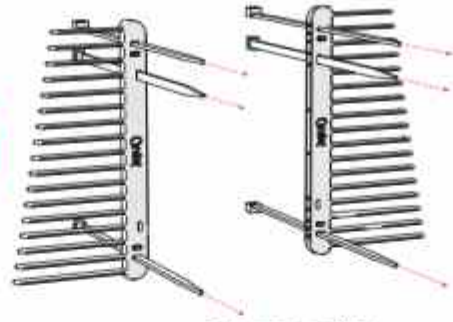


20

Box G

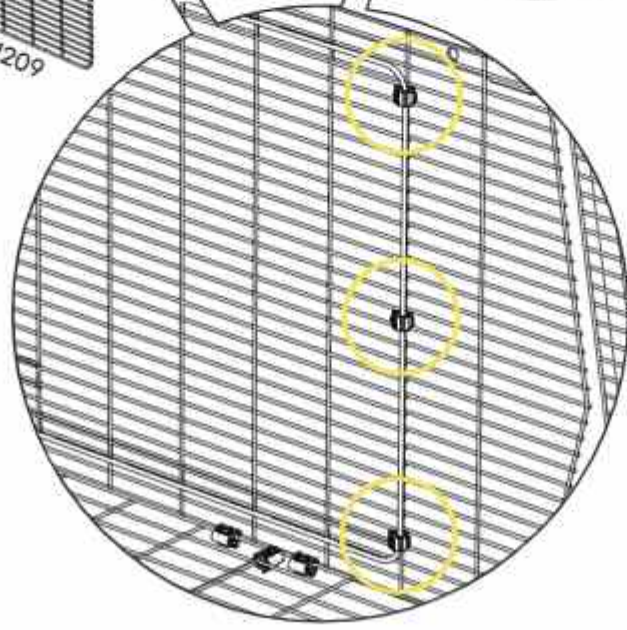
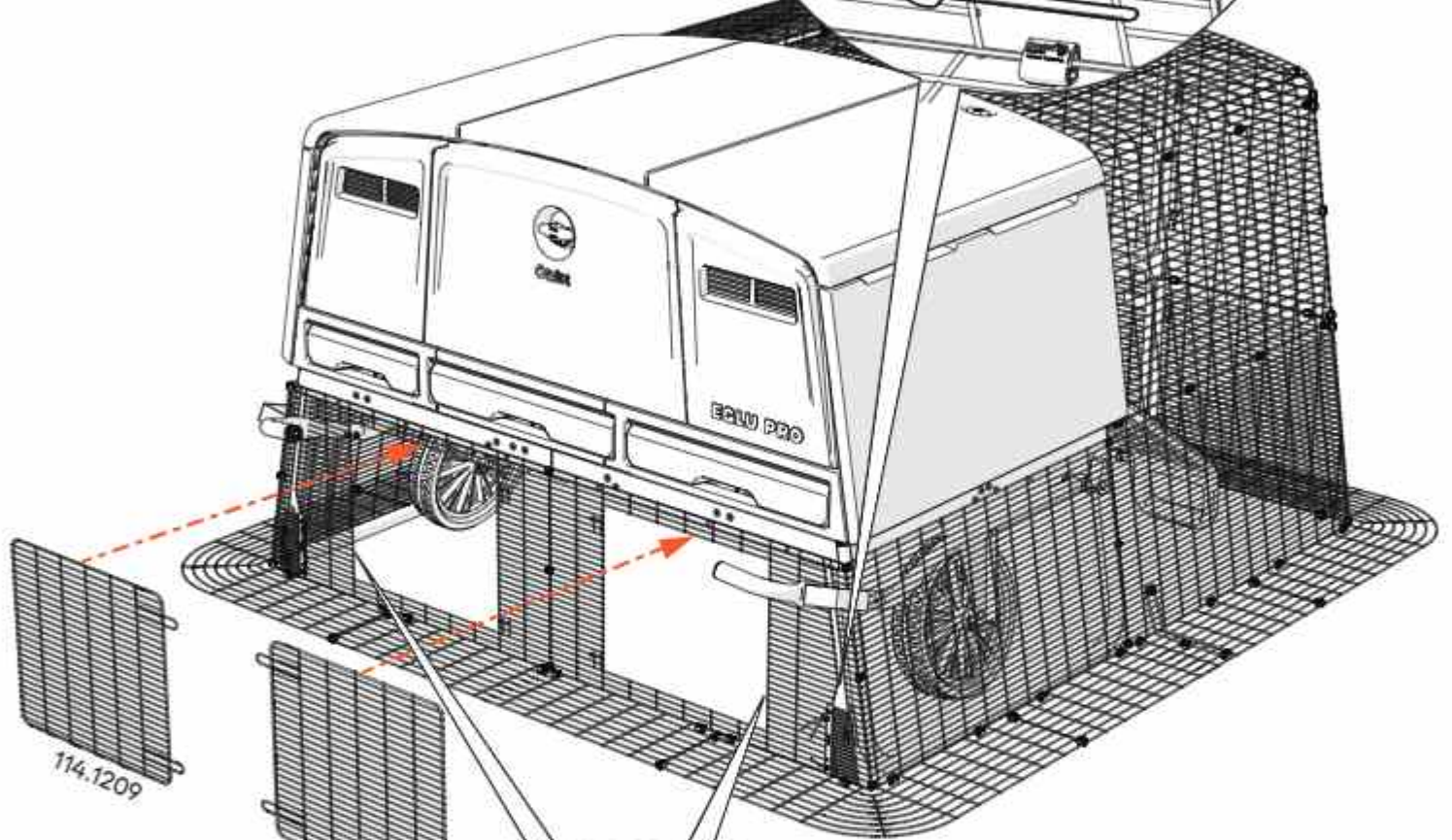
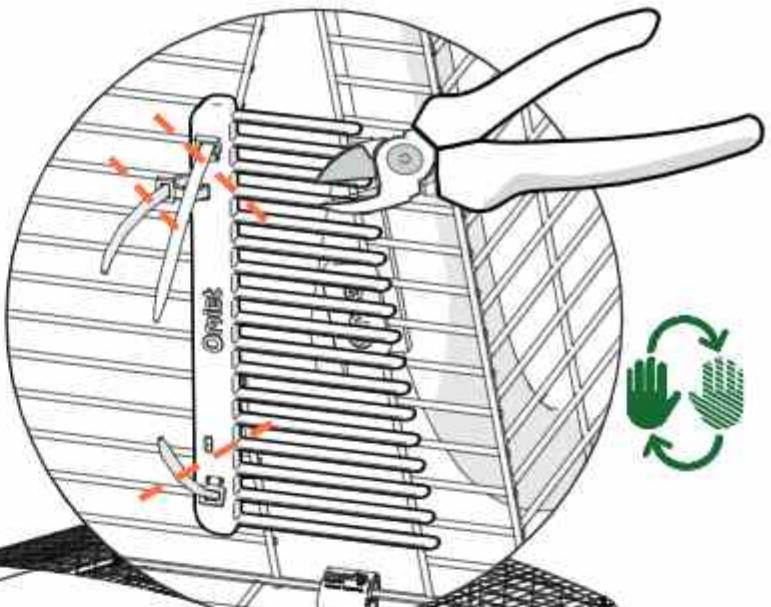


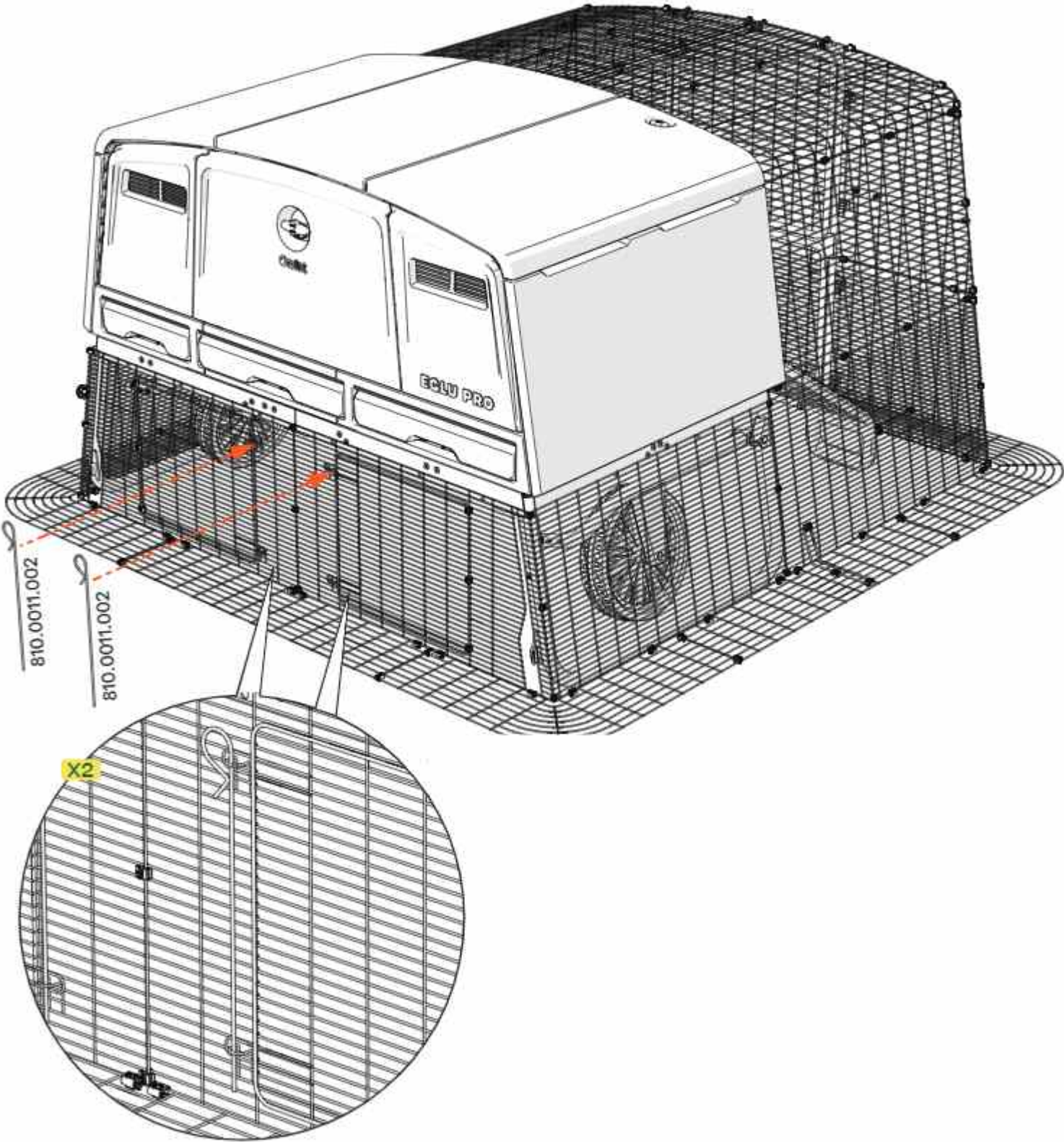
Box G



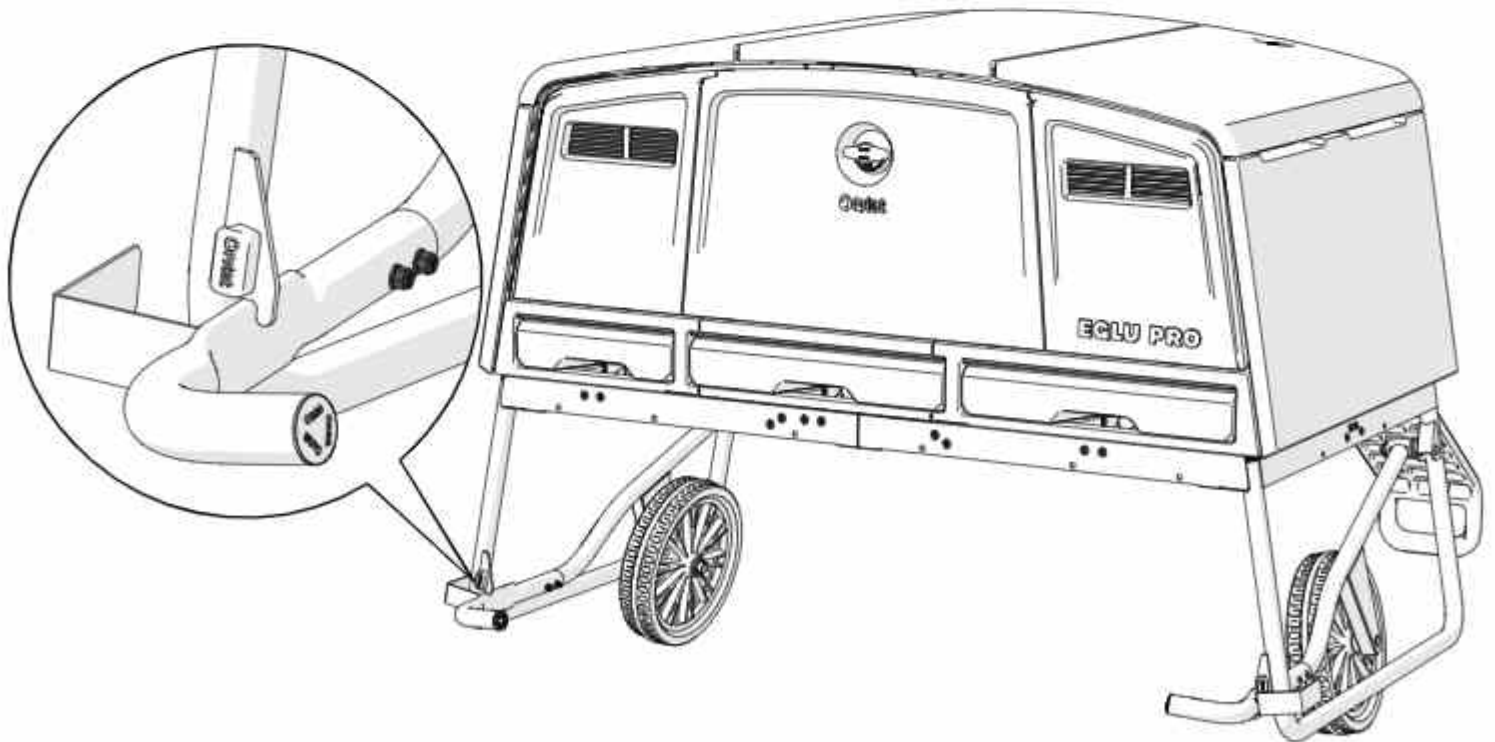
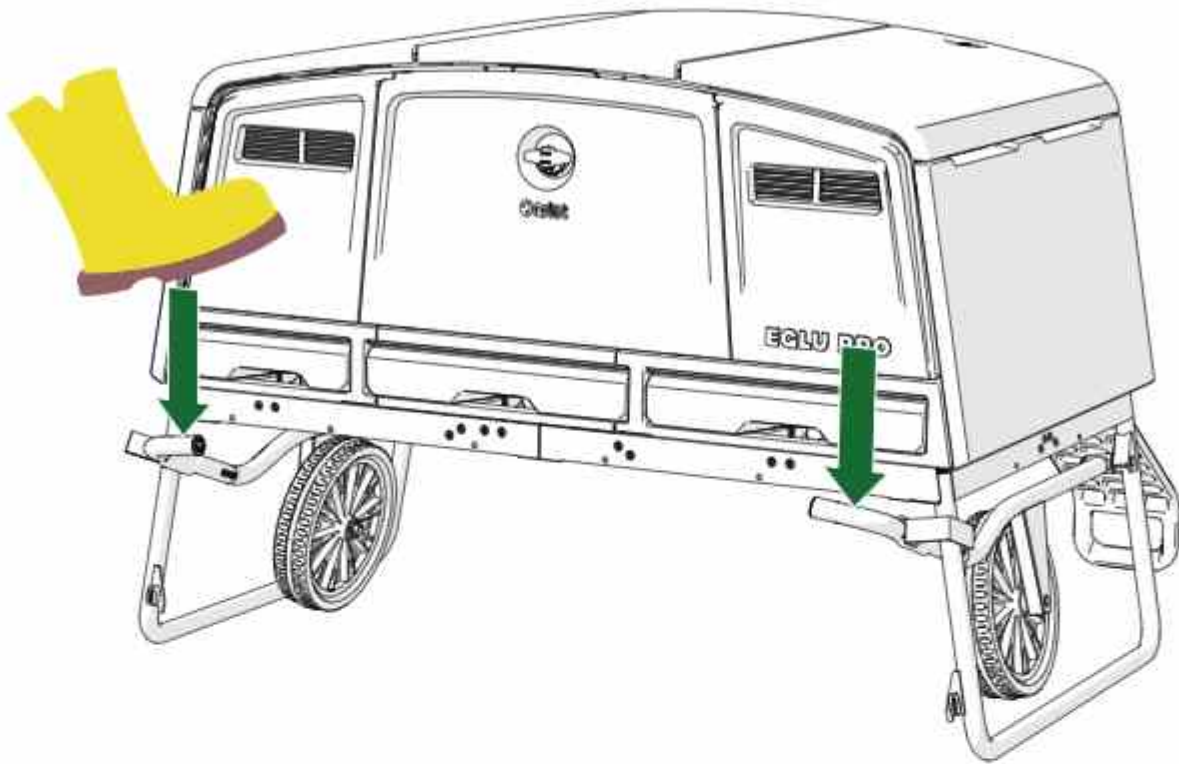
22

Box G

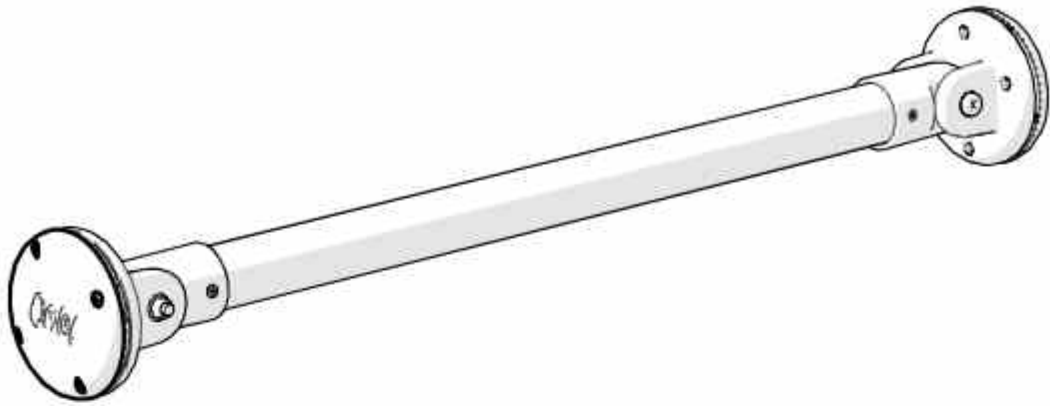




Using the Wheels (run not shown for clarity)



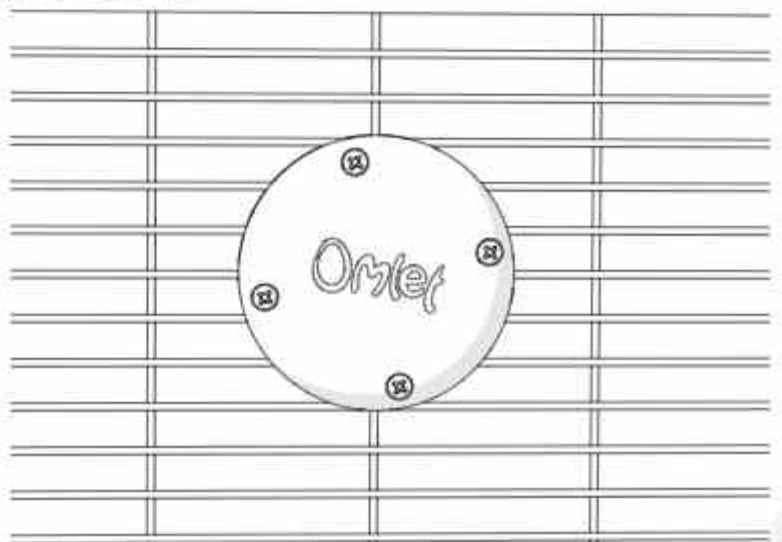
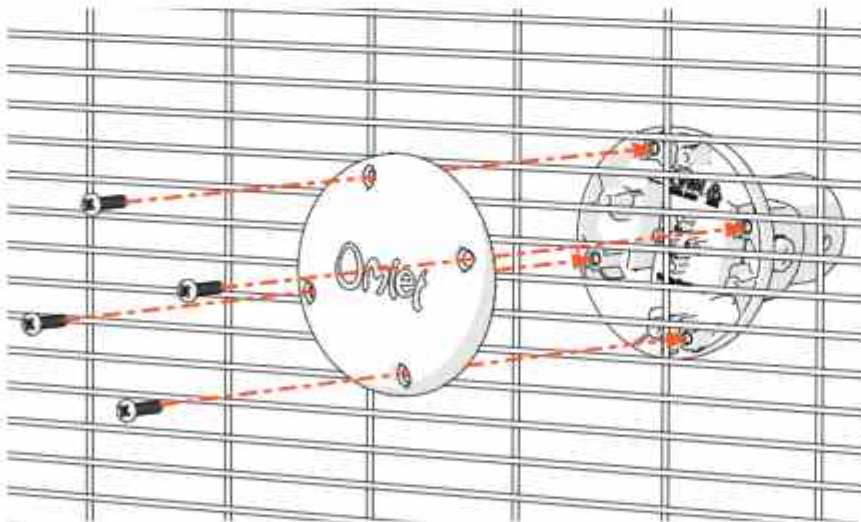
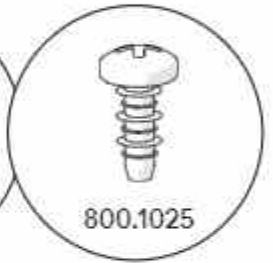
To attach an Omlet perch to the lower half of the run with the smaller mesh pitch, please see the information below.



You will need...



Do not use



A WIDER WORLD AWAITS



Omlet



Please reuse,
compost,
recycle.

© Copyright Omlet Ltd. 2024

Design registered, patent pending

Omlet and Eglu are registered trademarks of Hebe Studios Ltd.

820.0946_ Instruction Manual Eglu Pro Run_ 29/01/2024

