

EGLU PRO

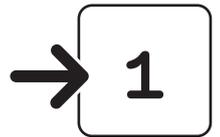
Autodoor assembly guide



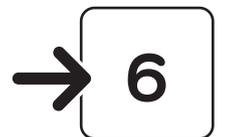
Omlet

Use this manual for attaching the Autodoor to the Pro. Refer to the Autodoor manual first for assembly of the door itself.

If you are attaching your Autodoor after you have assembled your Eglu Pro coop please go to step 1.



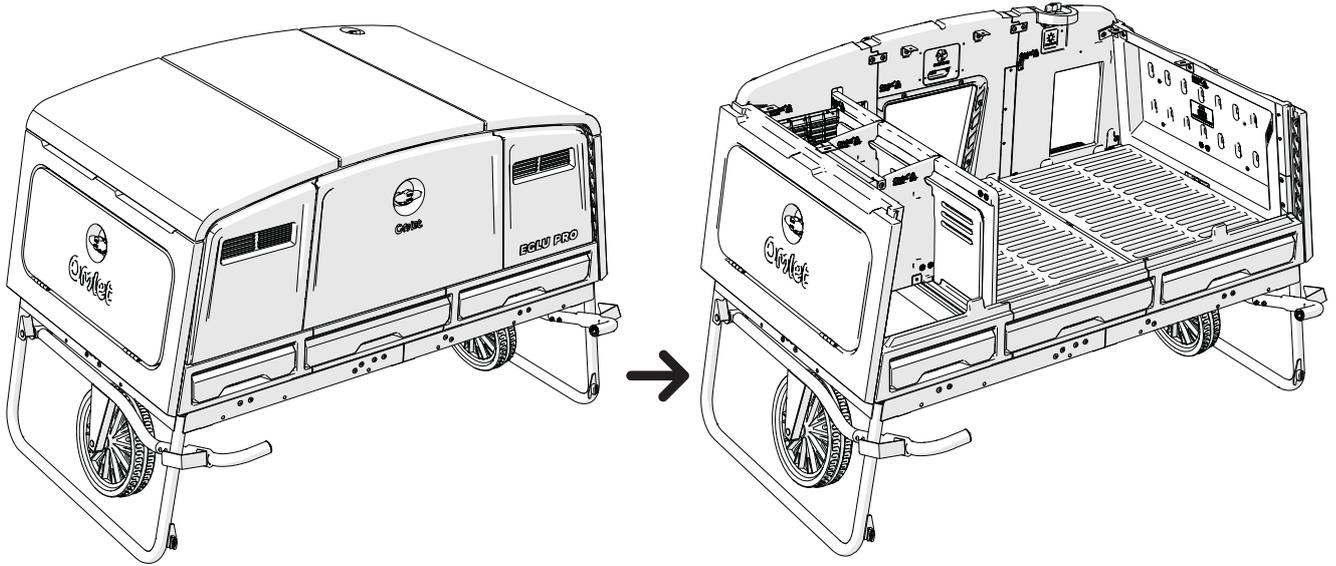
If you have come from step 49 of the main Eglu Pro Manual and are still assembling your coop please go to step 6.



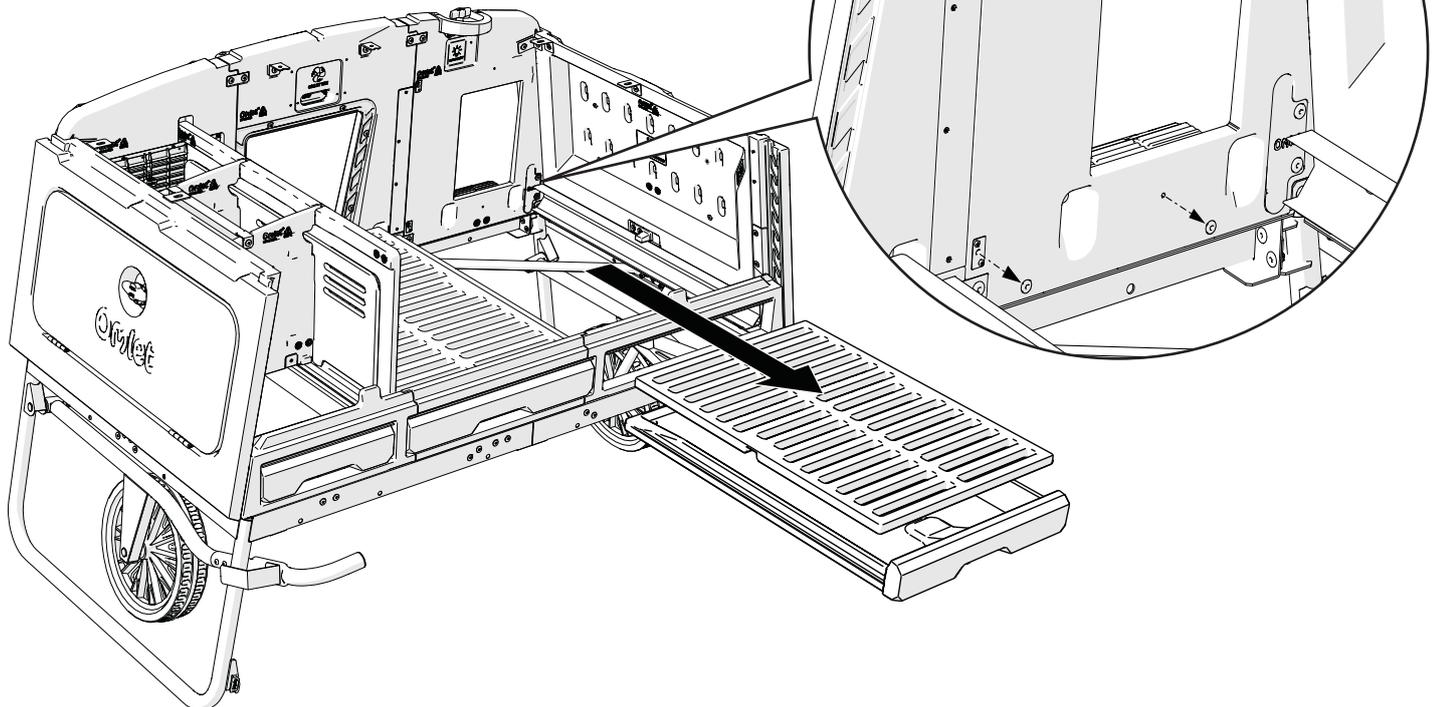
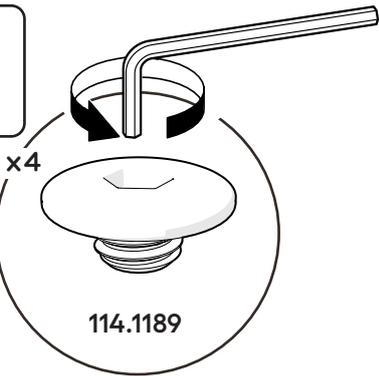
1



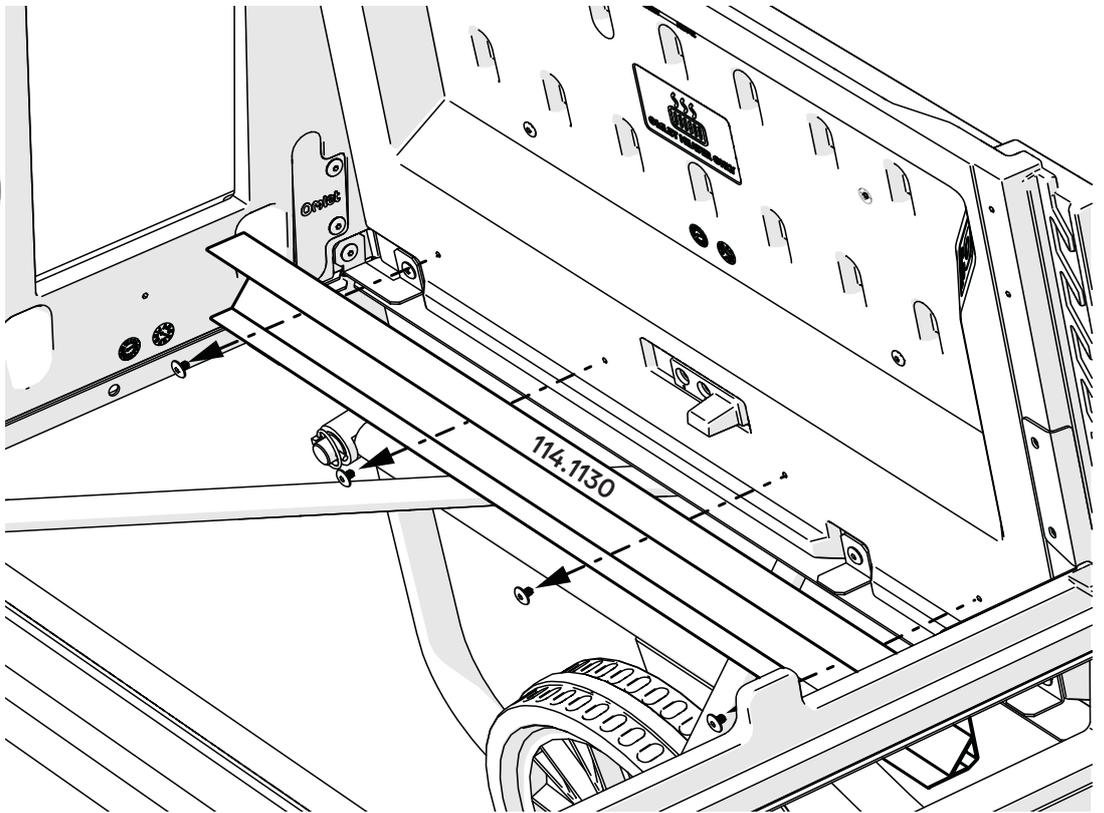
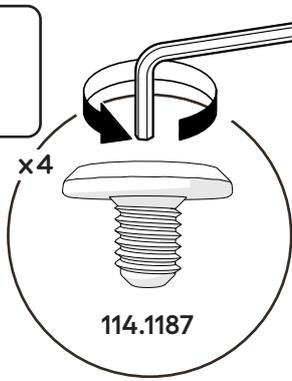
Roof removal optional



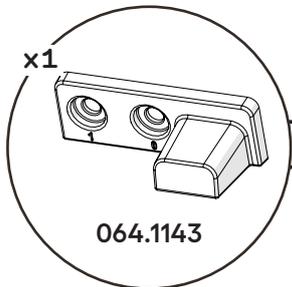
2



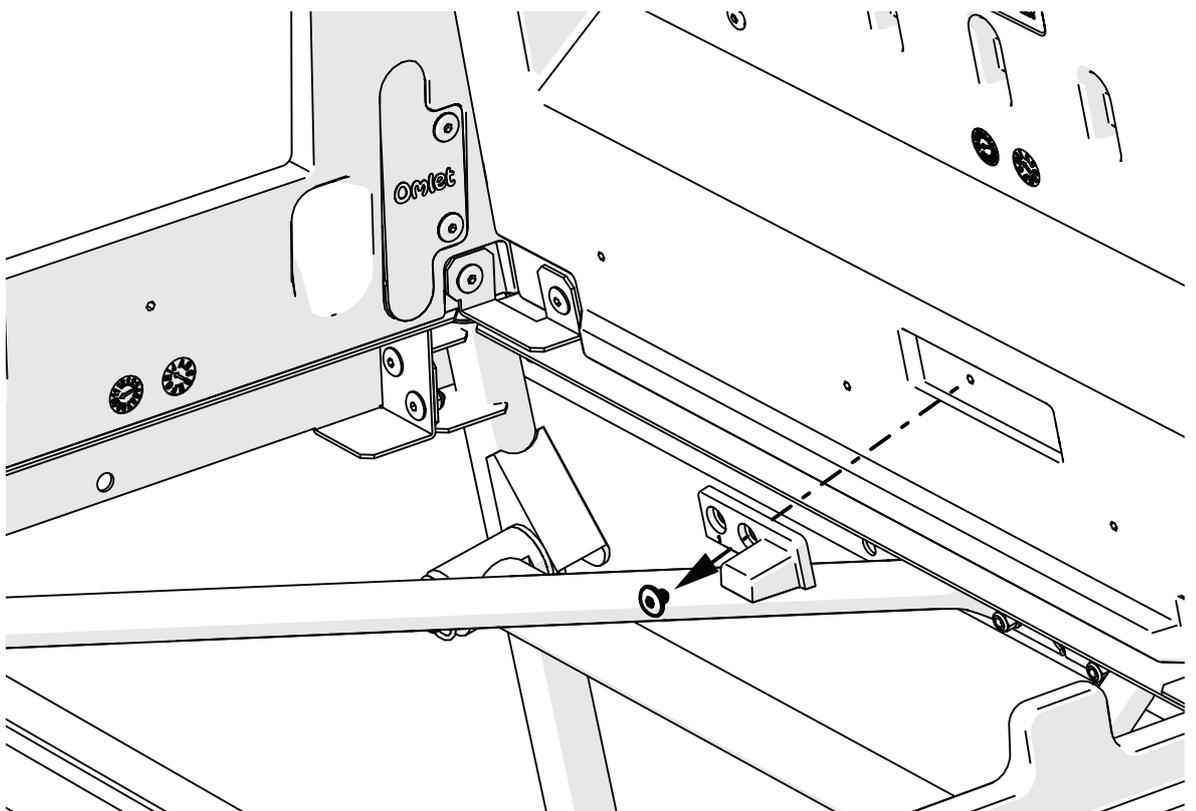
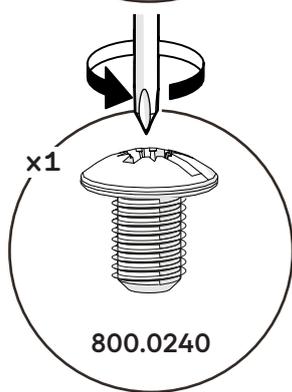
3



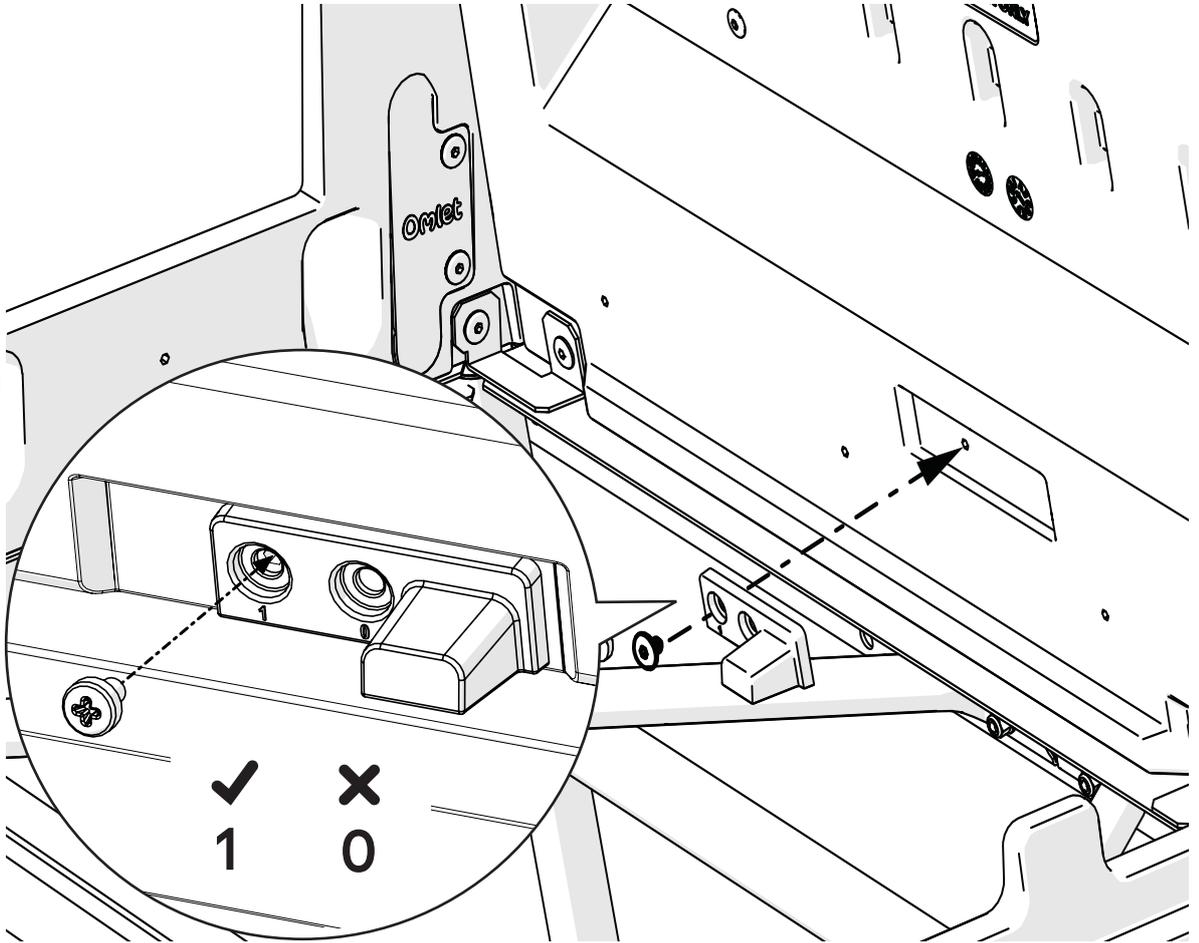
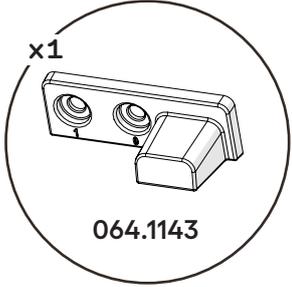
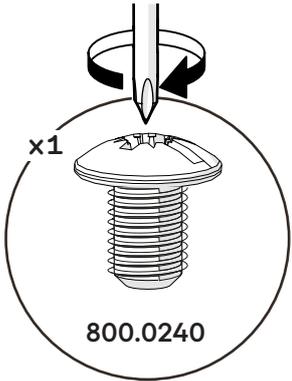
4



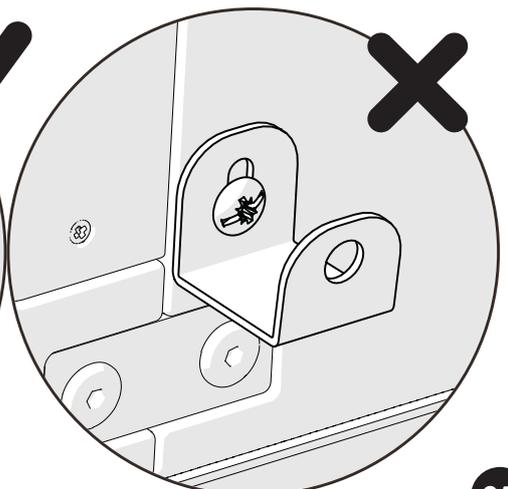
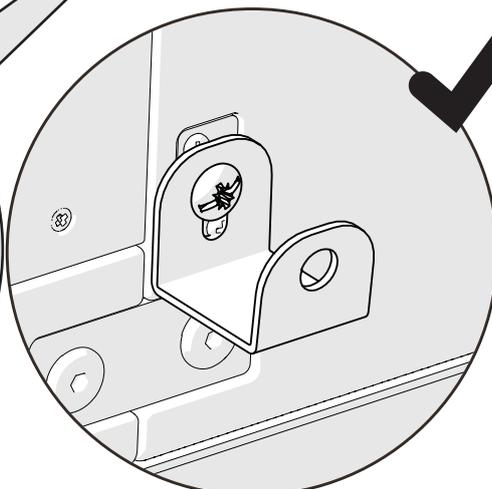
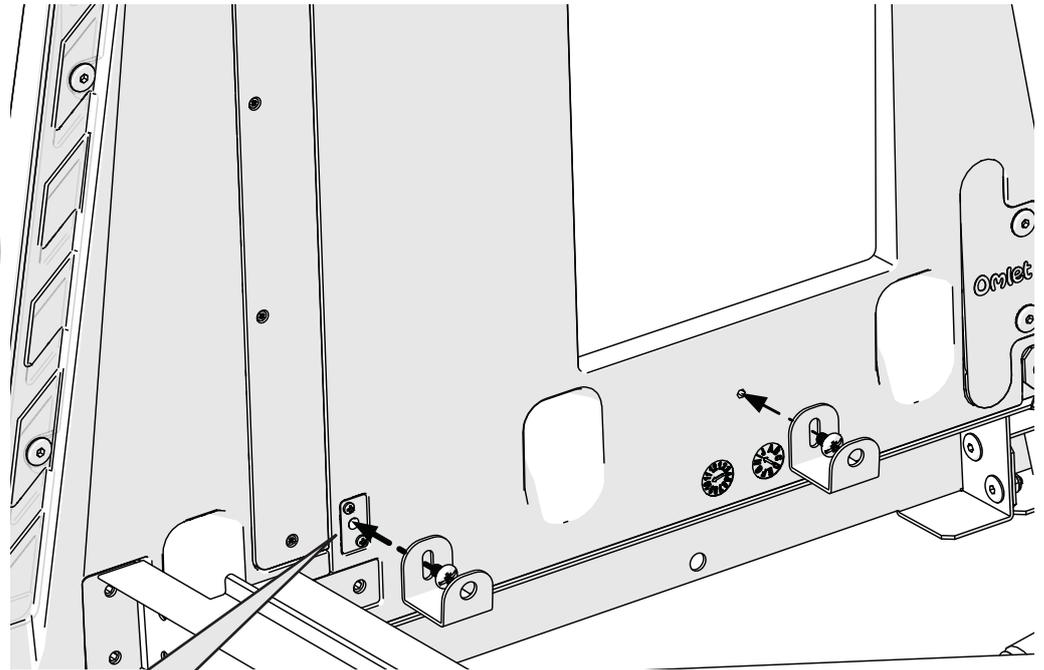
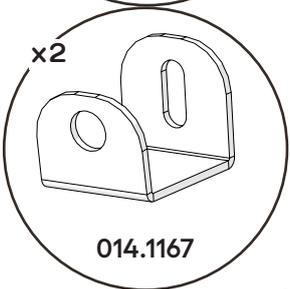
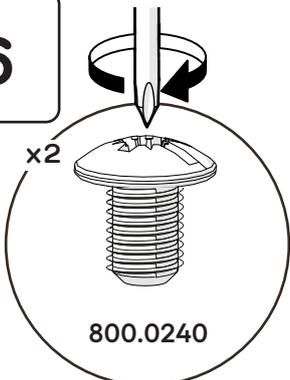
Keep the Parts safe until Step 5



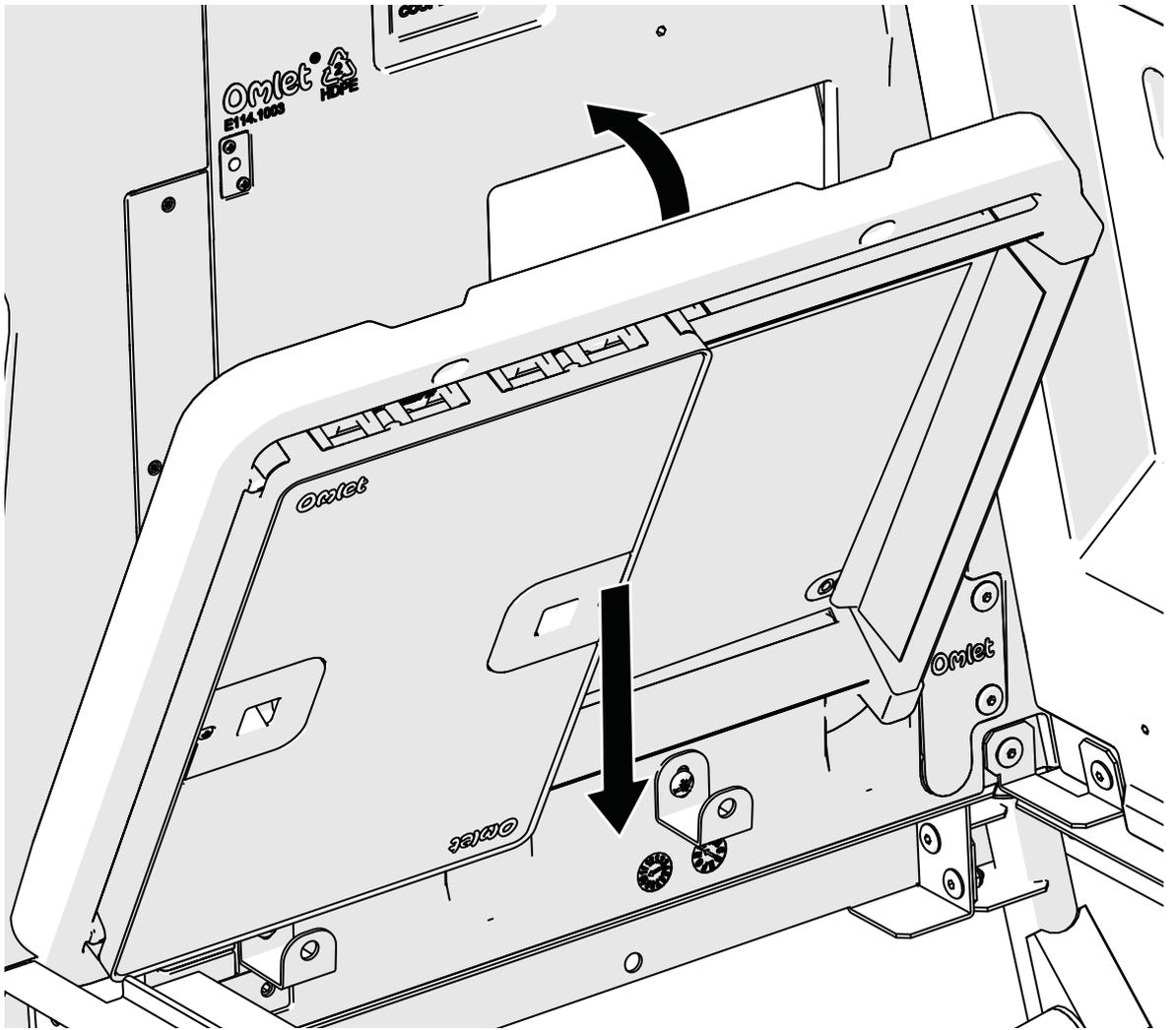
5



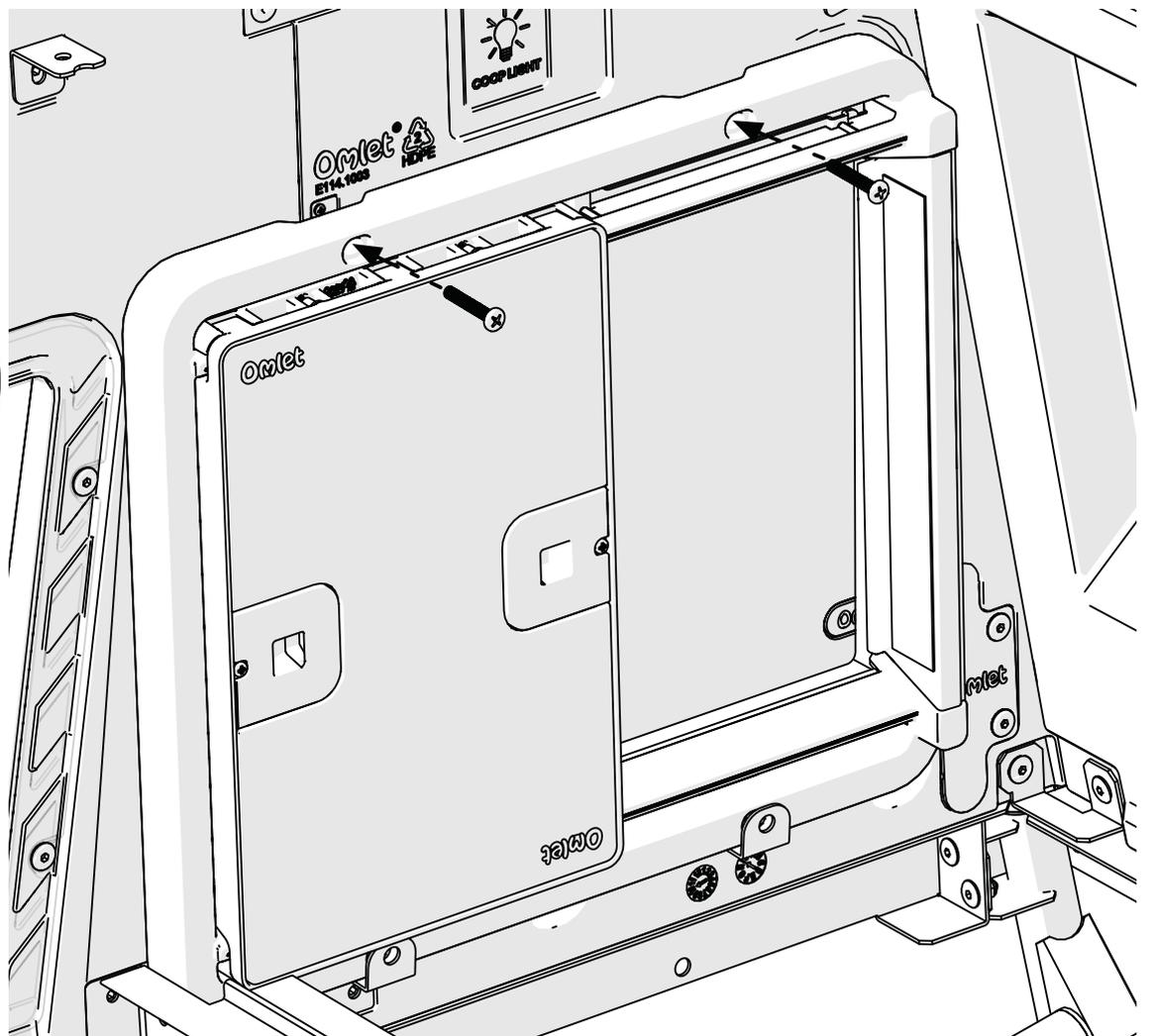
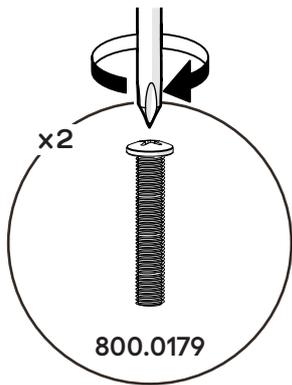
6



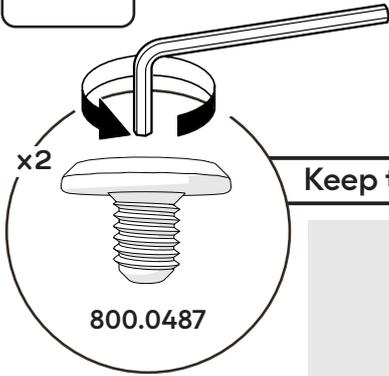
7



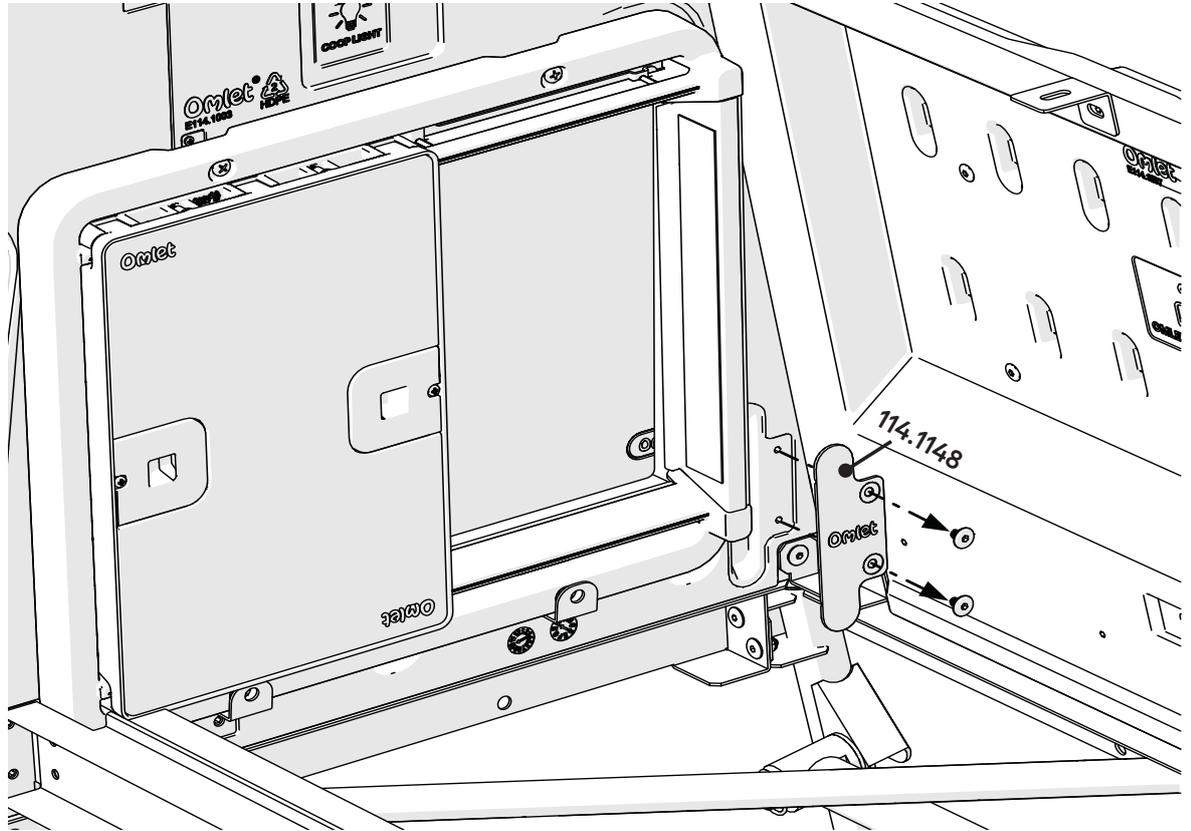
8



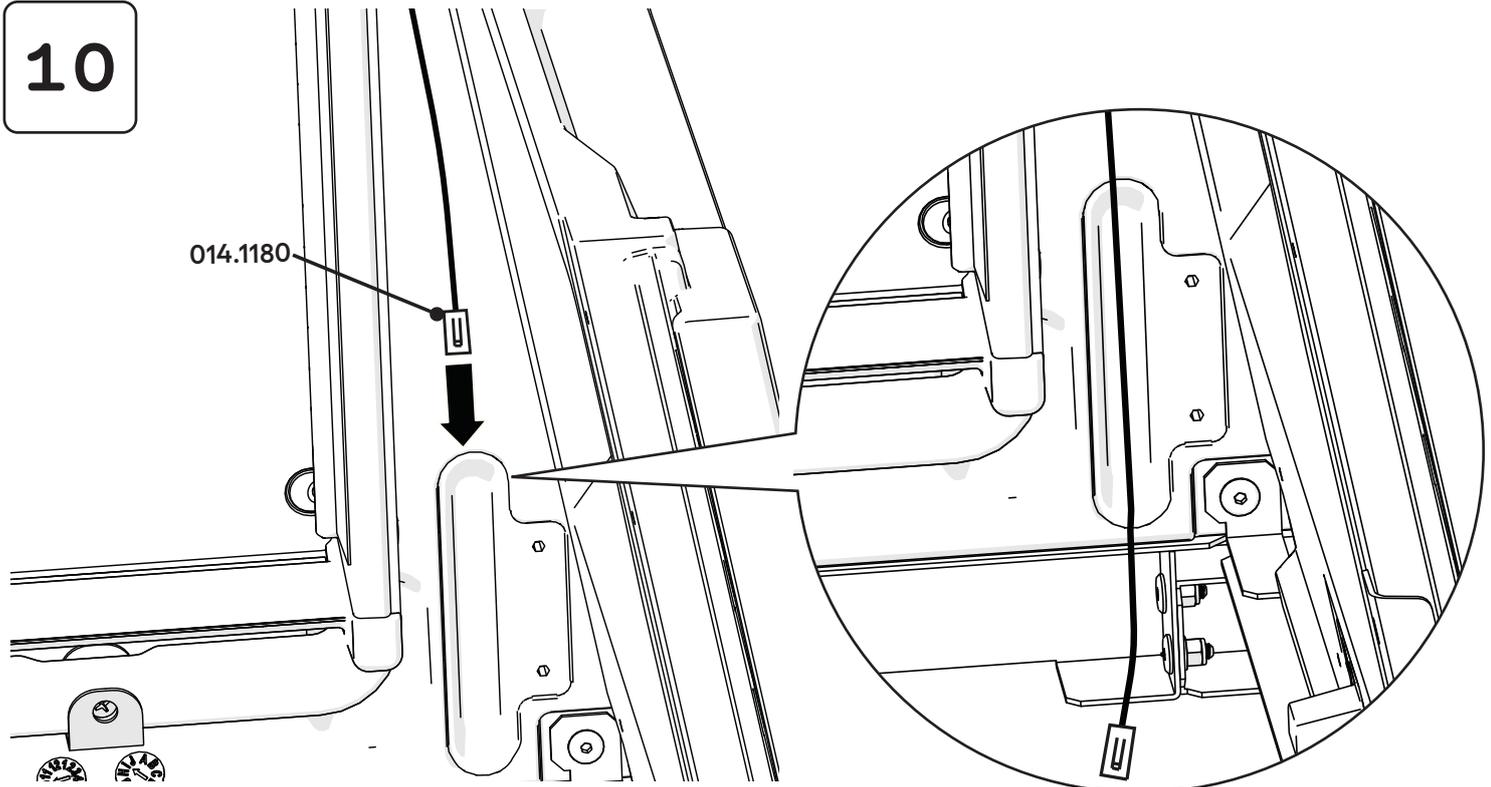
9



Keep the Parts safe until Step 11



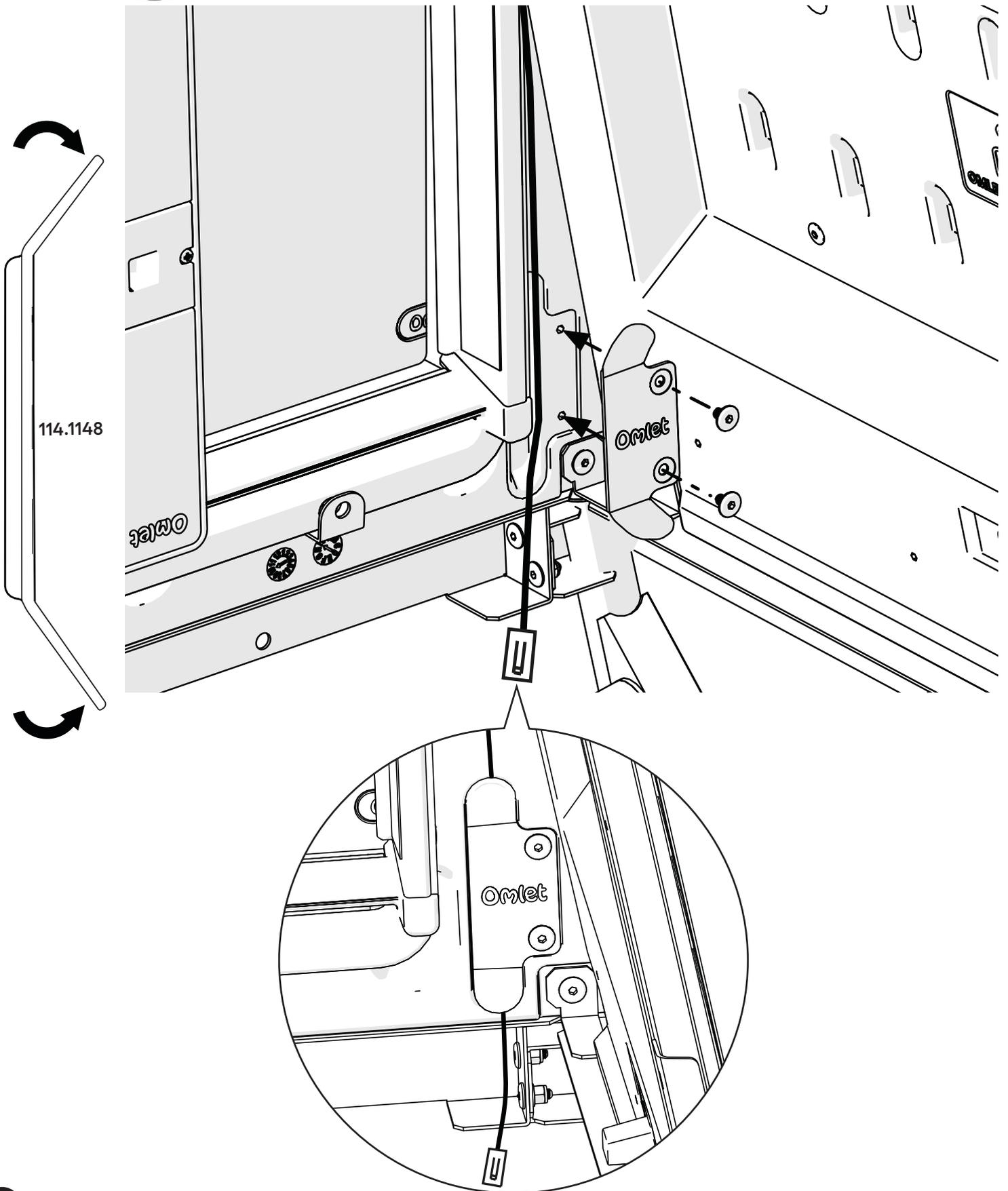
10

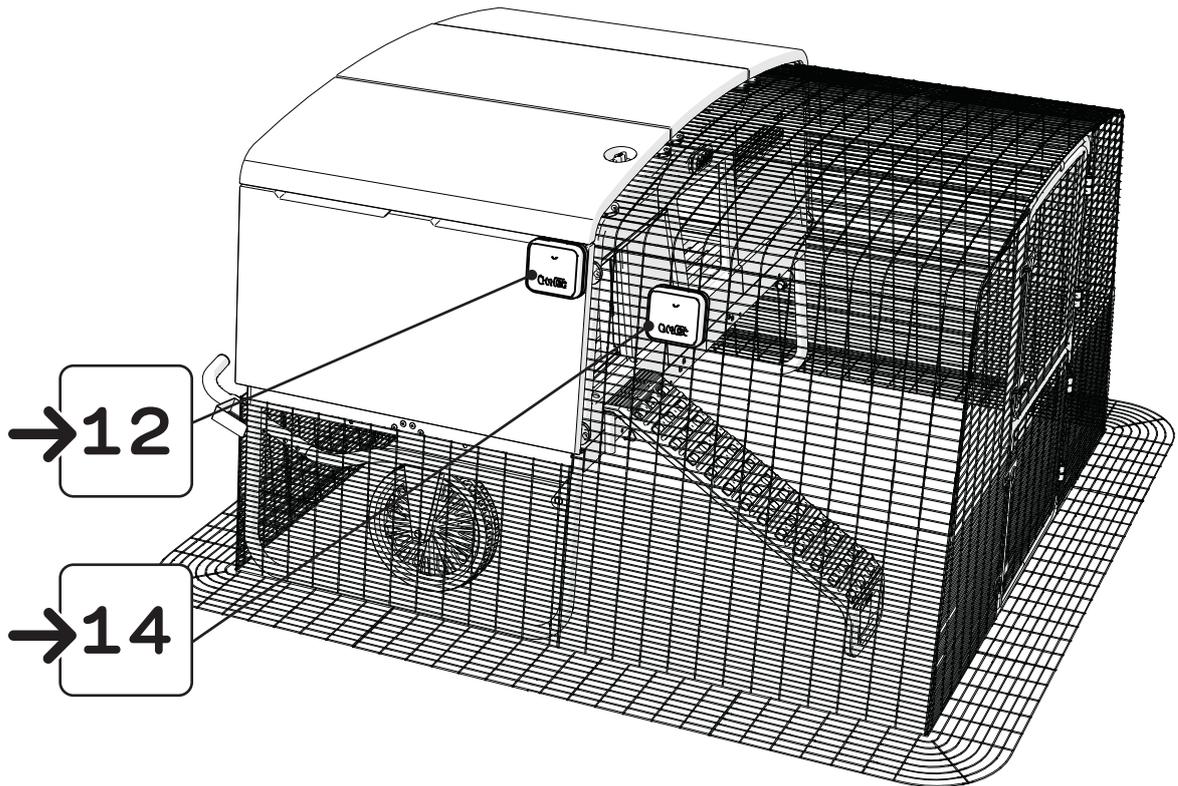


11

x2

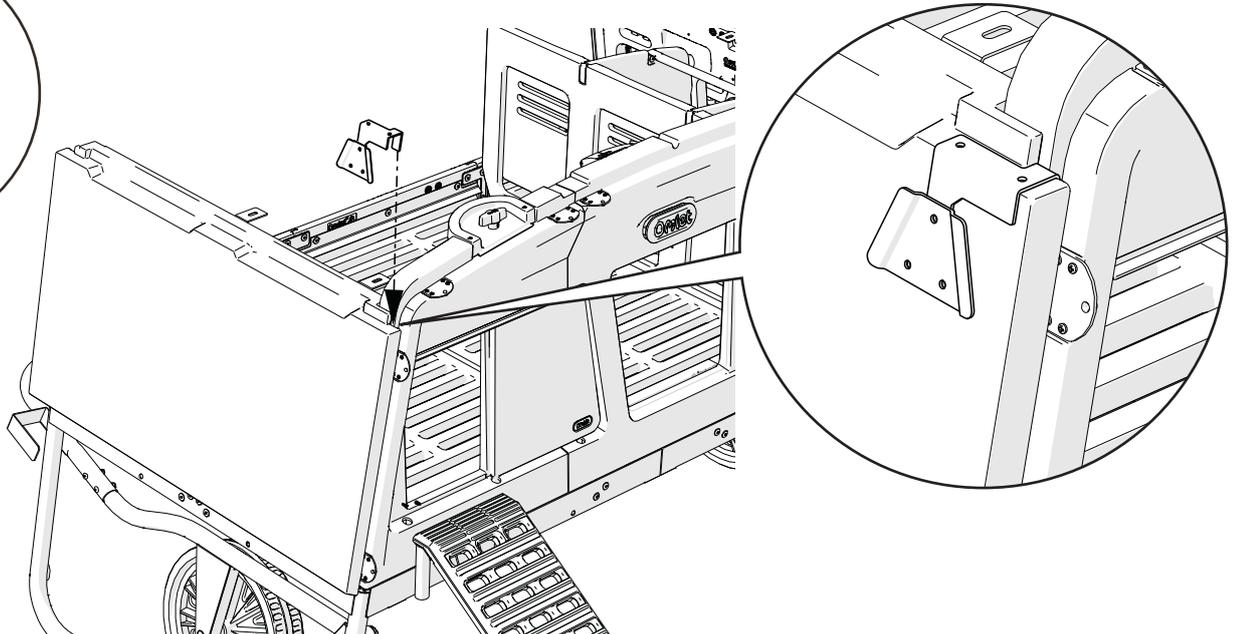
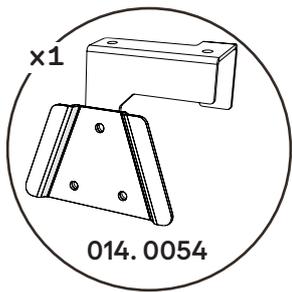
800.0487





12 If you haven't removed the roof, you can remove one bolt at the front and pull the corner up to slide the bracket on.

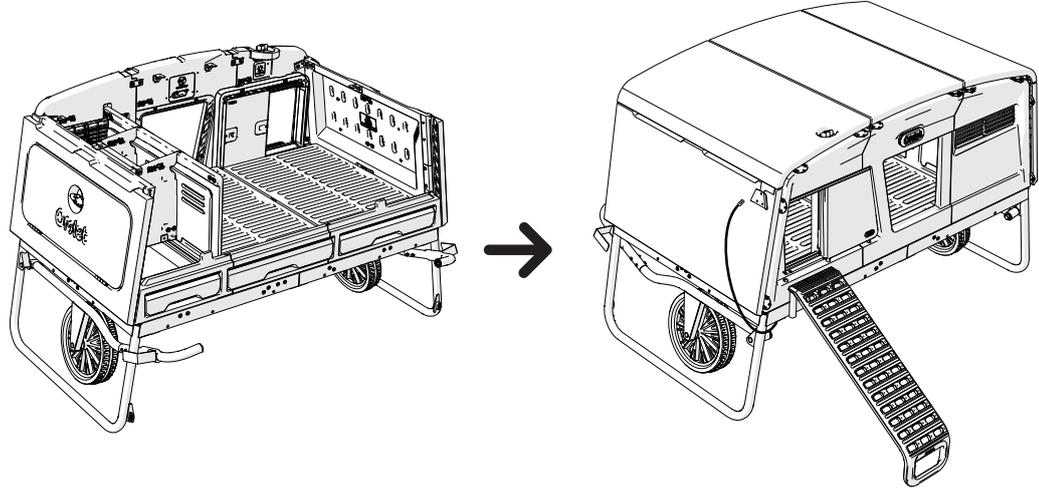
+ 014.0056: Control Panel Mounting Bracket Eglu Cube Mk2 & Pro House



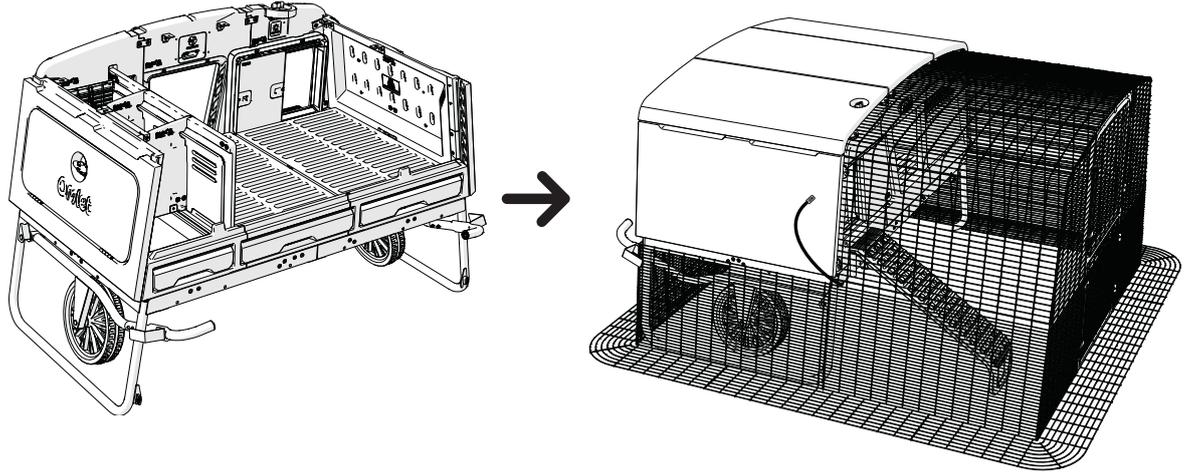
If you started with a fully assembled Eglu Pro, please reattach the components you removed at the beginning of this manual to get your coop fully reassembled.

If you still need to finish assembling your Eglu Pro coop, please return to step 49 of the main Eglu Pro instruction manual now.

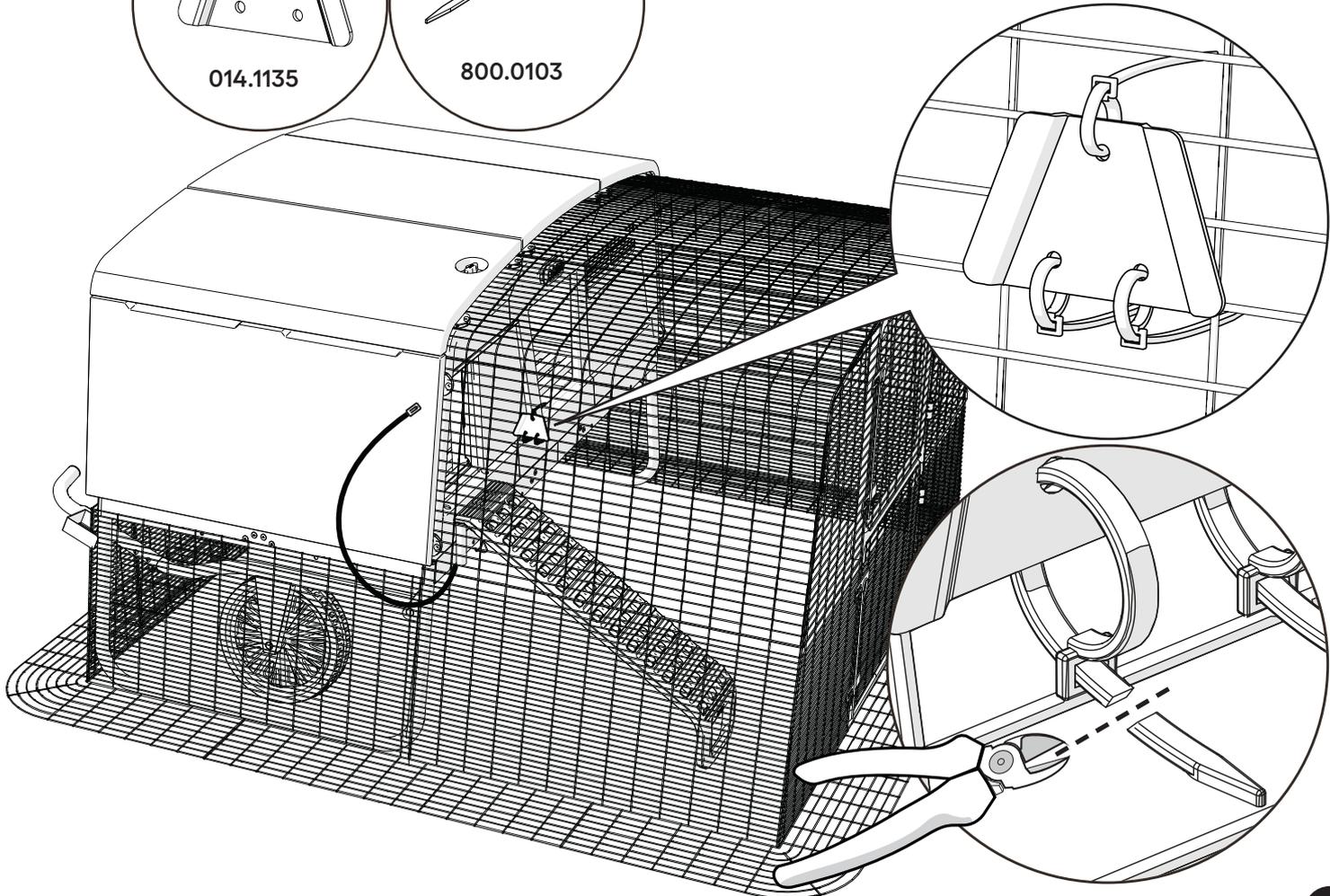
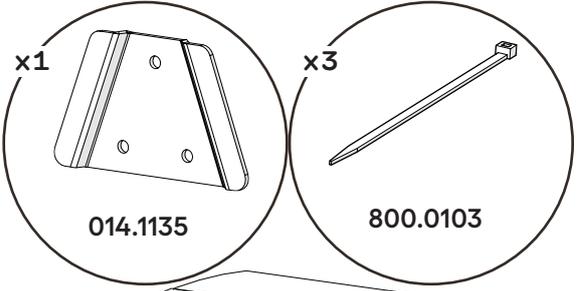
13



14



15



WE ASK. WE INVENT.



Omlet



Please reuse,
compost,
recycle.

© Copyright Omlet Ltd. 2024
Design registered, patent pending
Omlet and Eglu are registered trademarks of Hebe Studios Ltd.
820.2679_Instruction Manual Eglu Pro Autodoor Assembly 29/01/2024

