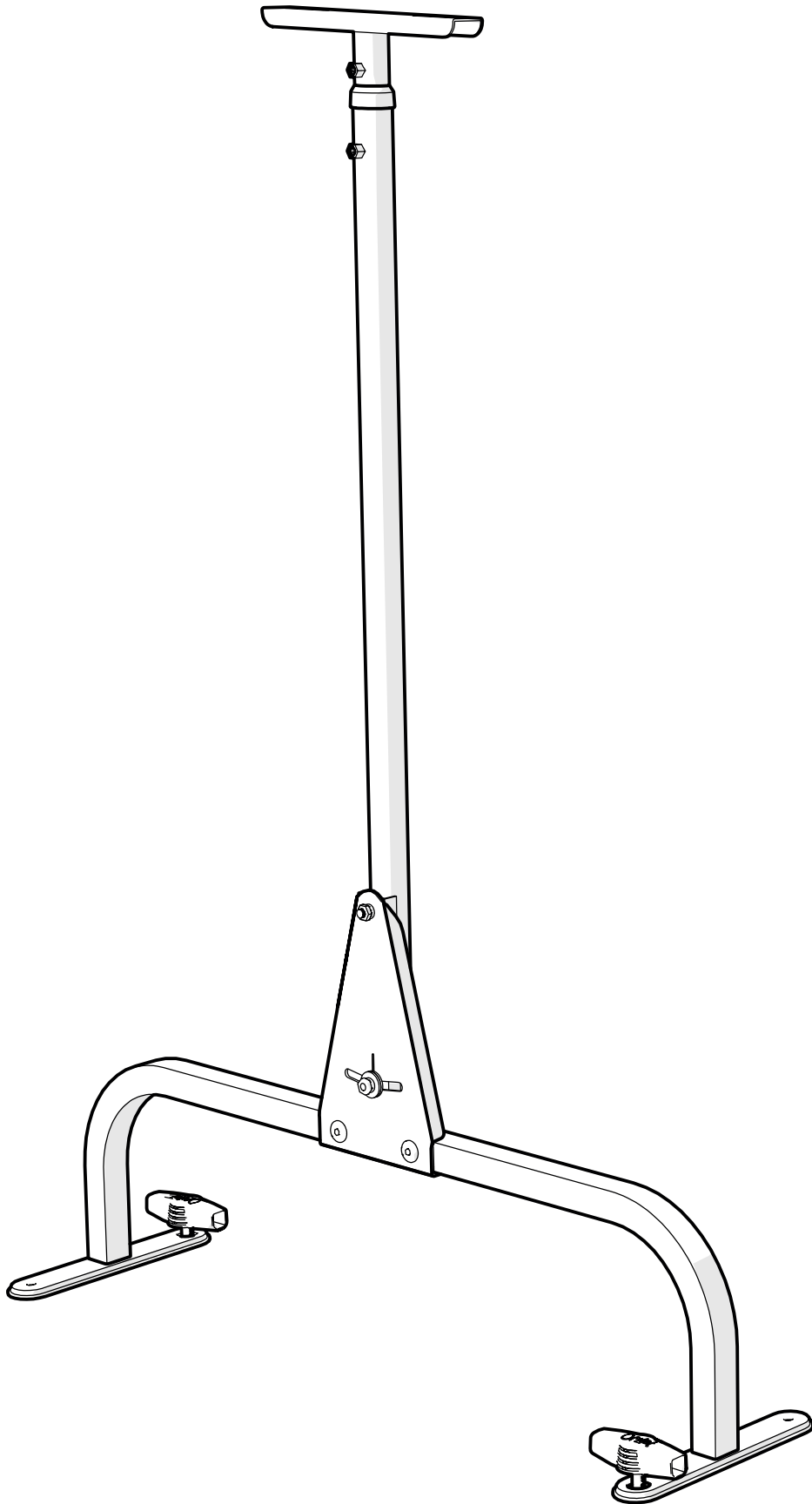


# STAND

## Module Assembly



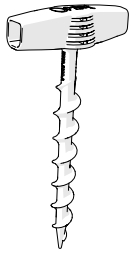
You will need...



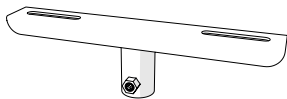
What you have received

DE Das haben Sie erhalten · FR Ce que vous avez reçu · NL Wat u heeft ontvangen · IT Cosa hai ricevuto  
 ES Qué ha recibido · SE Vad du har fått · DK Du har modtaget · NO Hva du har mottatt · PL Co otrzymałeś/eś

096.0032 Boxed Tunnel Stand



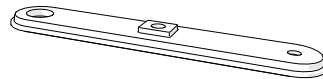
X2  
Peg  
009.1000



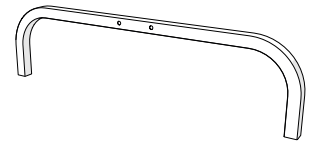
X1  
Stand Top Plate  
096.0016



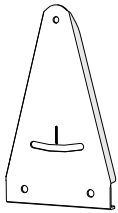
X1  
Stand Outer Pole  
096.0017



X2  
Stand Floor Plate  
096.1051



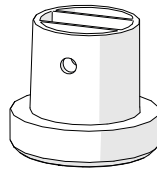
X1  
Stand Base  
096.1052



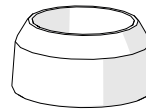
X1  
Stand Pivot Plate  
096.1053



X1  
Stand Inner Pole  
096.1054

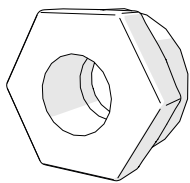


X1  
Stand Bottom Spacer  
096.1059

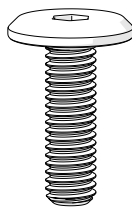


X1  
Stand Top Spacer  
096.1060

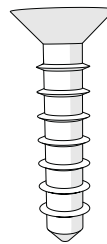
096.0108 Fixings Pack Tunnel Stand



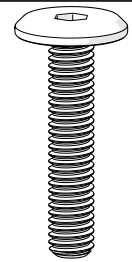
X4  
M6 Locknut  
800.0235



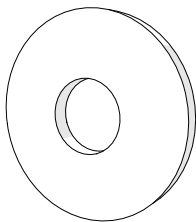
X2  
M6 x 20mm Bolt  
800.0280



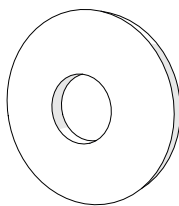
X1  
Pozi Self Tapping  
Countersunk Screw  
800.0296



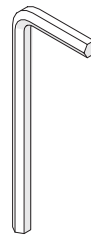
X2  
M6 x 30mm Bolt  
800.0355



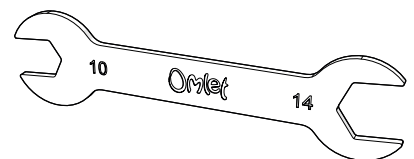
X2  
Nylon Washer  
M6 x 18 x 1.6mm  
800.0449



X2  
Steel Washer  
ID 6.5 x OD 18 x 1.6mm  
800.0451

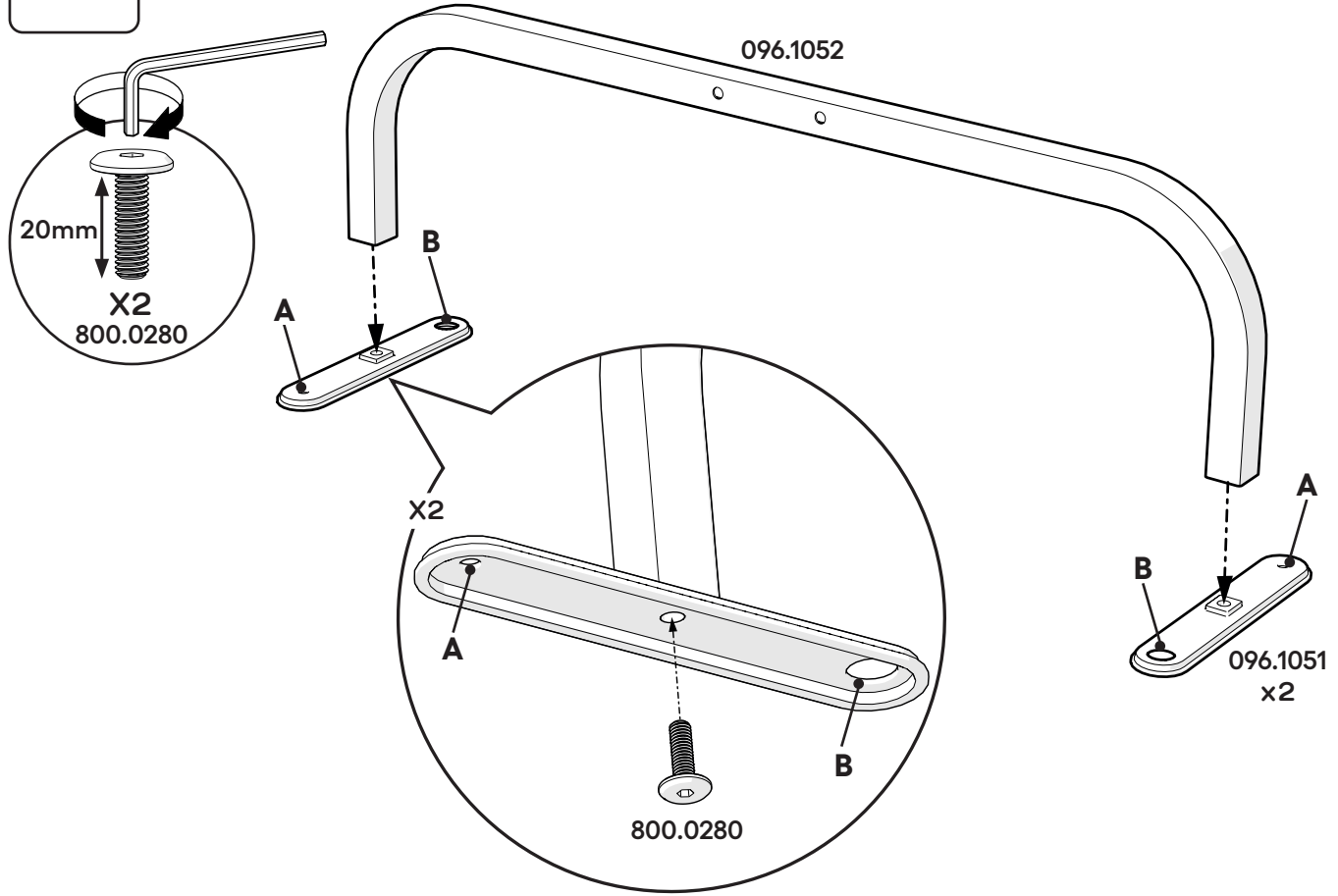


X1  
3mm Allen Key  
810.0288

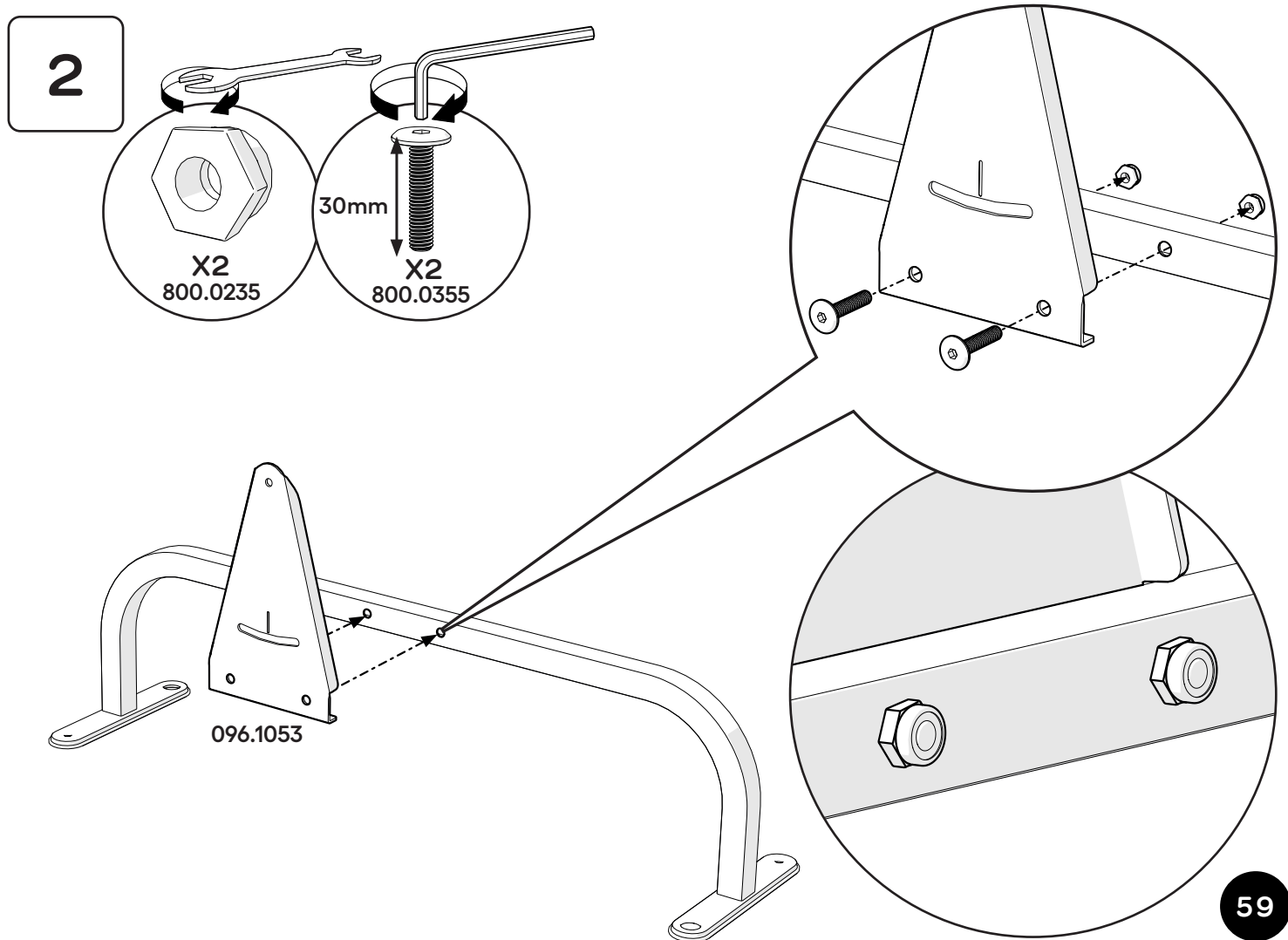


X1  
Double Ended  
Spanner 10mm 14mm  
810.1123

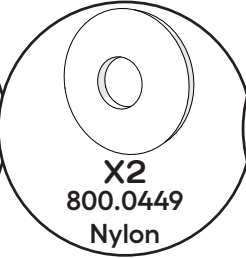
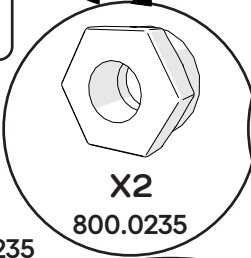
1



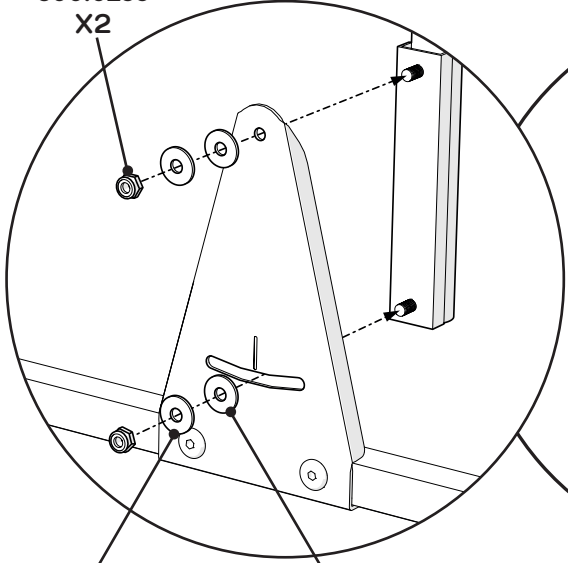
2



**3**

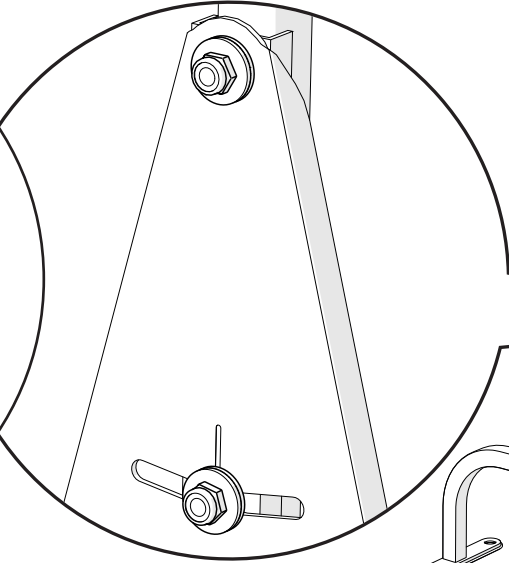


800.0235  
X2

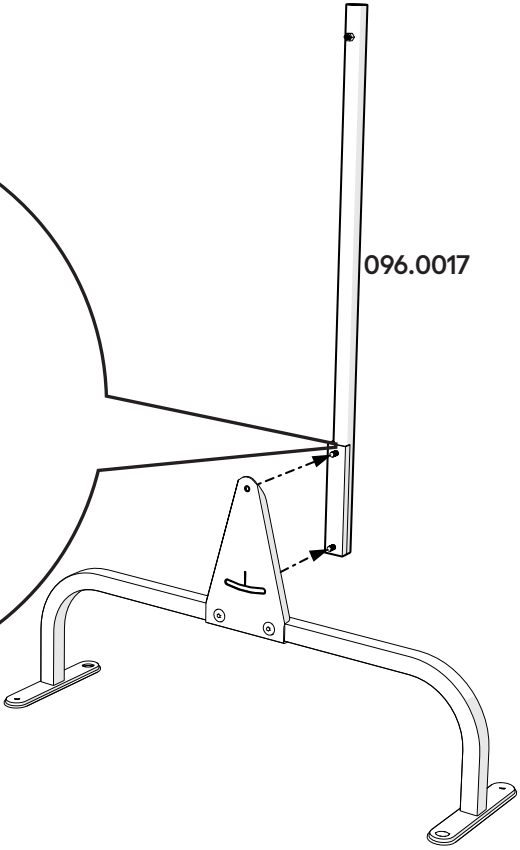


800.0451  
Steel

800.0449  
Nylon



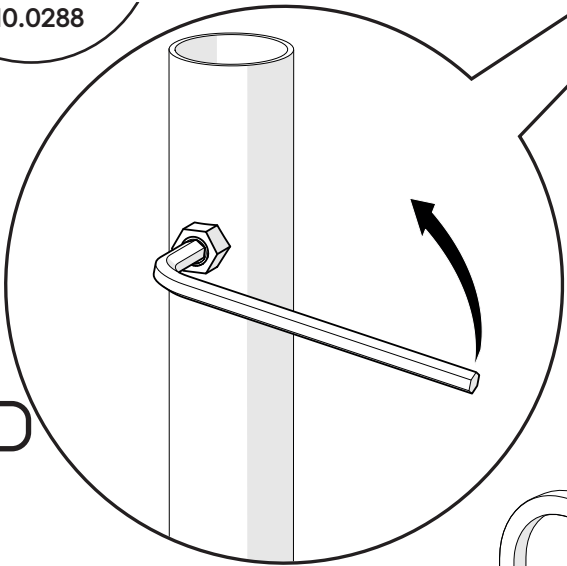
096.0017



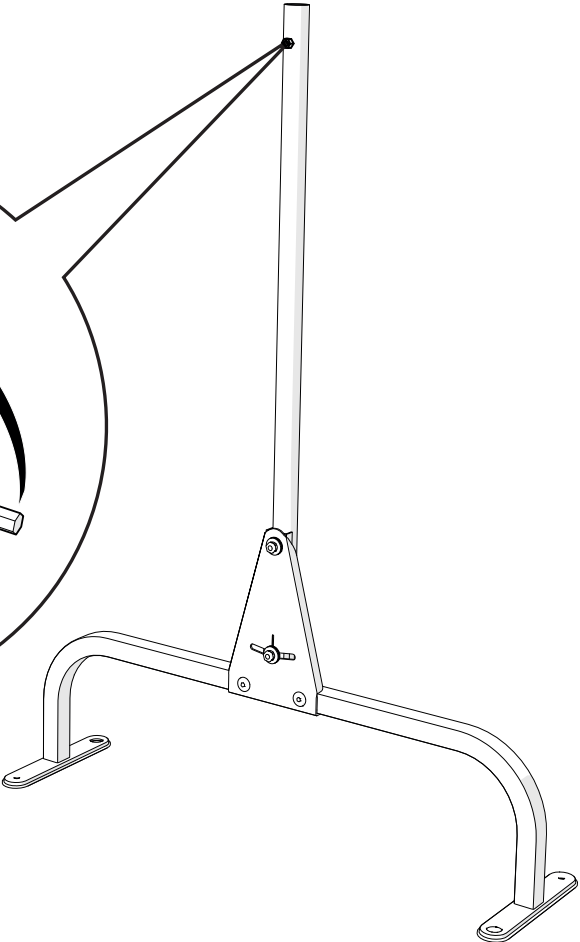
**4**



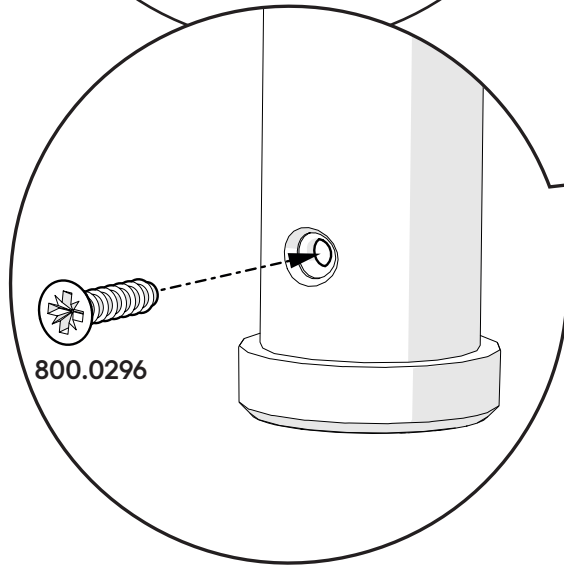
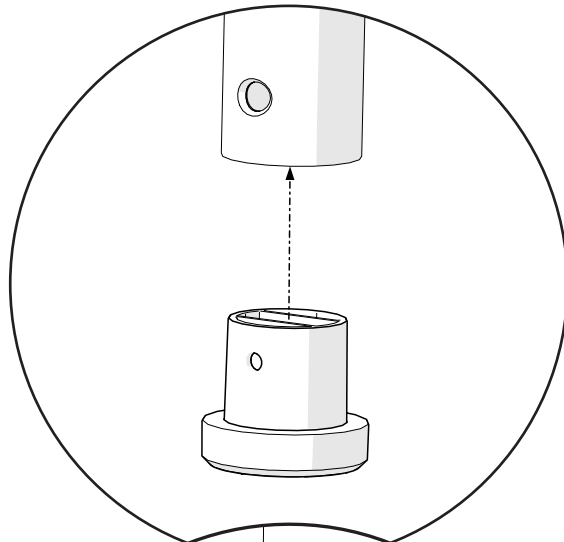
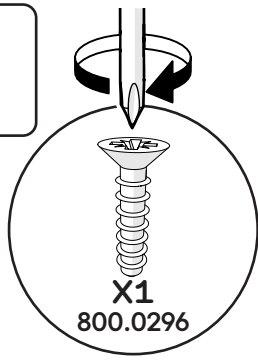
810.0288



Partially loosen



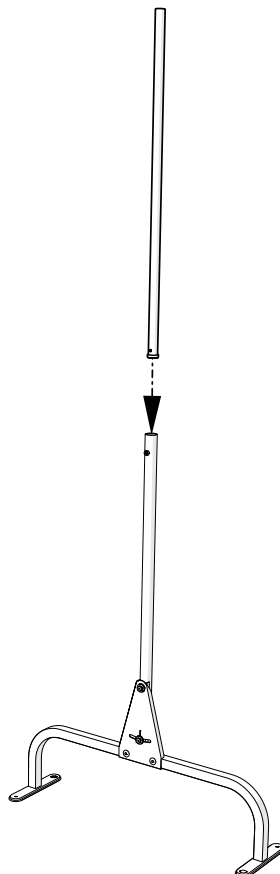
5



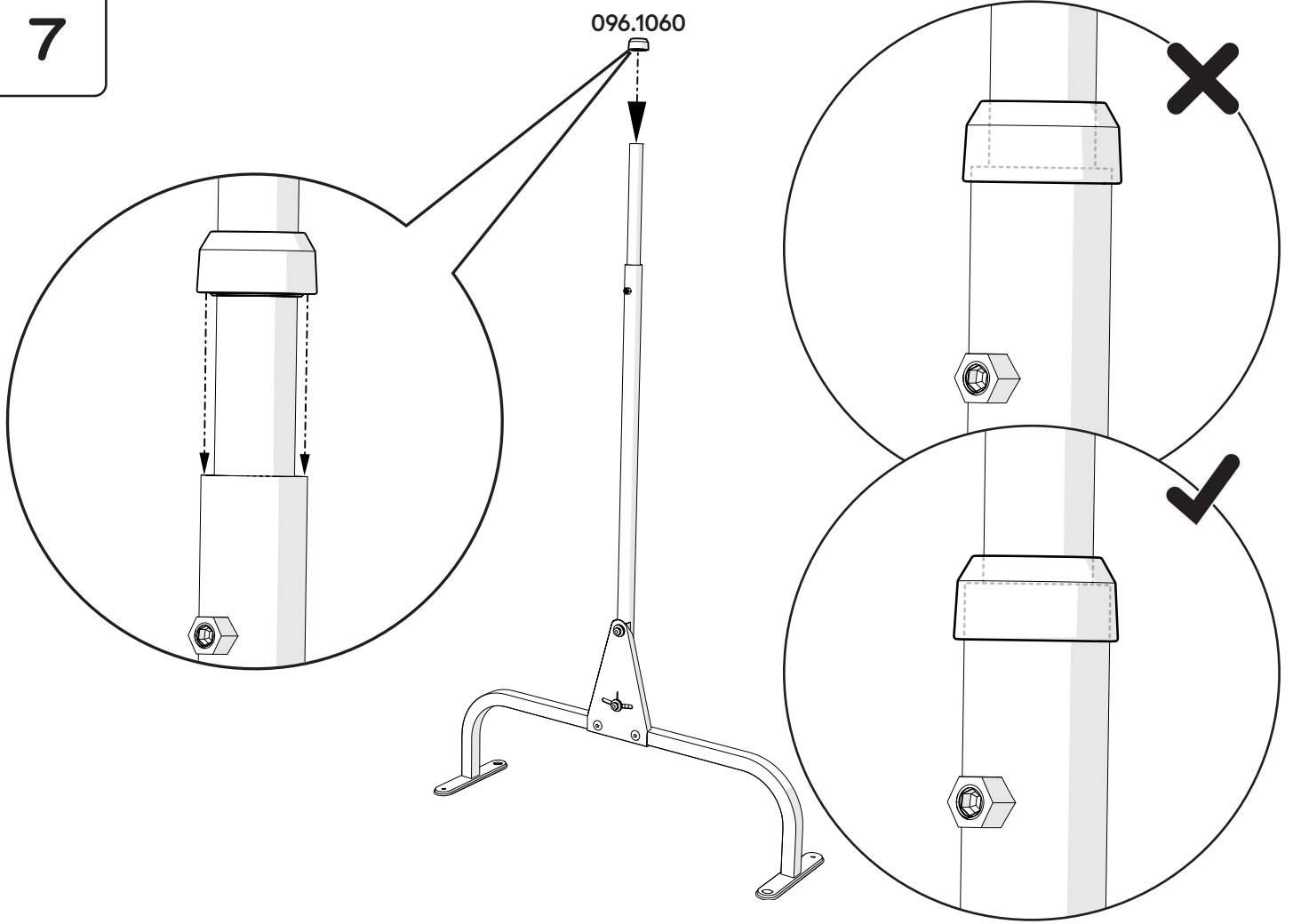
096.1054

096.1059

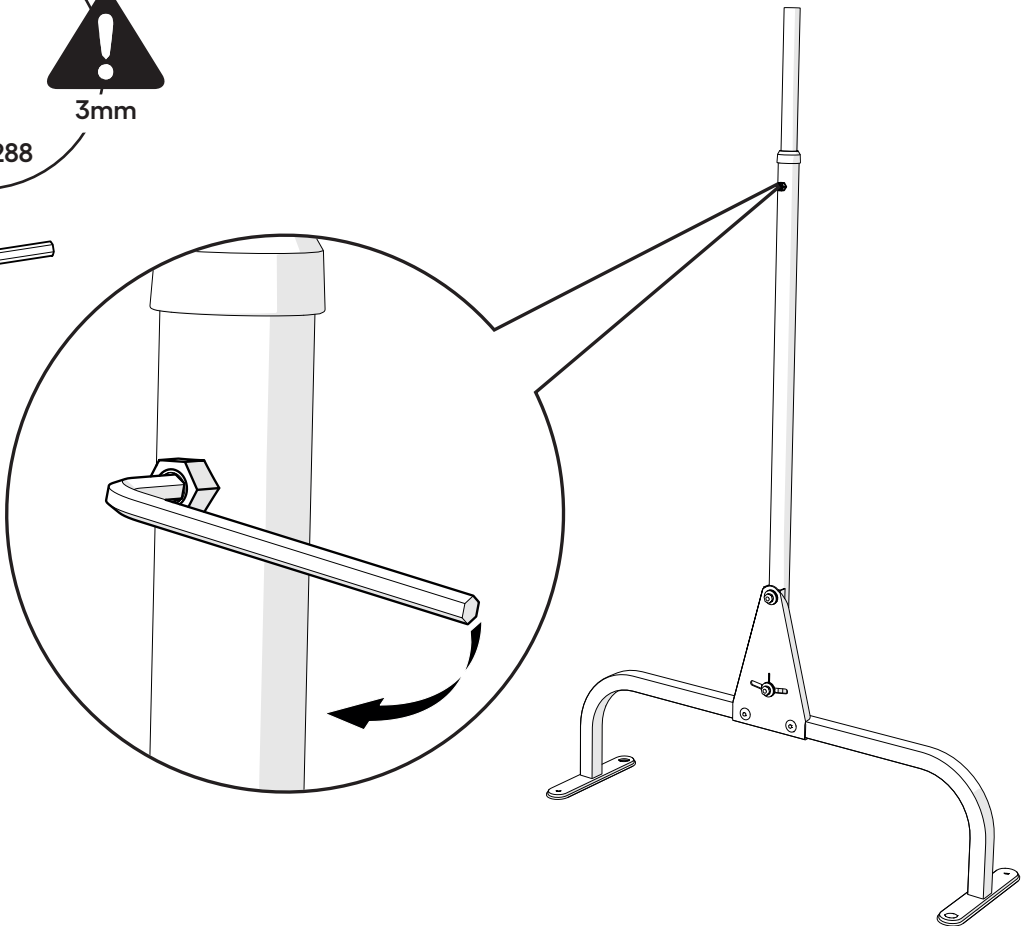
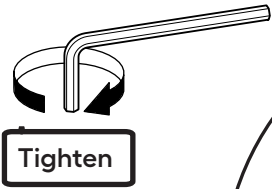
6



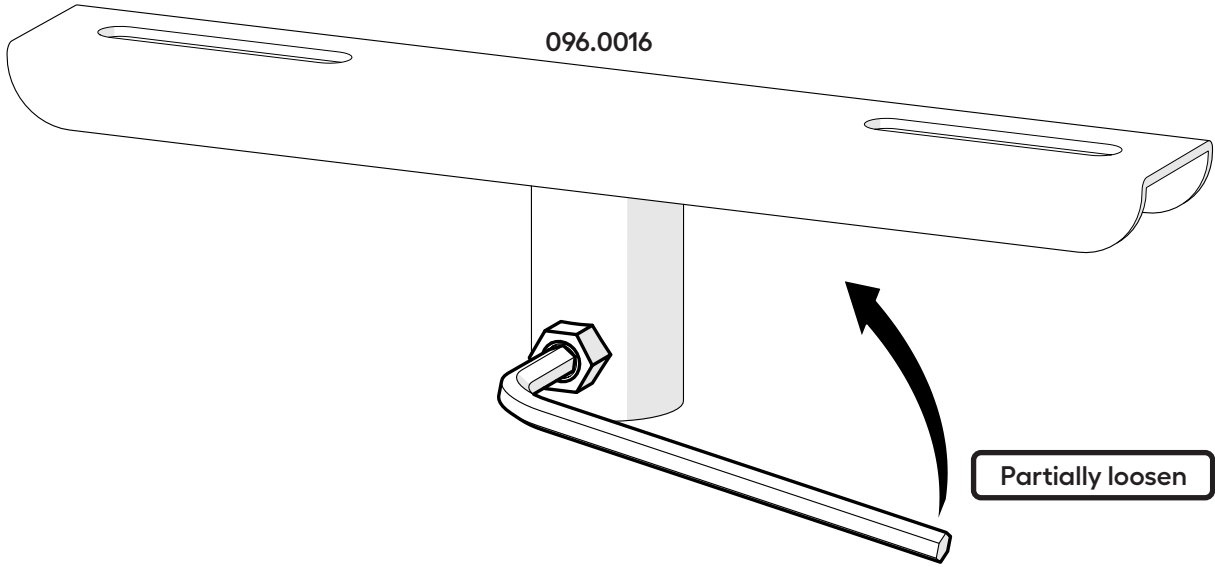
7



8



9



10

