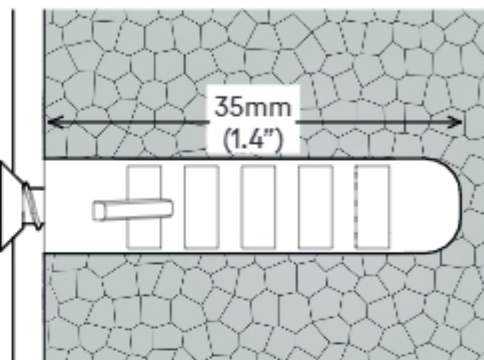
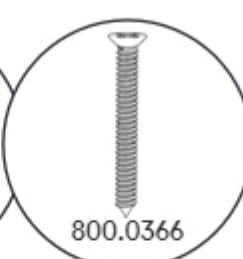
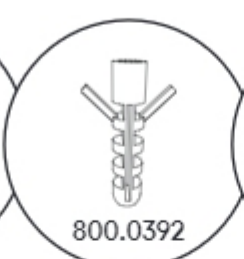
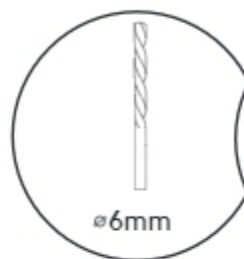


# WALL FIXINGS OPTIONS

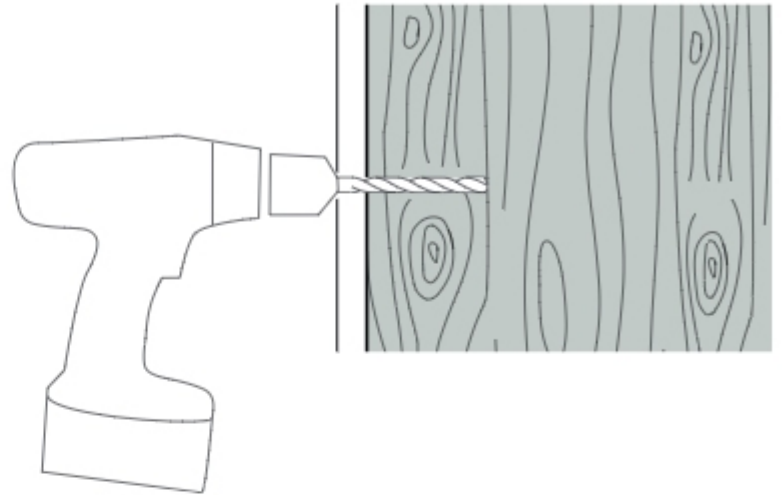
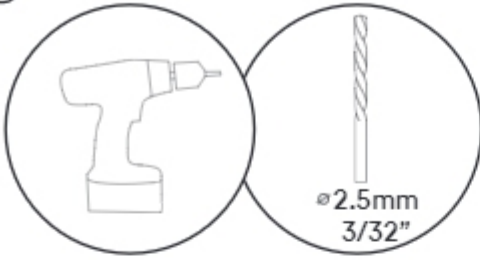
**!** Optional - The hardware used to attach your Tunnel to the wall depends on the materials. If your material is not listed or you have any questions, consult with an expert.

## Solid Masonry

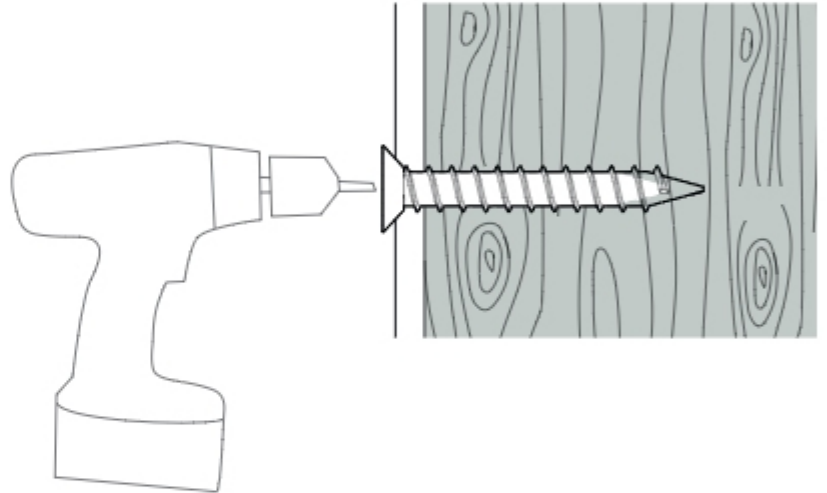
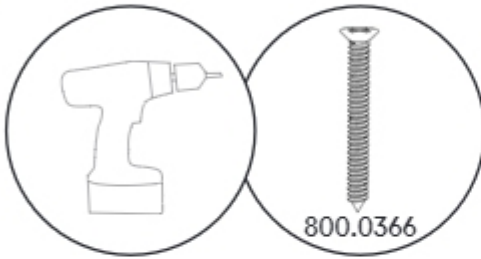


1

Please drill a pilot hole before screwing into the wood.



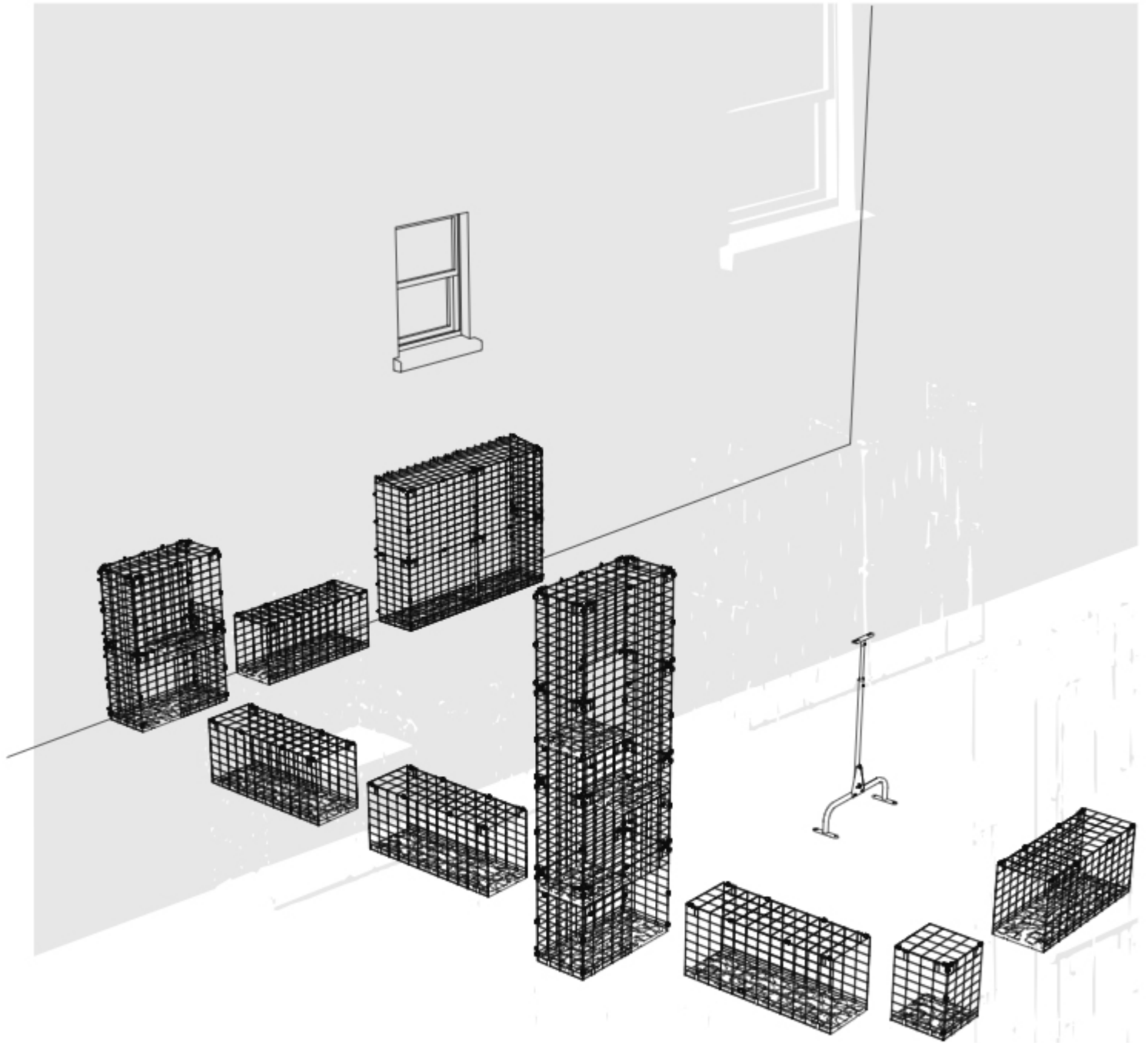
2



# SYSTEM ASSEMBLY

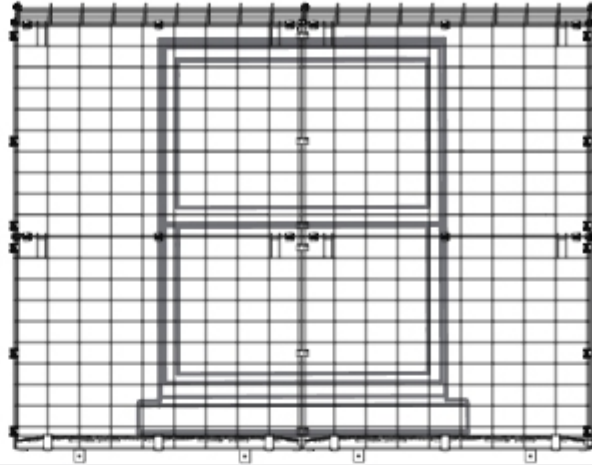
You should now have all of your Modules assembled individually. It's now time to put them together.

Plan your system by laying out your modules before connecting them together. You will set up the Entry point for your cat first, then assemble the Walkway, and finally attach it to the Destination.

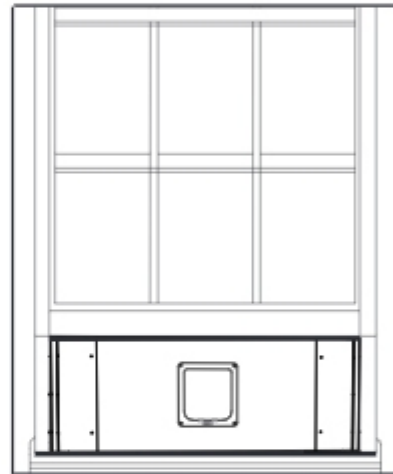


# ENTRY POINT

Option 1 - Window ready for Omlet Window Box.

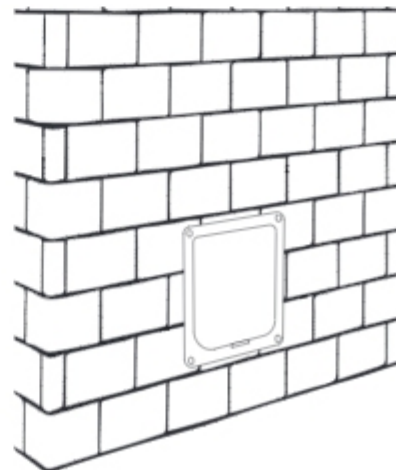


Option 2 - Omlet Window Board in sash window.



Compatible with straight Tunnel connection and Window Box.

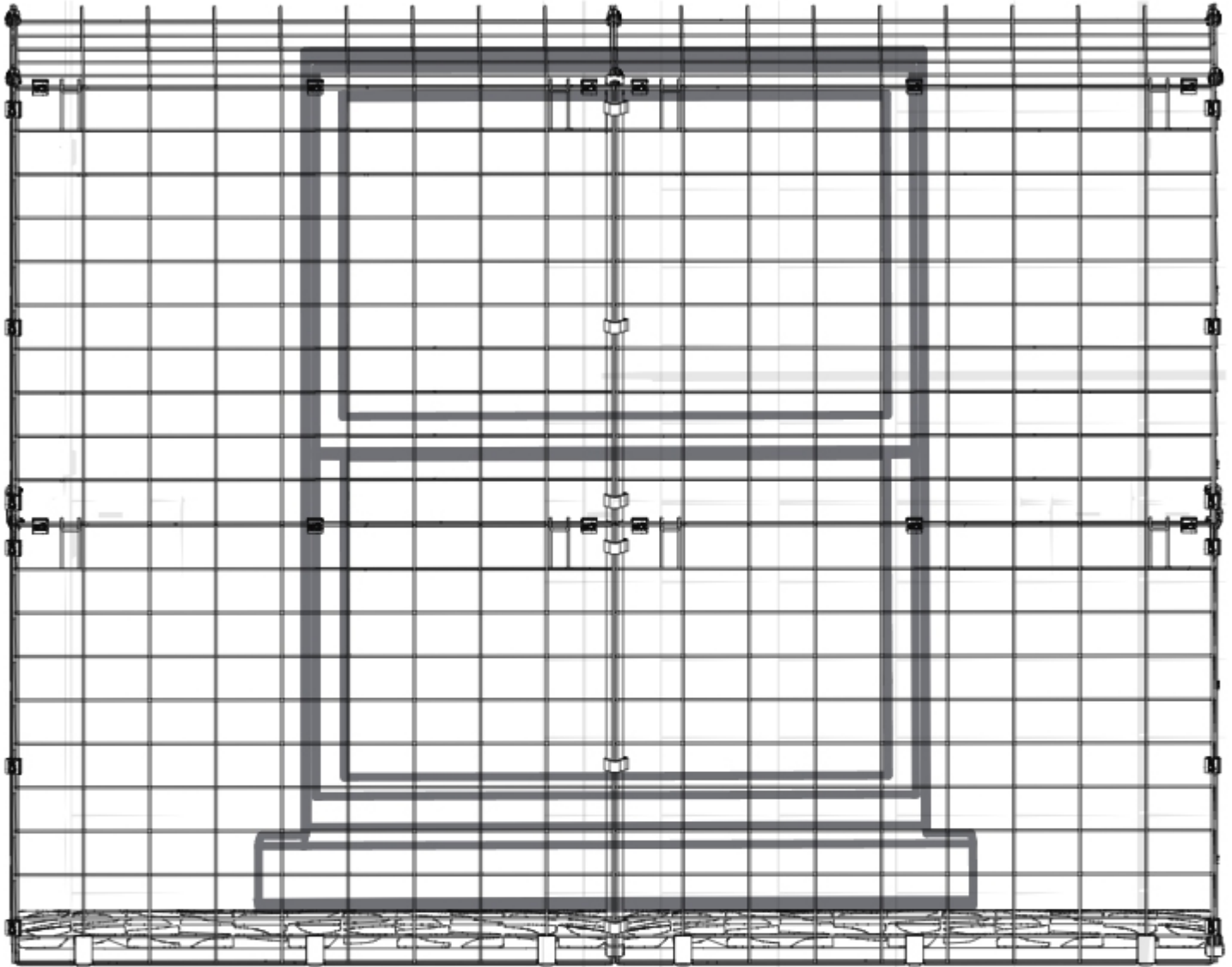
Option 3 - Your own cat door.



Compatible with straight Tunnel connection and Window Box.

# WINDOW BOX

## Wall Mounting

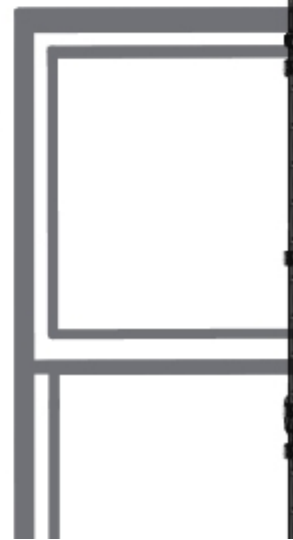
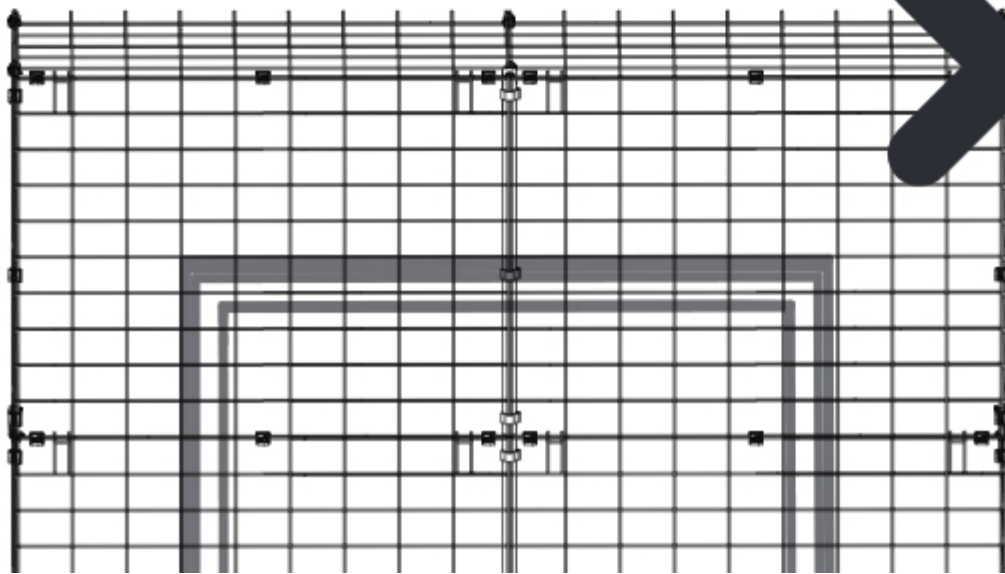
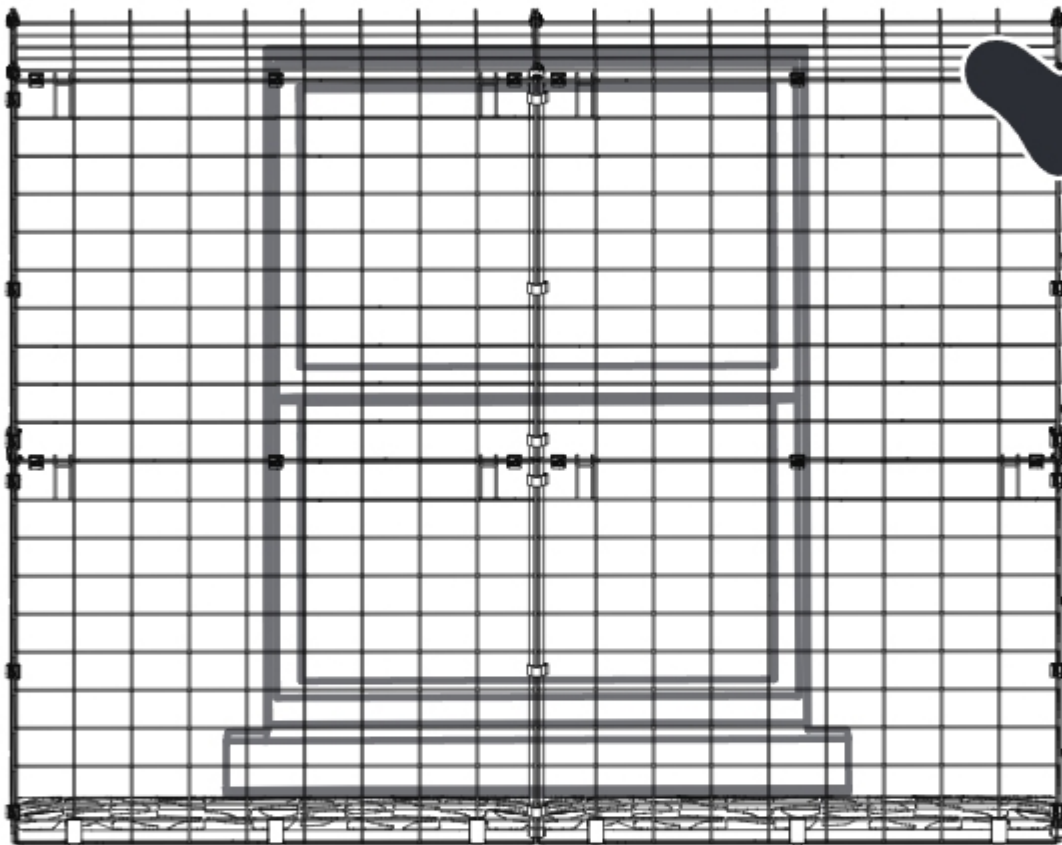


If you have chosen a window box follow the next steps.

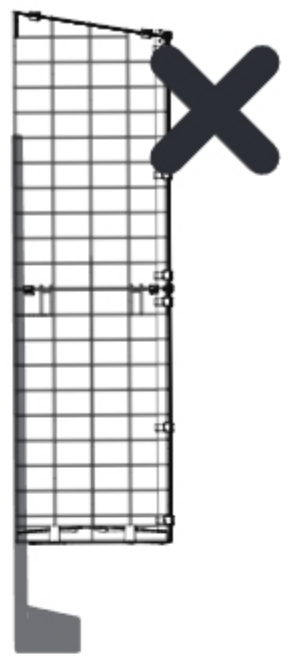
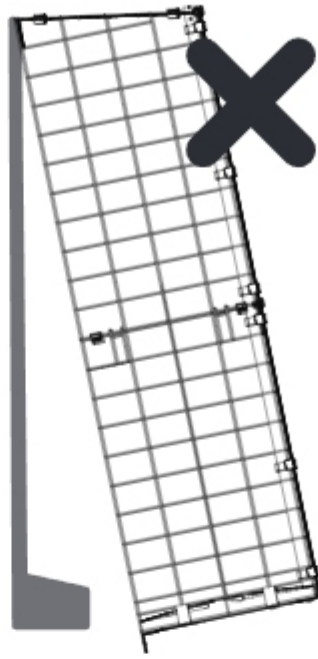
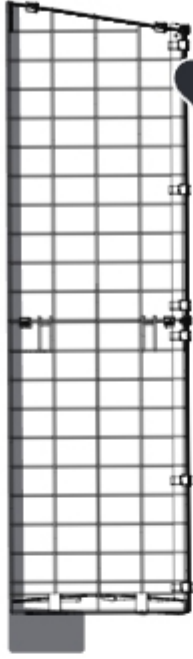
If you don't have Window Box skip to the walkway section of the manual on page 89.

# Window Box position guidance

Height/width positioning from a front view

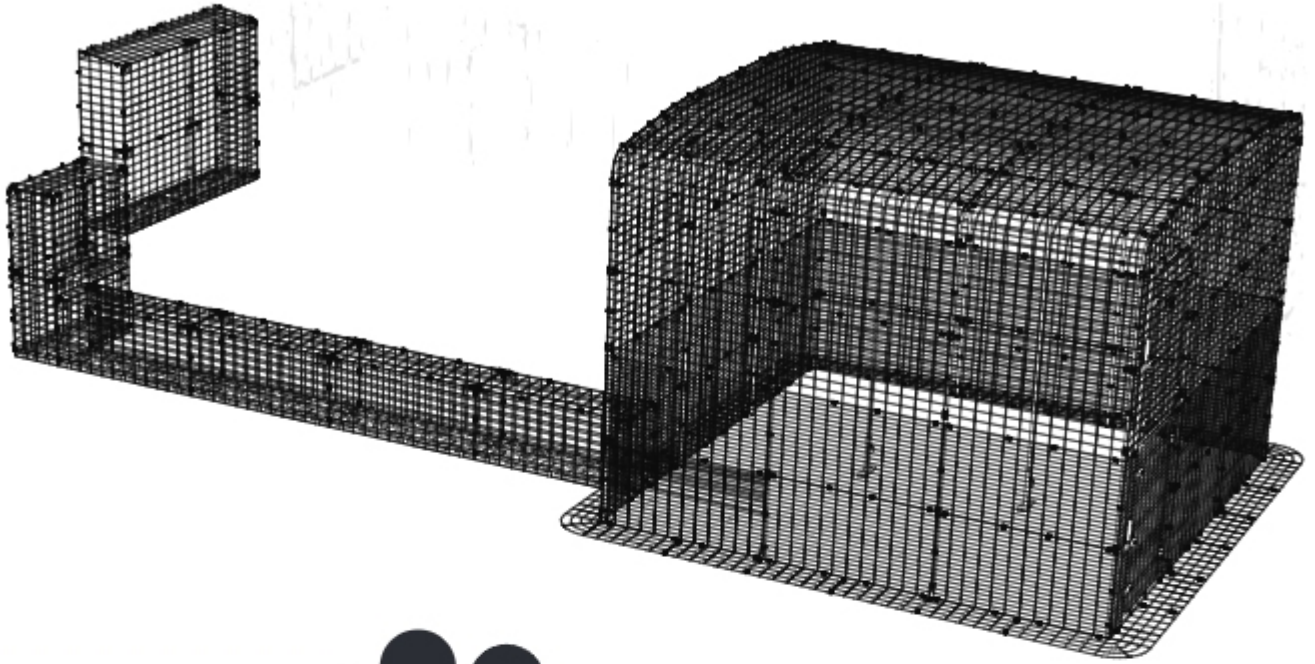


Base positioning from a side view

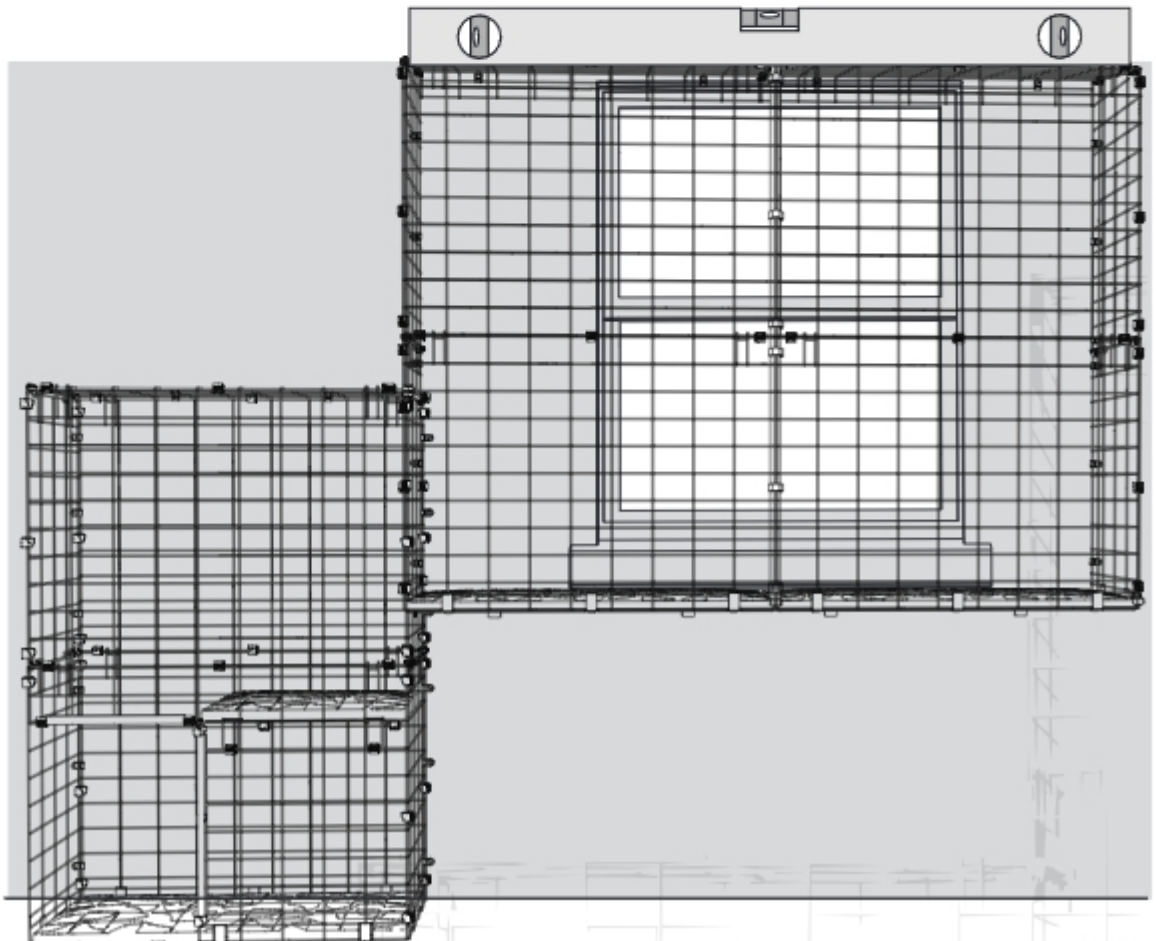




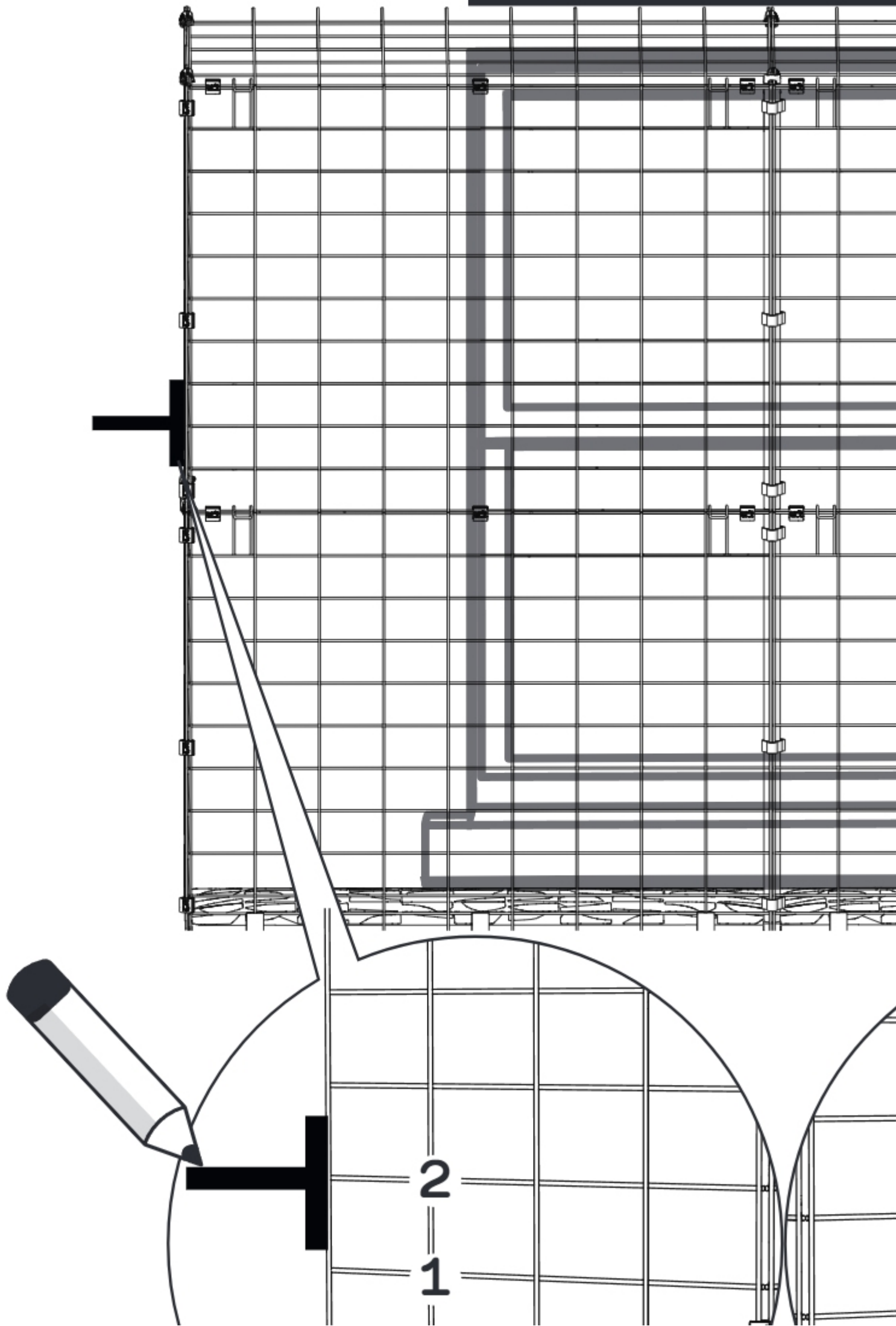
If you're connecting a Tower to your Window Box going down to floor level, use the tower to help line up the height of your Window Box.

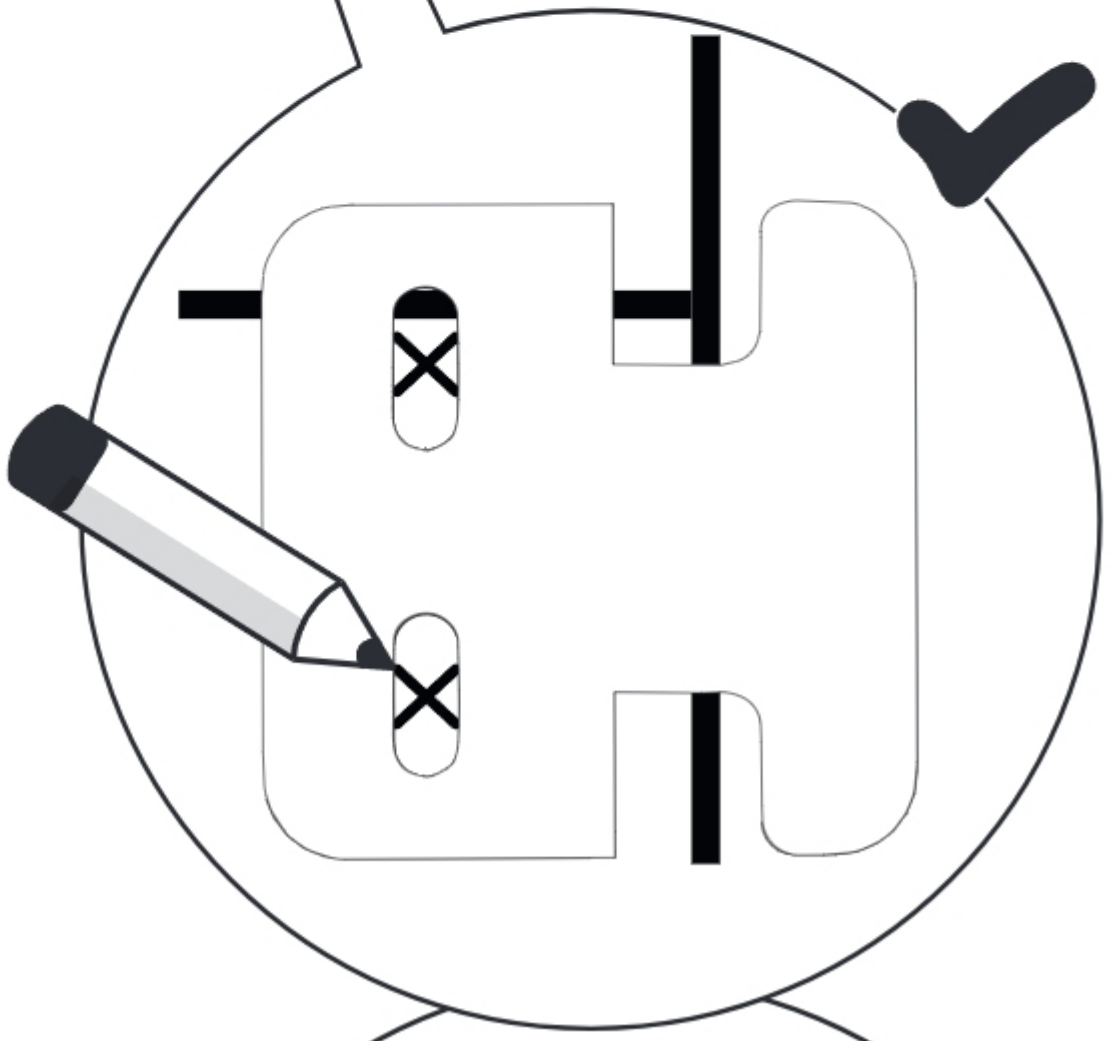
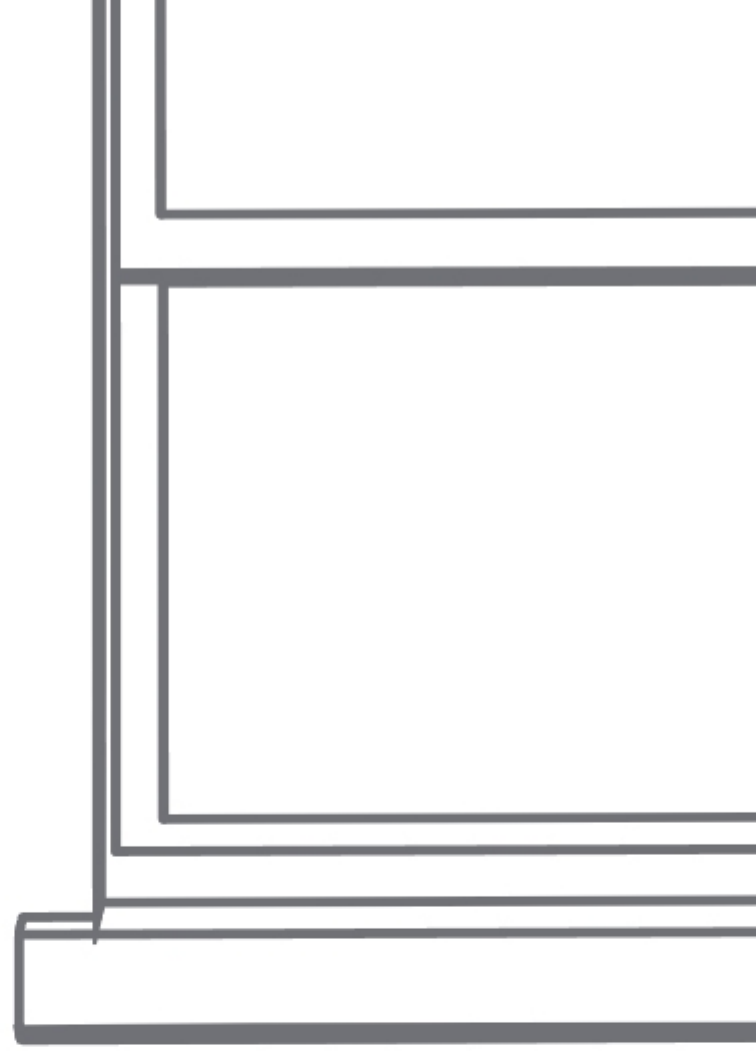
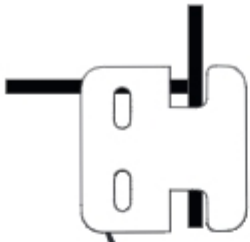


Support weight.





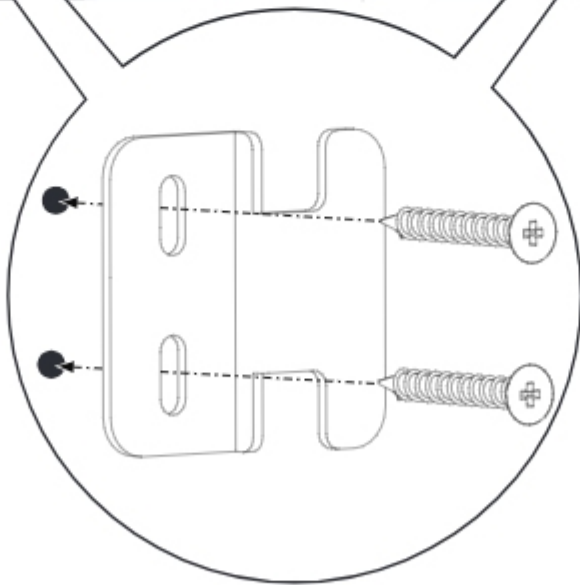
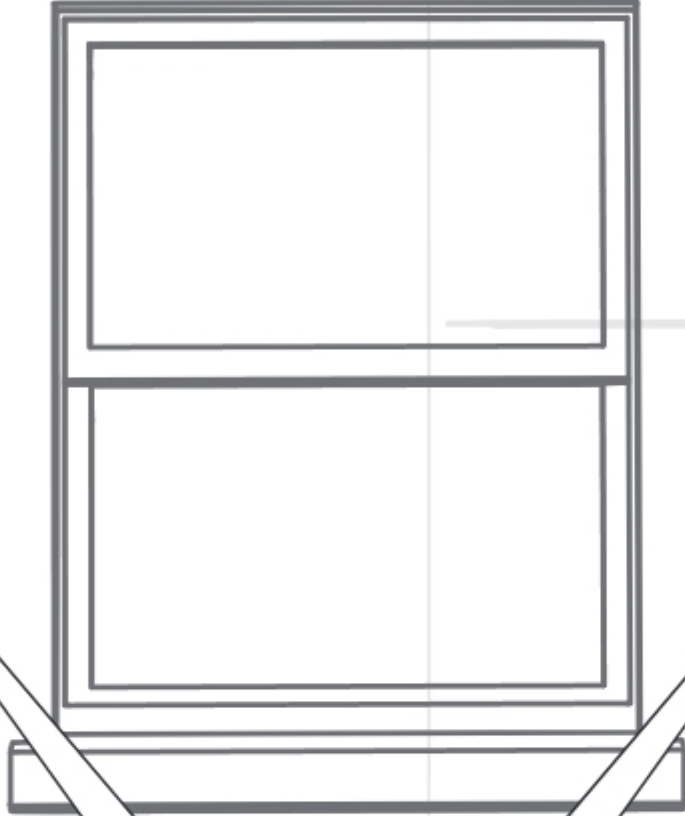




3



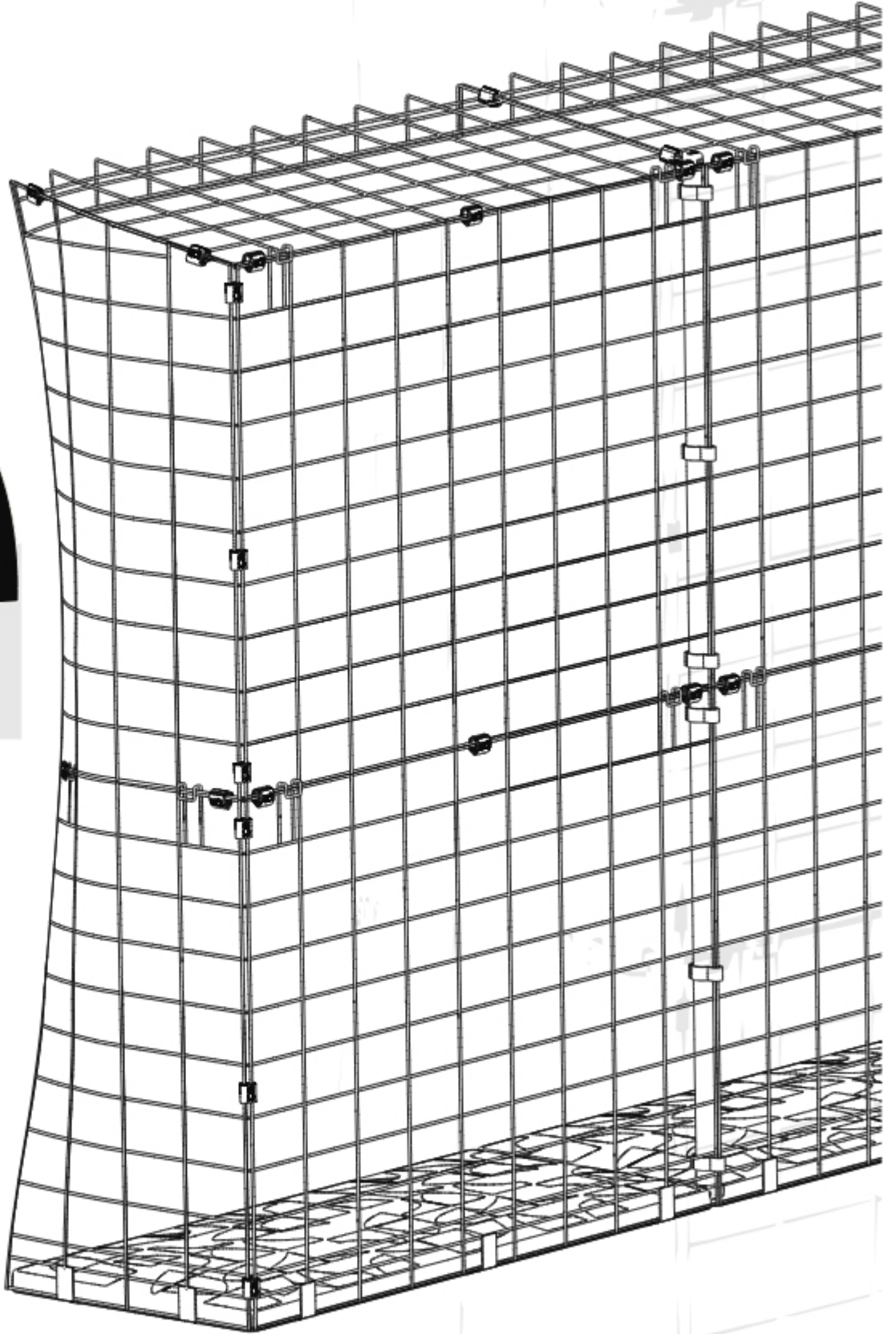
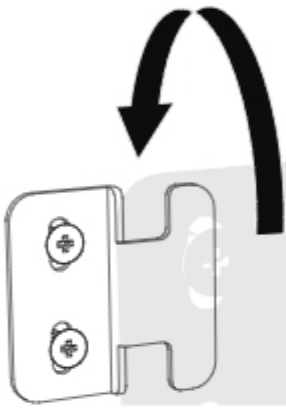
Optional



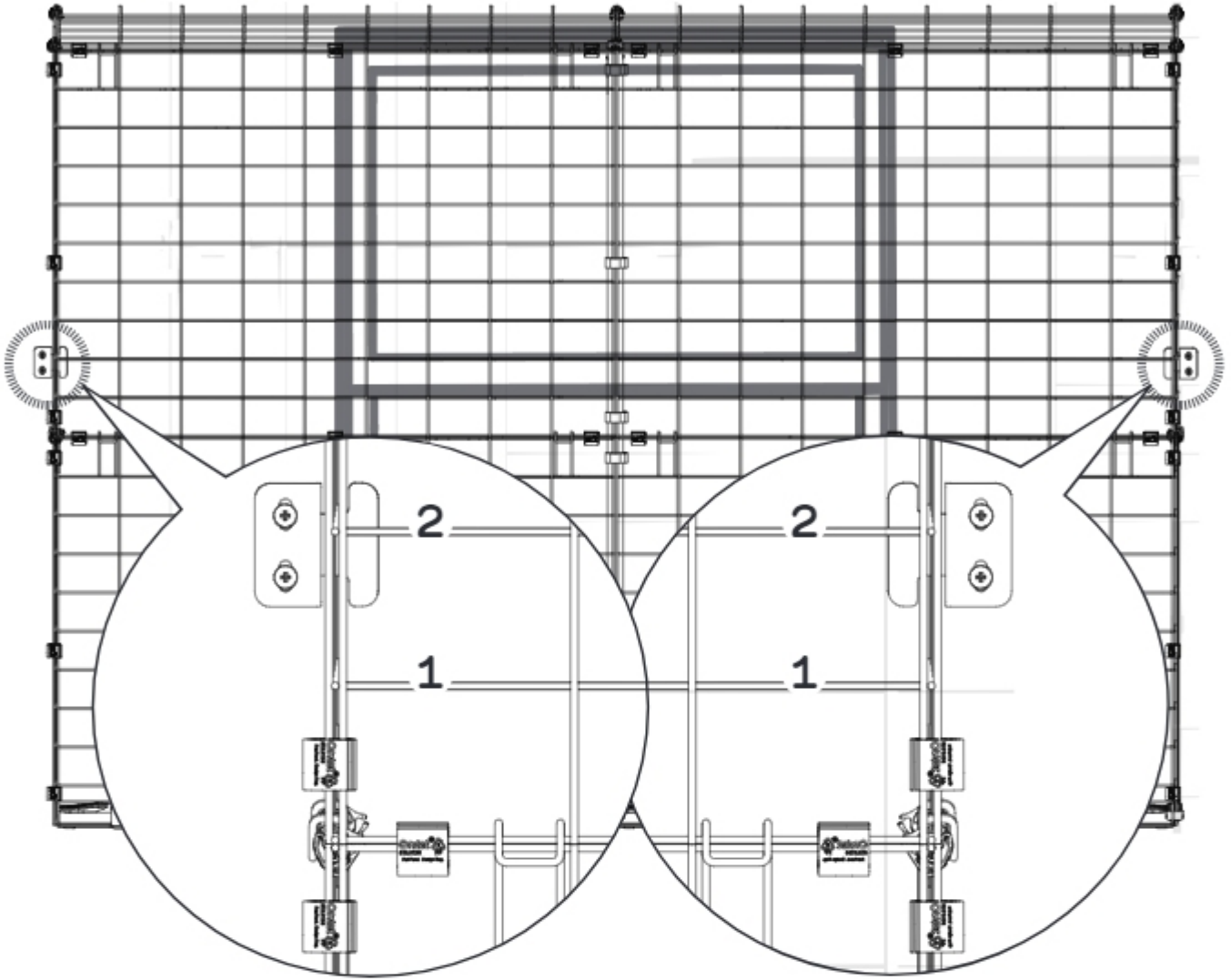


Bend mesh inwards at both sides when hooking your Window Box onto the mesh hanging brackets.

4



5



6

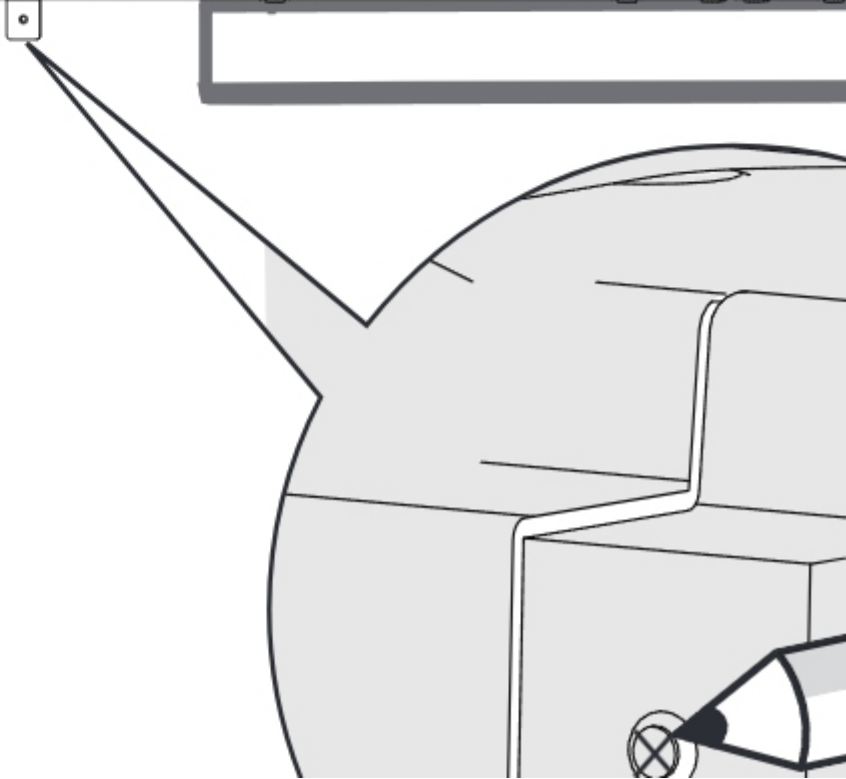
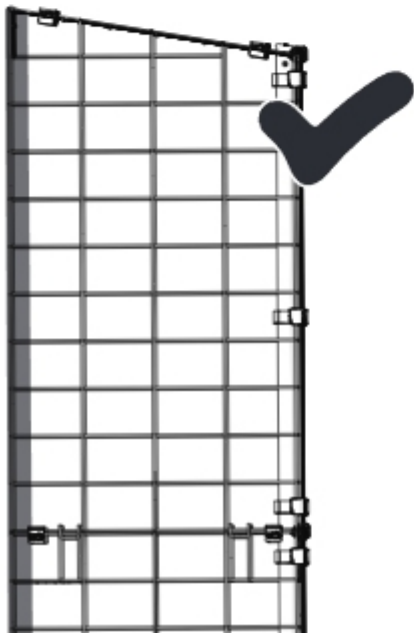
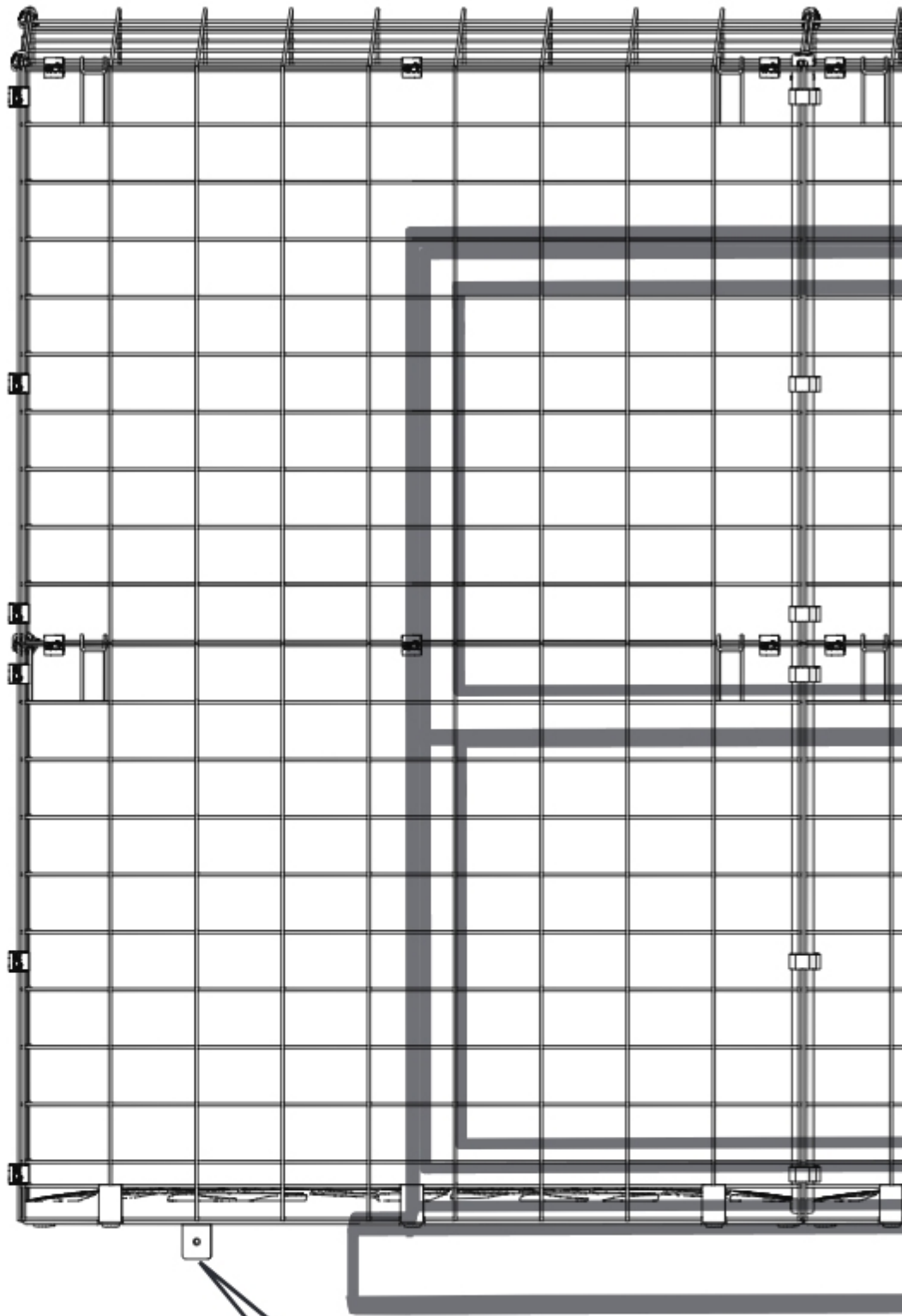


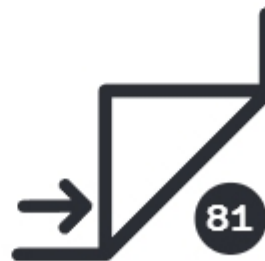
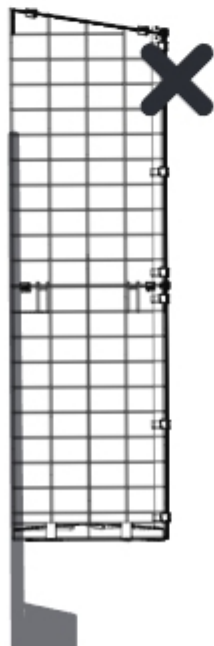
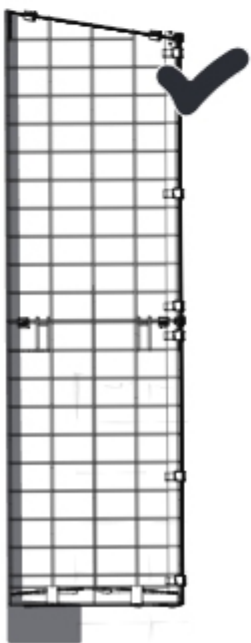
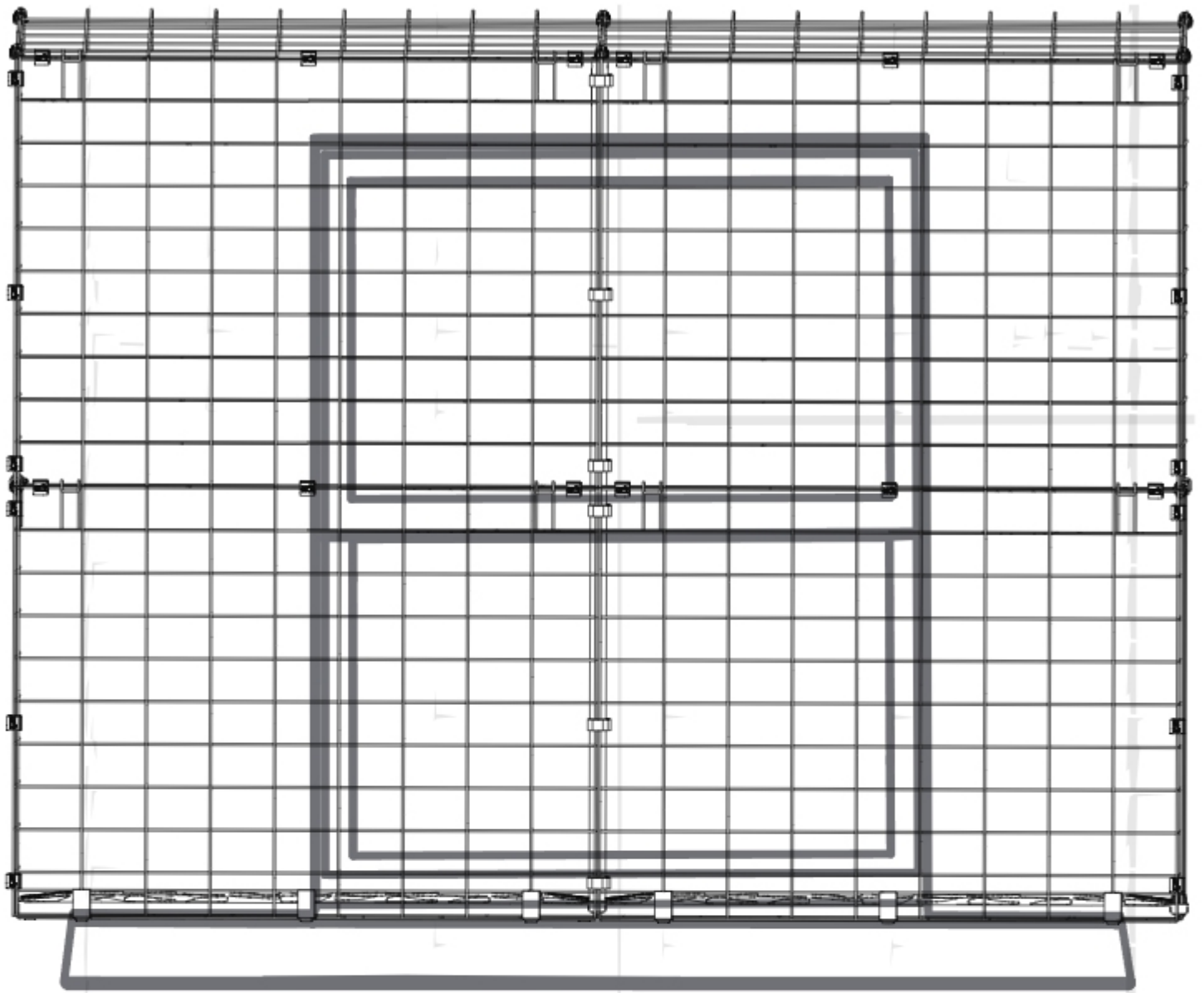
096.1102

Depending on your Window Box location, attach the brackets as shown in Option 1, 2 or 3 on the following pages.



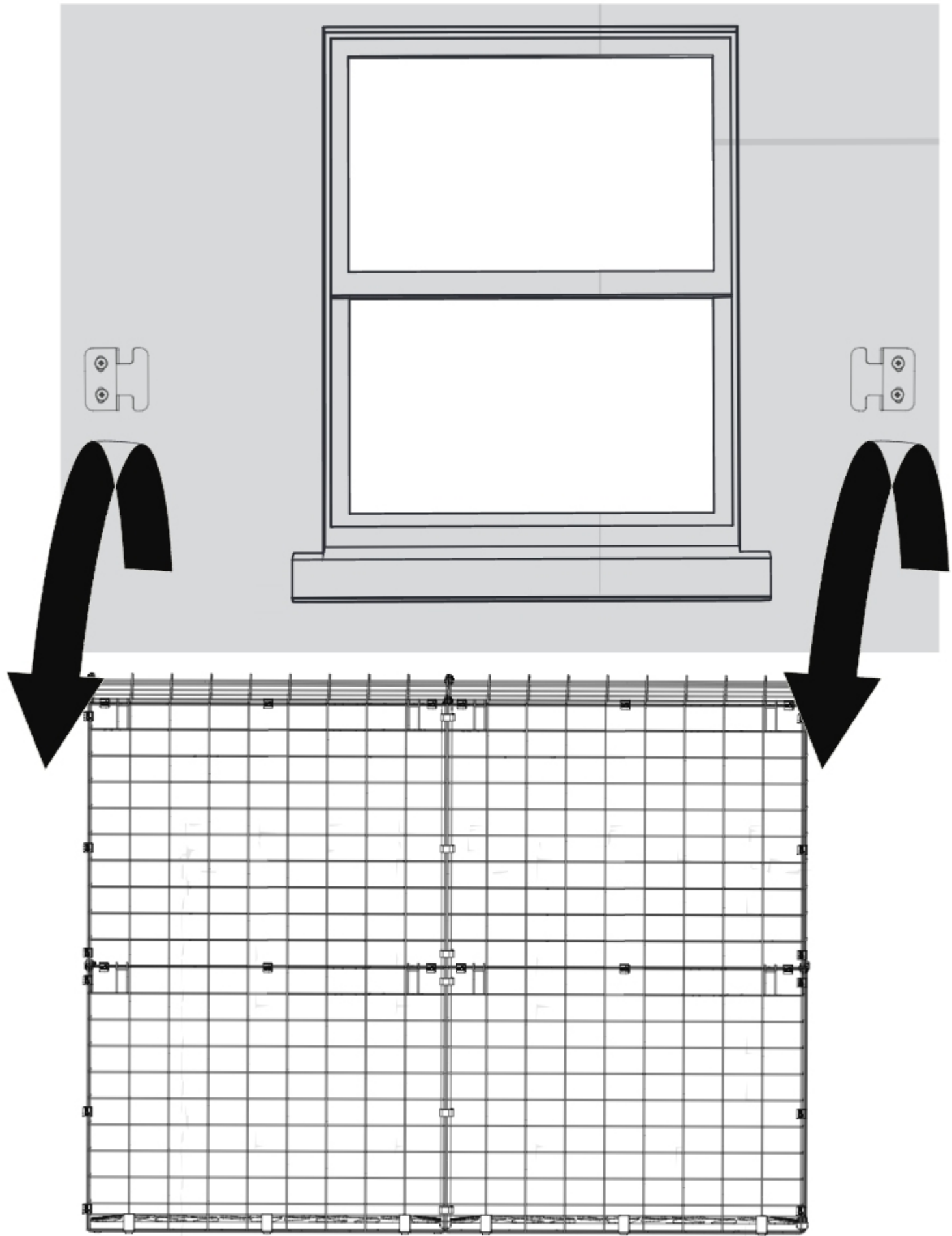




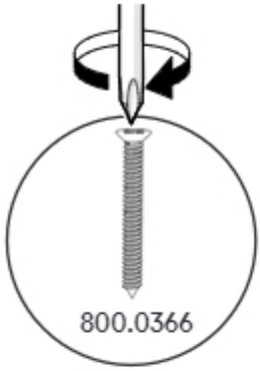




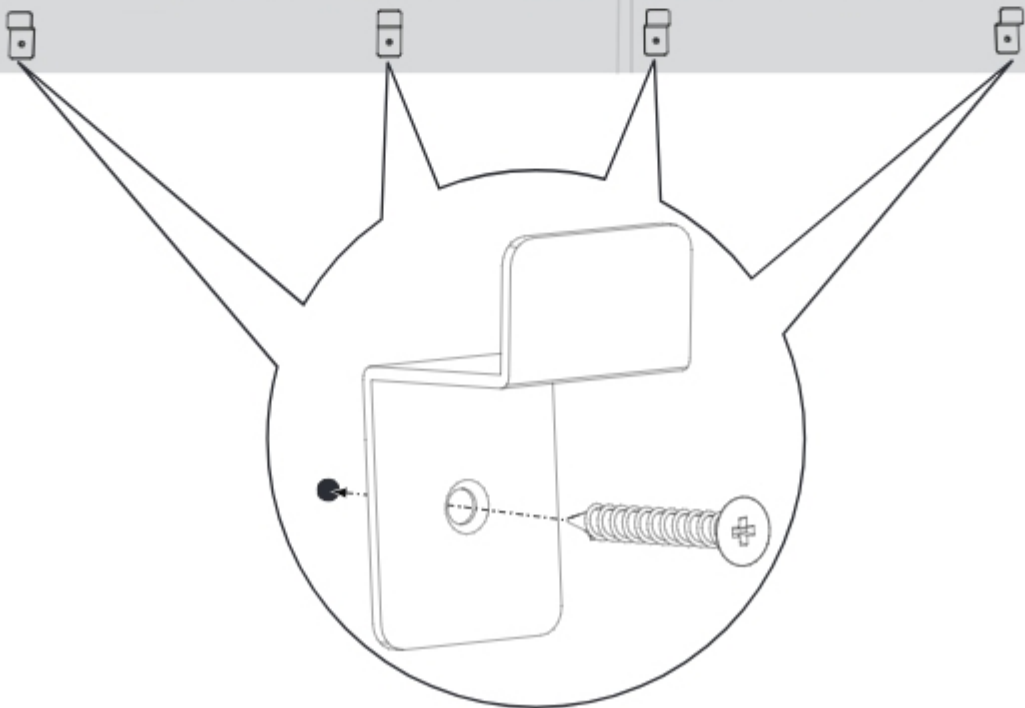
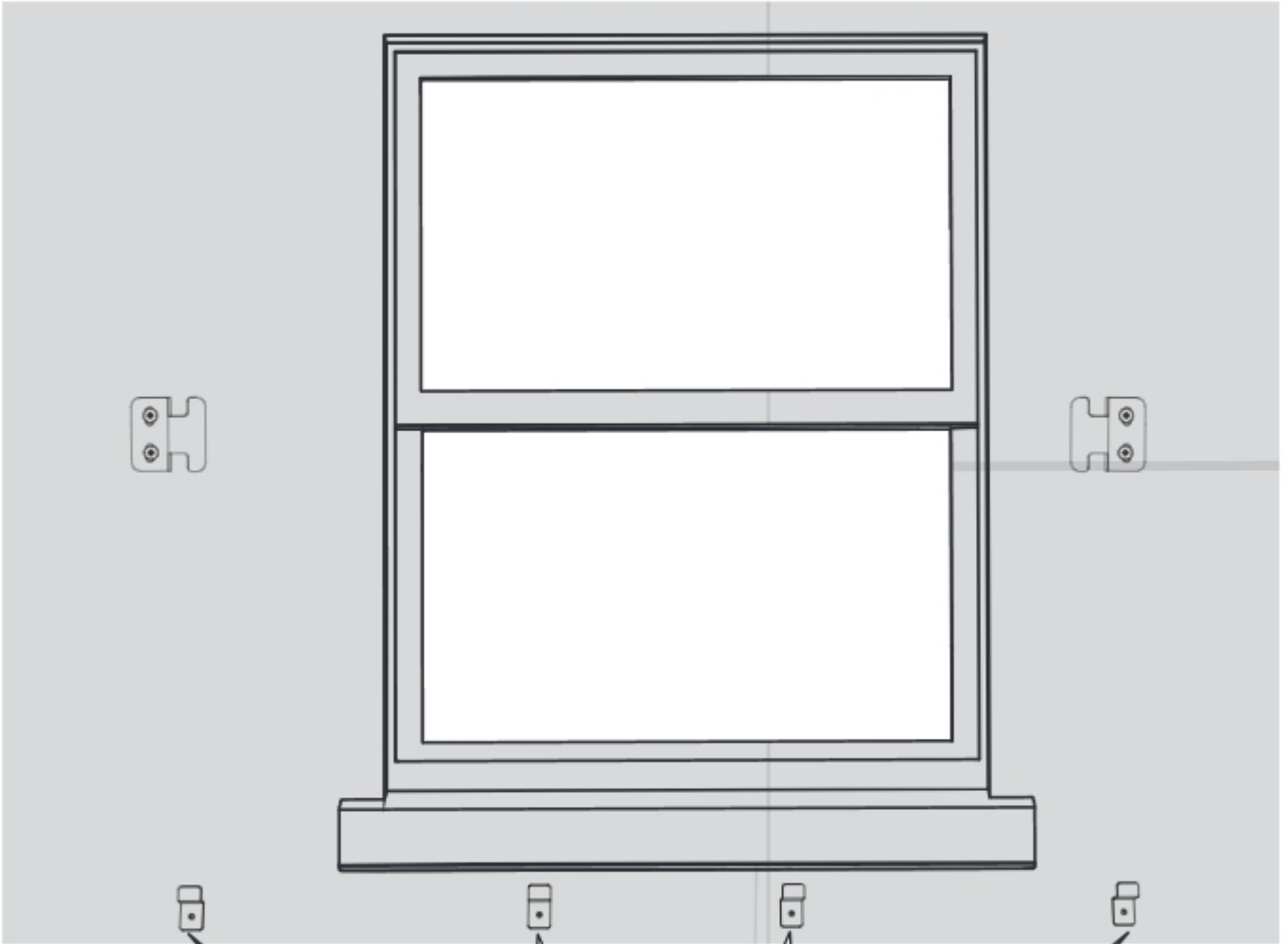
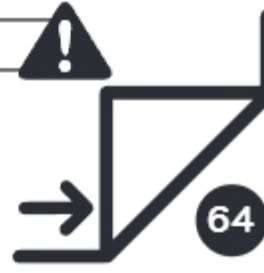
7



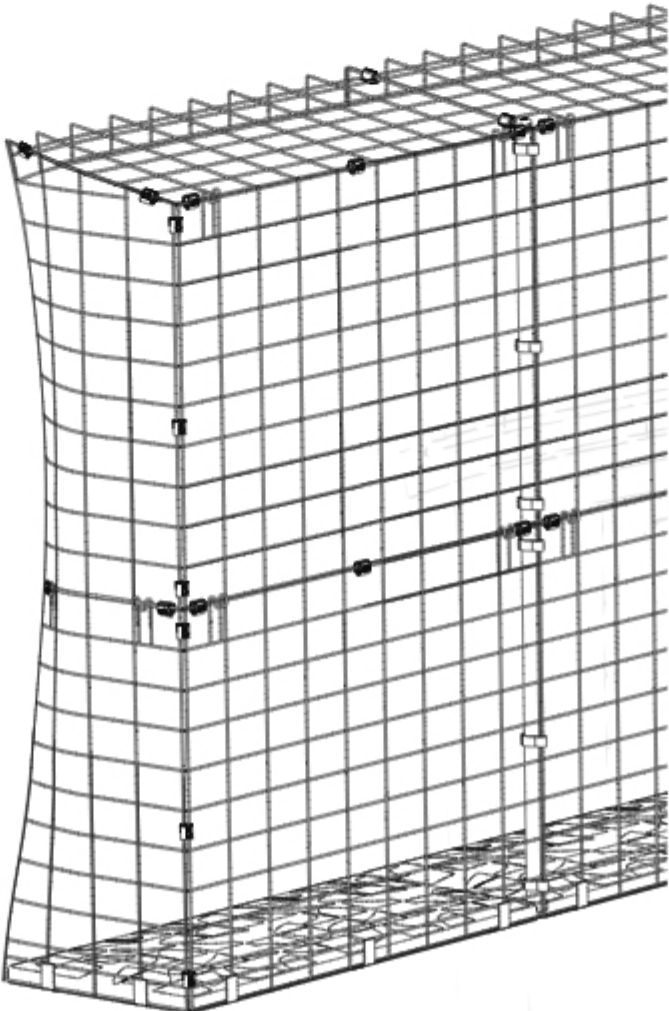
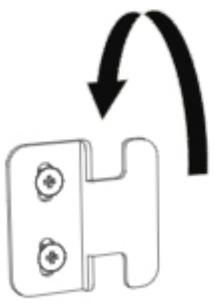
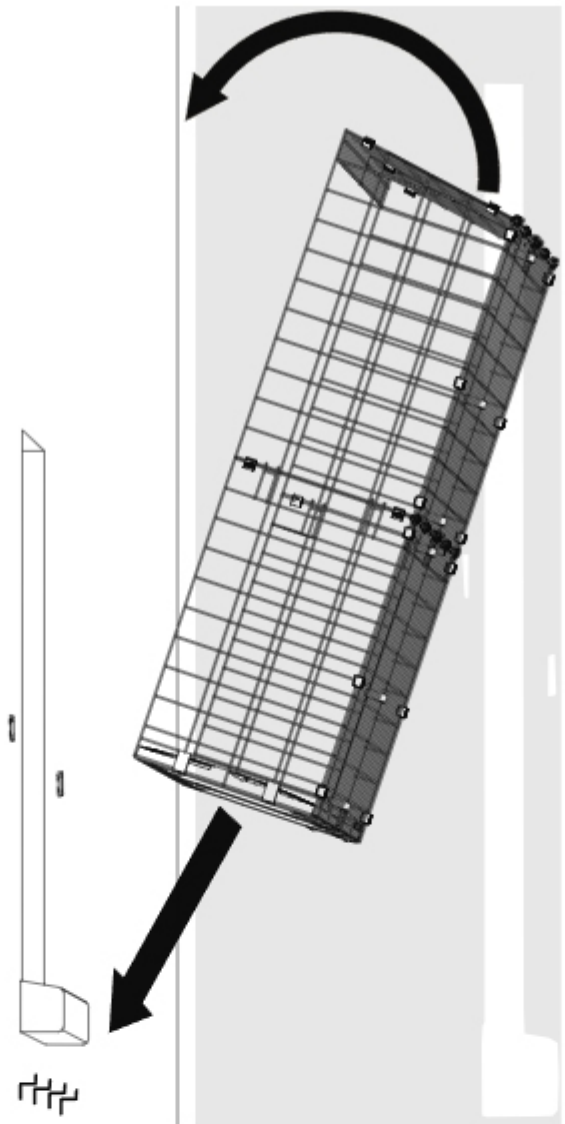
8

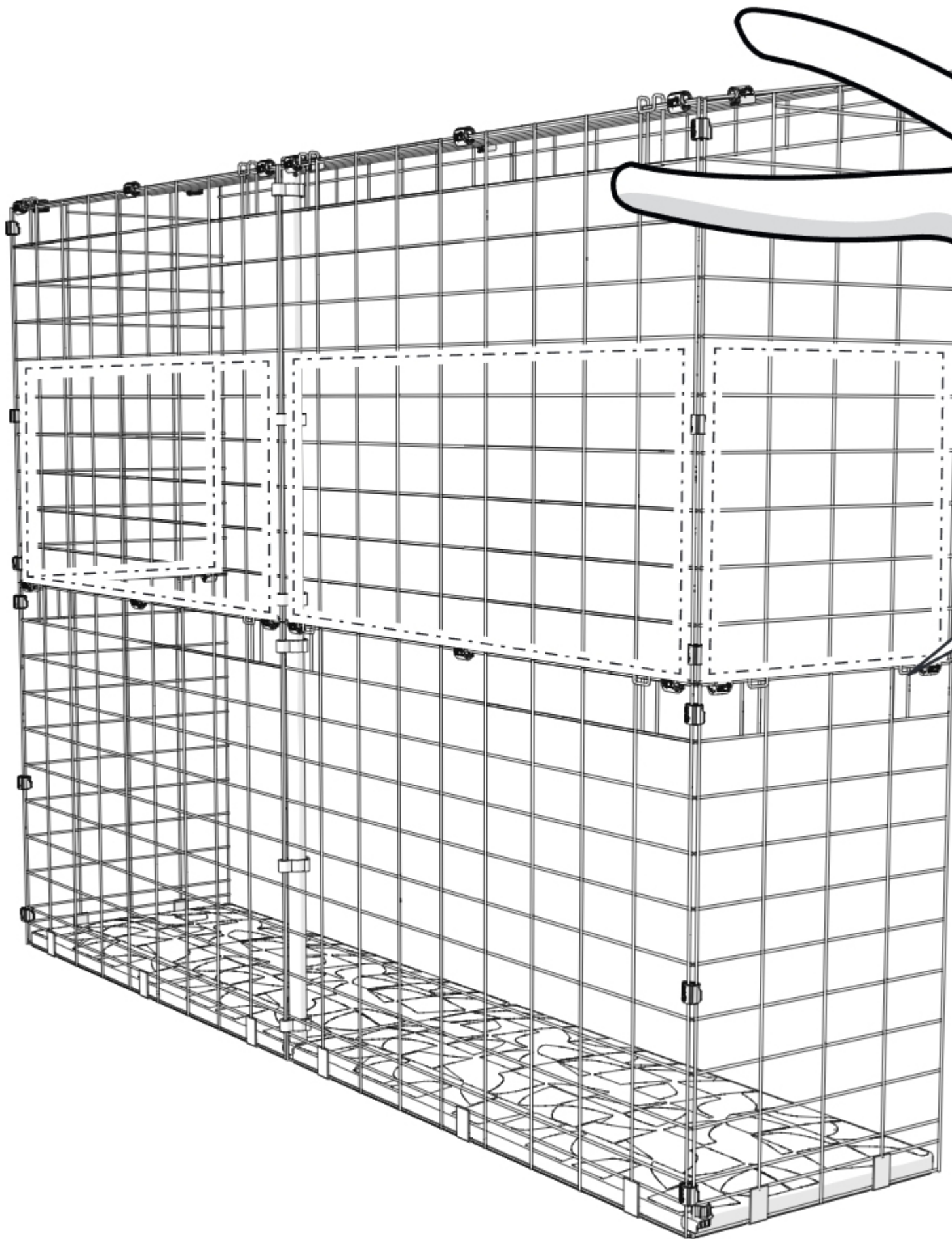


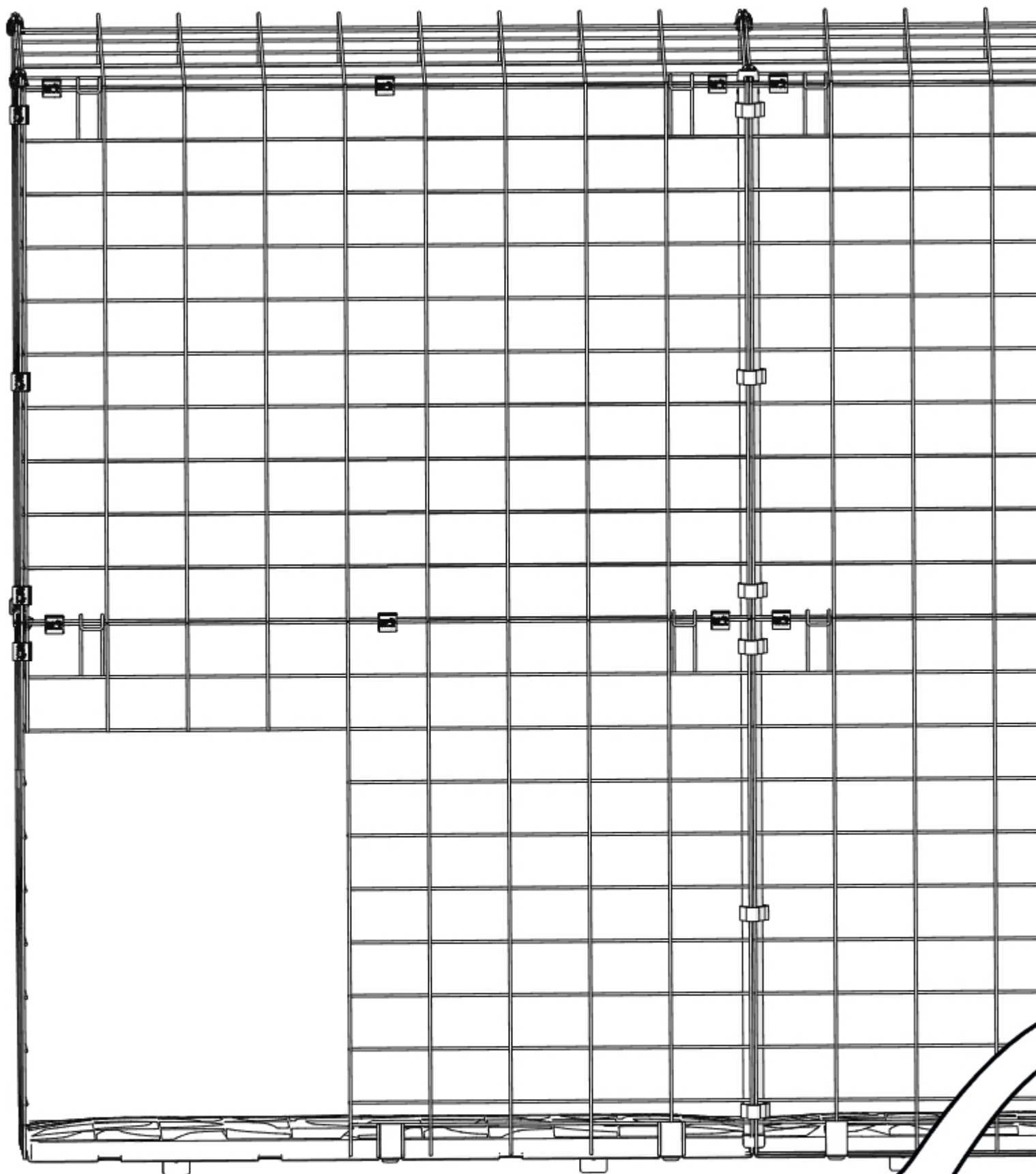
Optional



9

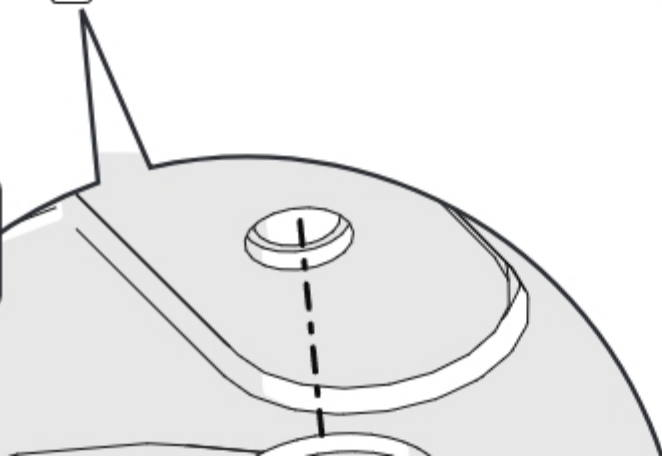




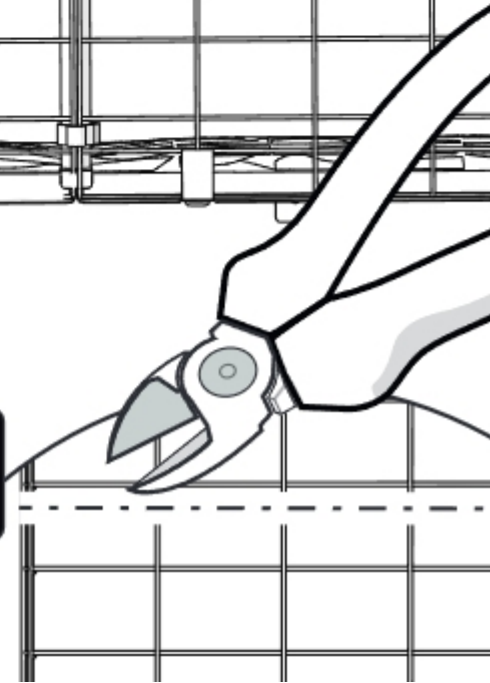


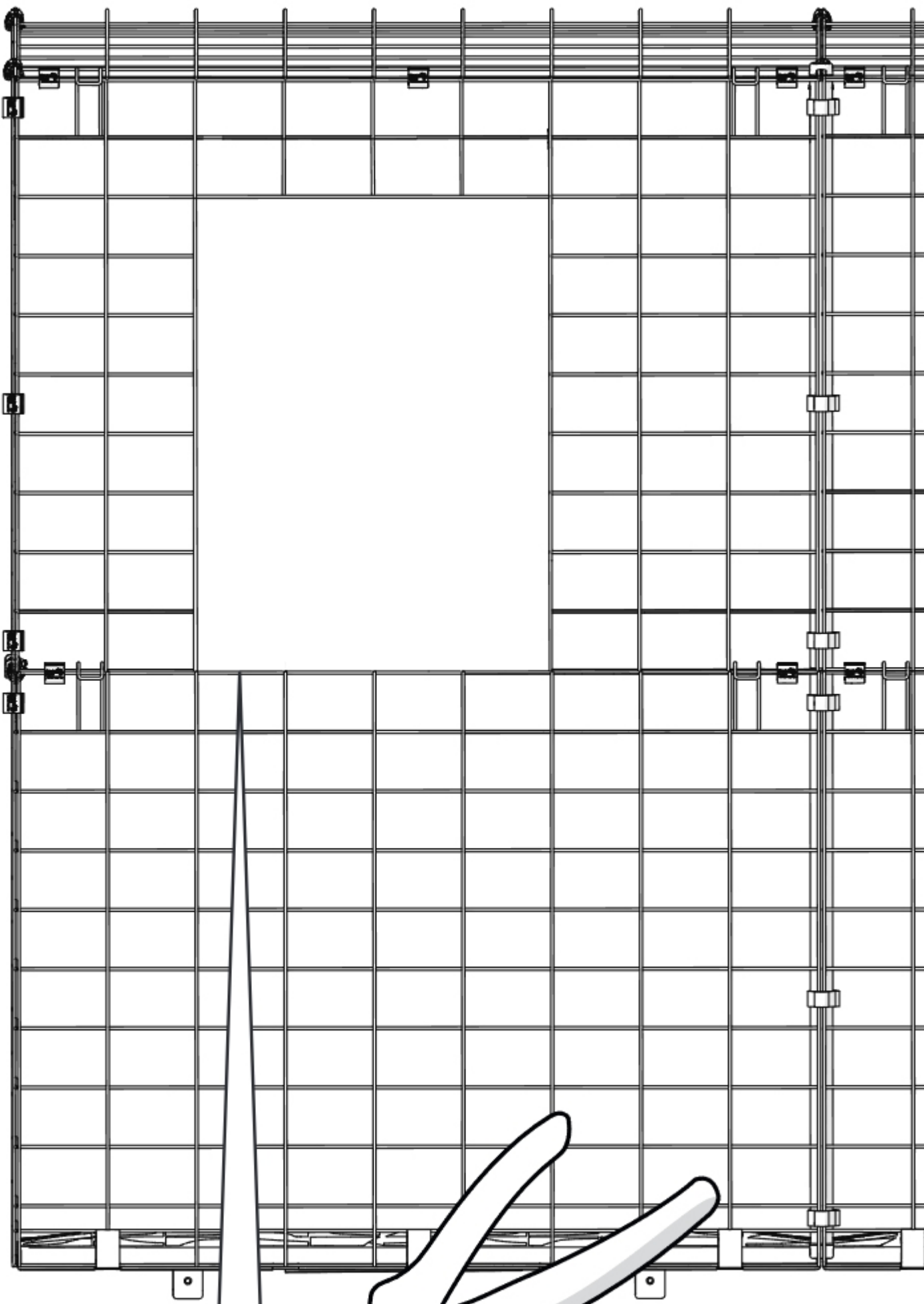
**A**

X1



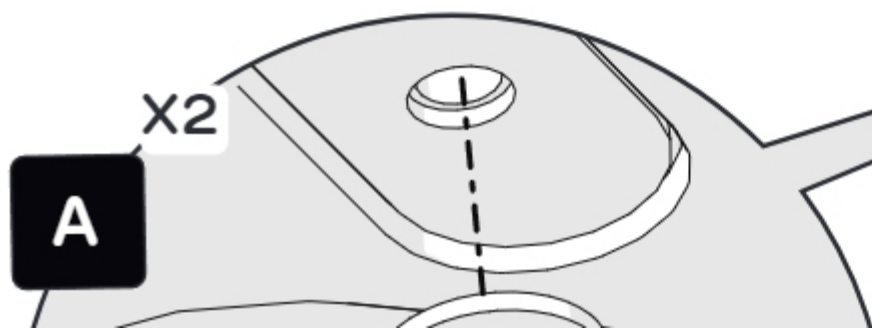
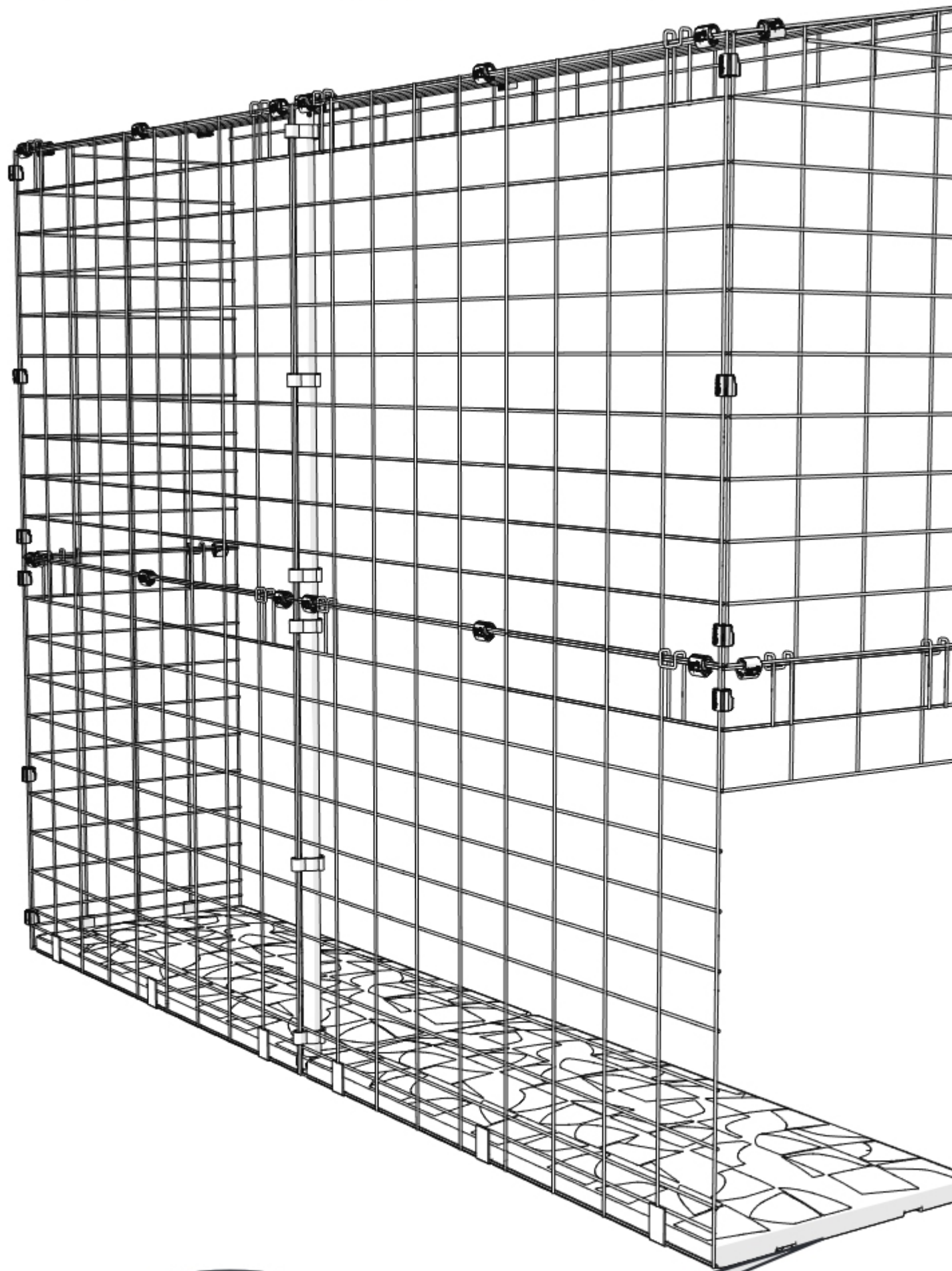
**B**

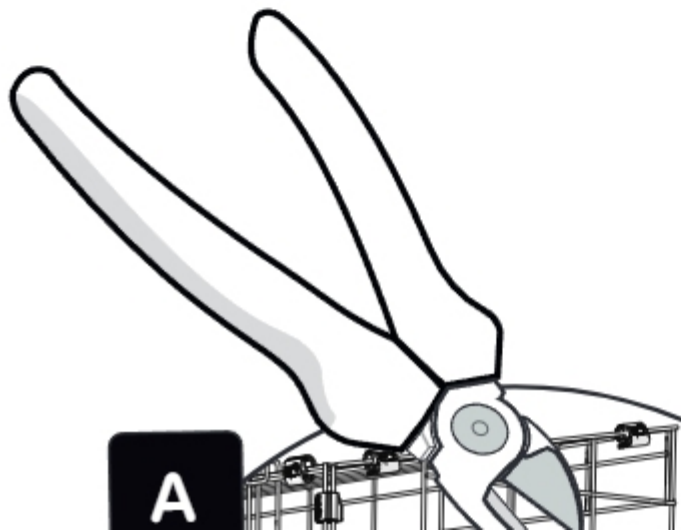
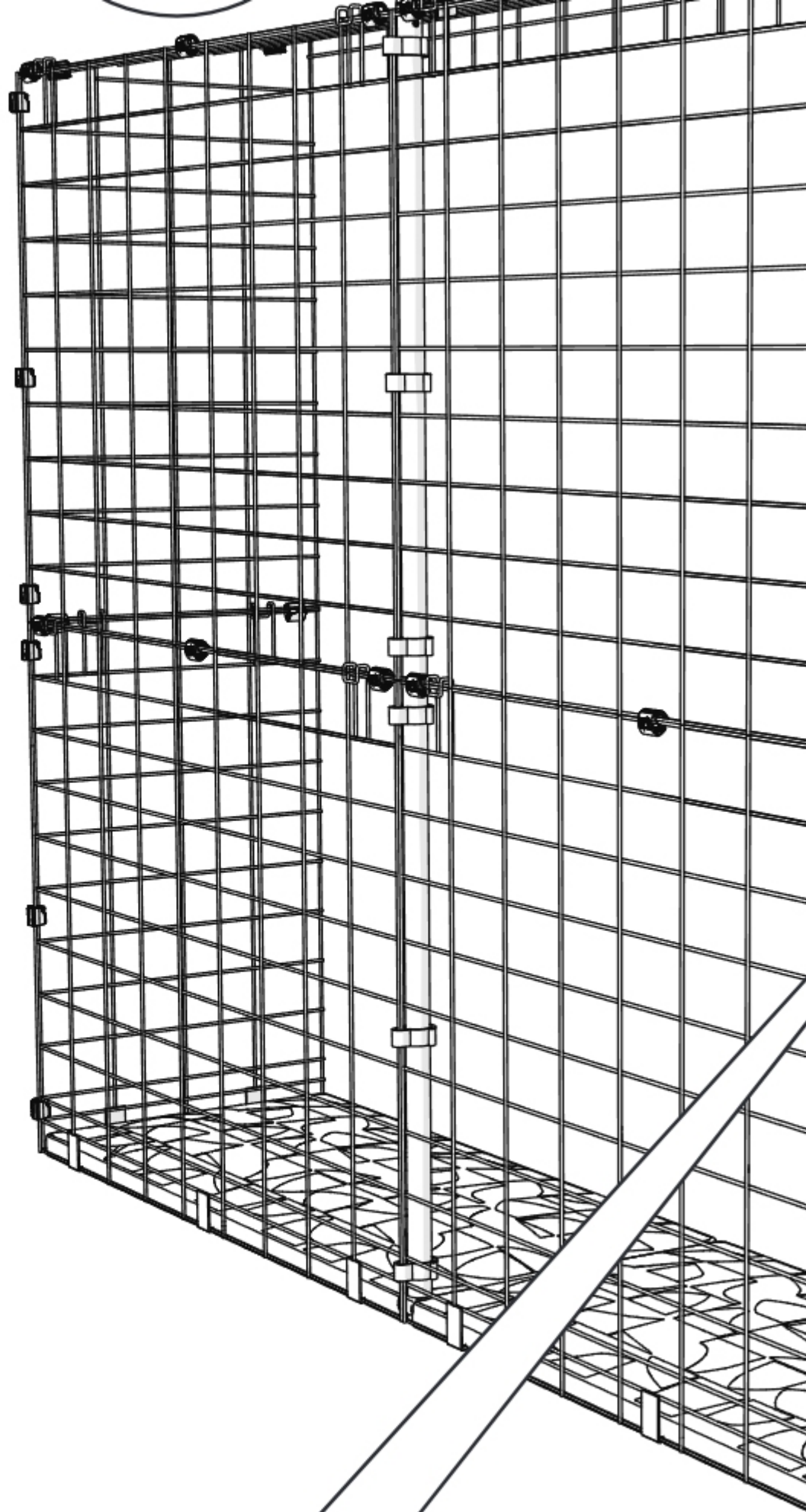




**A**

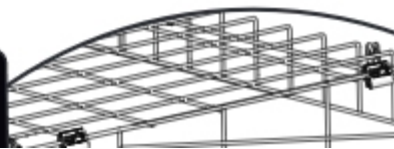
**B**





**A**

**B**







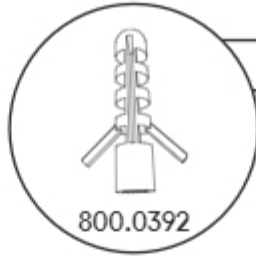
Please add wall mounting clips where required for extra support.



800.1045



800.0366

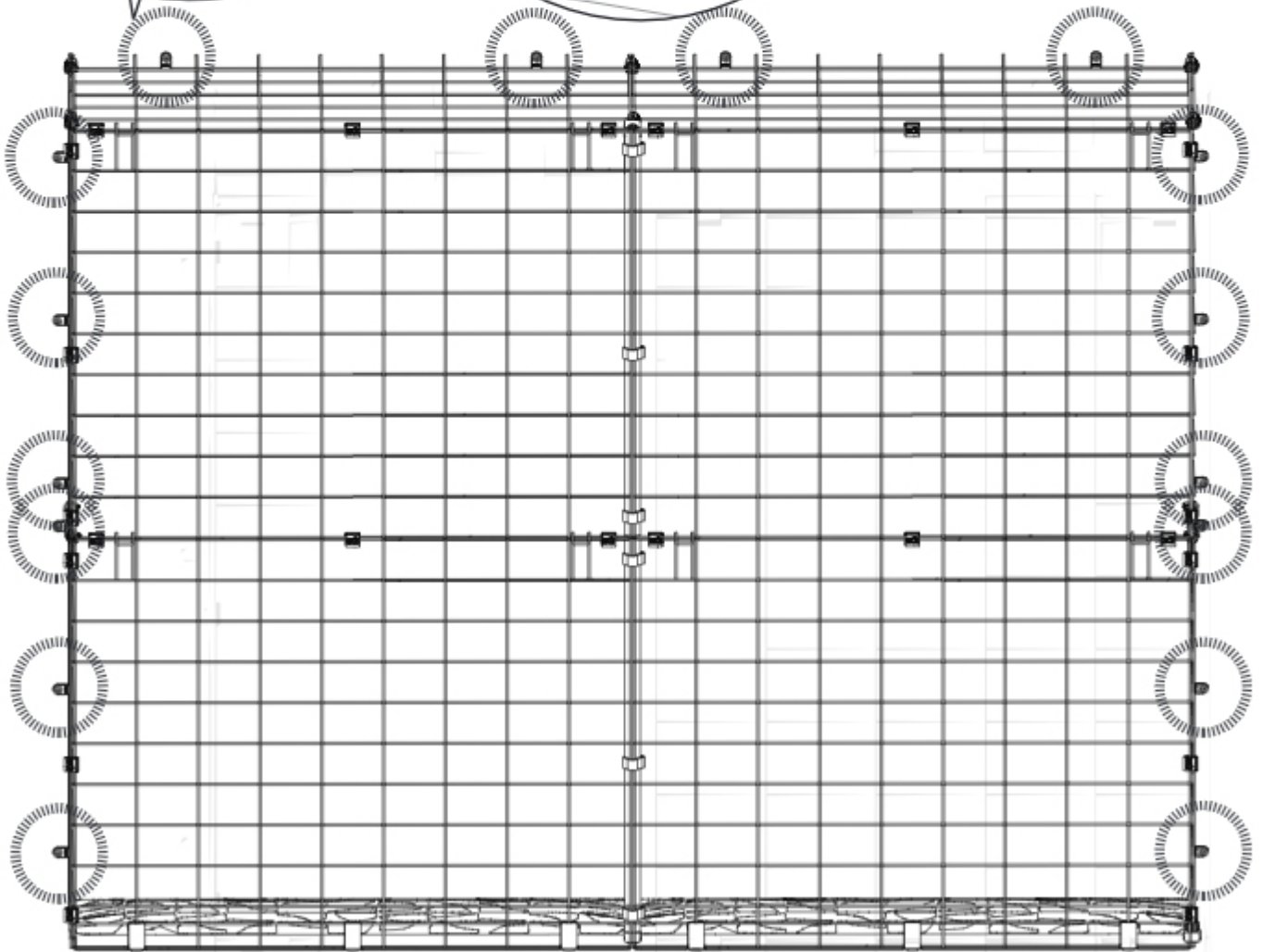
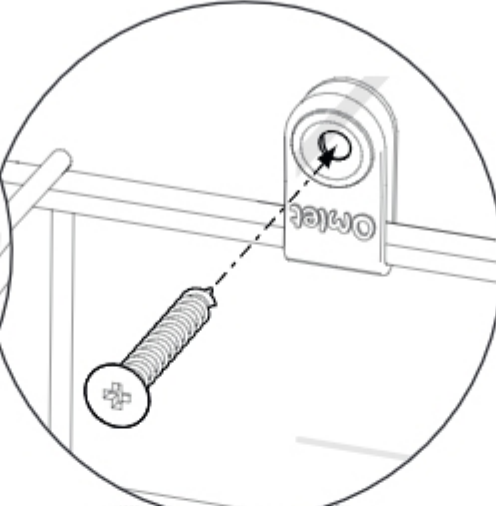
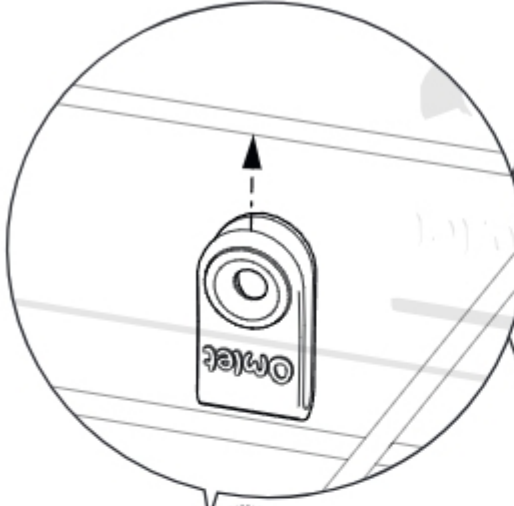


800.0392

Optional



64



# WALKWAY

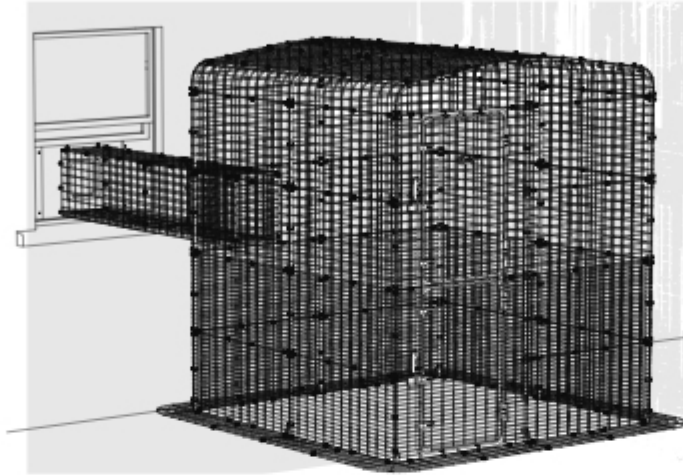


Now that you have your entry point fixed to your home, you will need set up your Walkway.

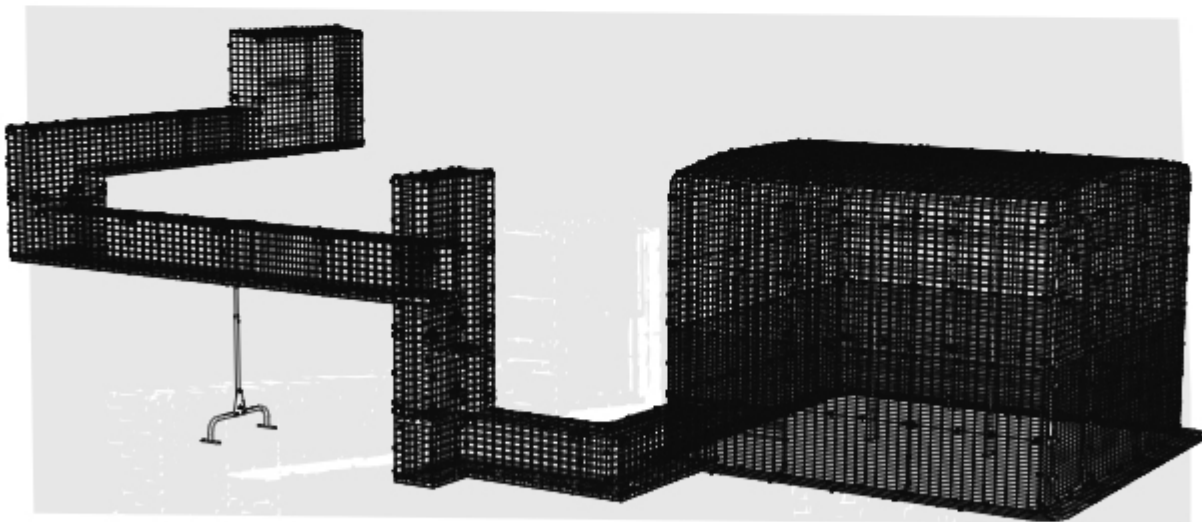


We have provided 2 examples that show you how to create any system, please review both examples to understand the assembly process for your own setup.

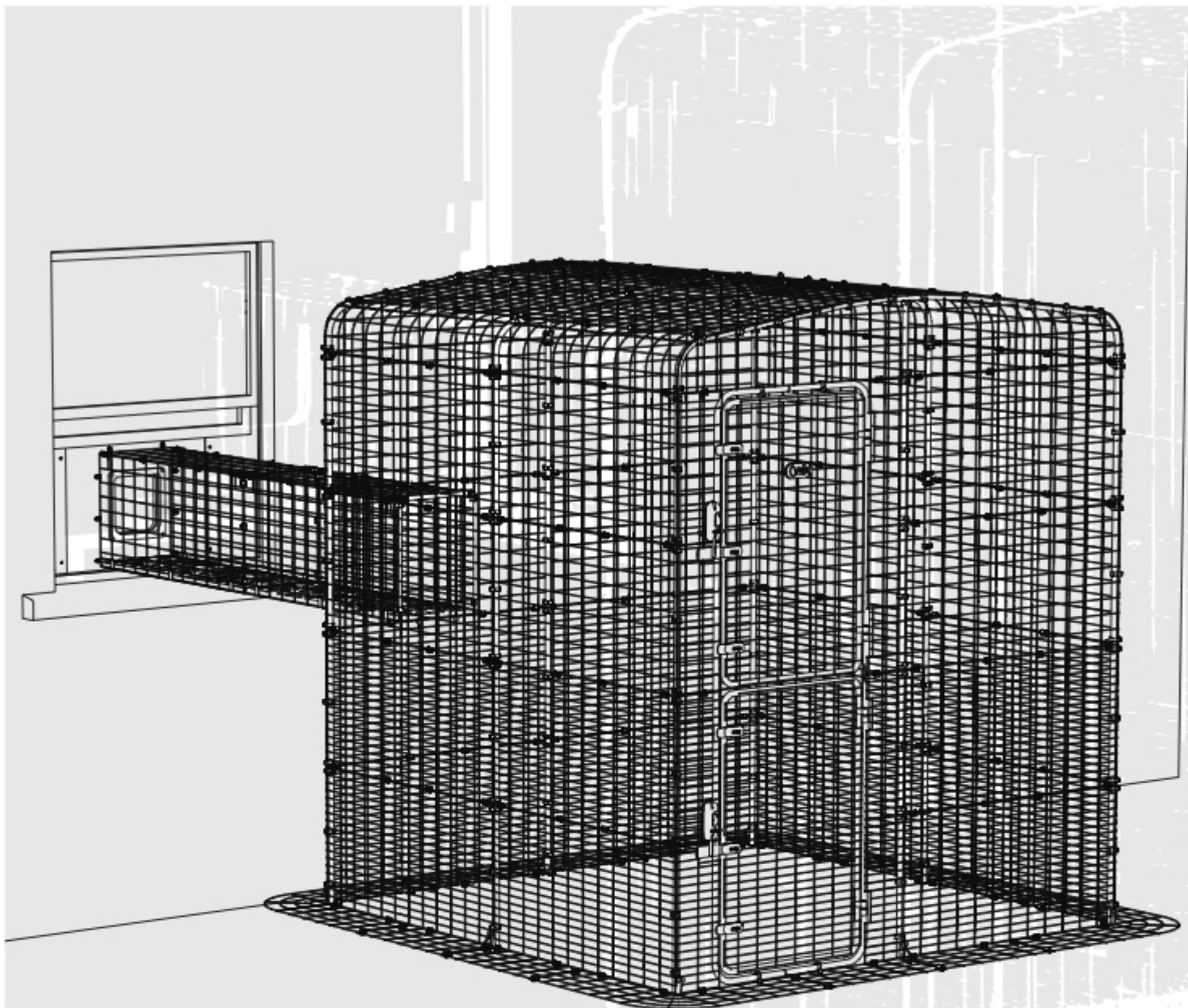
## Setup example 1



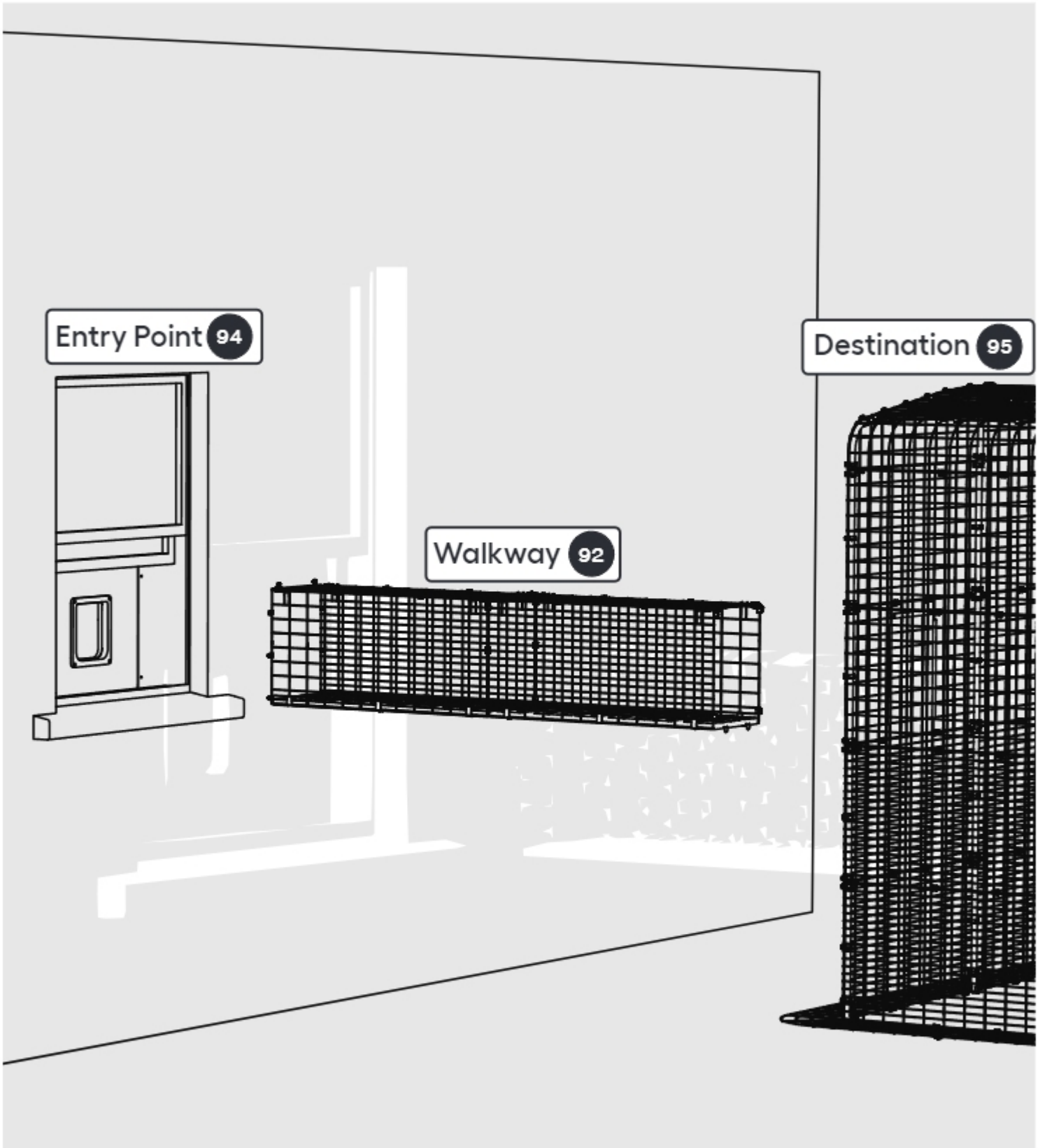
## Setup Example 2



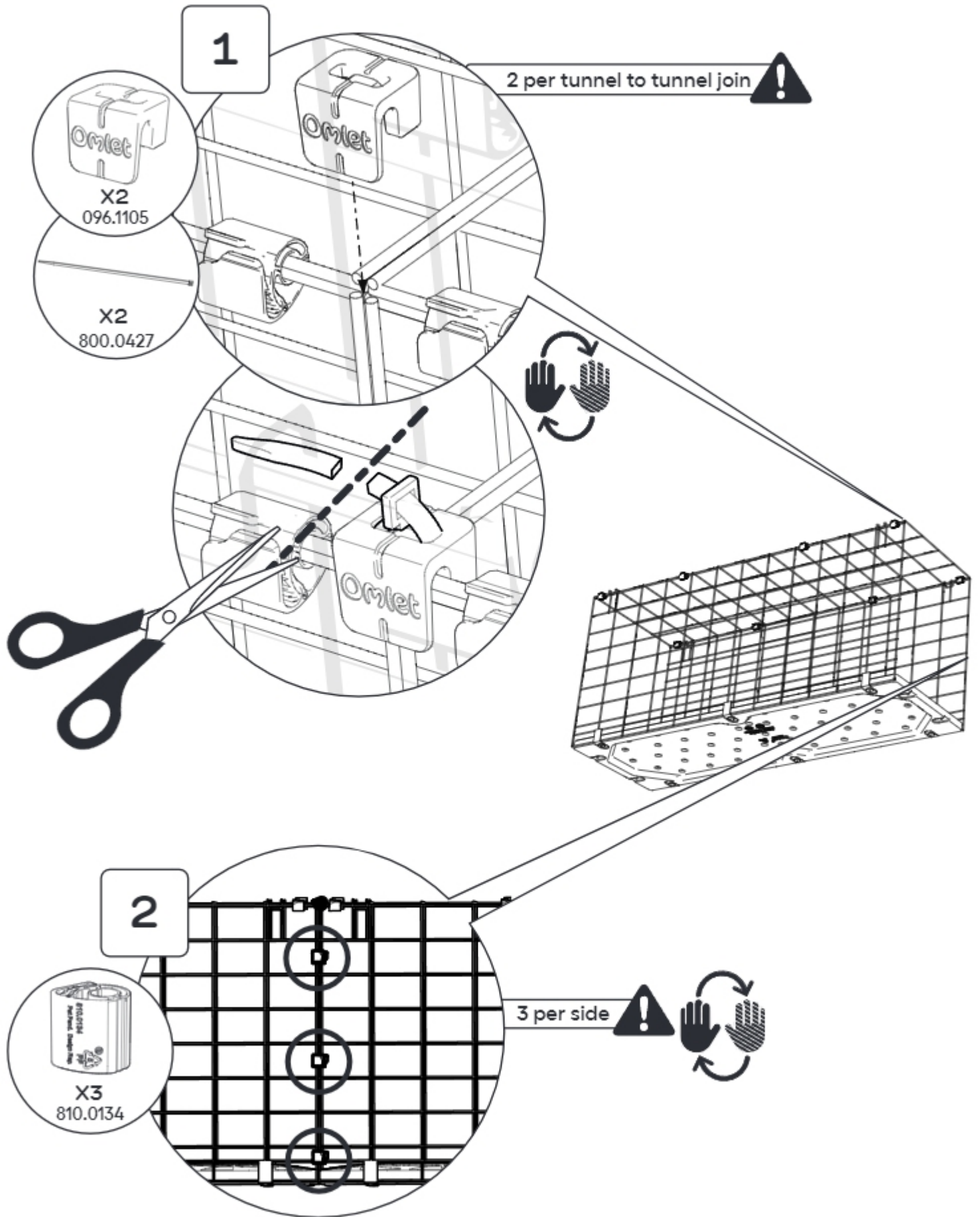
## Setup example 1

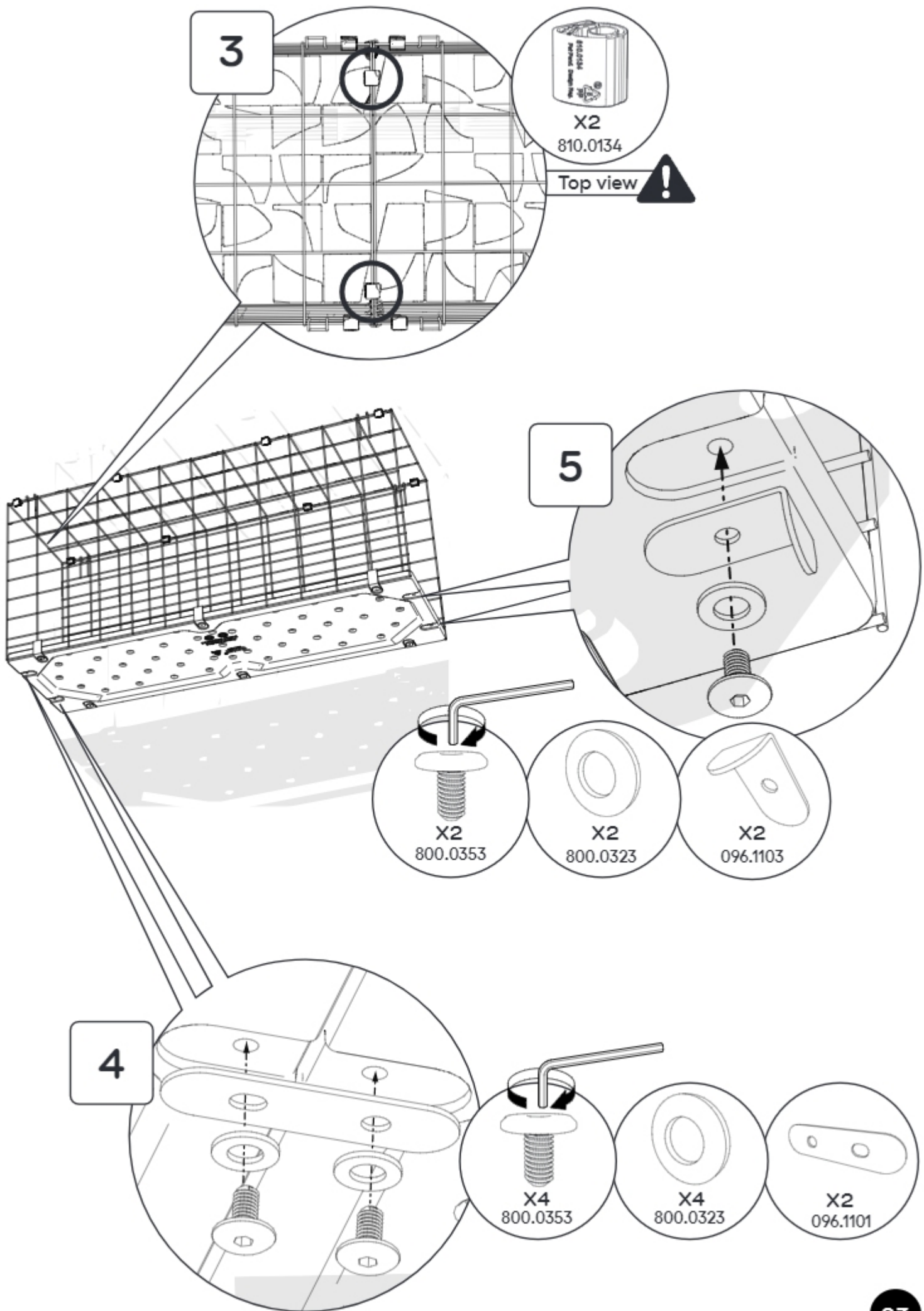


If you are fixing a Tunnel Walkway straight to a Window Board or an existing cat door please see the following example for guidance.

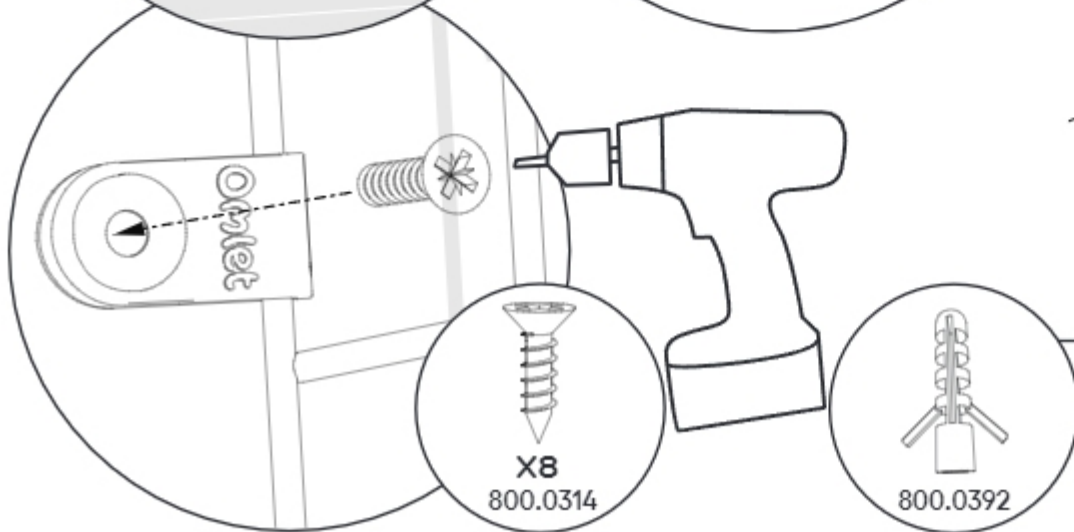
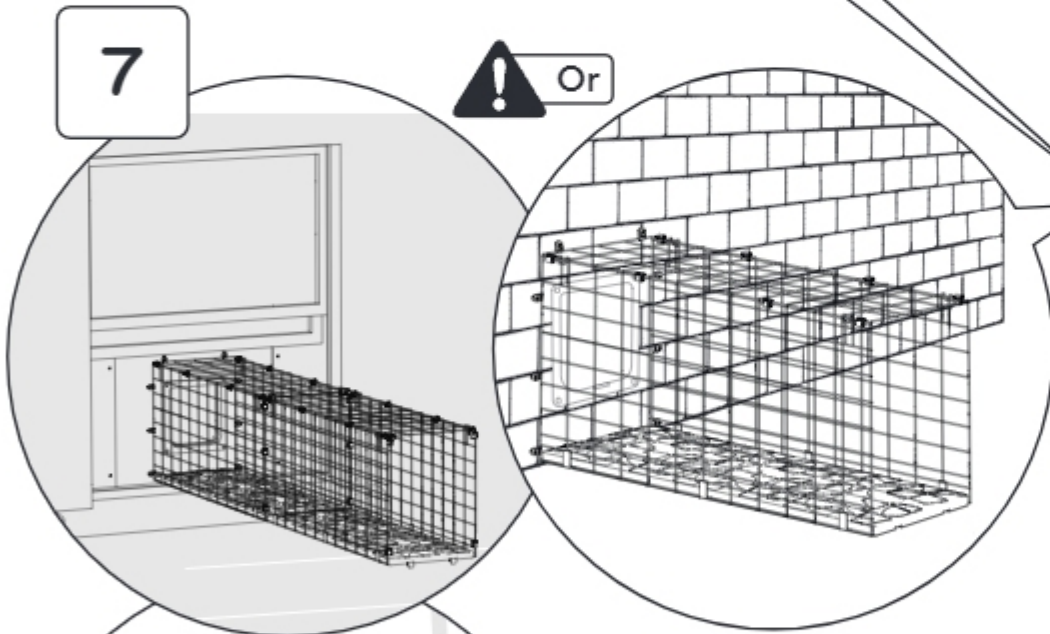
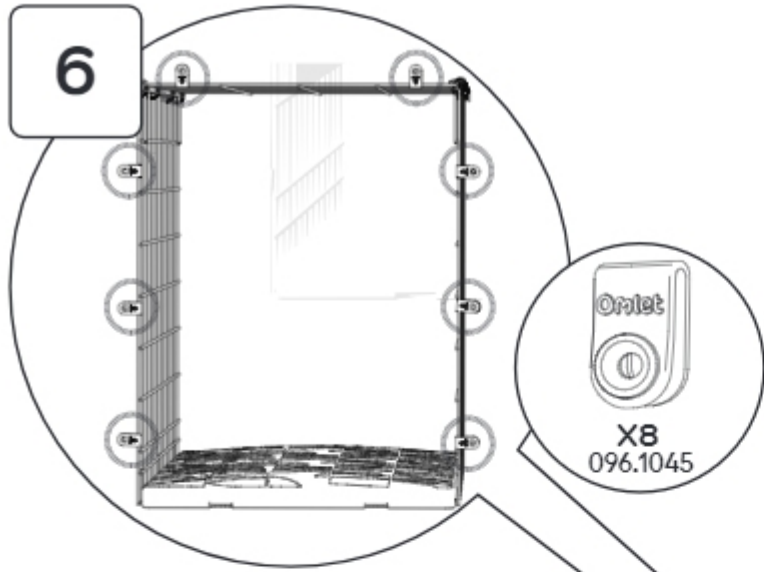


# WALKWAY





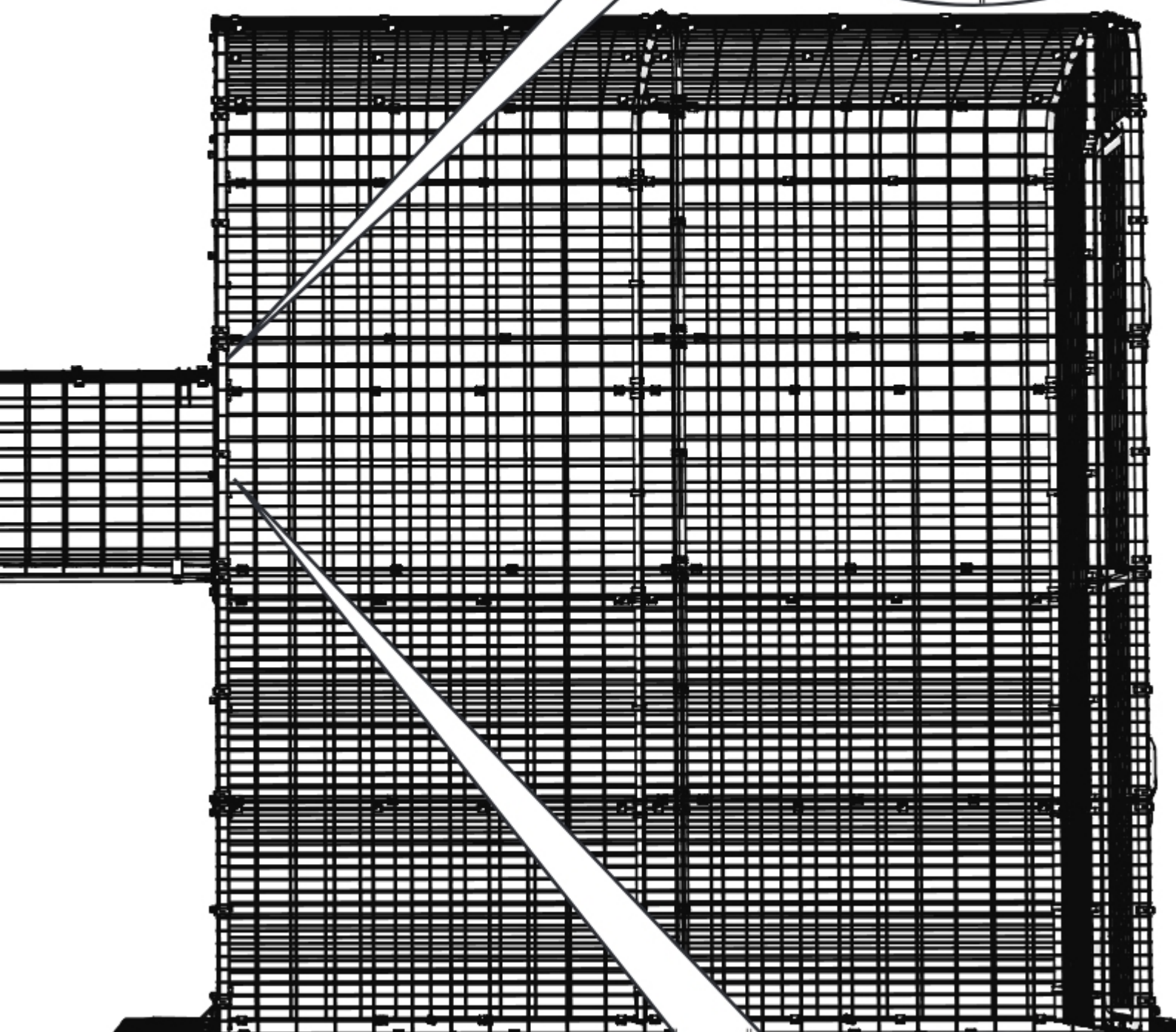
# ENTRY POINT



810.0410



X2  
810.0411

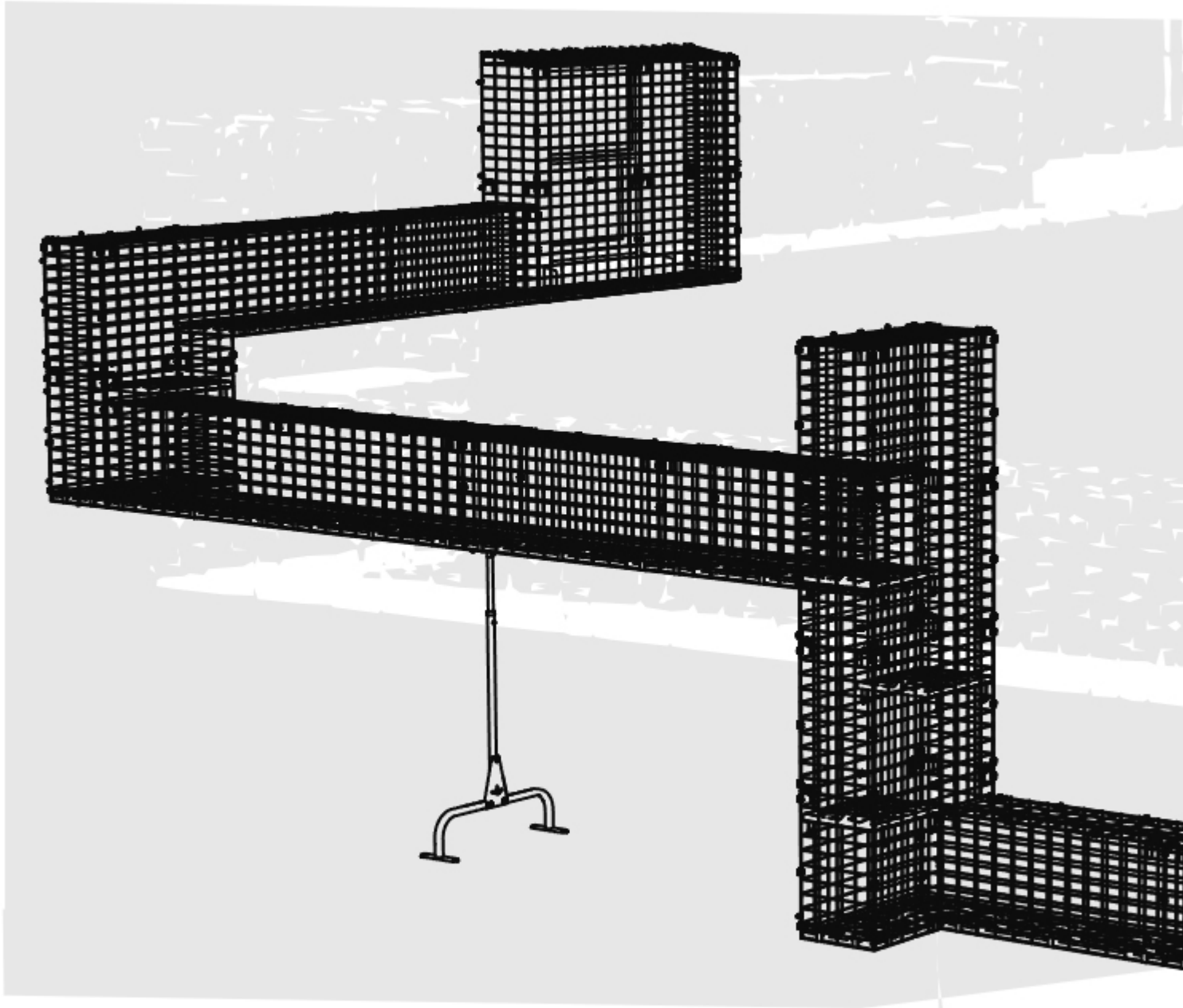


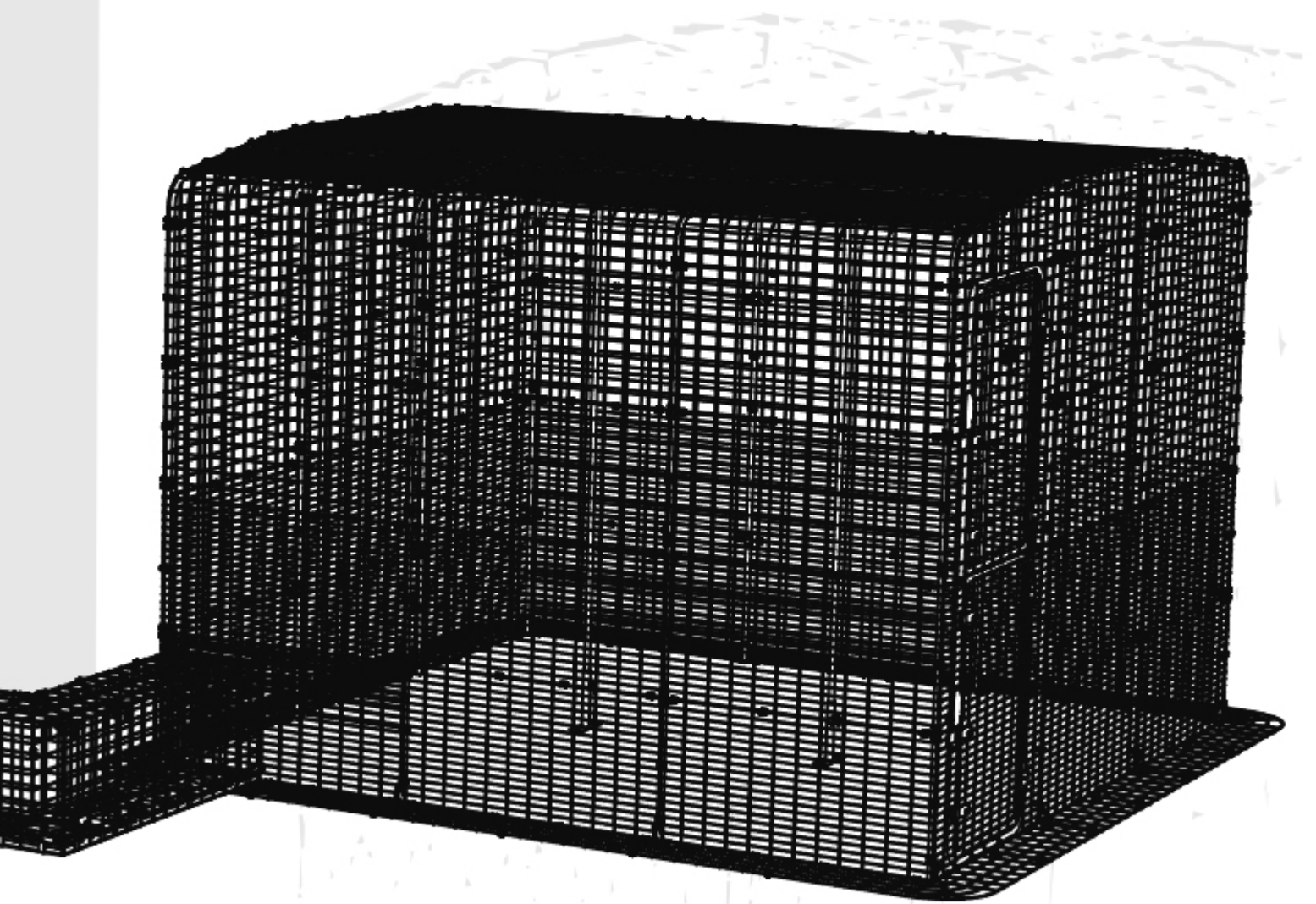


## Setup Example 2



Don't worry if your set-up doesn't match this example. This section will teach you how to connect each module in the three possible configurations: Wall mounted, freestanding and floor running.

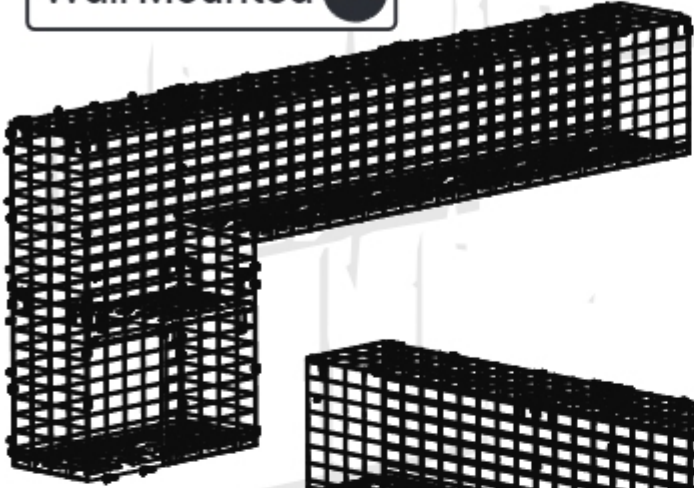




Entry Point 65



Wall Mounted 100



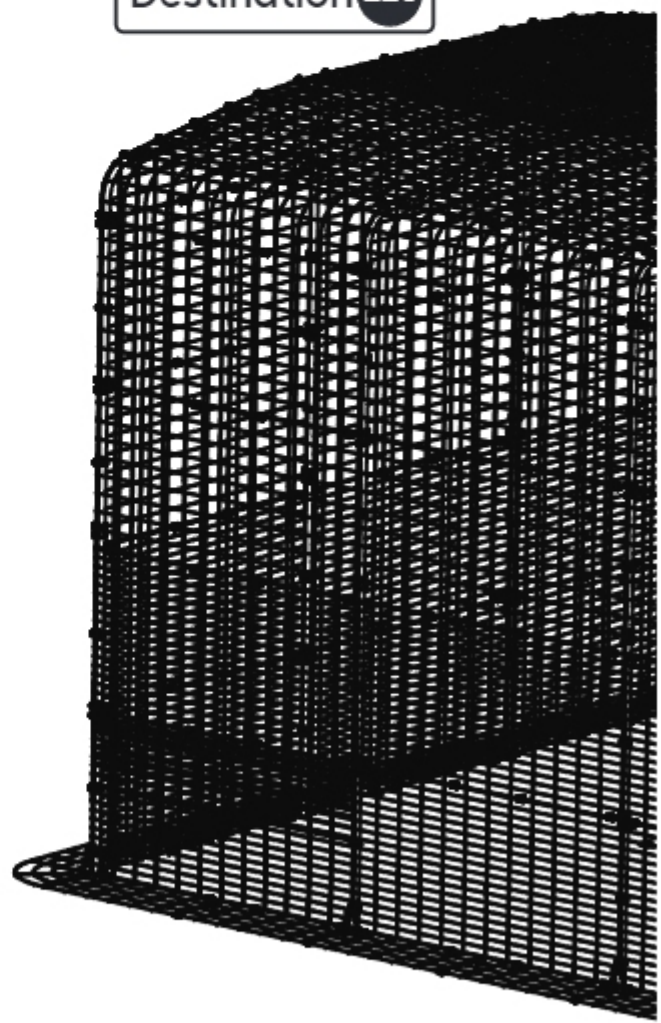
Freestanding 118

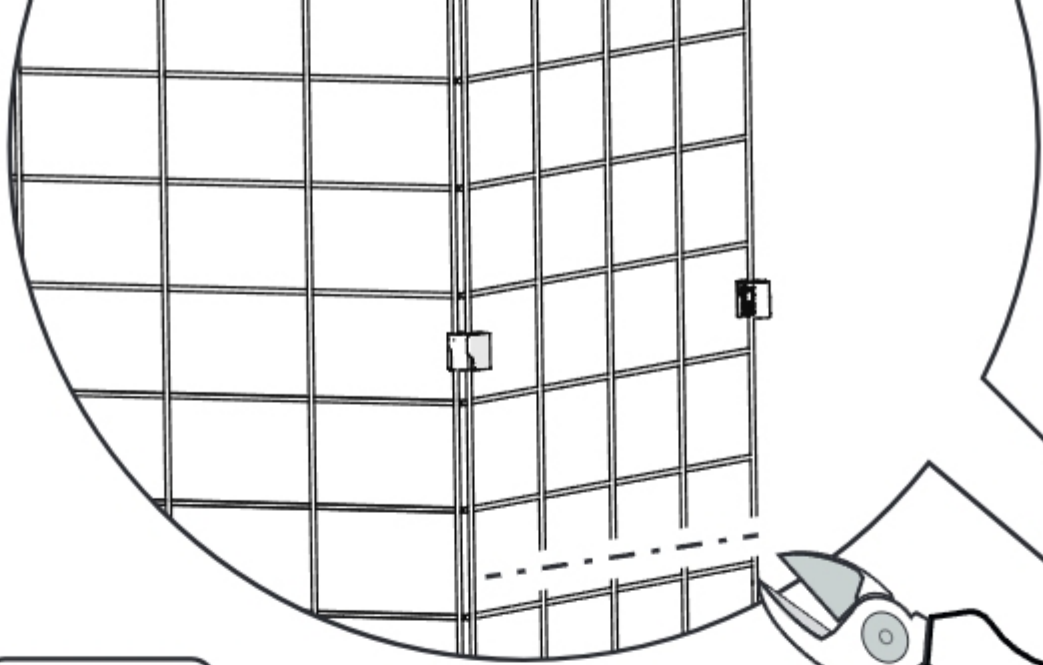




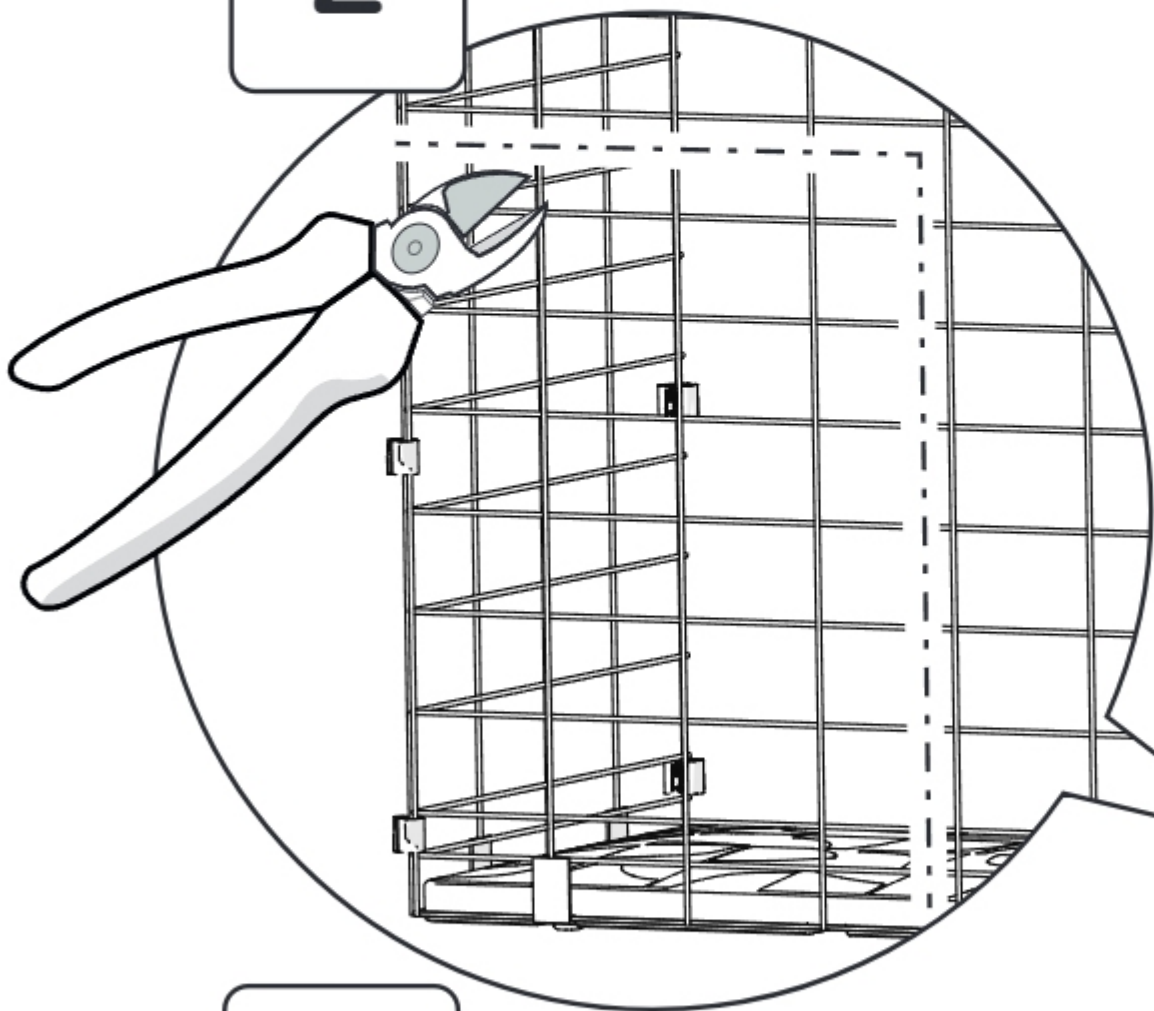
Floor Running 114

Destination 126

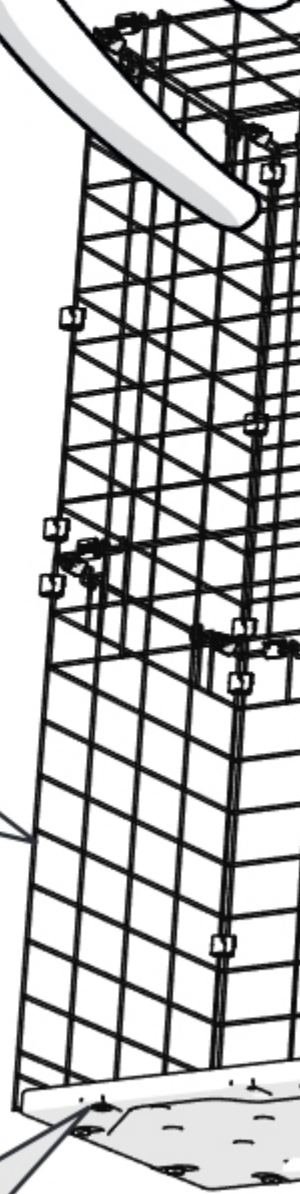
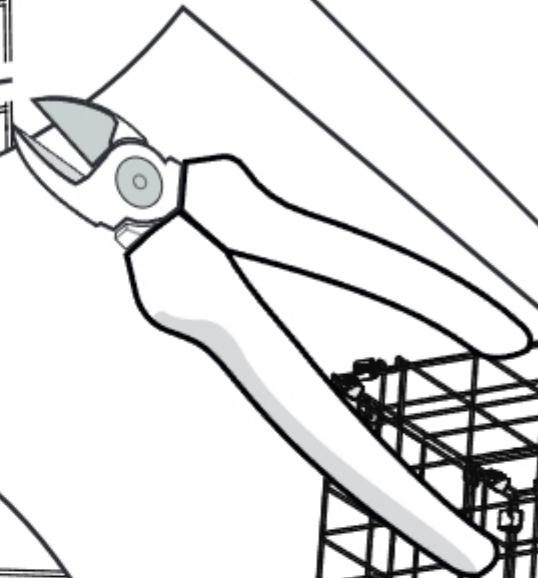
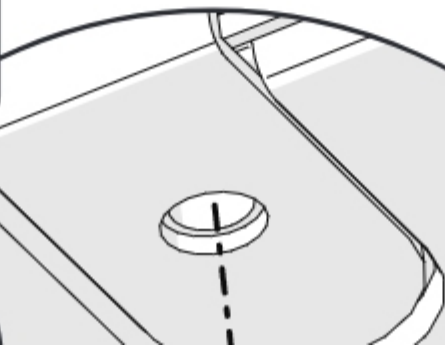
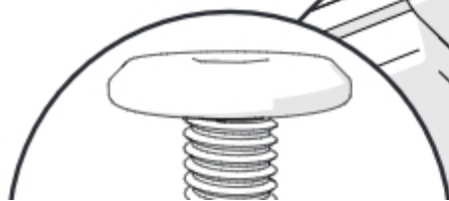




2



3

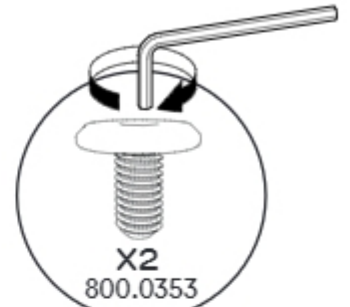


6

3 per side



X3  
810.0134



X2  
800.0353

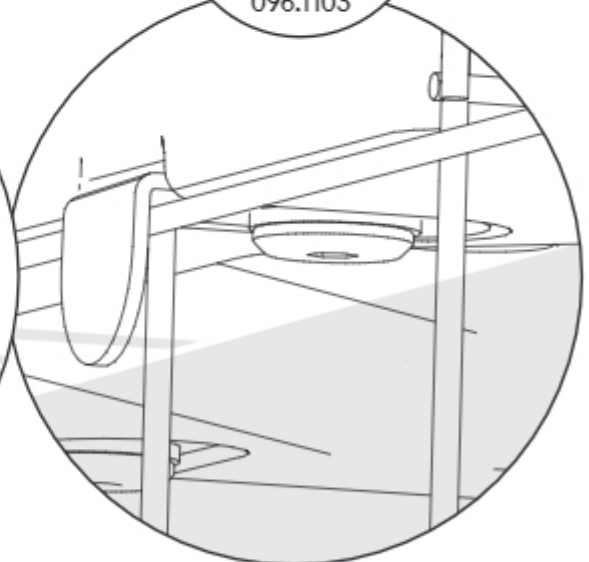
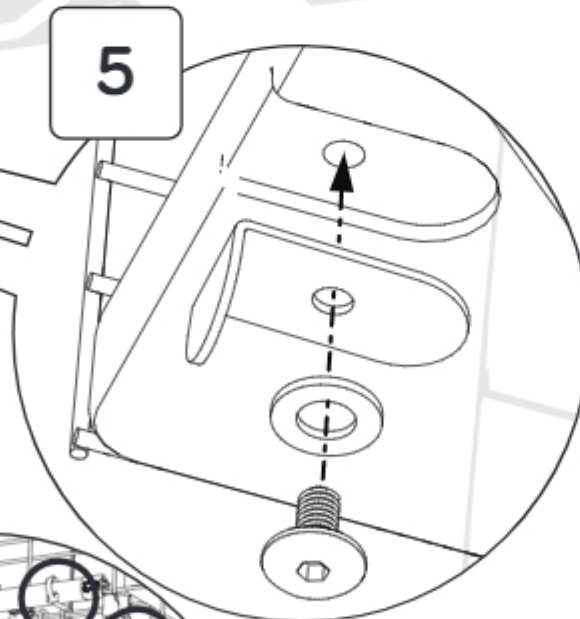


X2  
800.0323

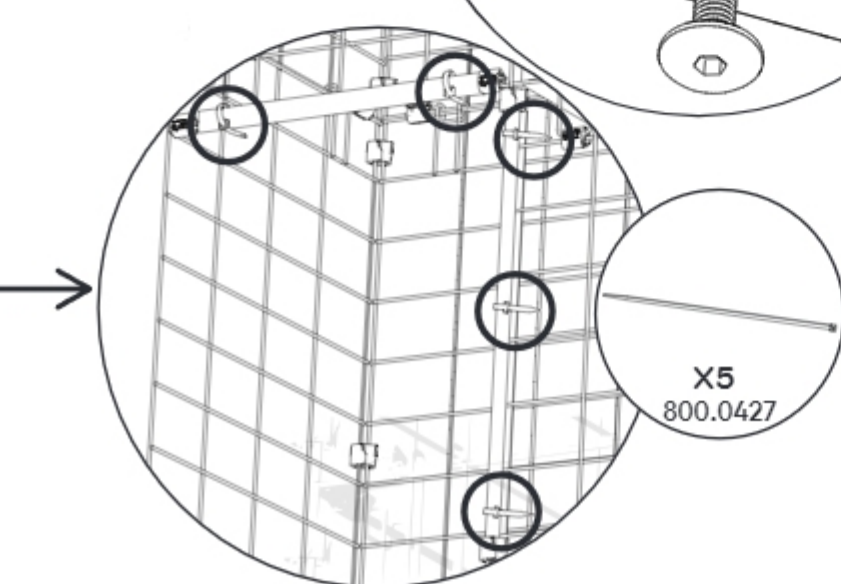


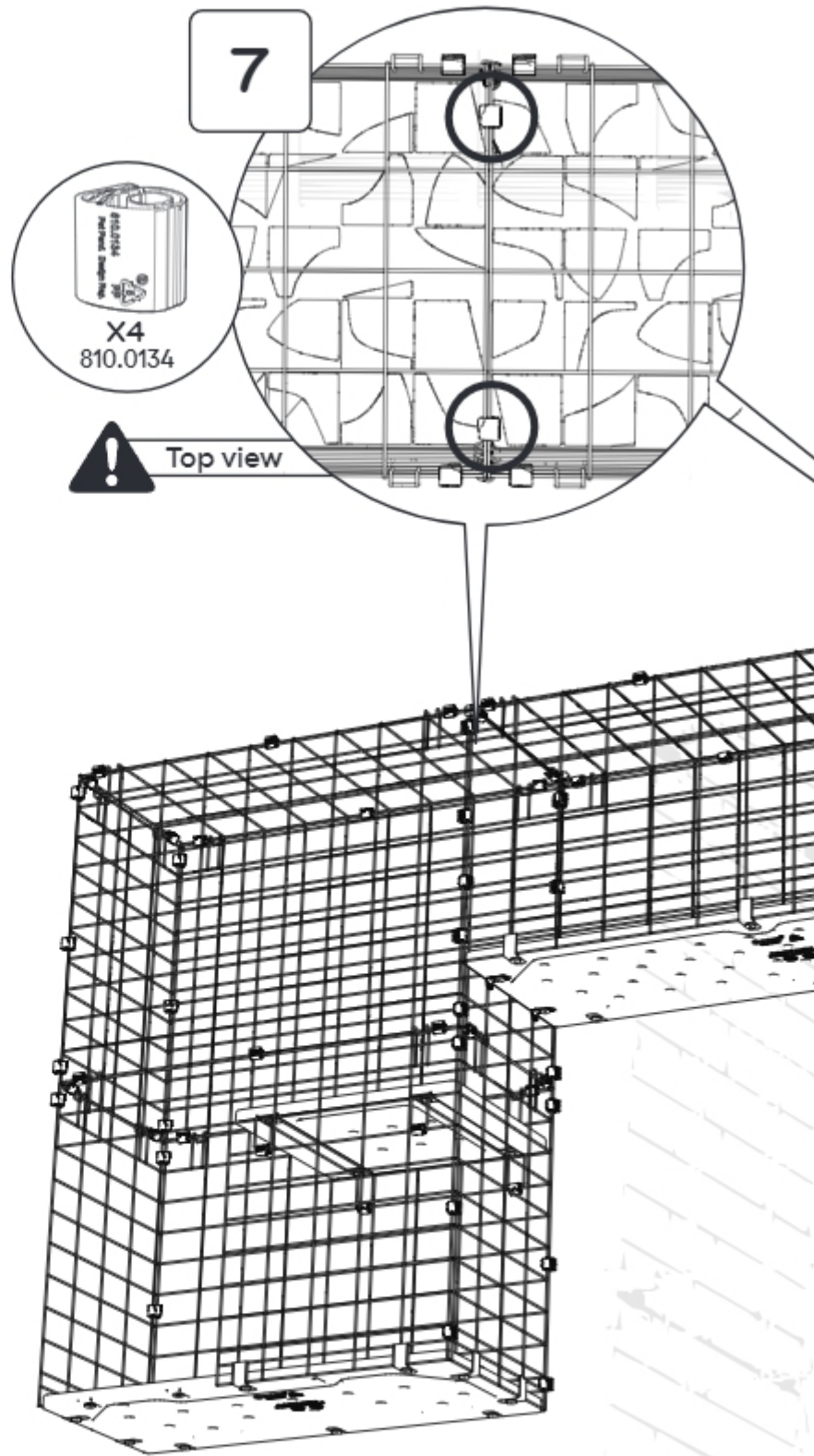
X2  
096.1103

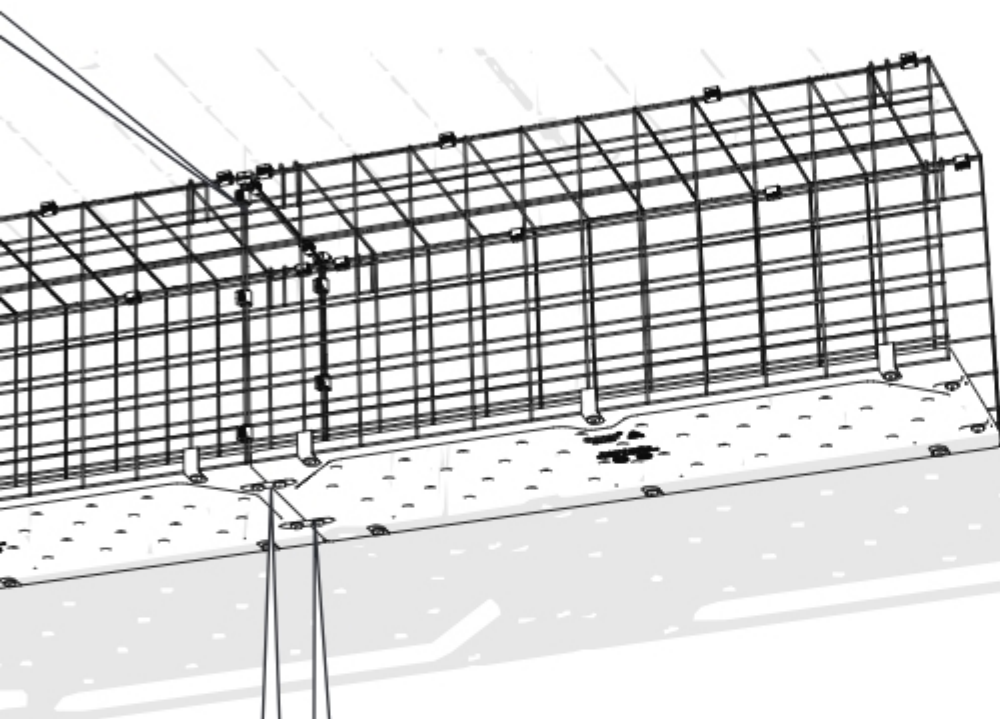
5



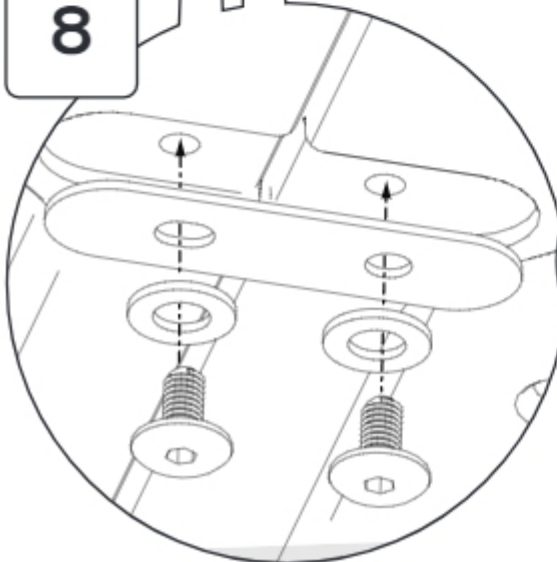
X5  
800.0427







8

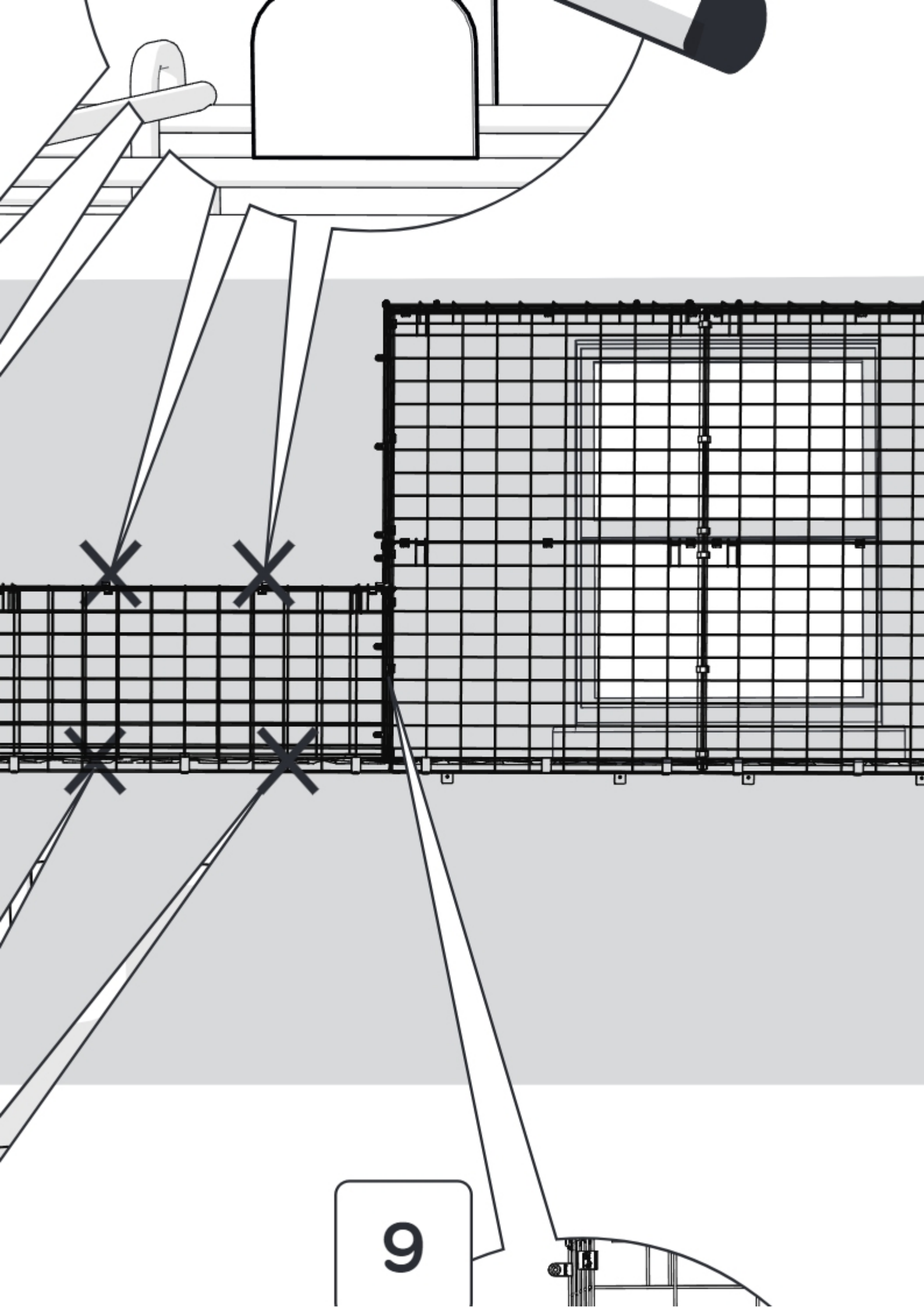






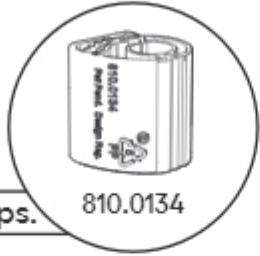
Support weight.



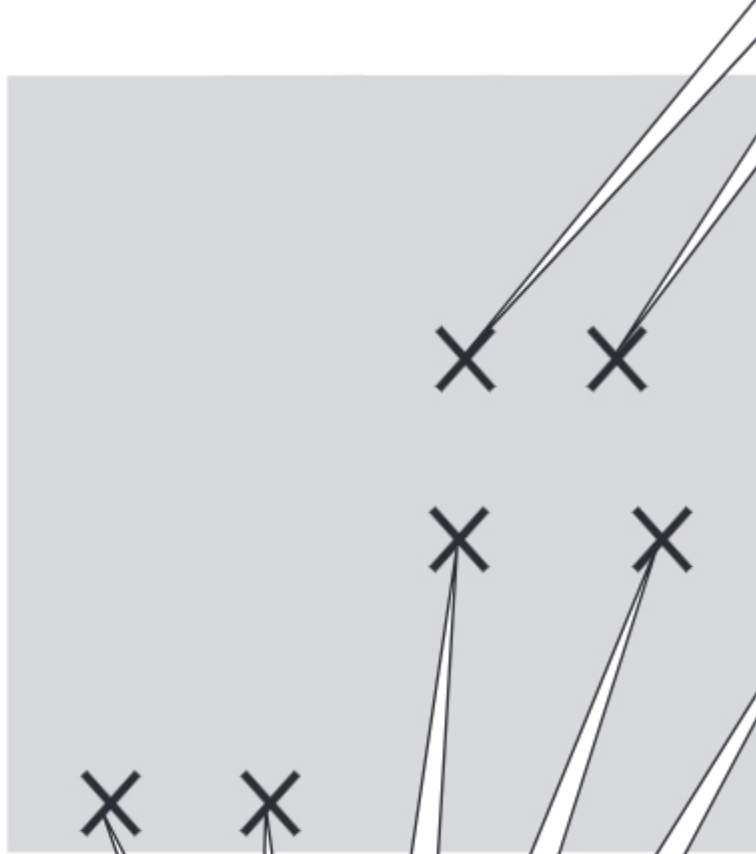


9

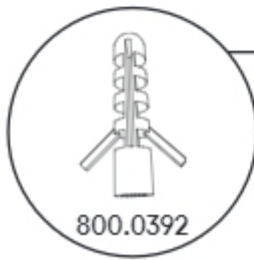
12



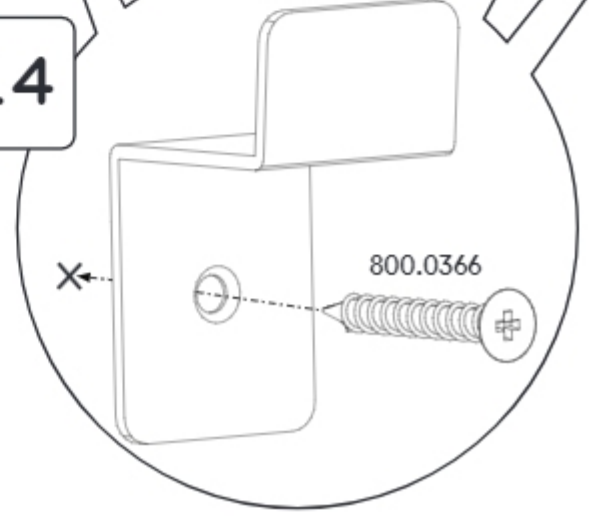
! Remove temporary clips.



14



Optional

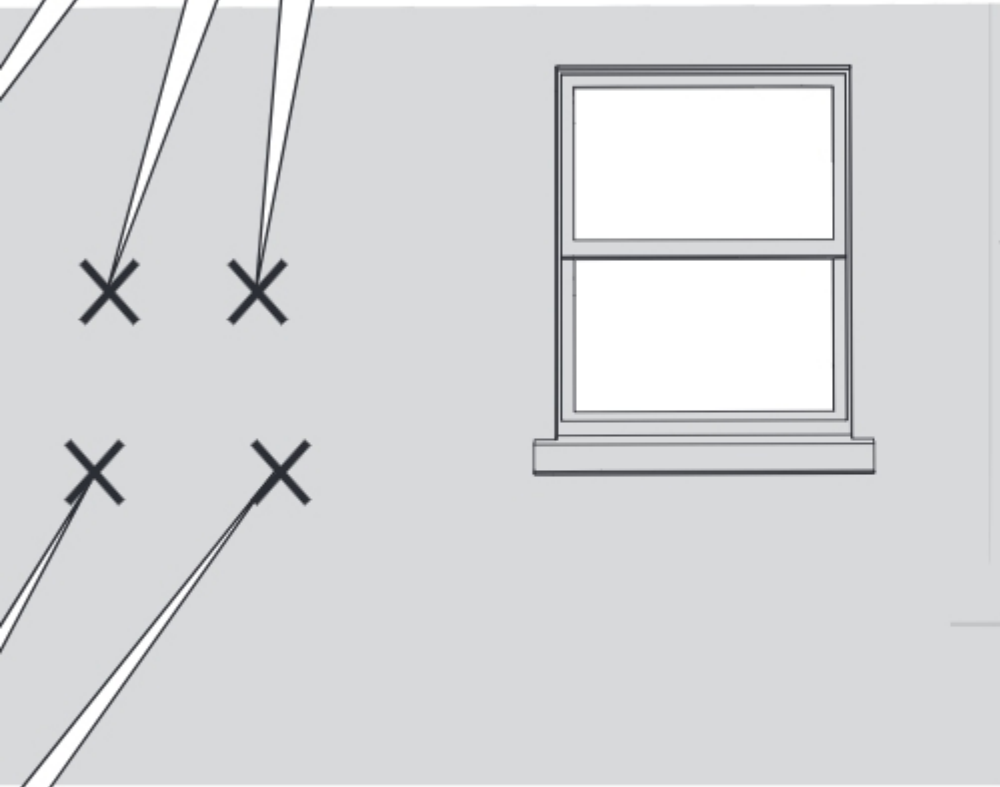
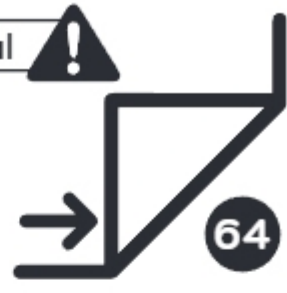


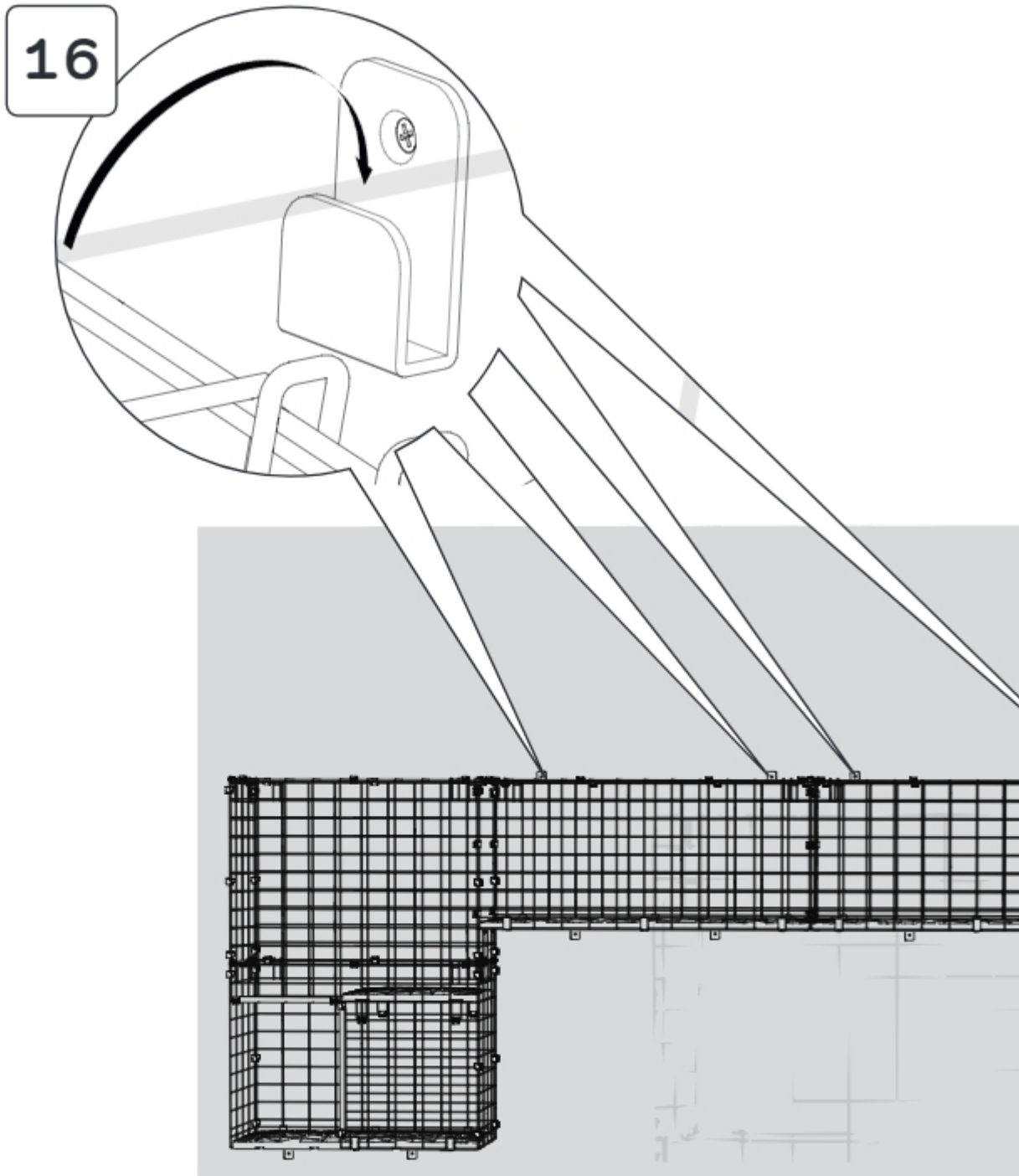
13

800.0366

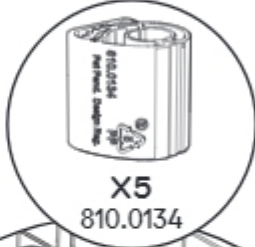
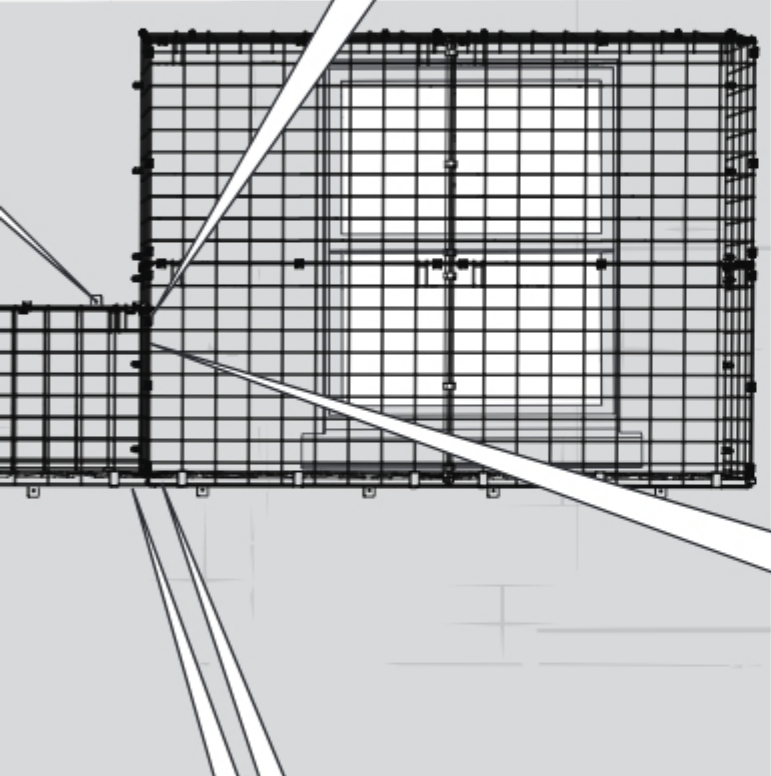
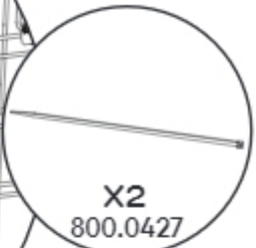
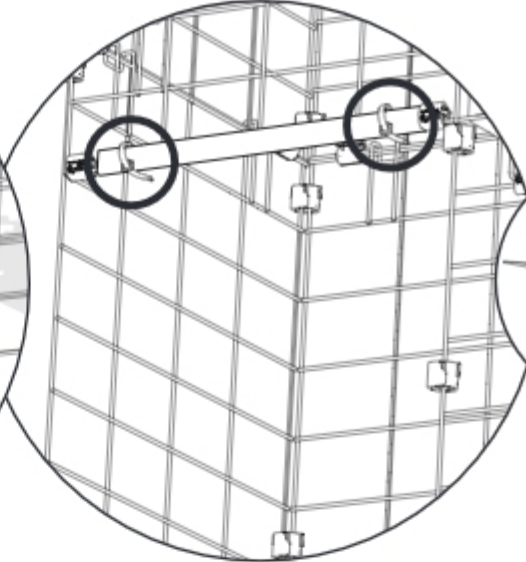
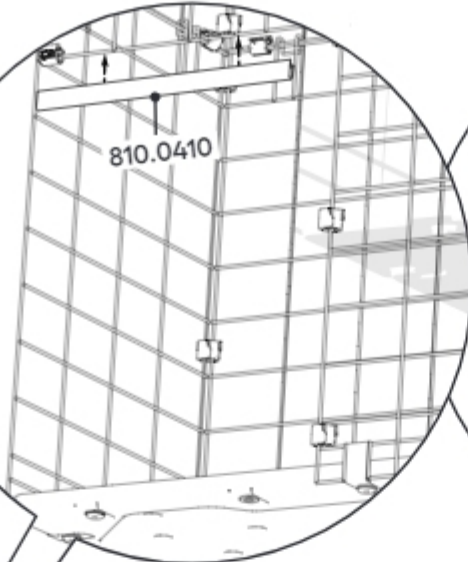
800.0392

Optional

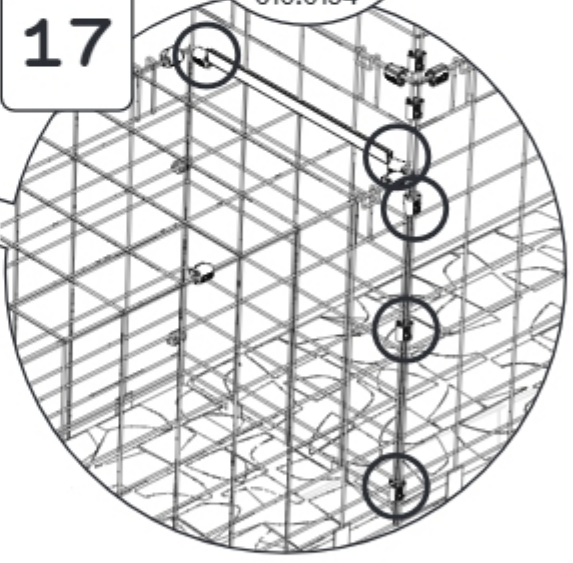




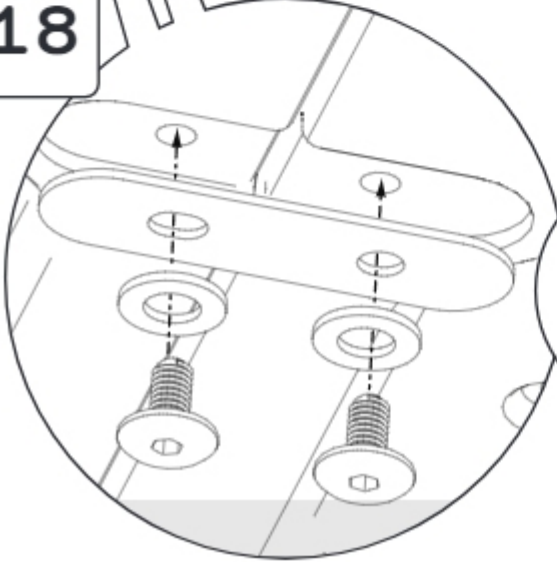
15

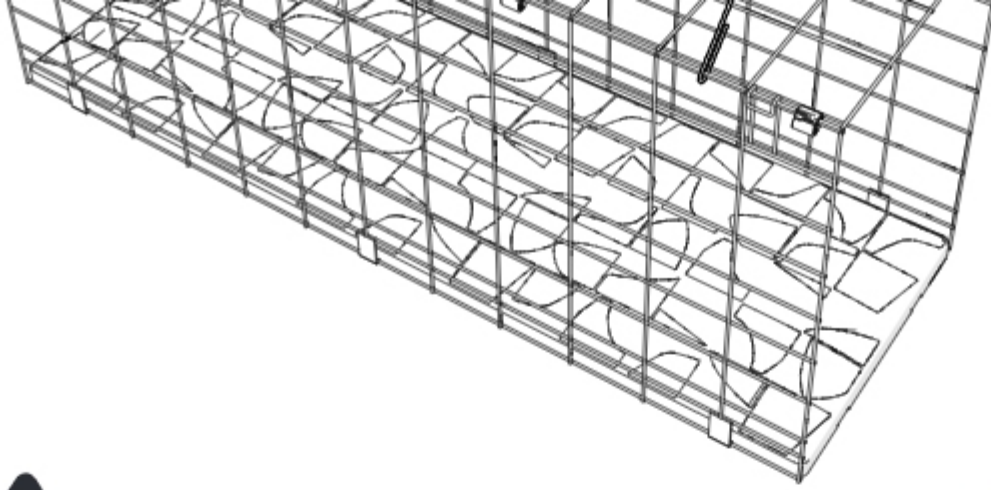


17



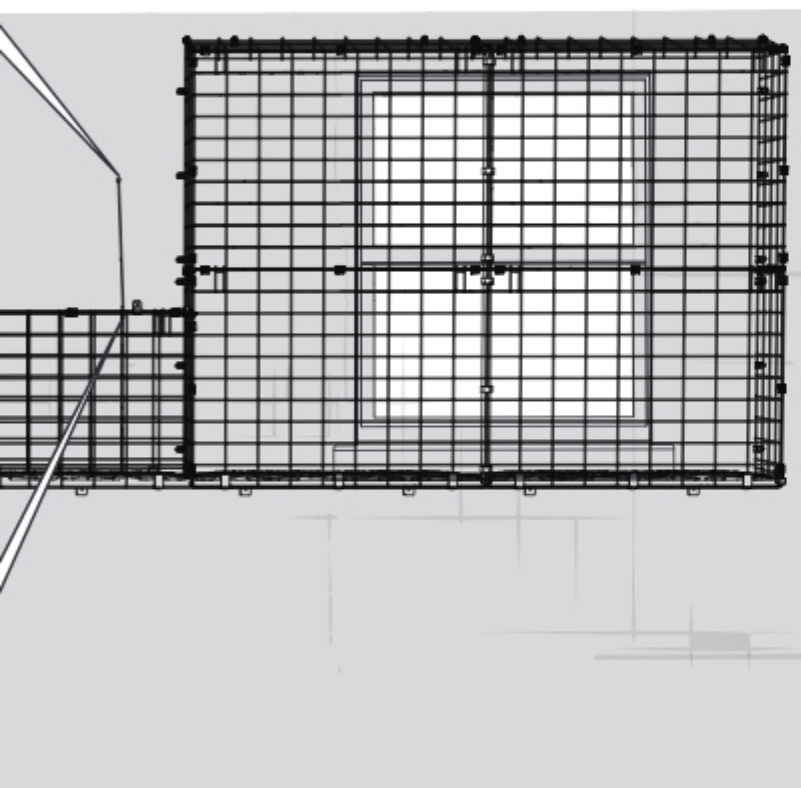
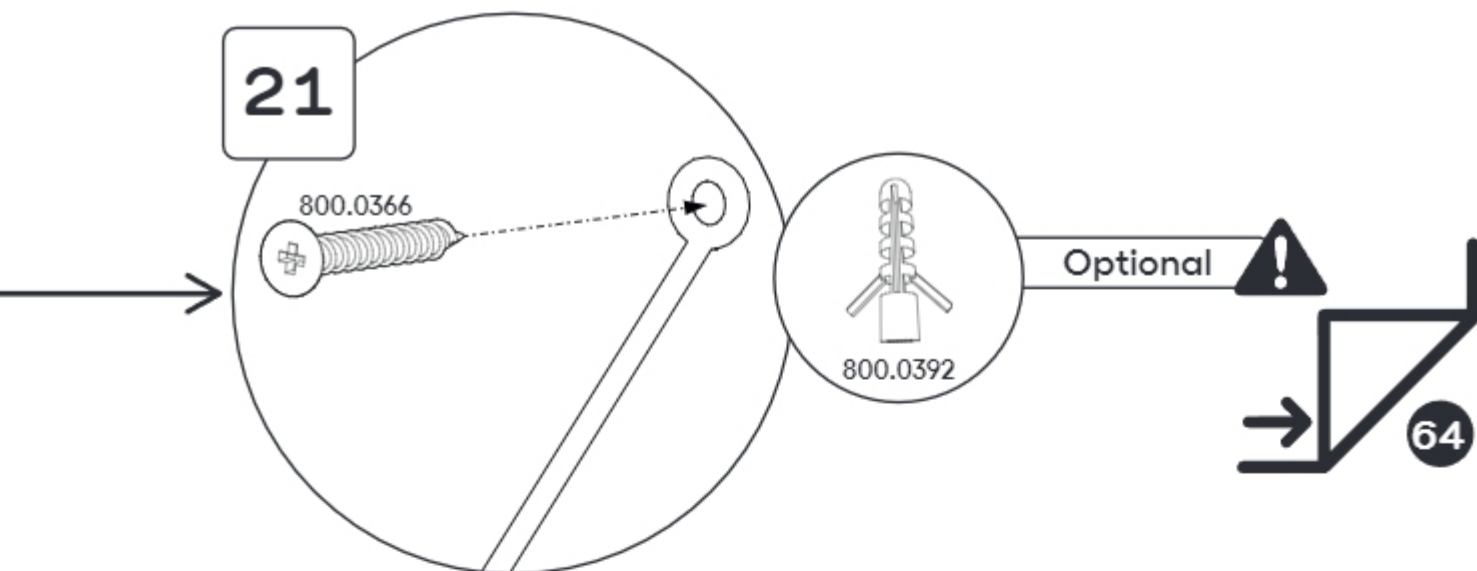
18





2 Tension wires per Tunnel.



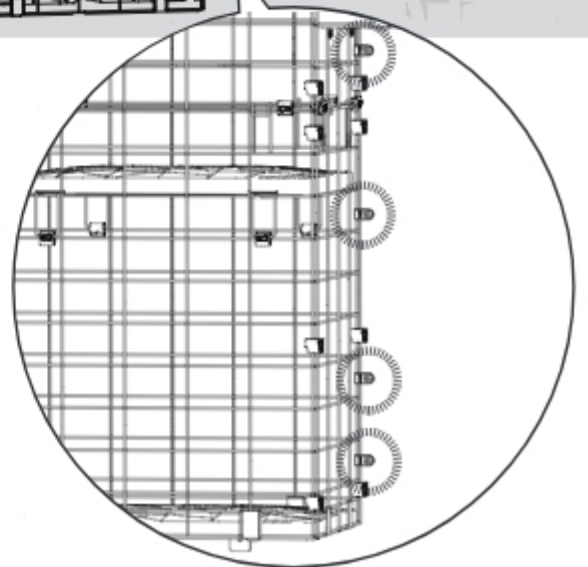
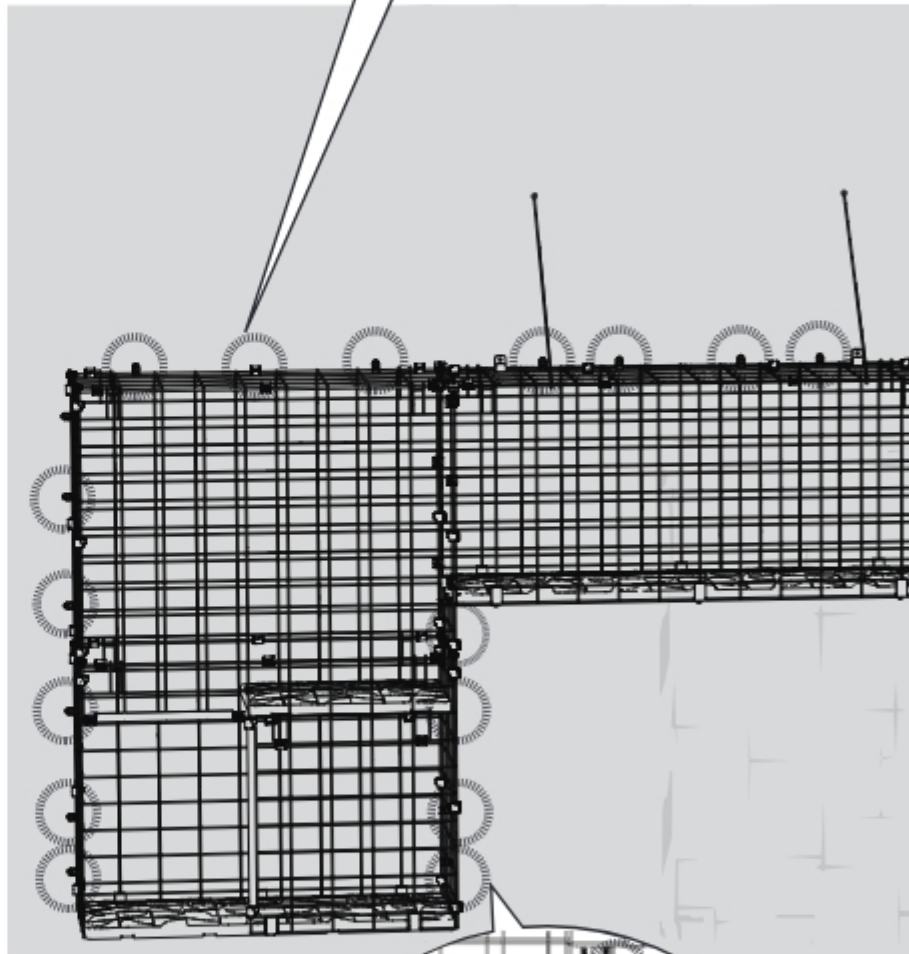
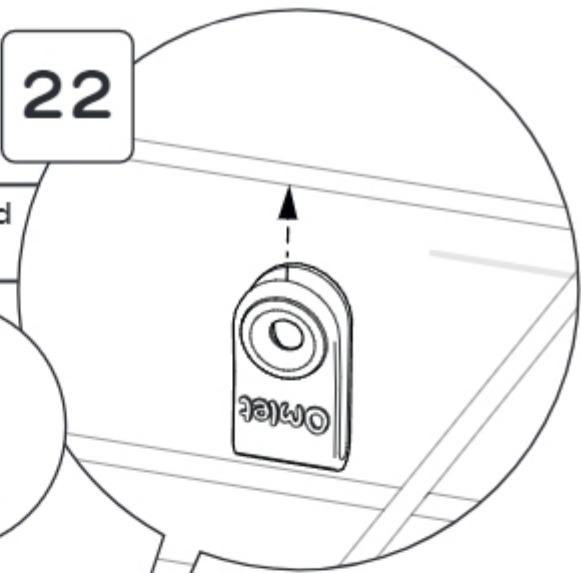




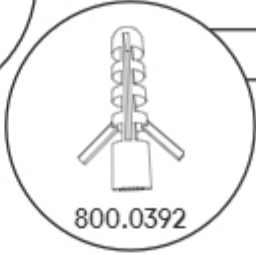
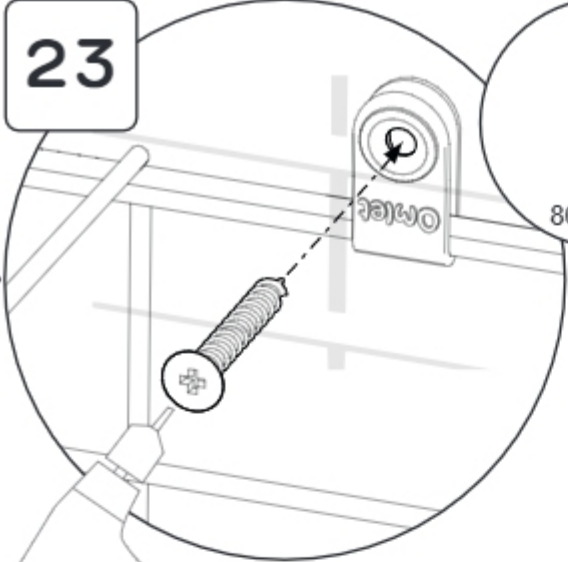
22



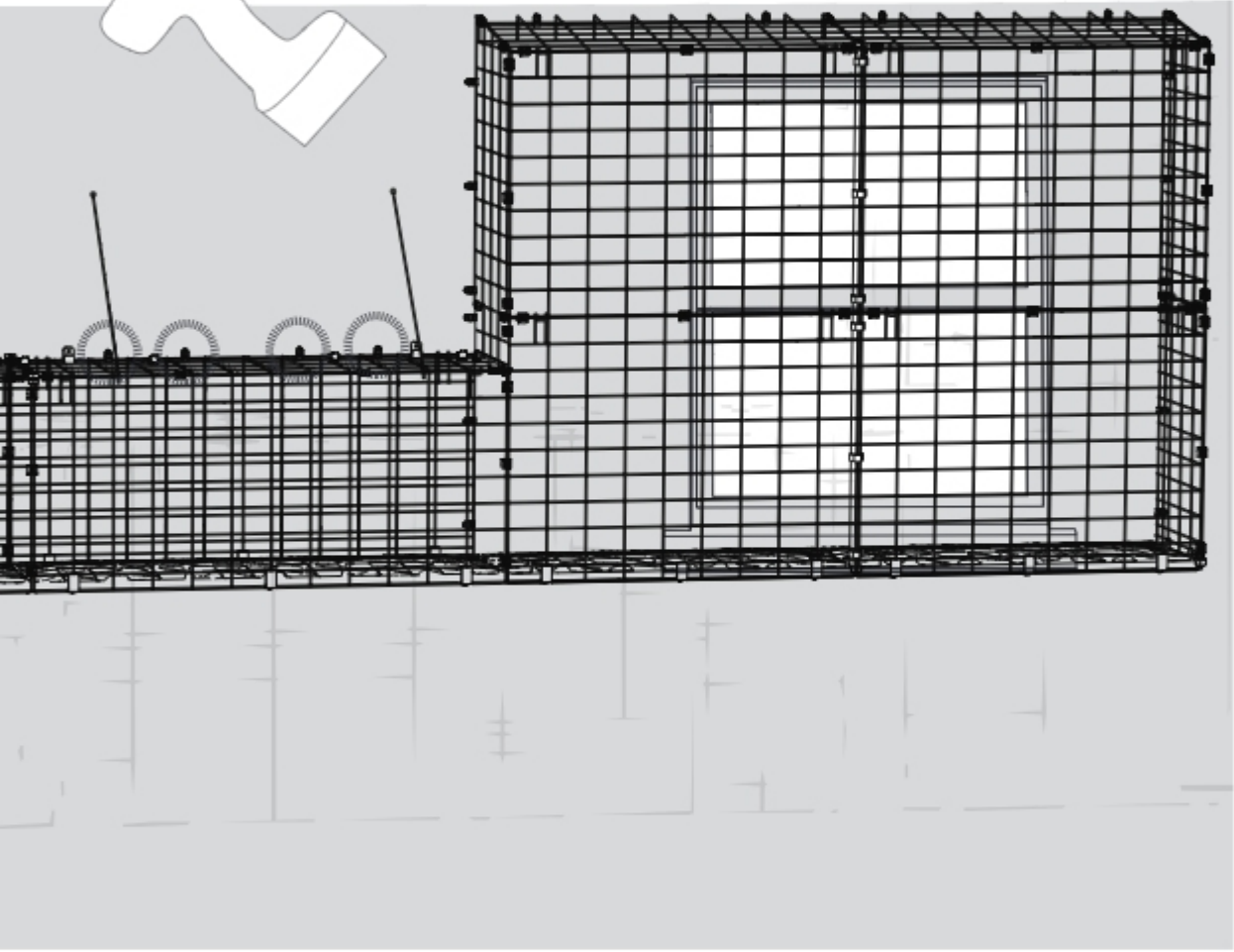
Please add wall mounting clips where required for extra support.



23

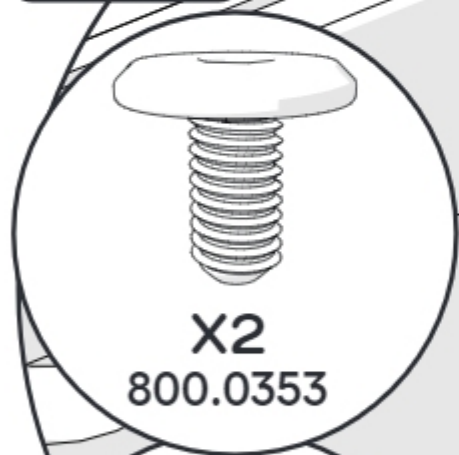


Optional

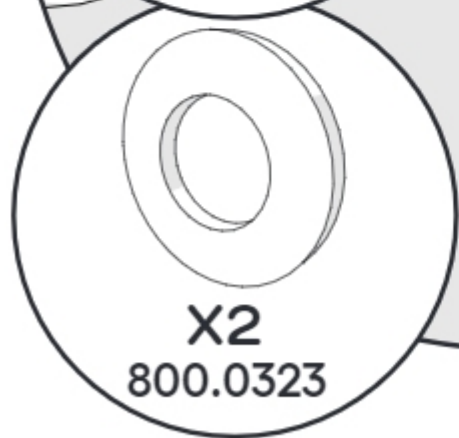




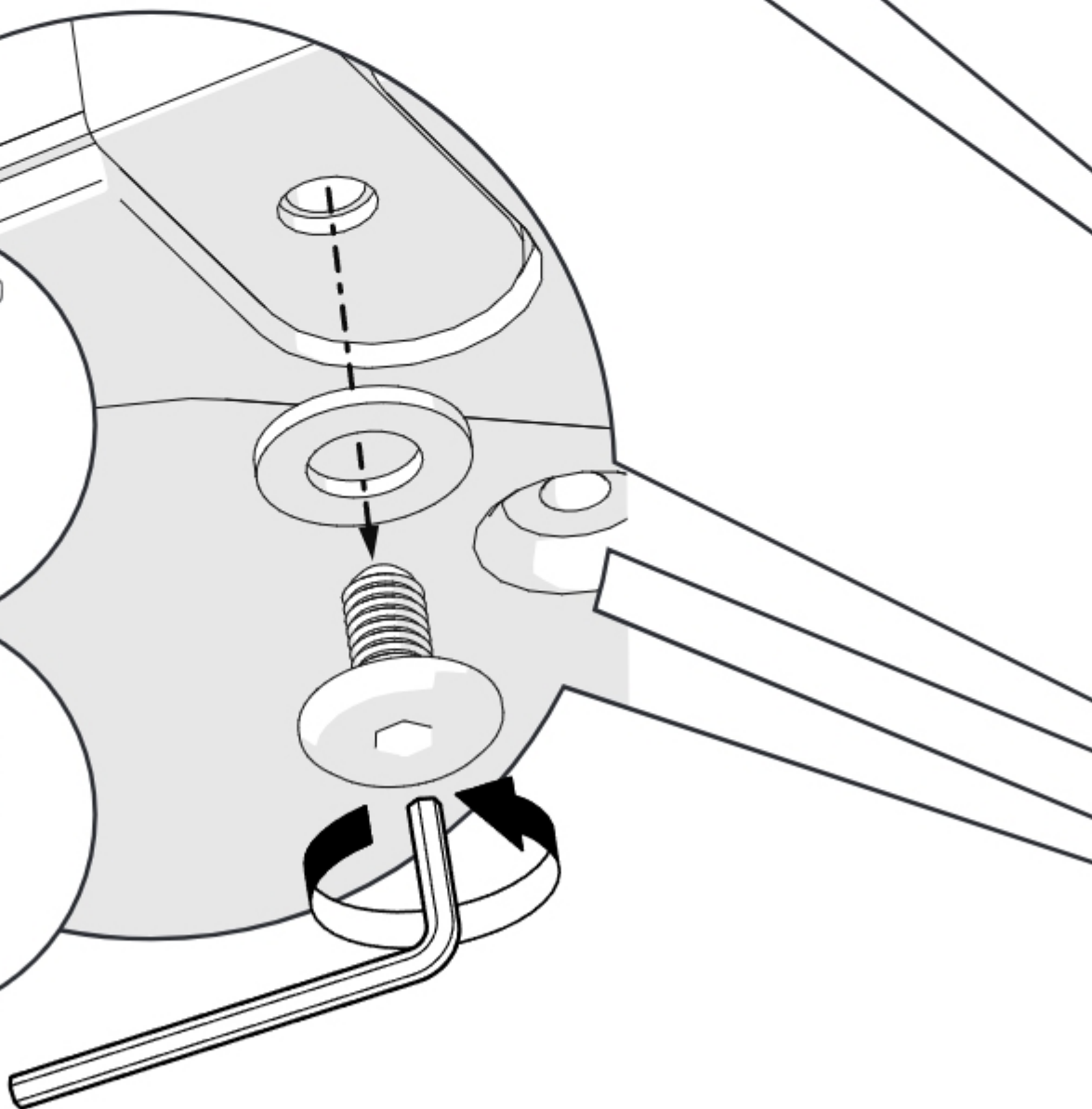
**2**

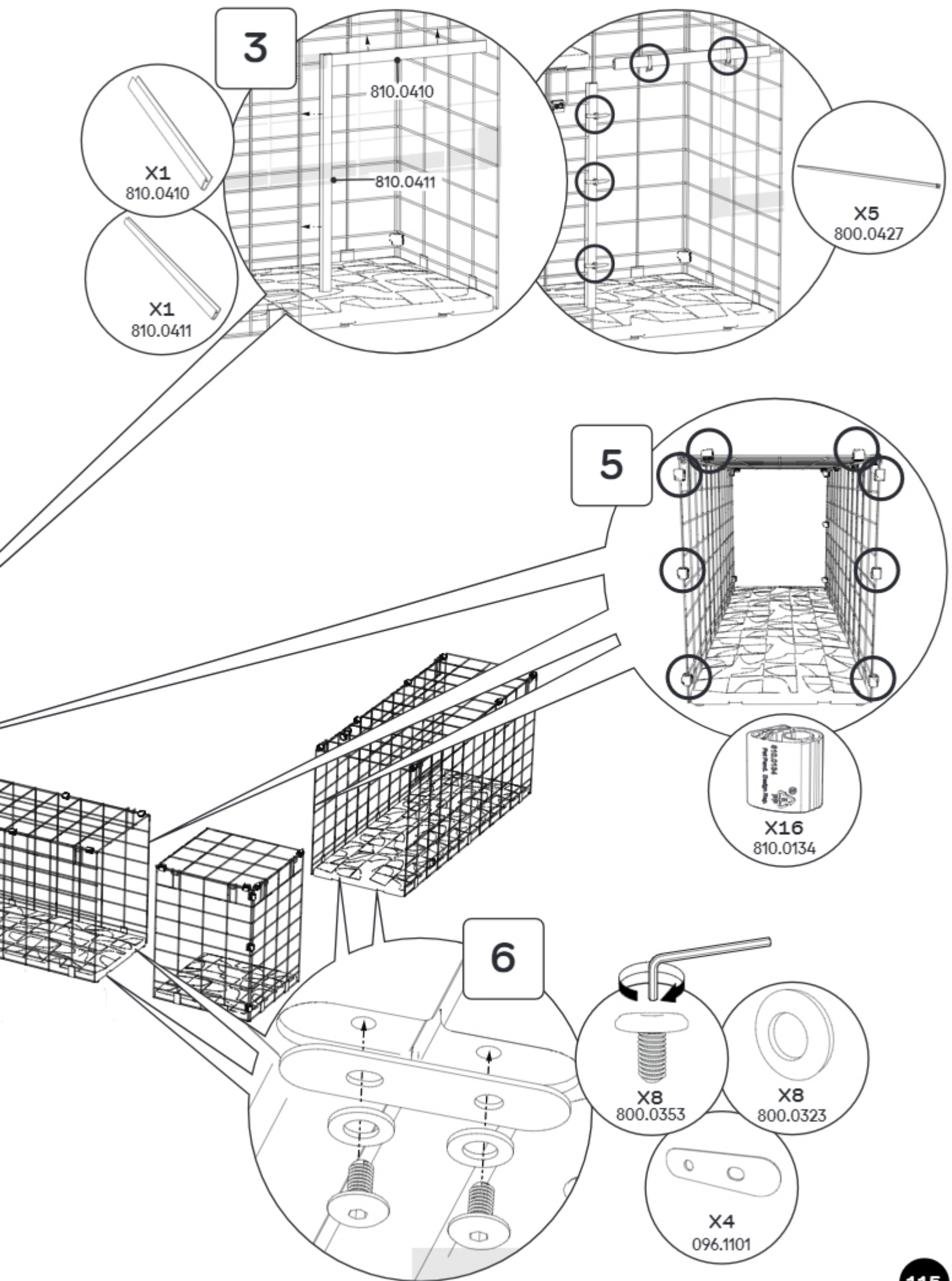


X2  
800.0353

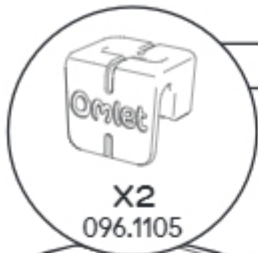


X2  
800.0323





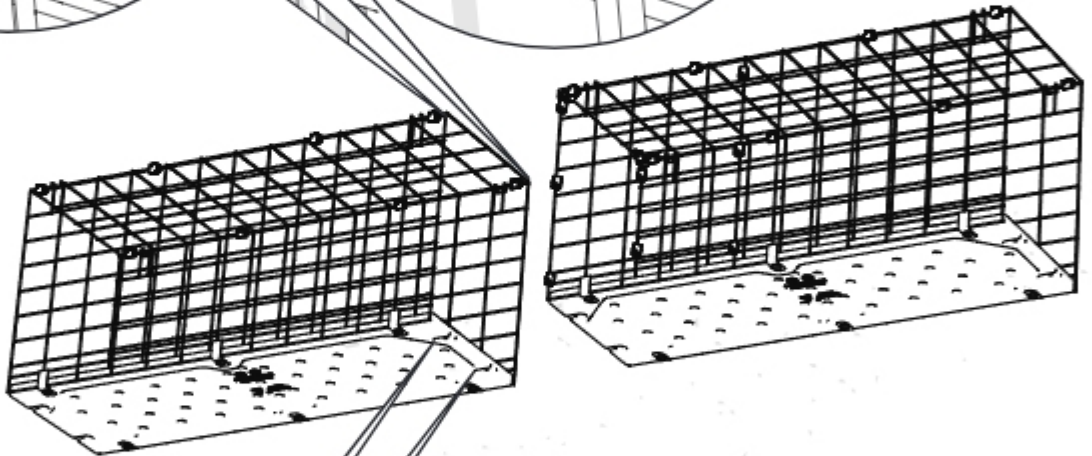
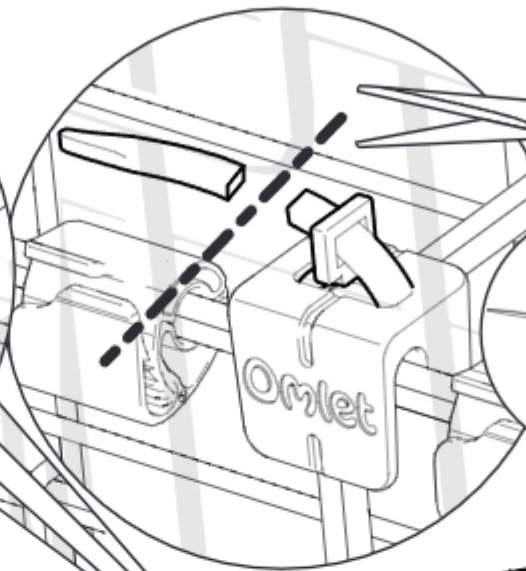
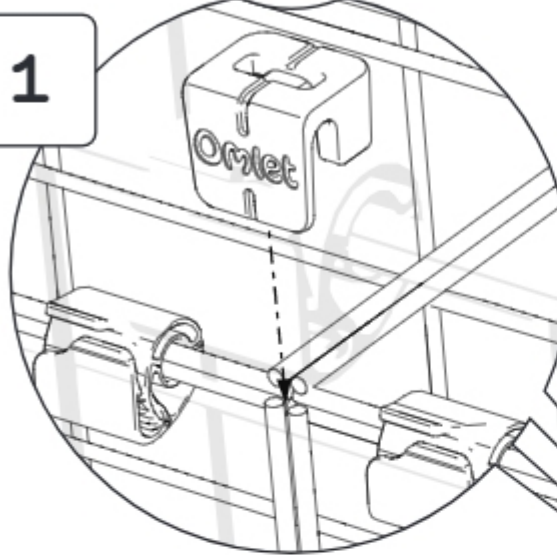
# FREESTANDING



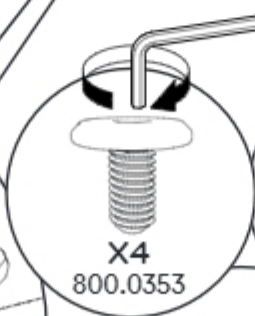
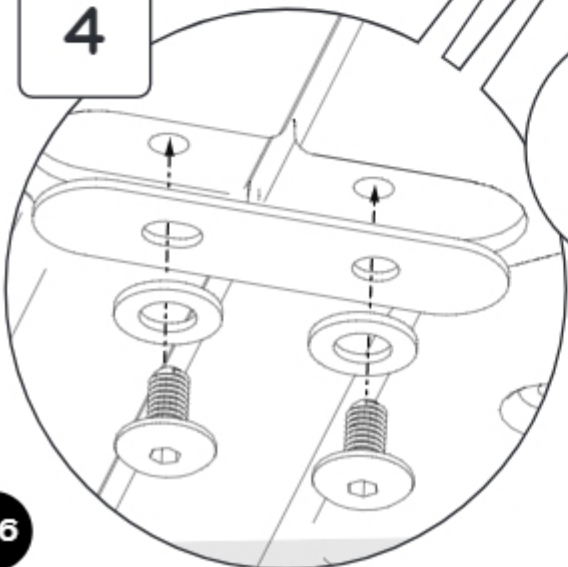
2 per tunnel to tunnel join



1

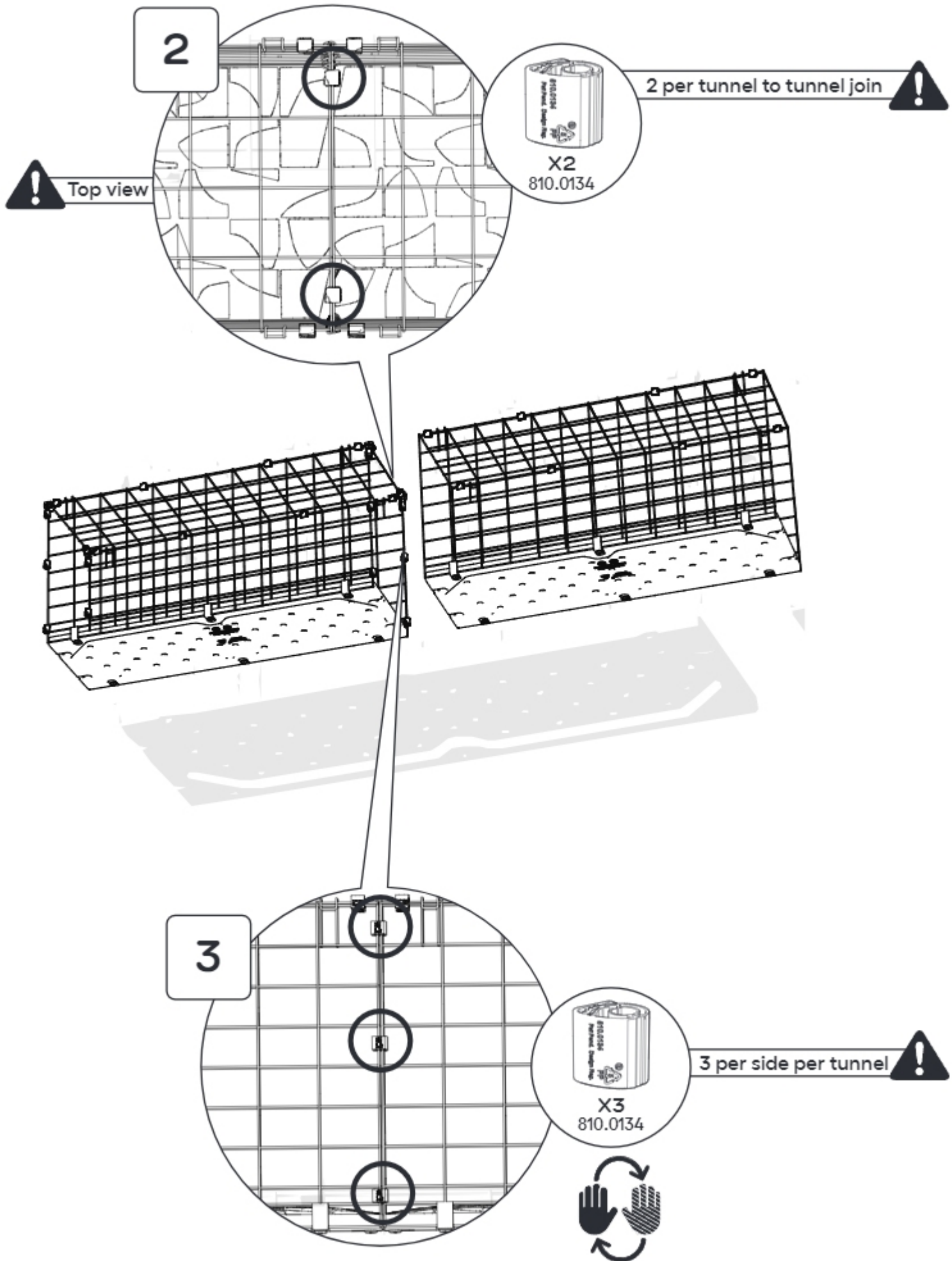


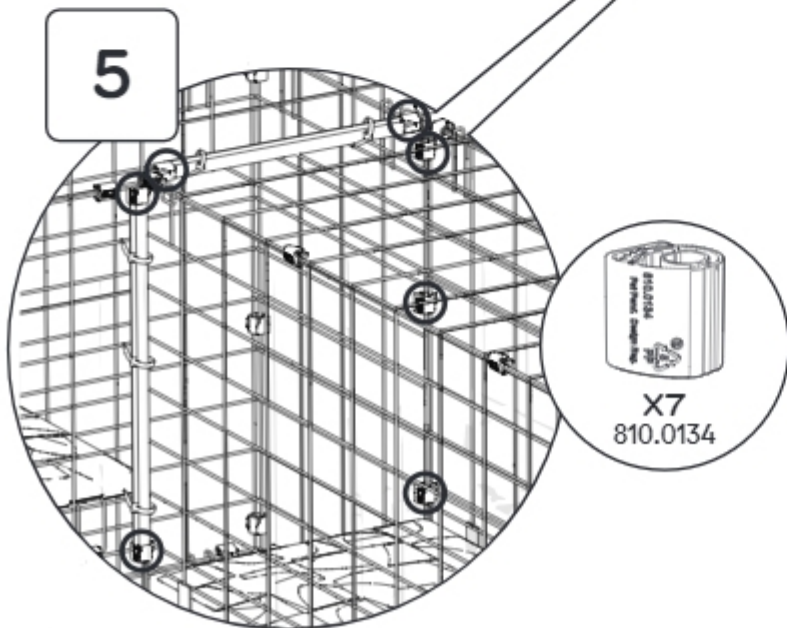
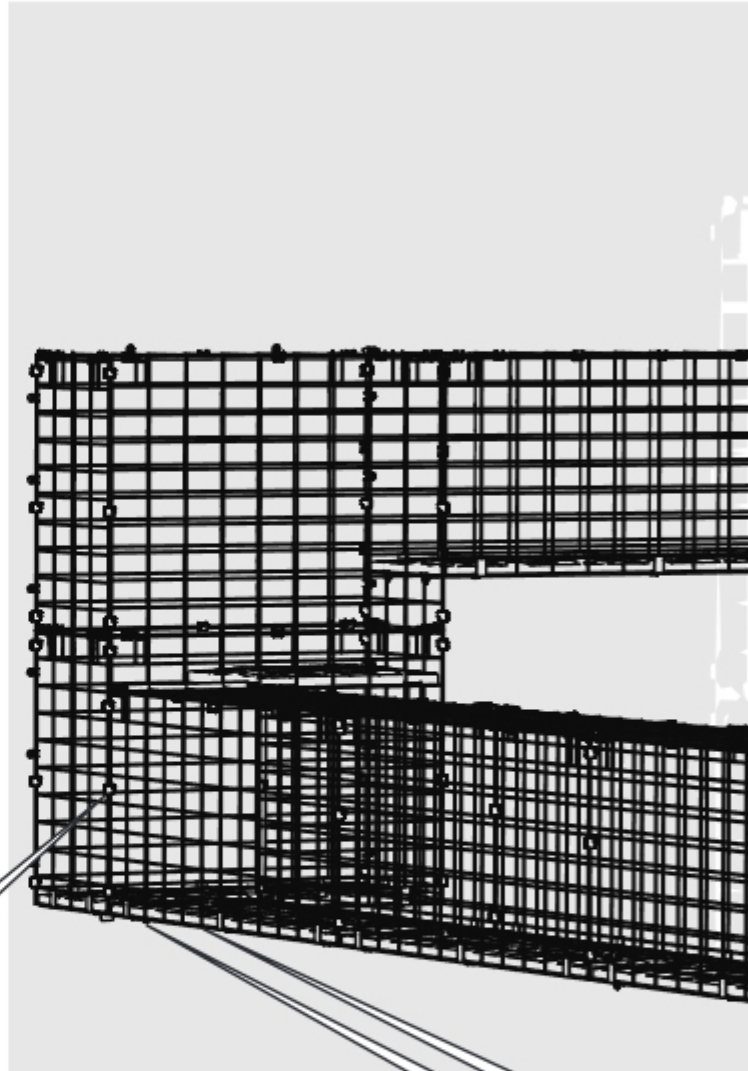
4

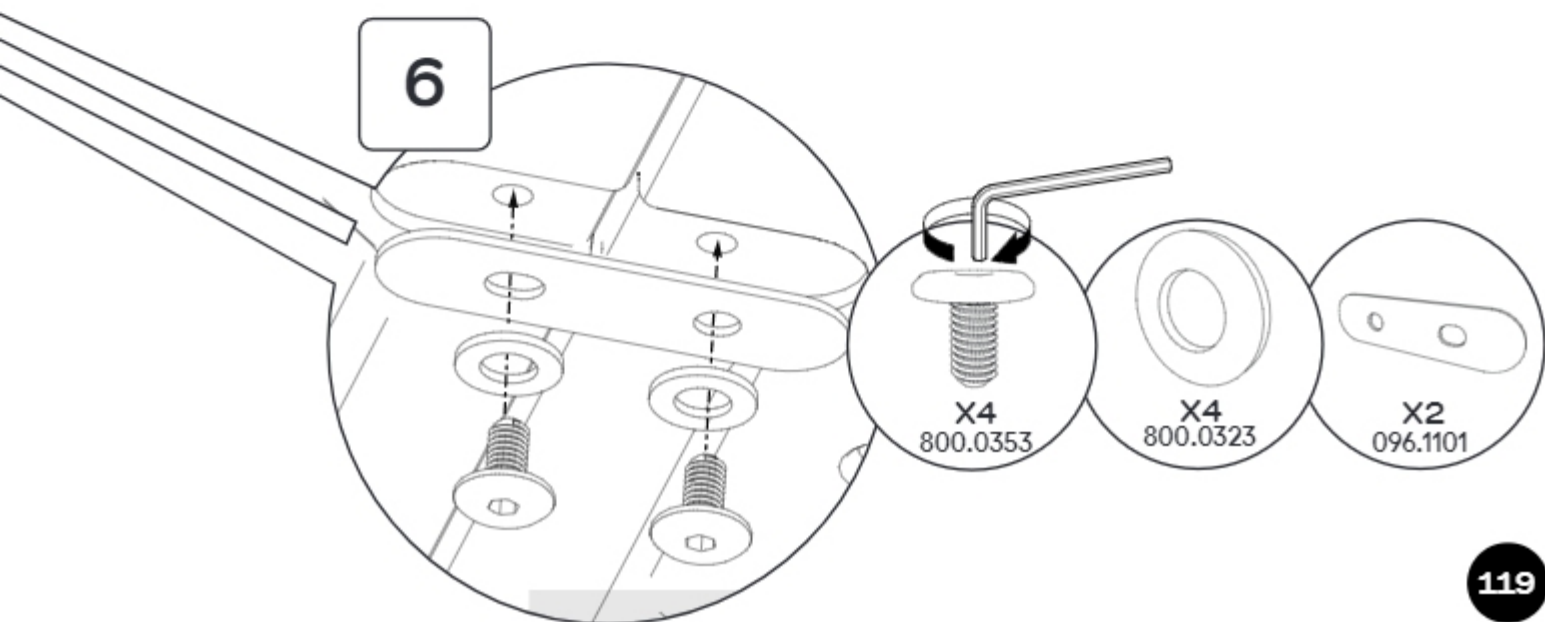
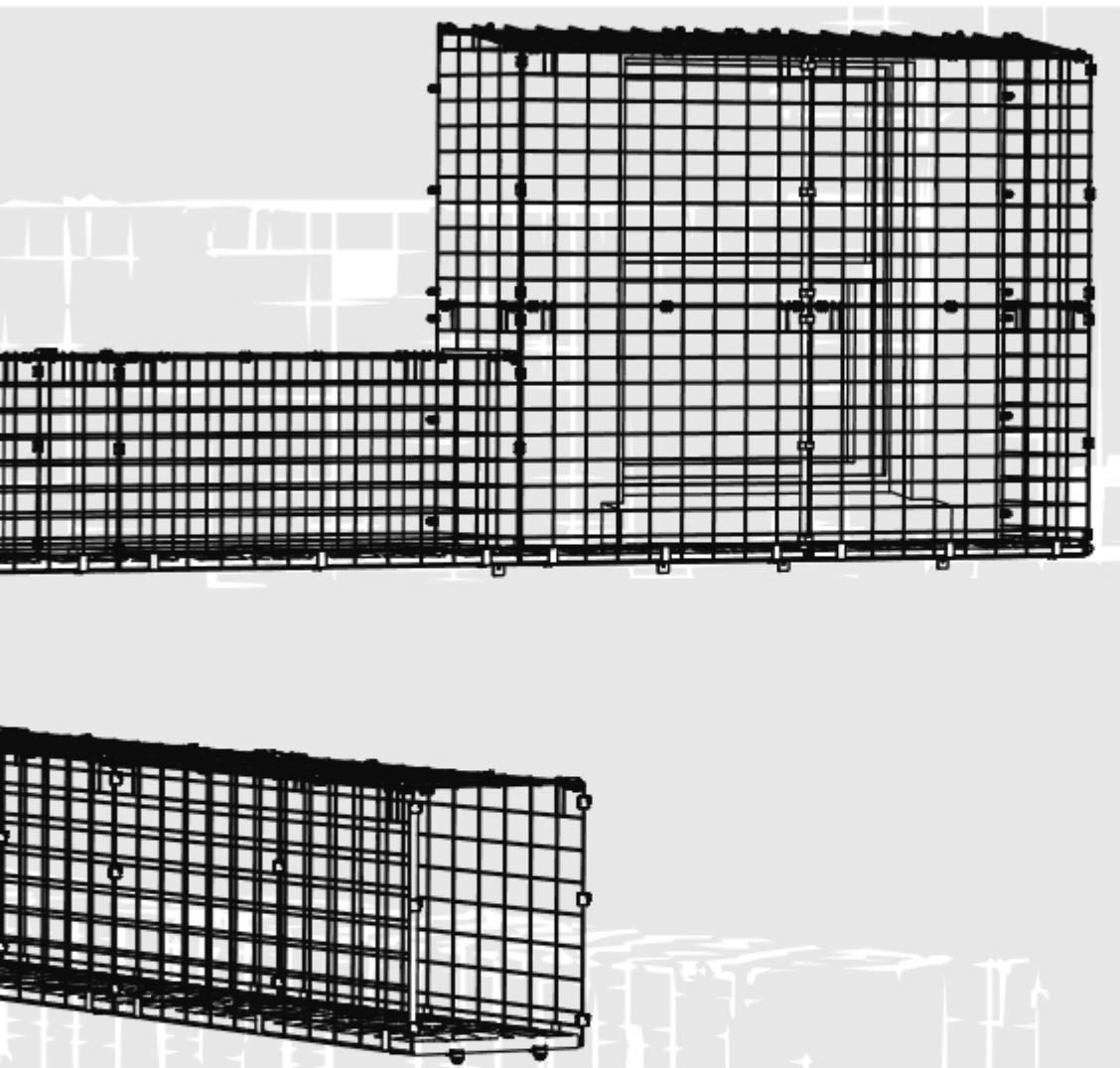


Per tunnel to tunnel join



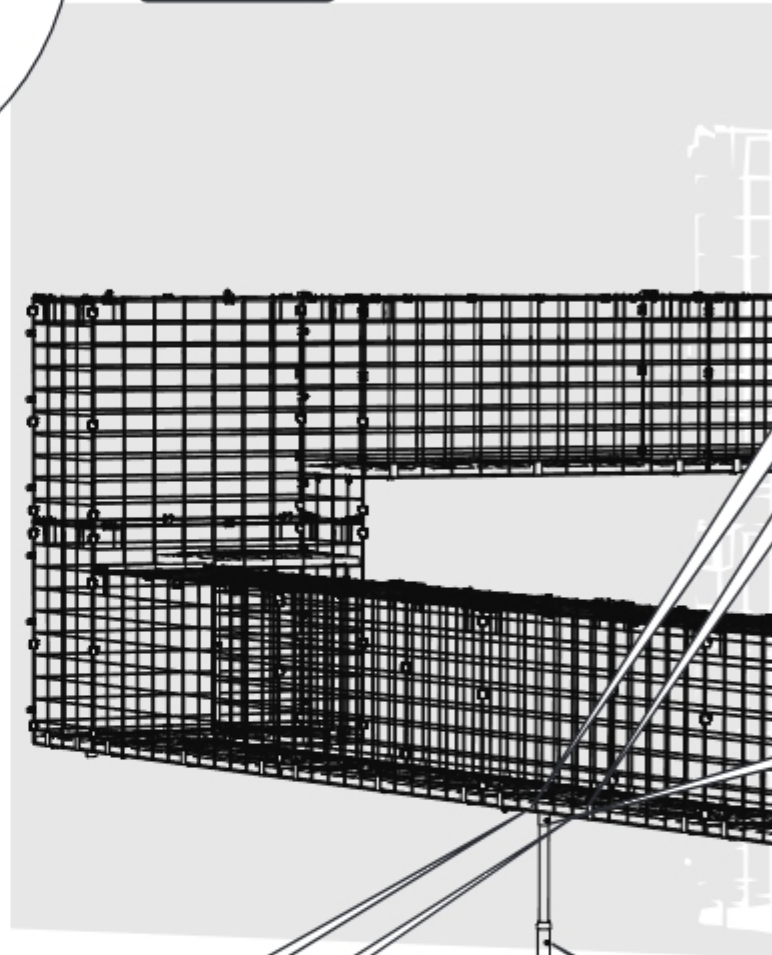
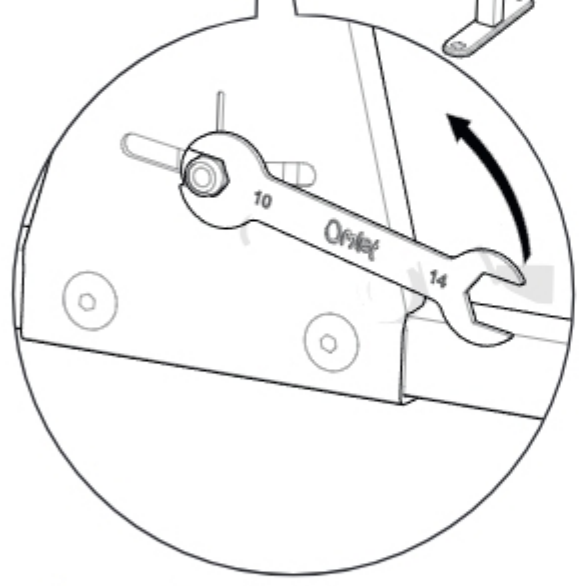
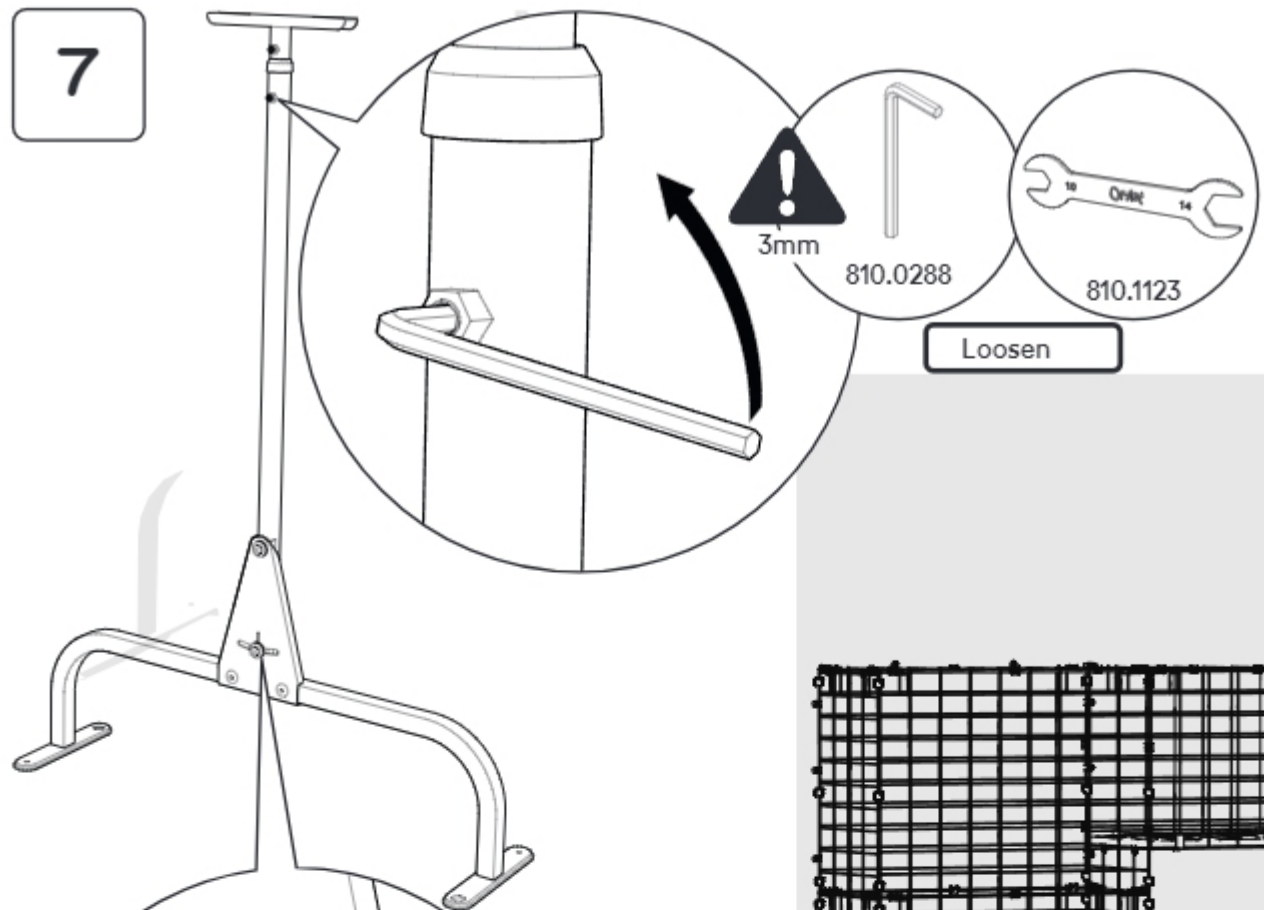




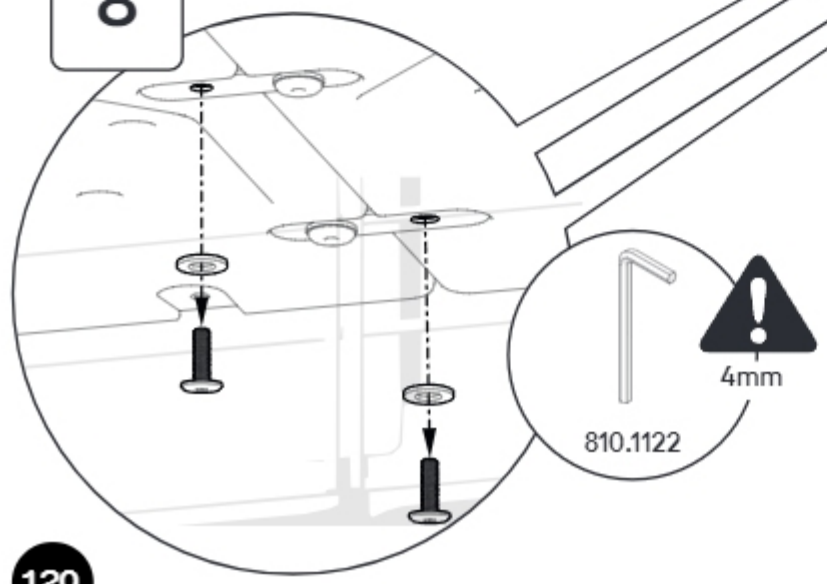


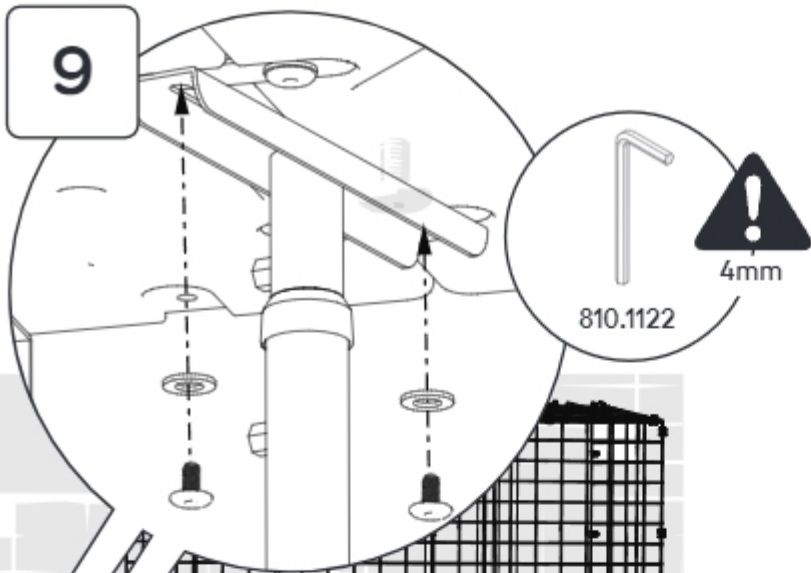



7

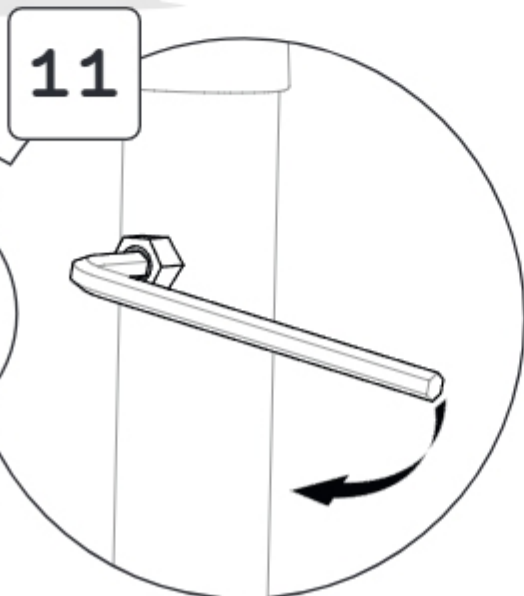
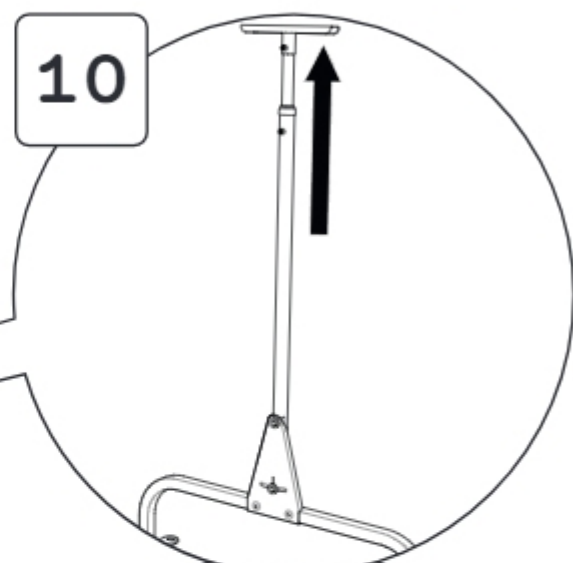


8

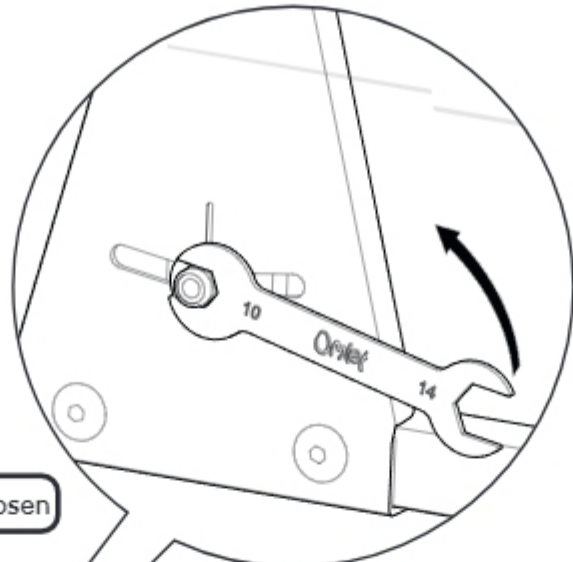




Max height 140 cm / 55" - further extension will cause loss of stability. 



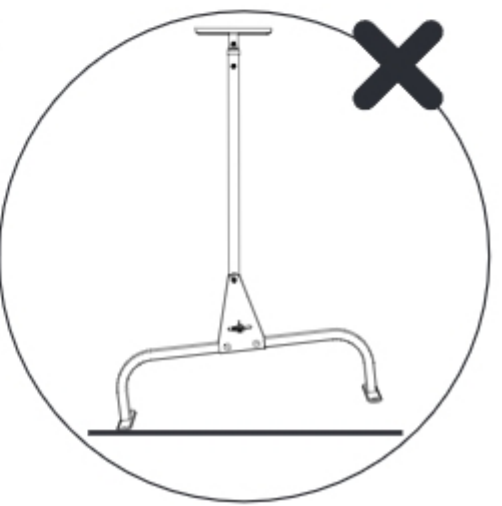
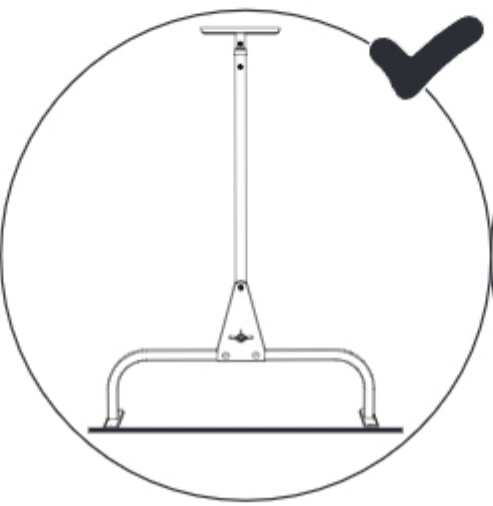
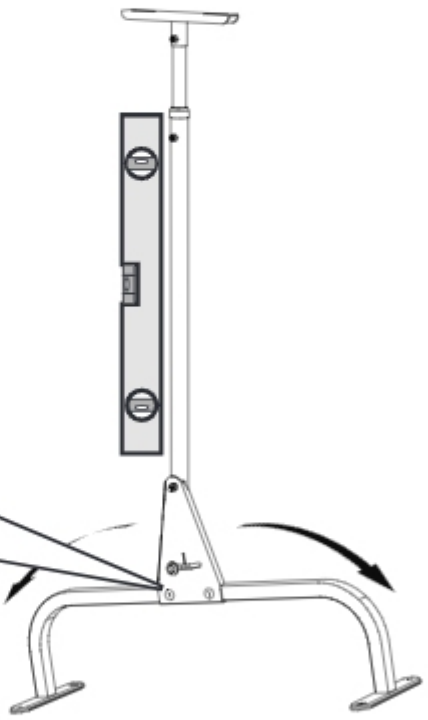
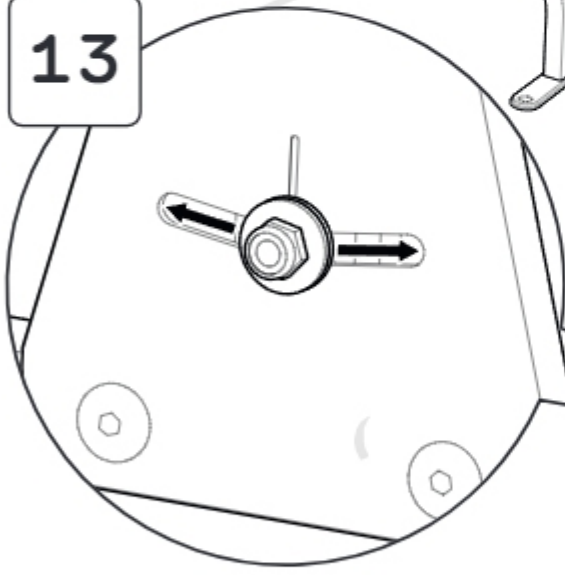
12



Loosen

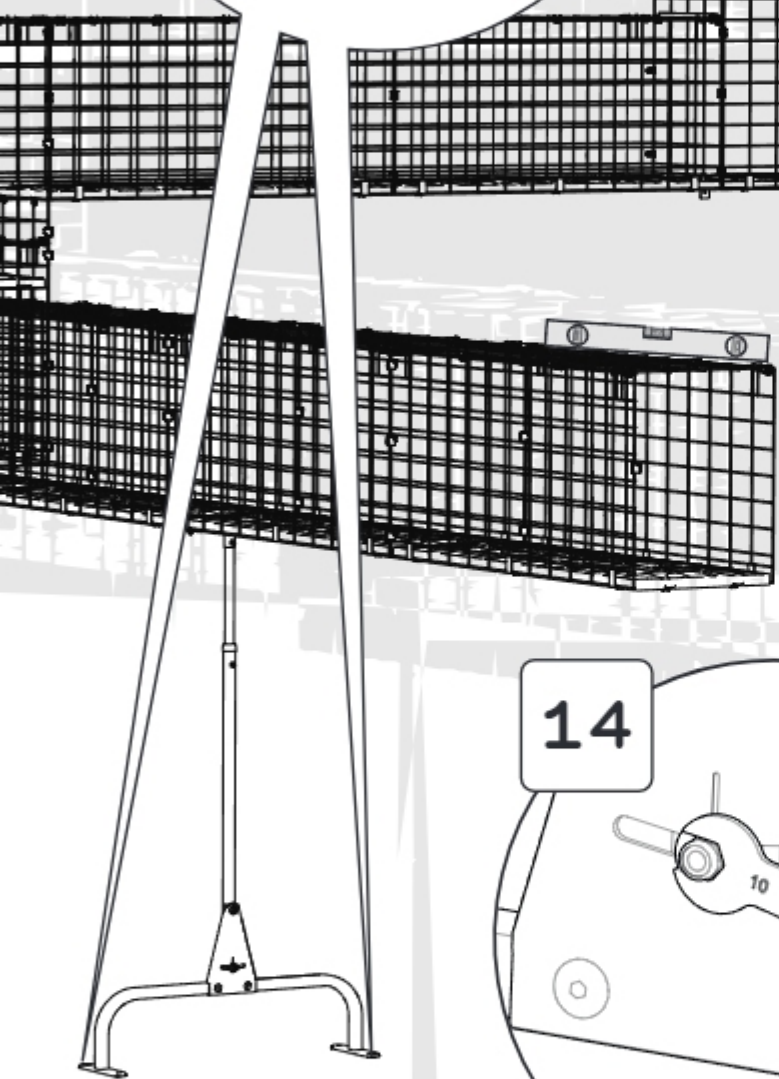
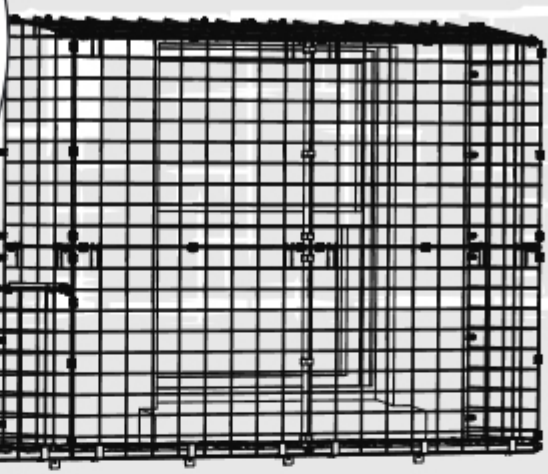
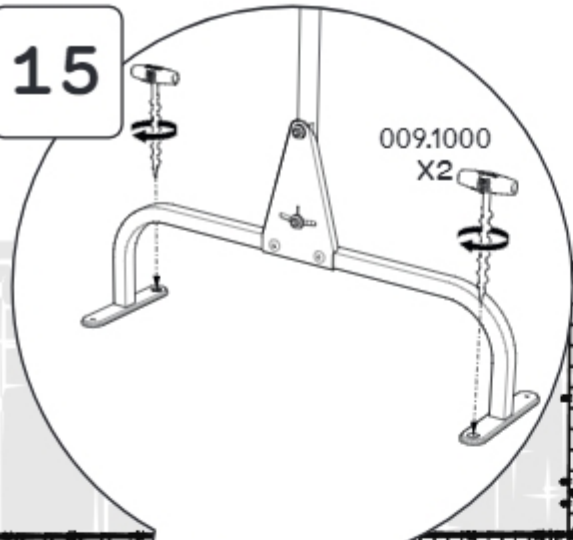


13



15

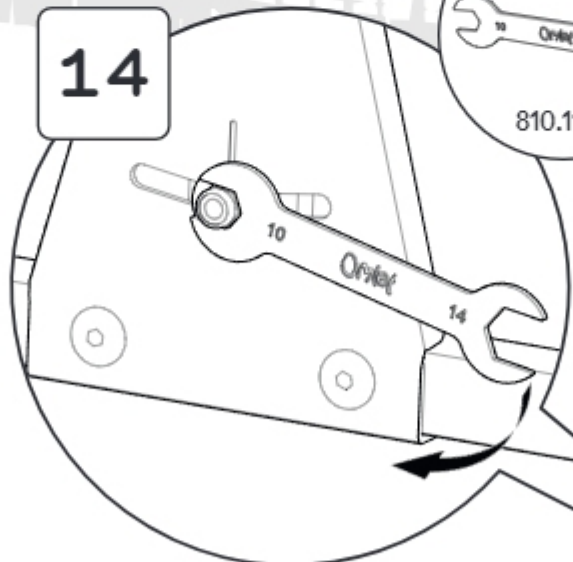
009.1000  
X2



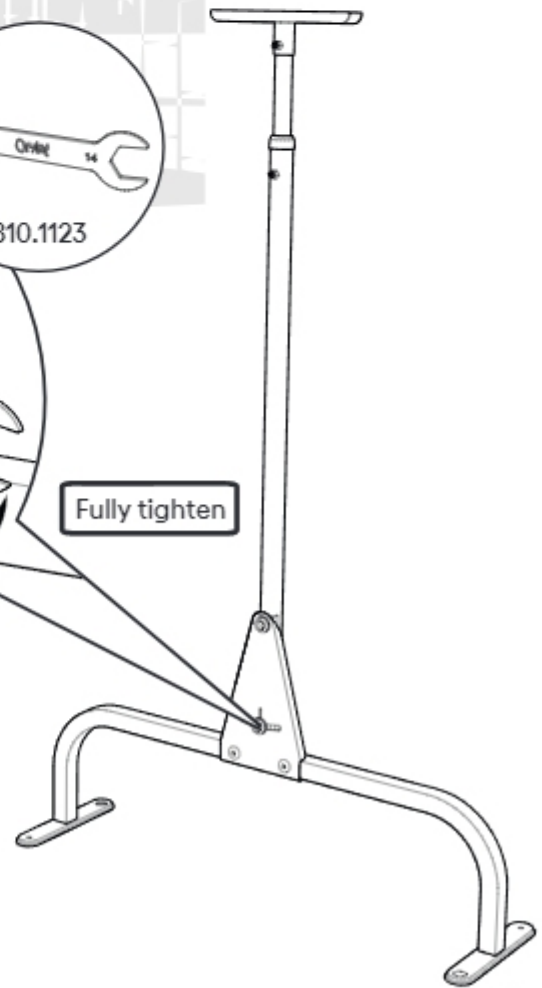
14

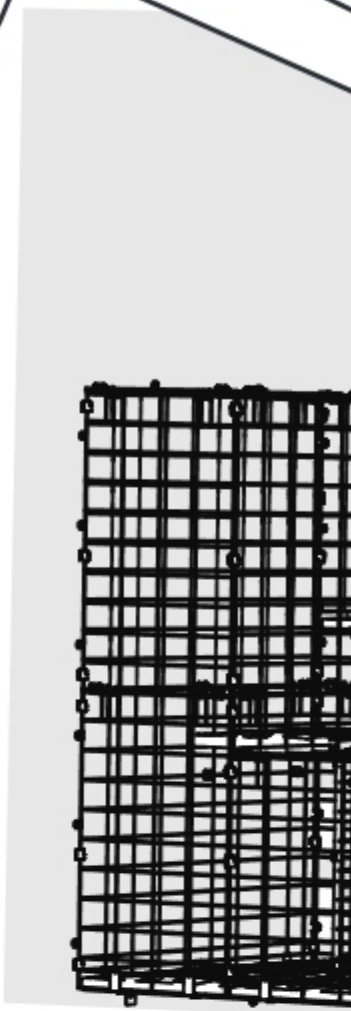
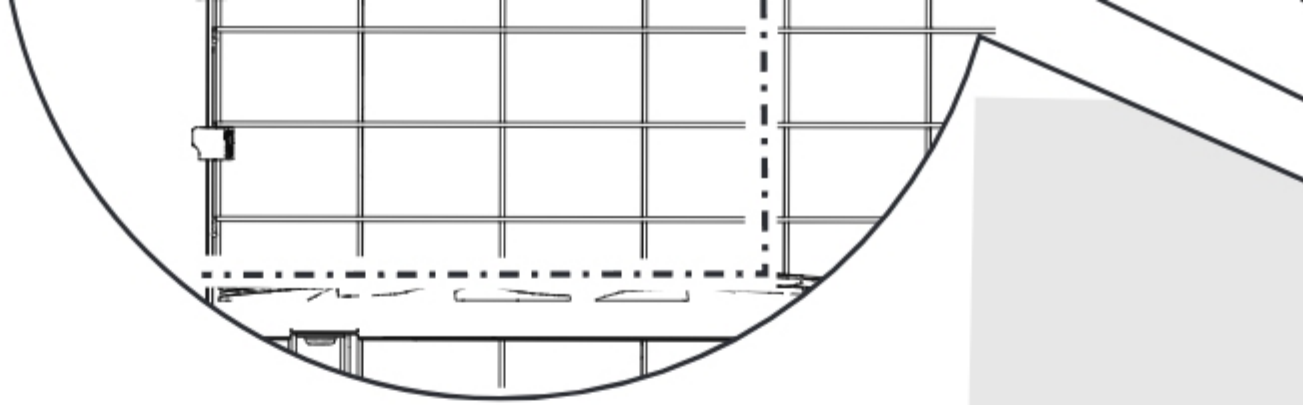


810.1123

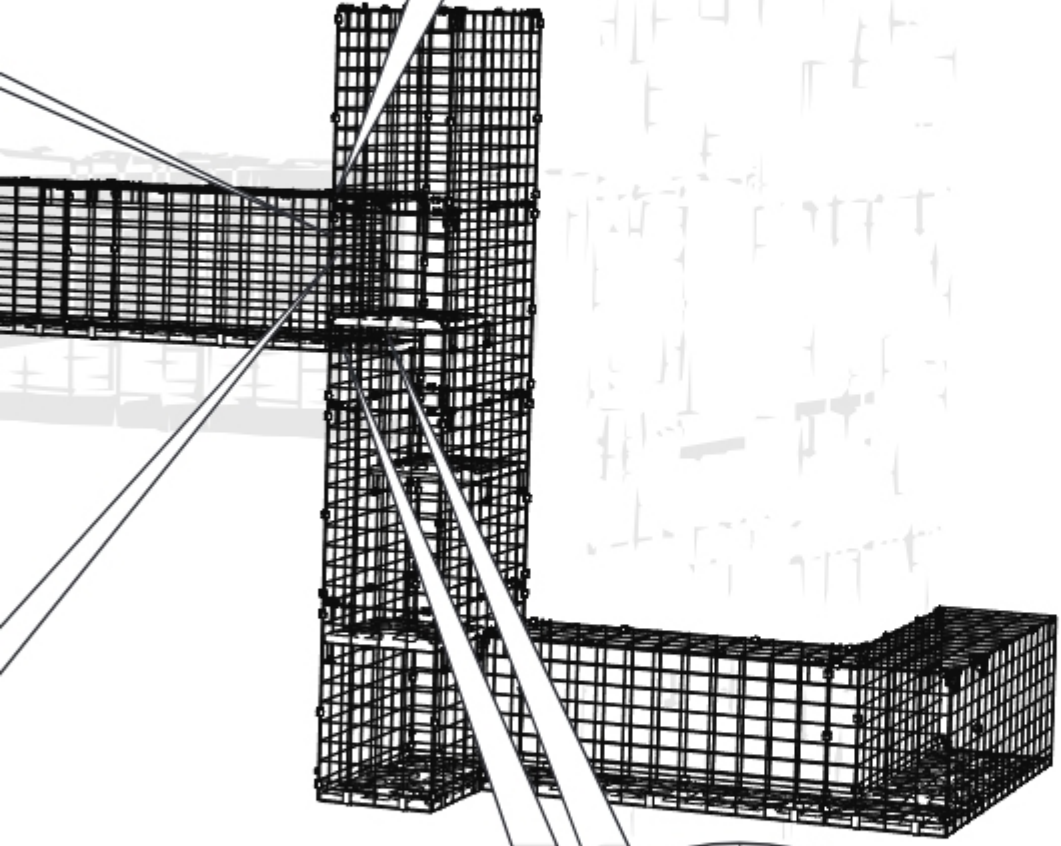
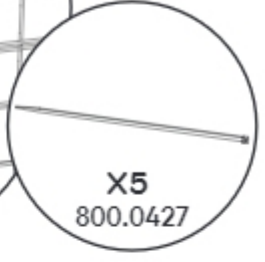
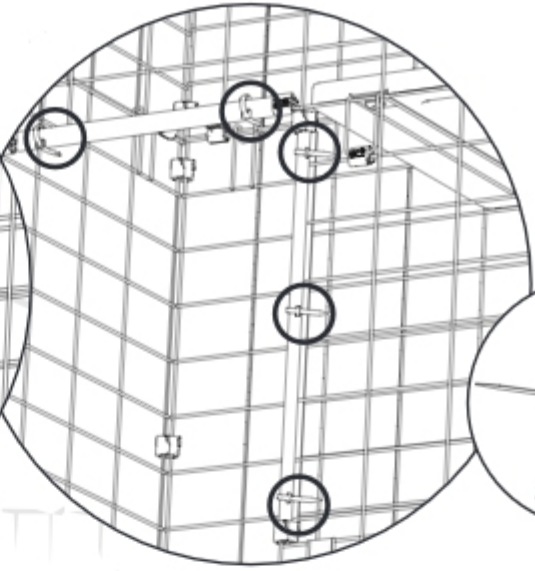
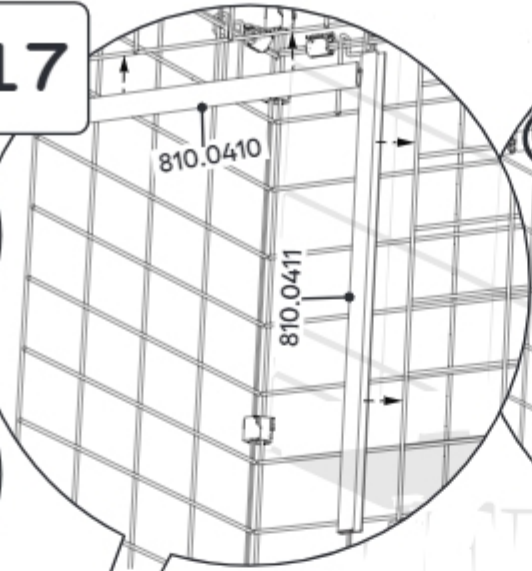


Fully tighten

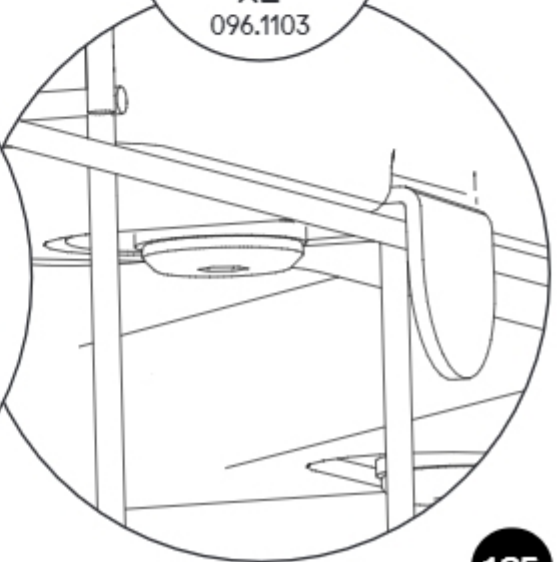
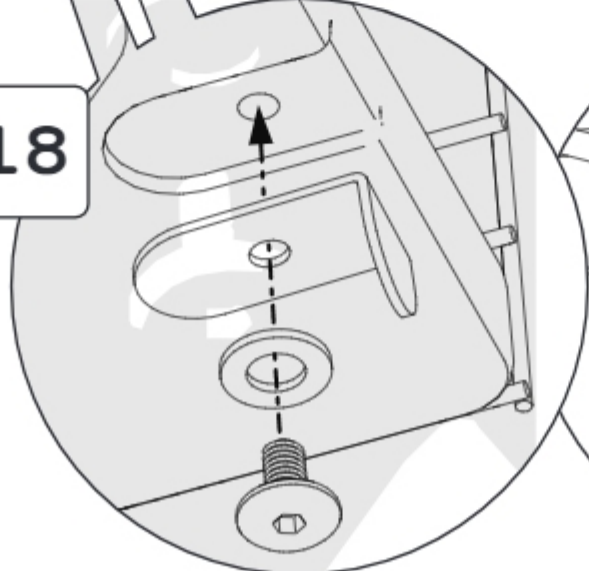




17

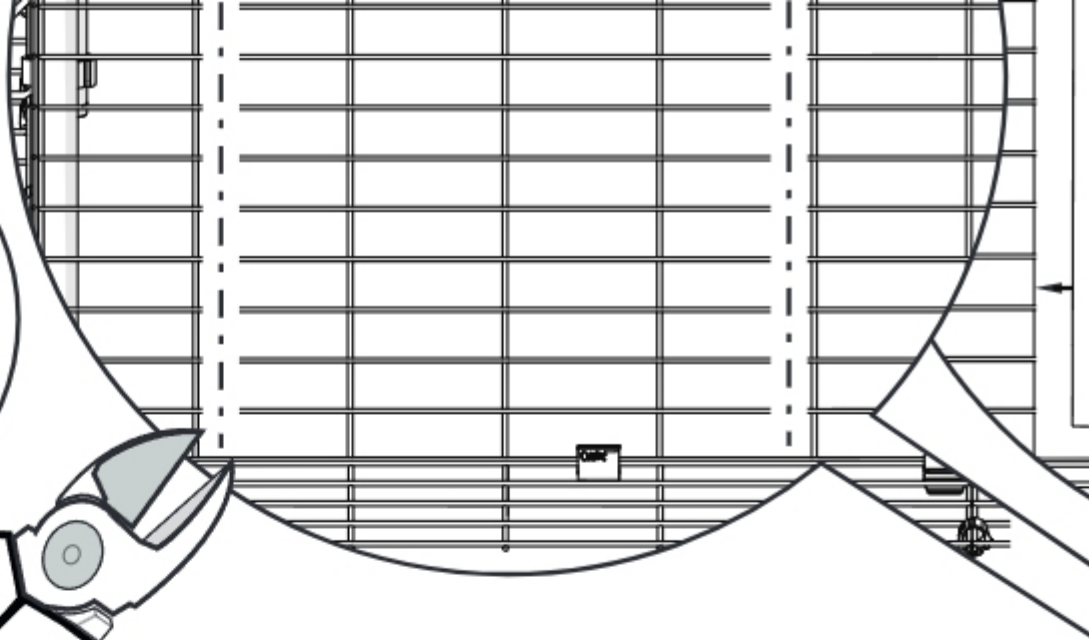
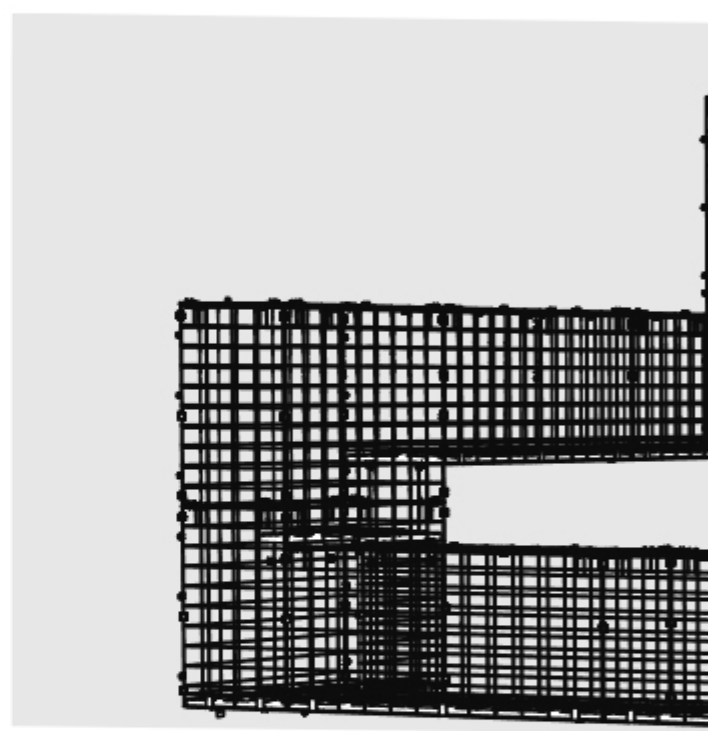
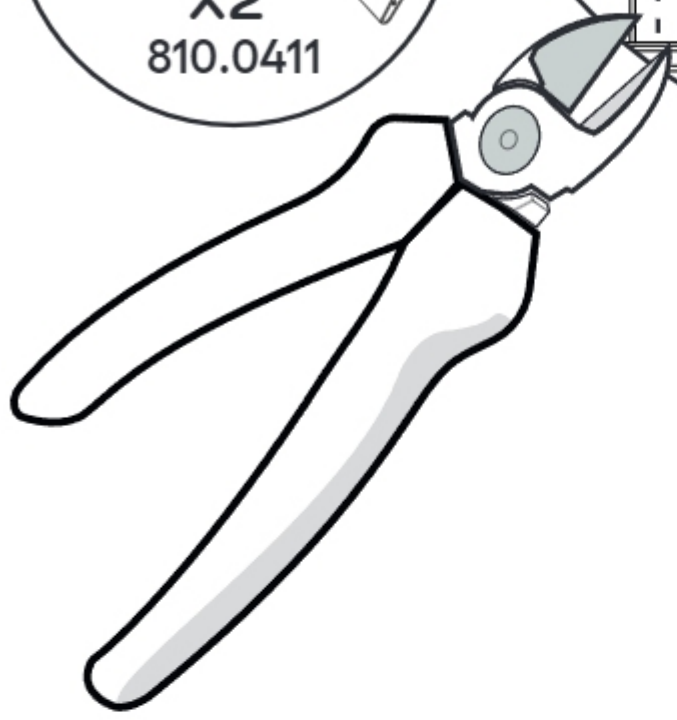


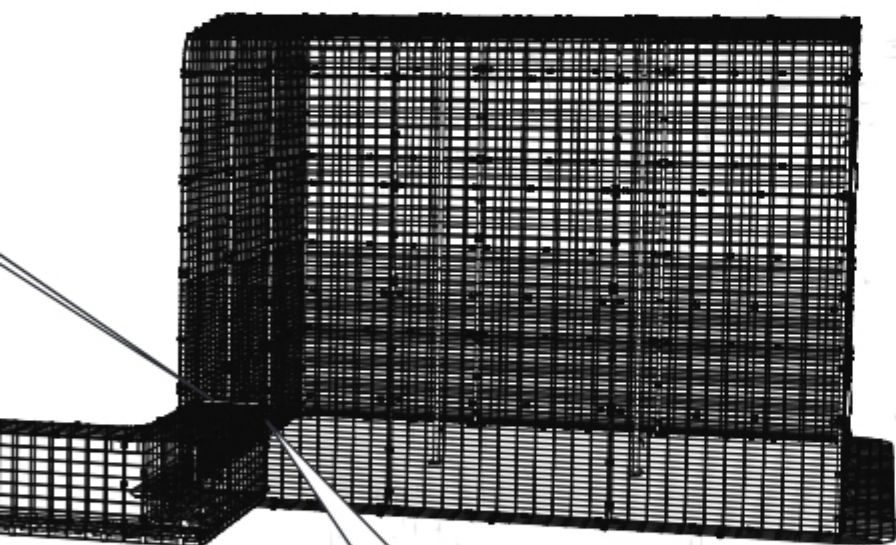
18



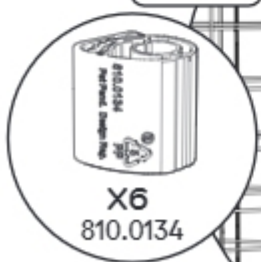
X1  
810.0410

X2  
810.0411

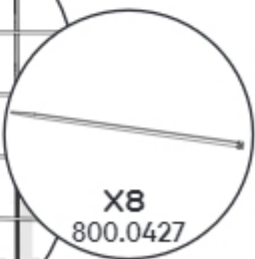
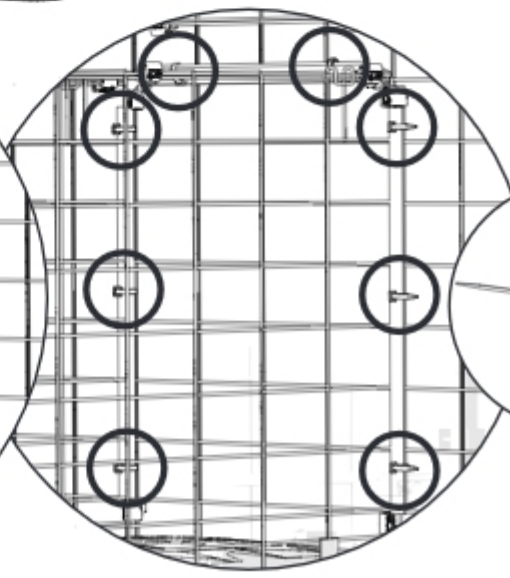
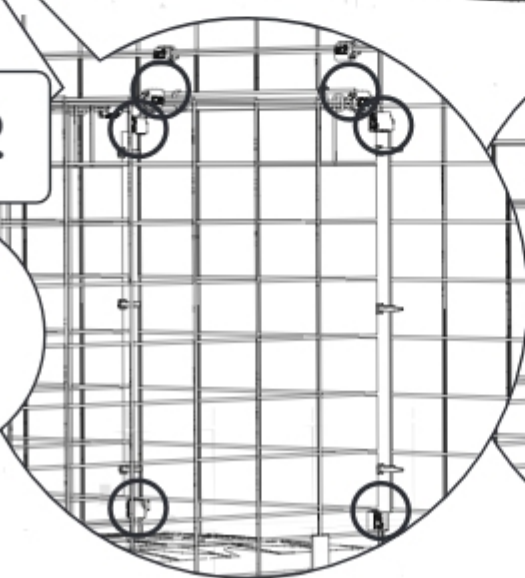




2



X6  
810.0134



X8  
800.0427