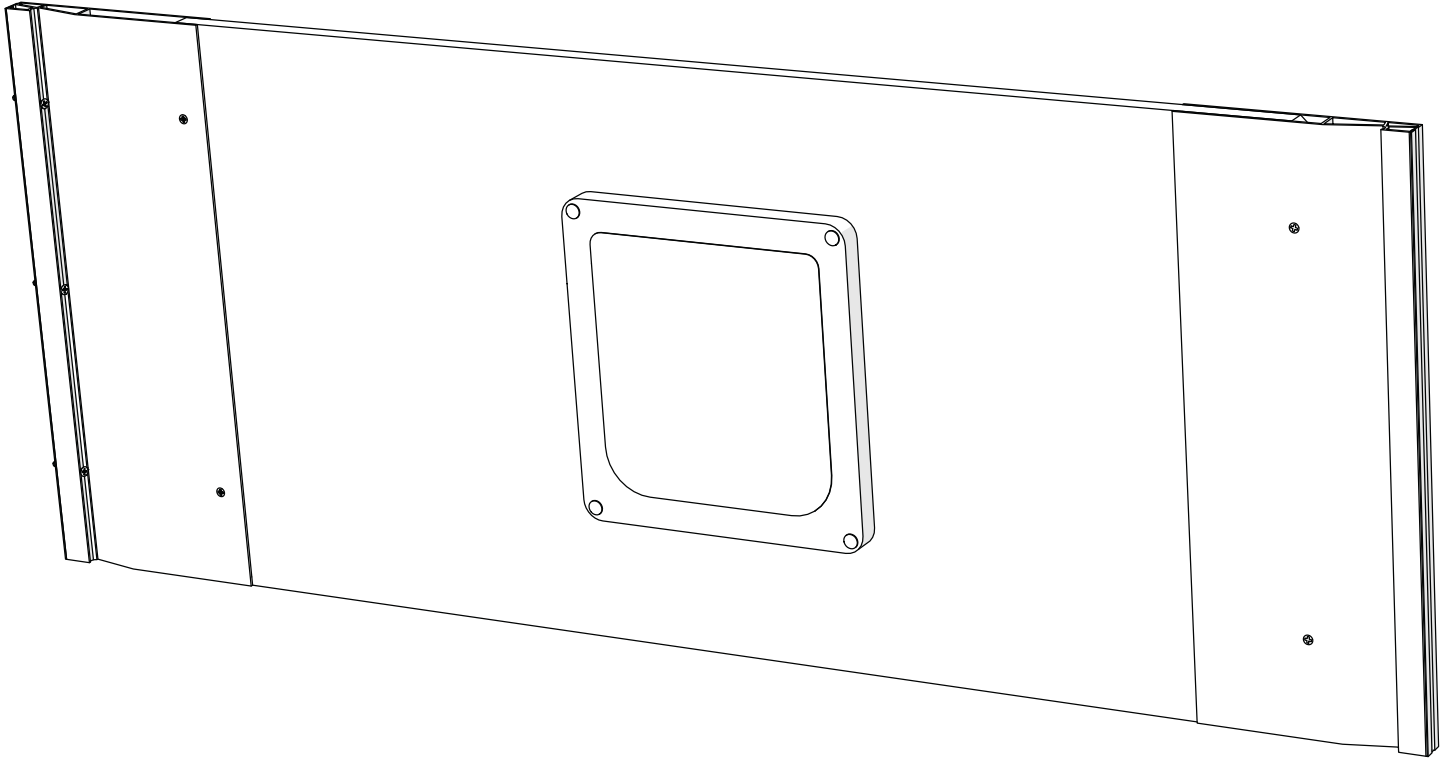


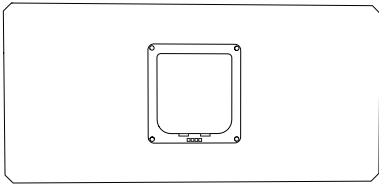
WINDOW BOARD

Module Assembly

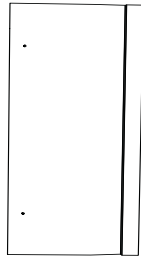


What you have received

096.0035 Boxed Window Board



X1
Window Board and
Cat Door Assembly
096.0015

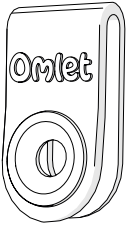


X2
Window Board Extrusion
with Insulation
096.0018

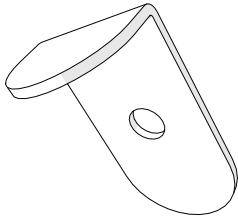


X1
Foam Top
Insulation Strip
096.1113

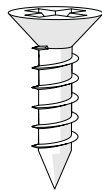
096.0111 : Fixings Pack Window Board



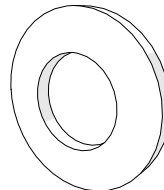
X8
Wall Mounting Clip
096.1045



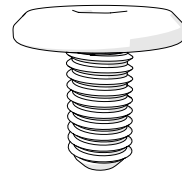
X2
Connection Hooks
096.1103



X16
Self tapping
plastite screw
800.0314



X2
Nylon Washer M6
800.0323

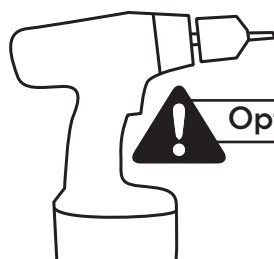
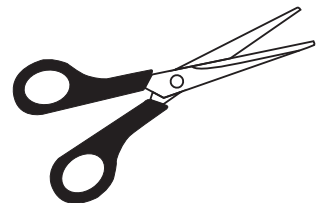
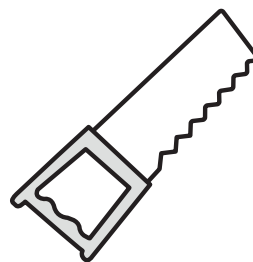
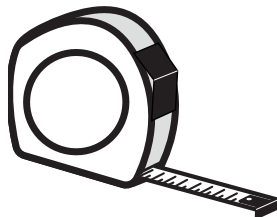
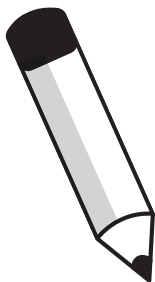


X2
M6 x 12mm Bolt
800.0353

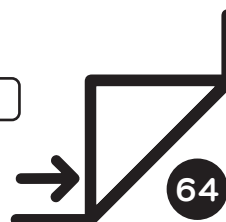


X6
3 x 35mm
Woodscrew
800.0476

You will need...

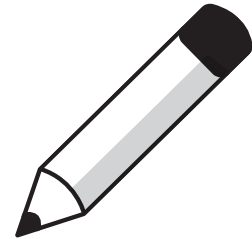
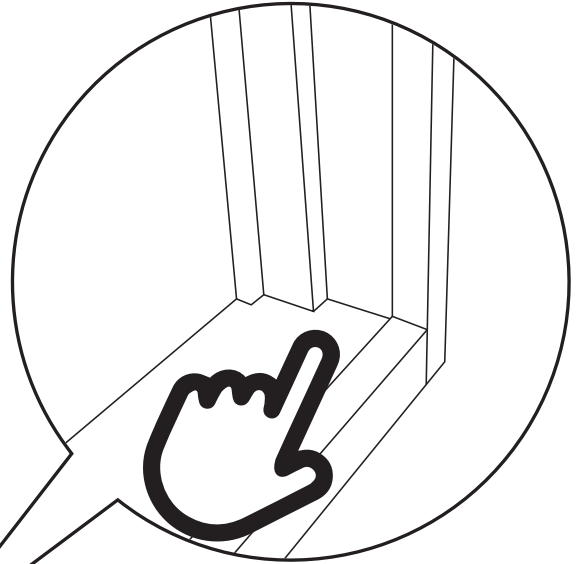
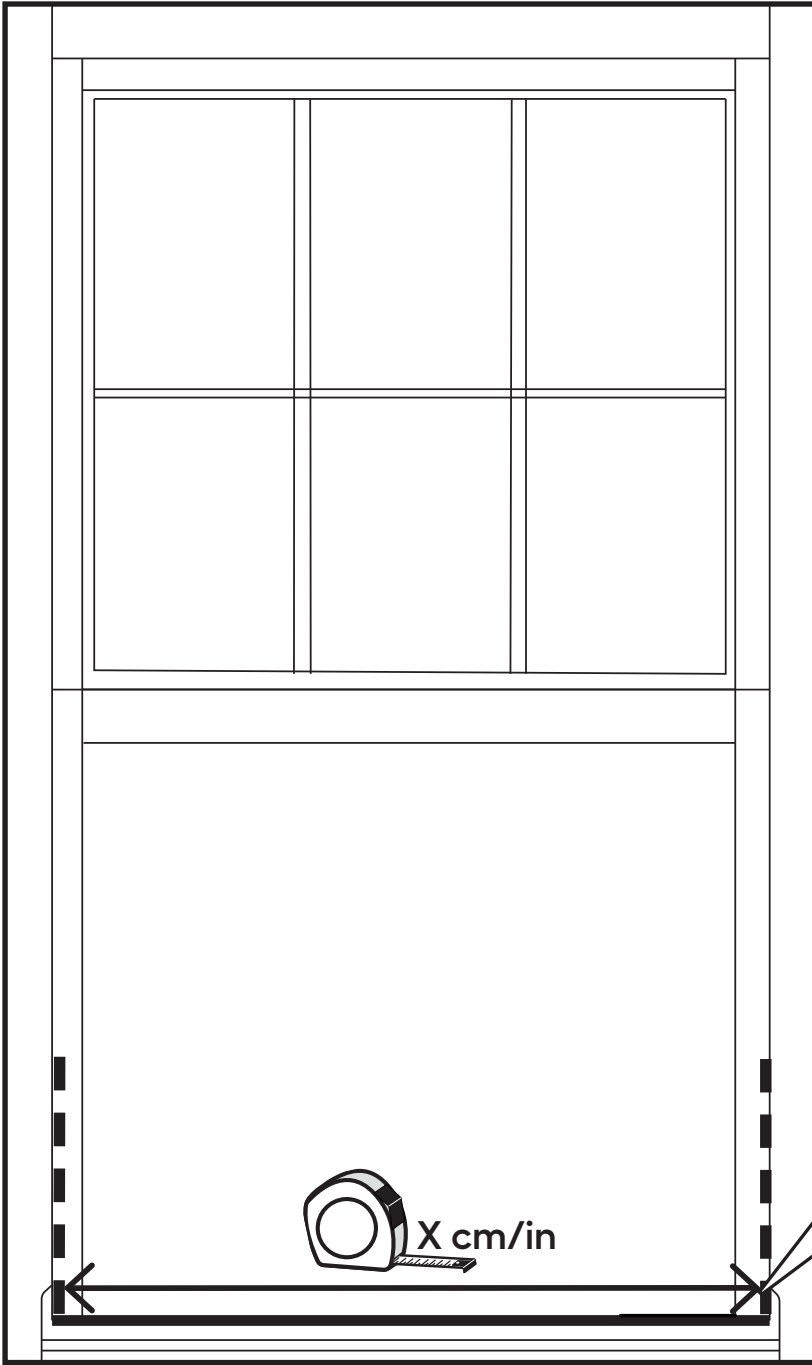


Optional



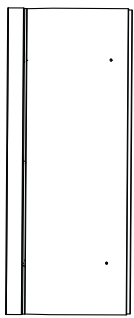
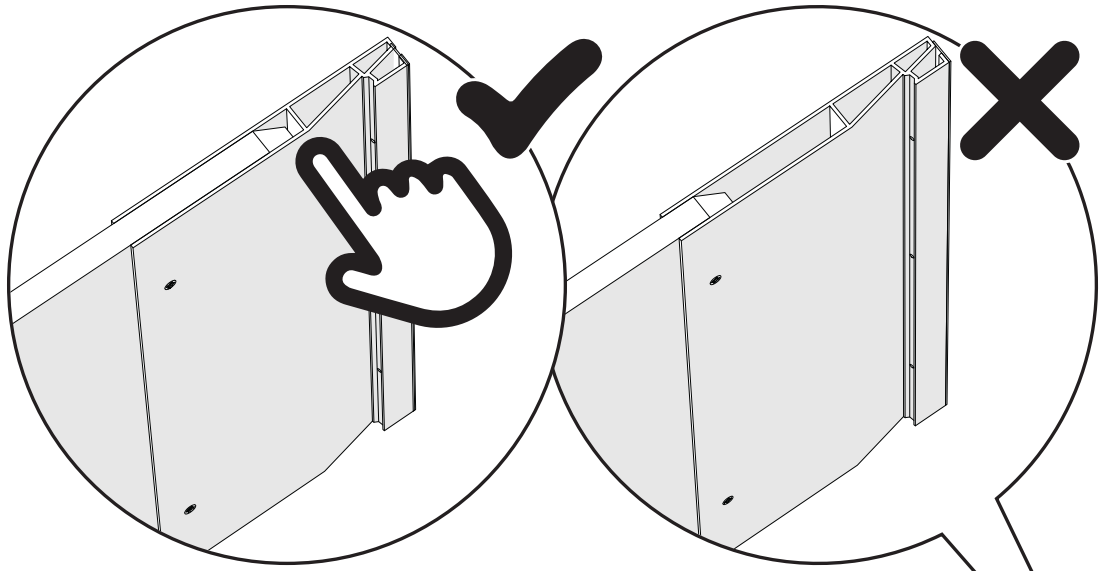
1

Please measure from the inside of the window track

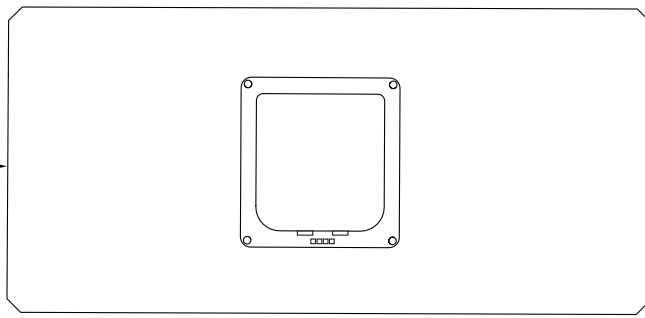


X =

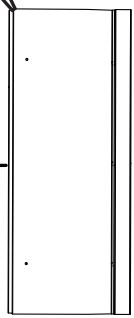
2



096.0018

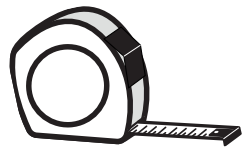


096.0015

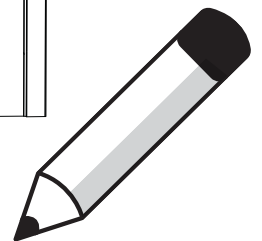
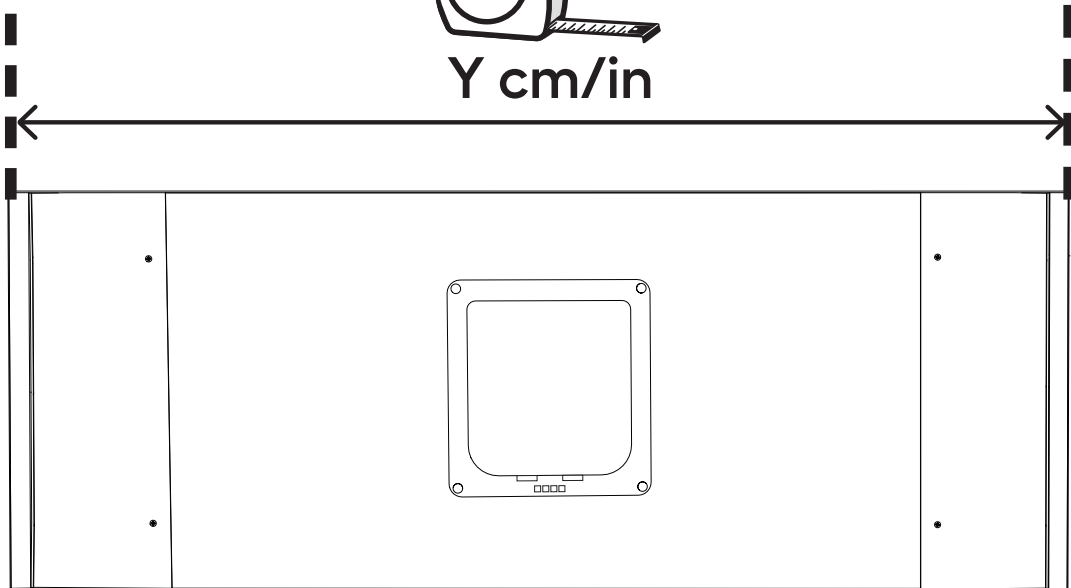


096.0018

3

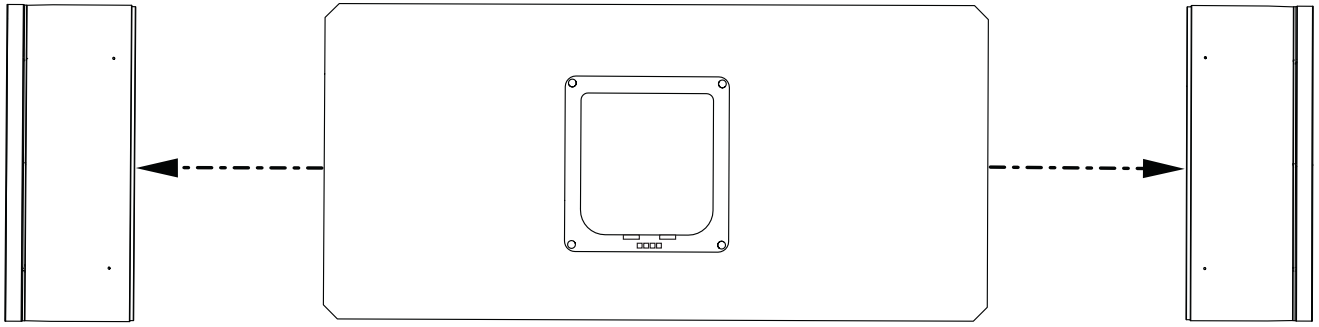


Y cm/in

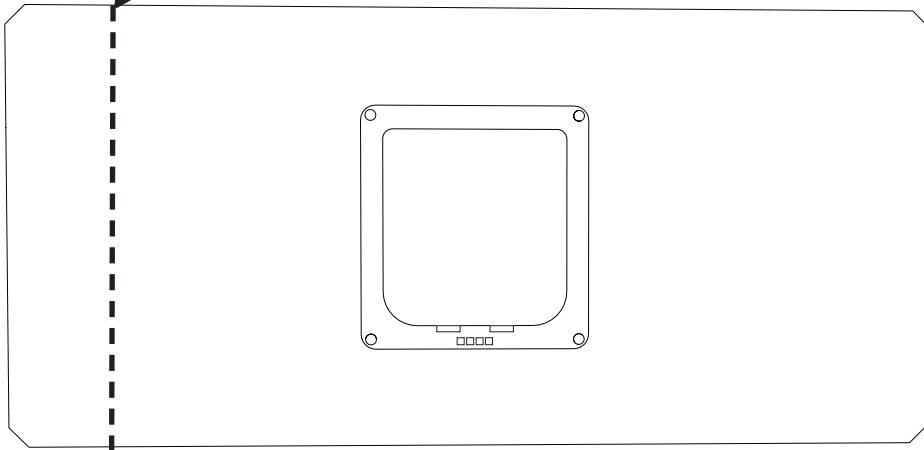
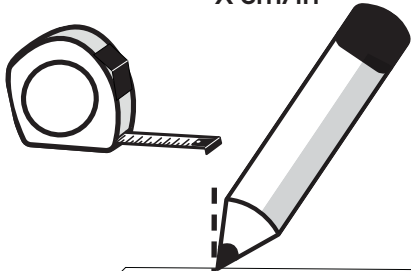
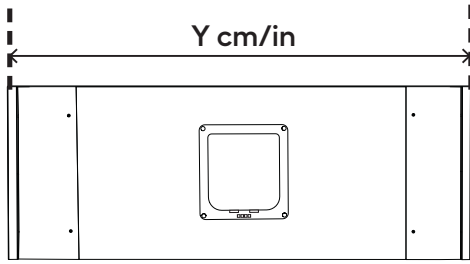
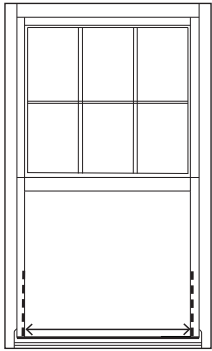


Y =

4



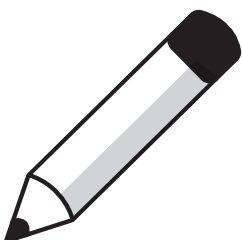
5



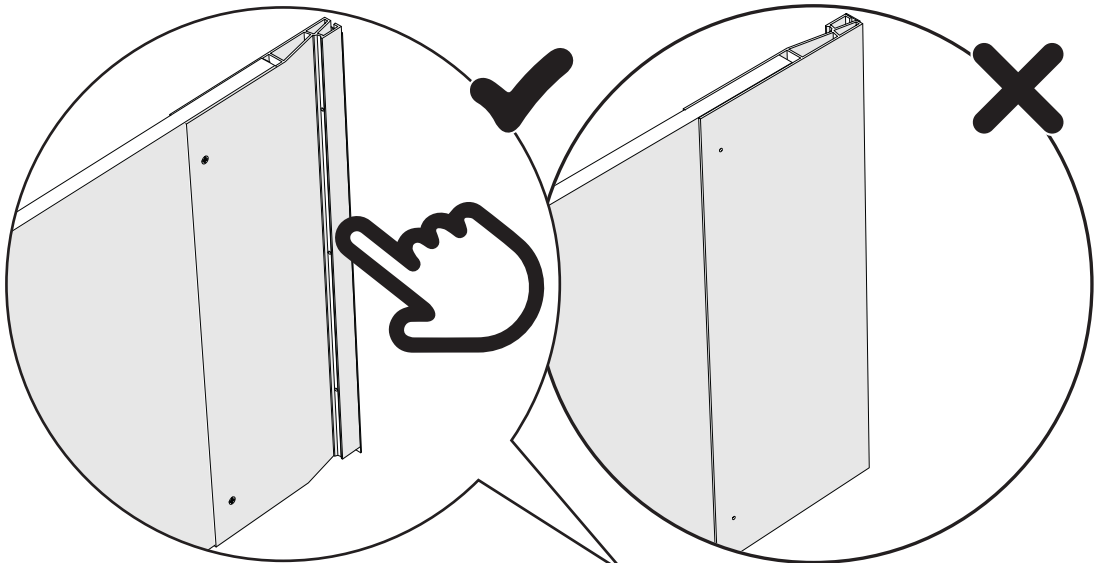
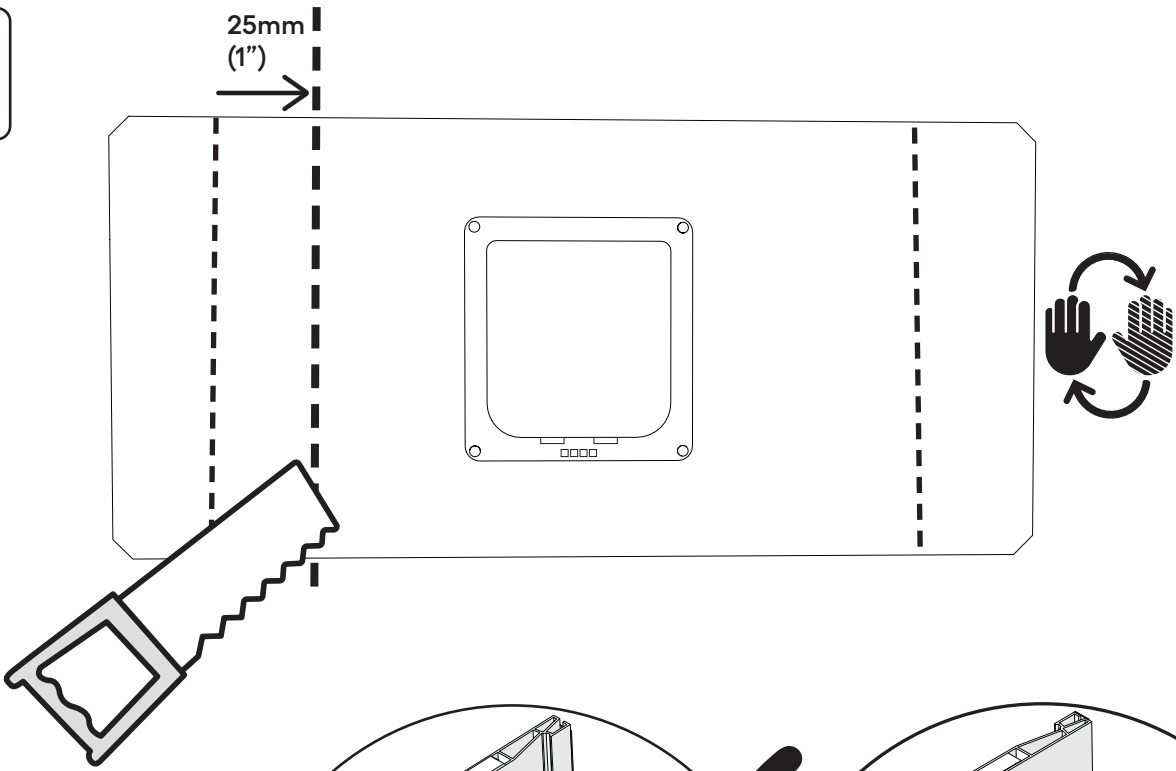
$$(Y-X) \div 2 = Z$$



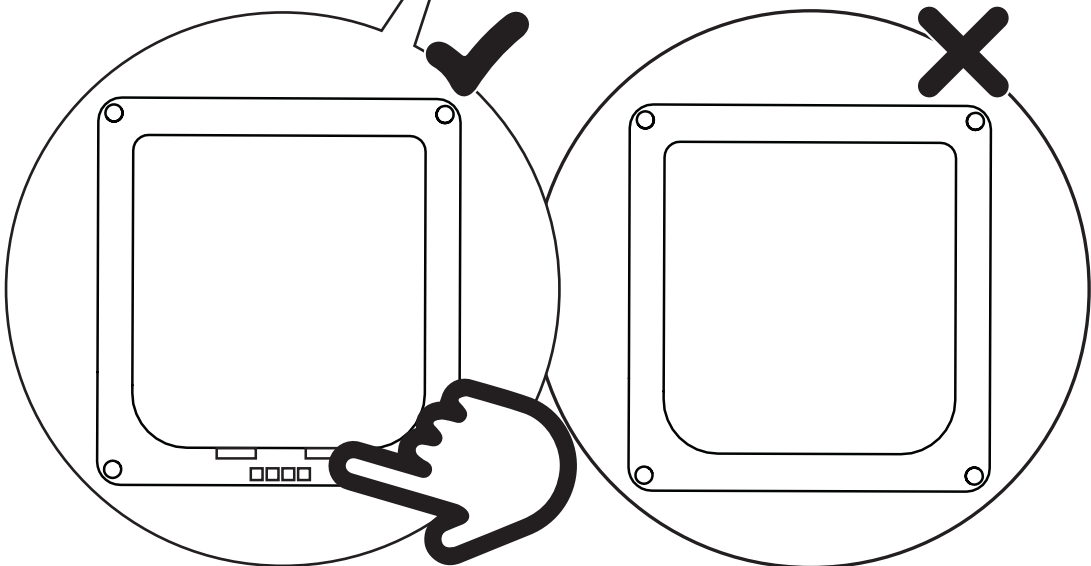
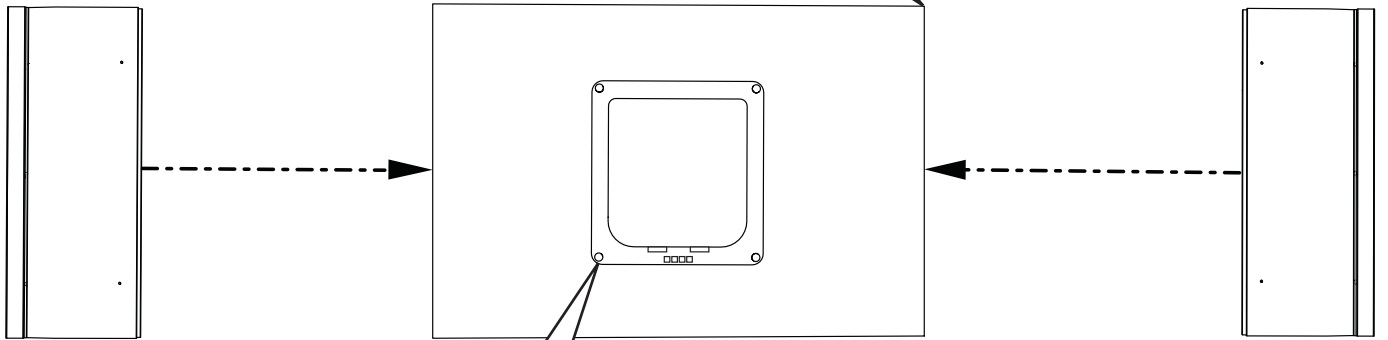
Repeat on other side


 (cm/in - cm/in) ÷ 2 = cm/in

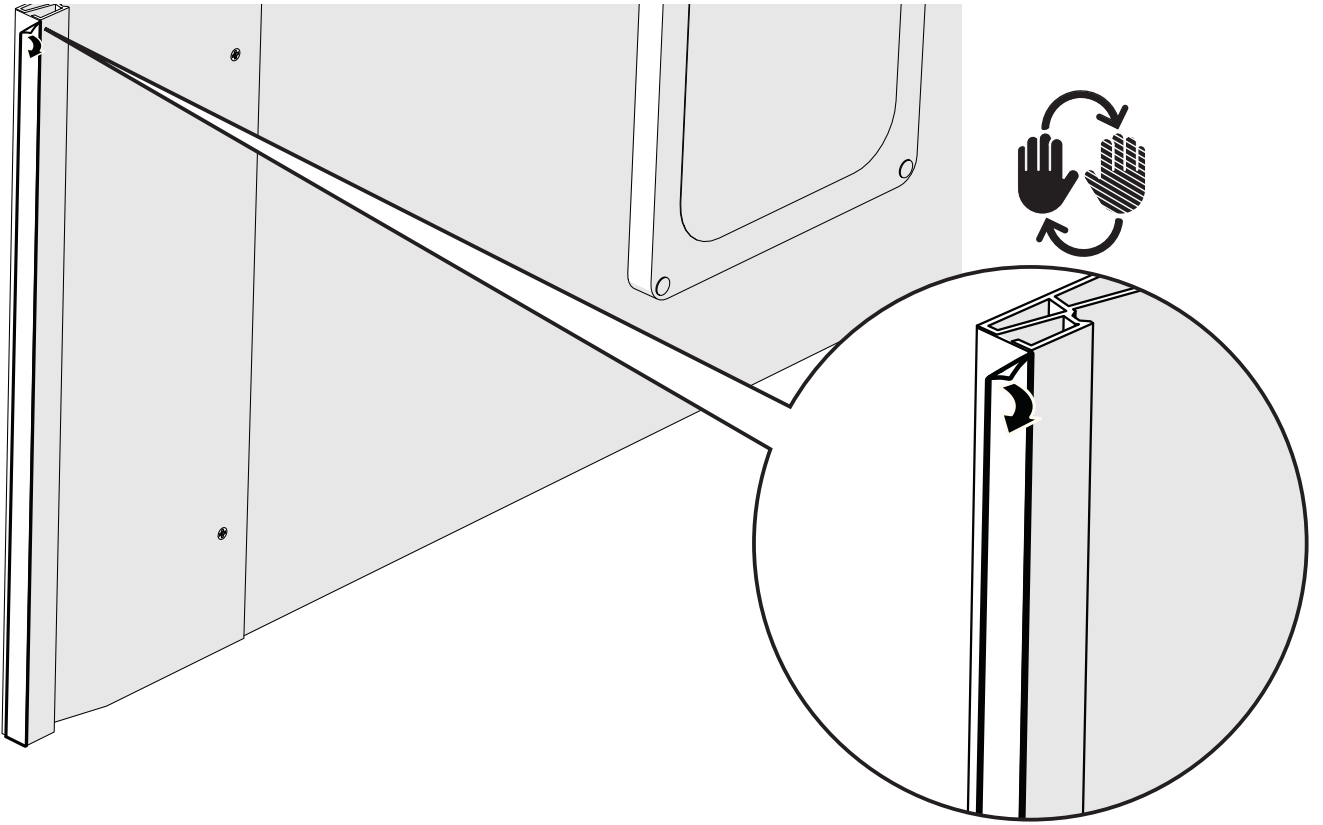
6



7

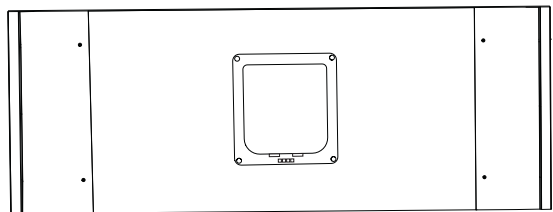
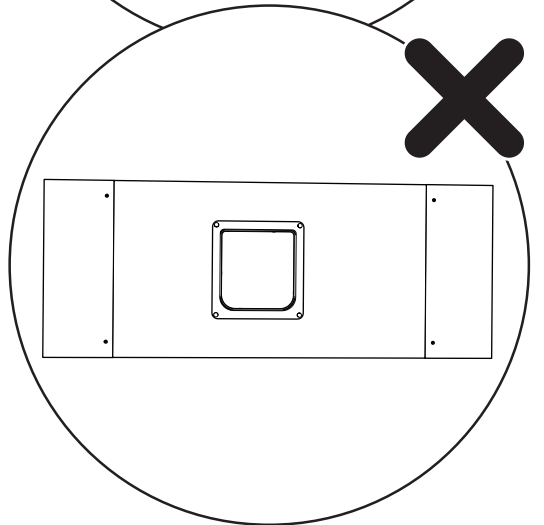
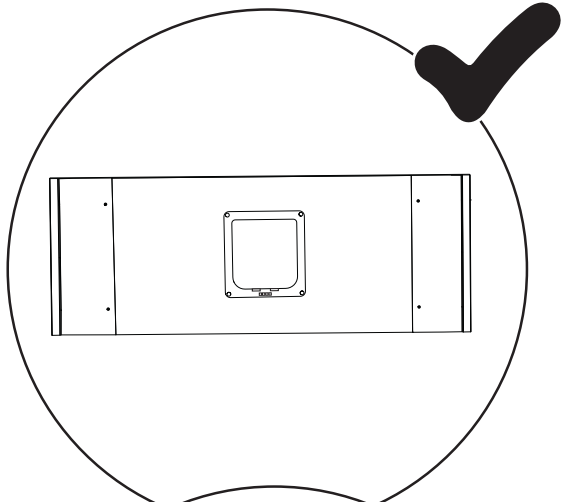
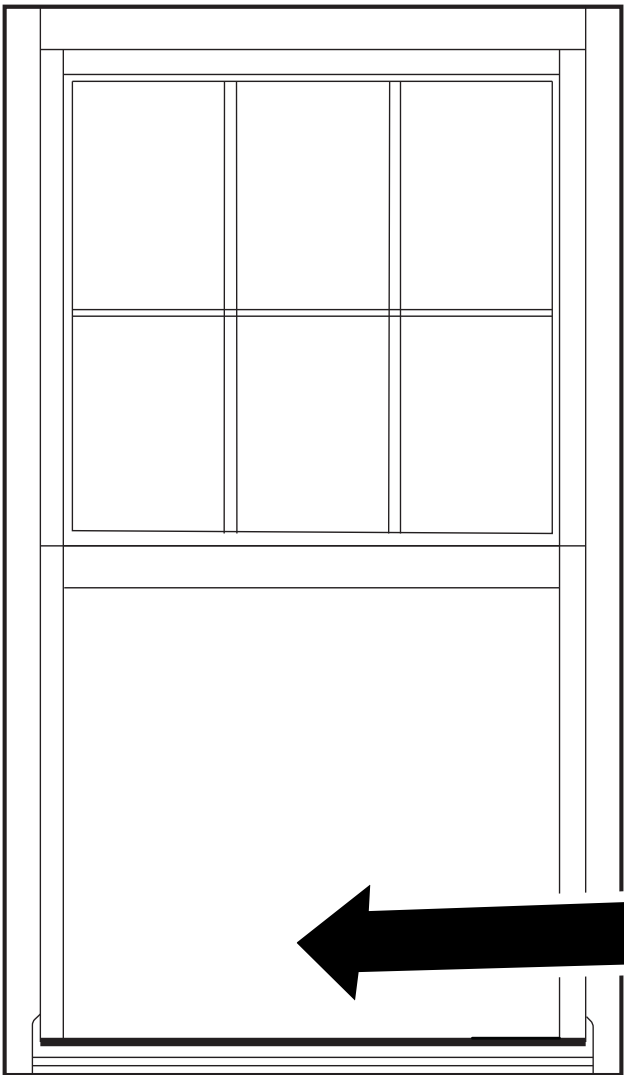


8



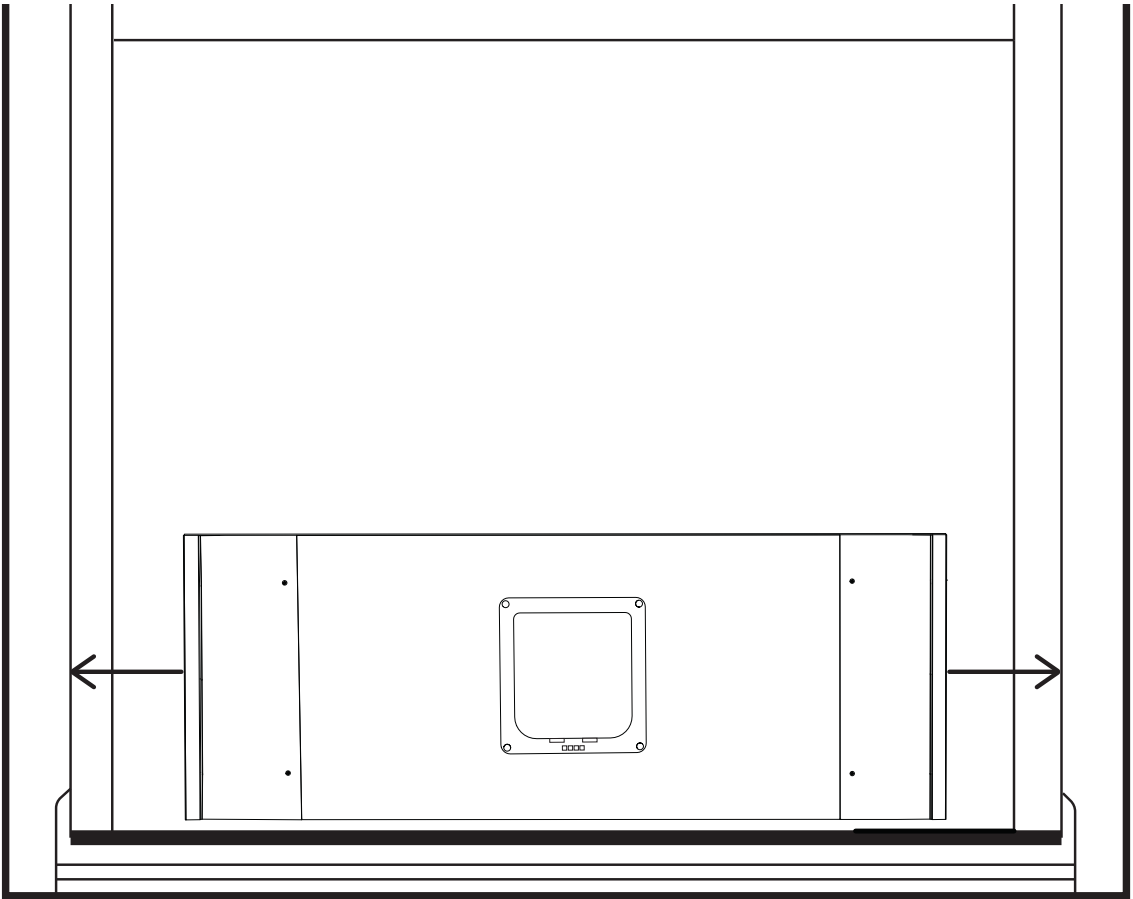
9

Inside the building

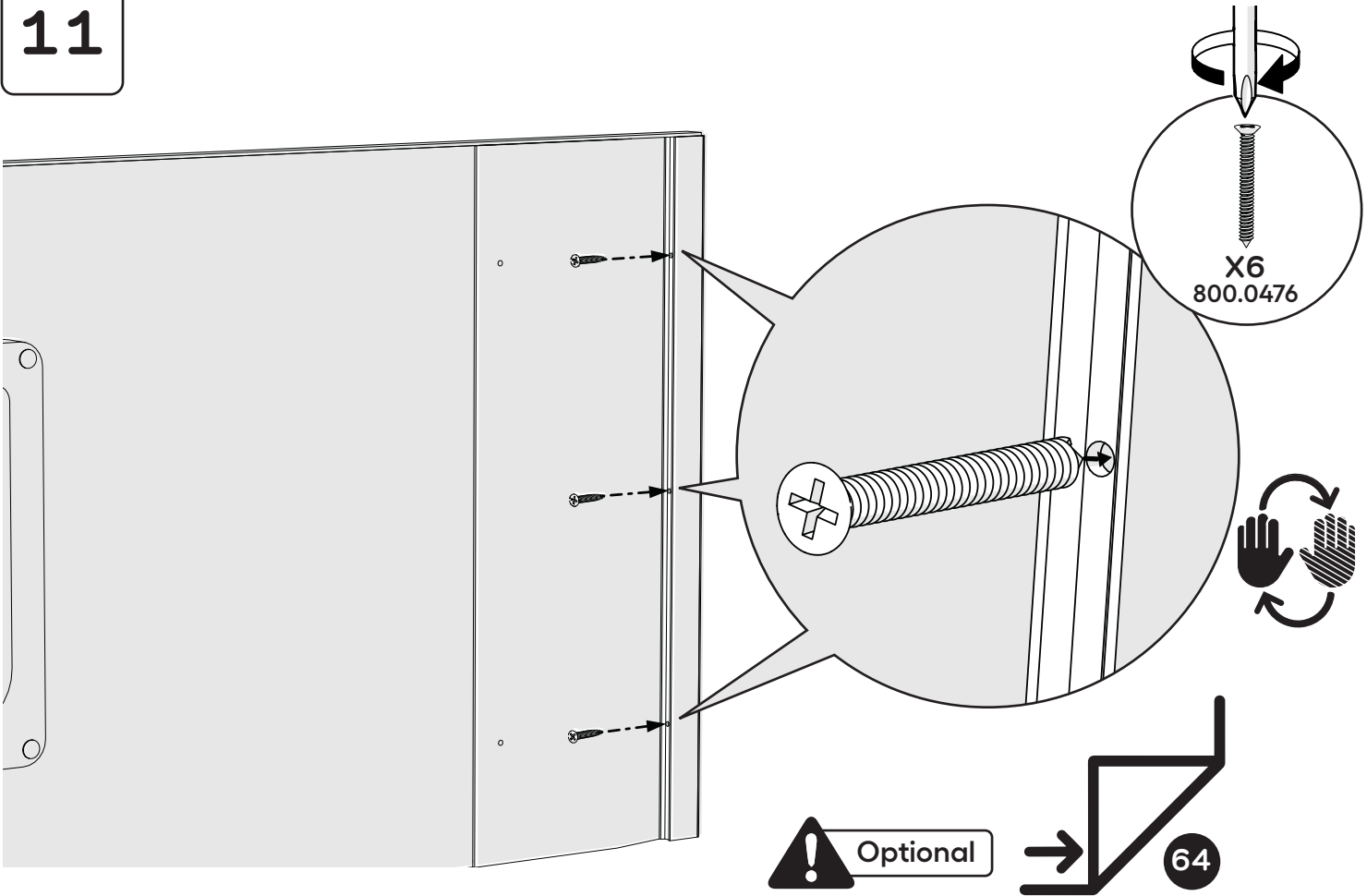


12

10

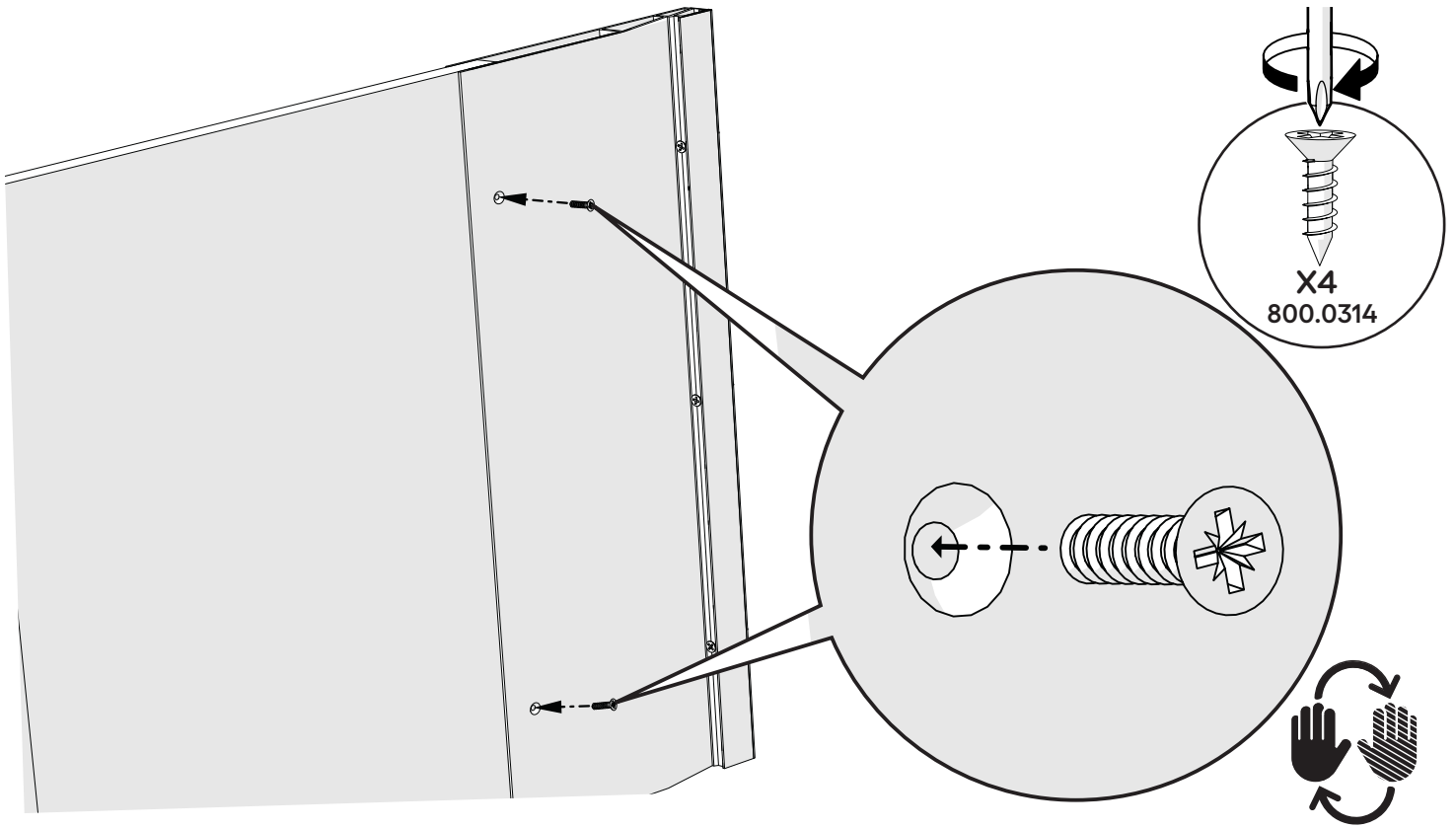


11



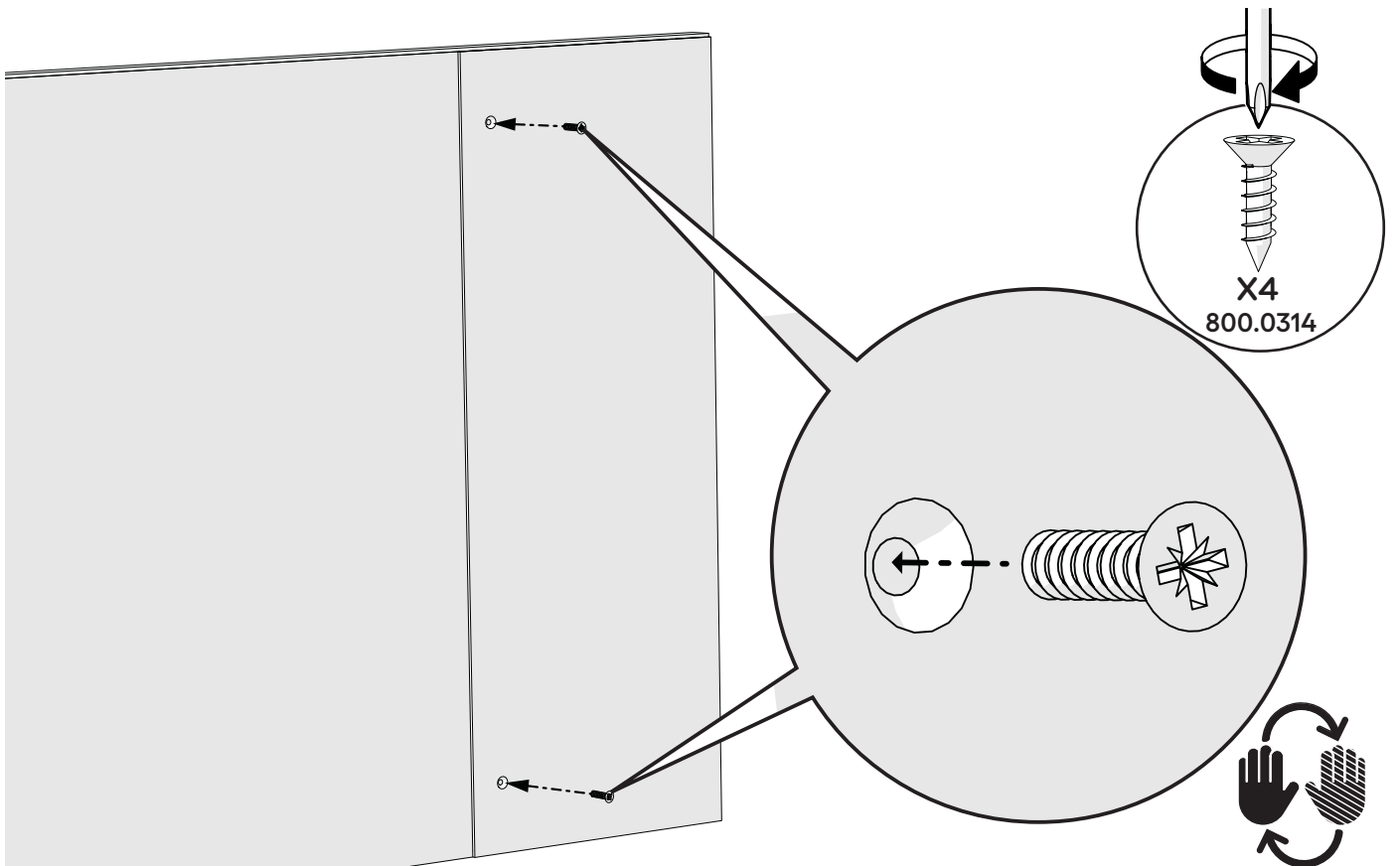
12

Inside the building



13

Outside the building



14

