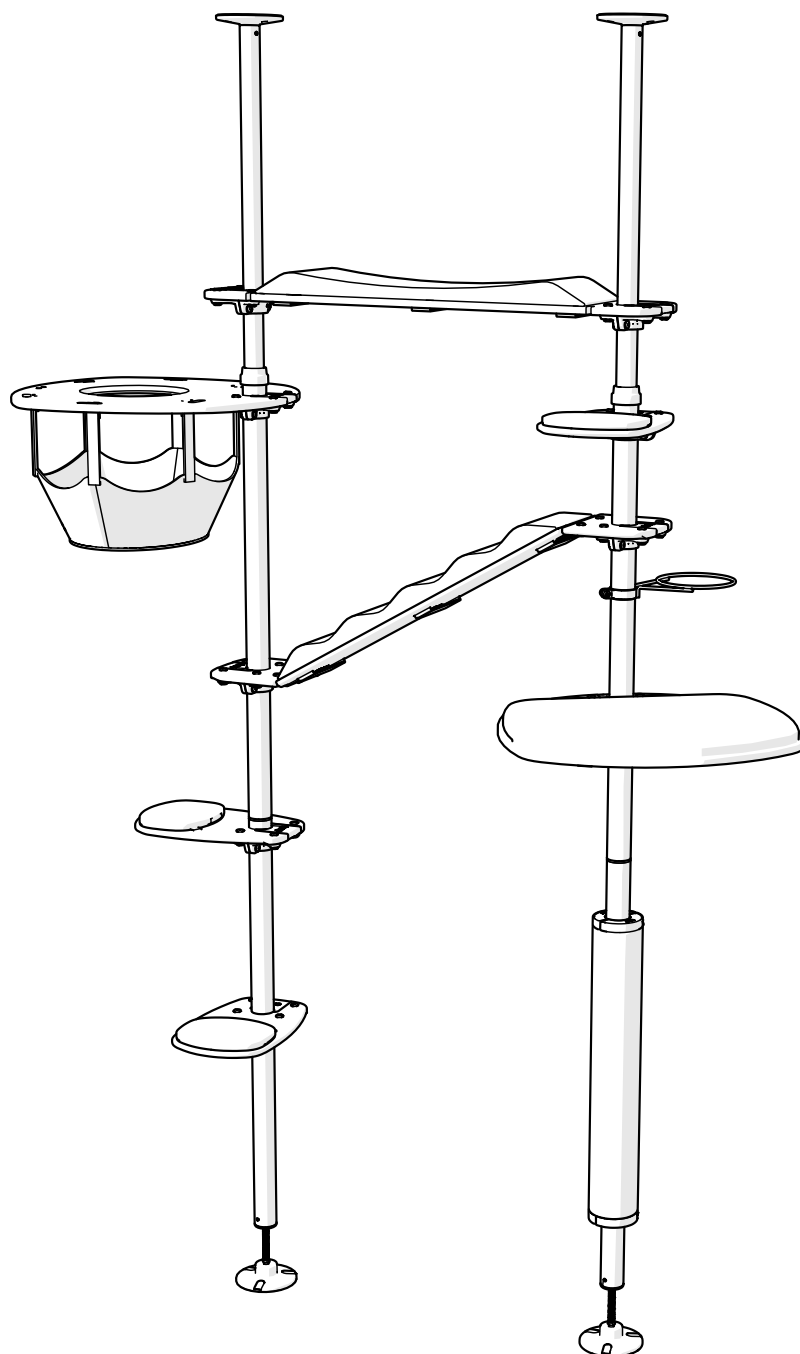



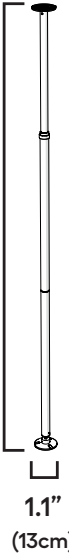
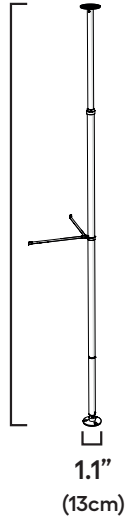
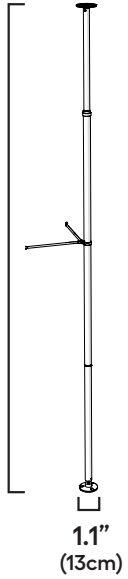
# FREESTYLE CAT TREE

## Dimensions



Omlet

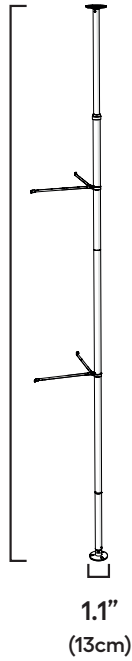


<p><b>Vertical Pole</b></p> <p><b>055.0002</b></p> <p>5'7" - 7'3/4" (1.70m - 2.15m)</p>  <p>1.1" (13cm)</p>	<p><b>Vertical Pole</b></p> <p><b>055.0003</b></p> <p>7'3/4" - 8'6 1/2" (2.15m - 2.60m)</p>  <p>1.1" (13cm)</p>
<p><b>Vertical Pole + Extension Pole Pack + Wall Brace</b></p> <p><b>055.0002 + 055.0009 + 055.0023</b></p> <p>7'3/4" - 8'6 1/2" (2.60m - 3.05m)</p>  <p>1.1" (13cm)</p>	<p><b>Vertical Pole + Extension Pole Pack + Wall Brace</b></p> <p><b>055.0003 + 055.0009 + 055.0023</b></p> <p>10' - 11'5 3/4" (3.05m - 3.50m)</p>  <p>1.1" (13cm)</p>

Vertical Pole + 2 \* Extension Pole Pack + 2 \* Wall Brace

055.0002 + 2 \* 055.0009 + 2 \* 055.0023

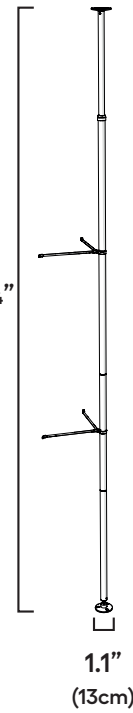
11'5<sup>3</sup>/<sub>4</sub>" - 12'11<sup>1</sup>/<sub>2</sub>"  
(3.50m - 3.95m)



Vertical Pole + 2 \* Extension Pole Pack + 2 \* Wall Brace

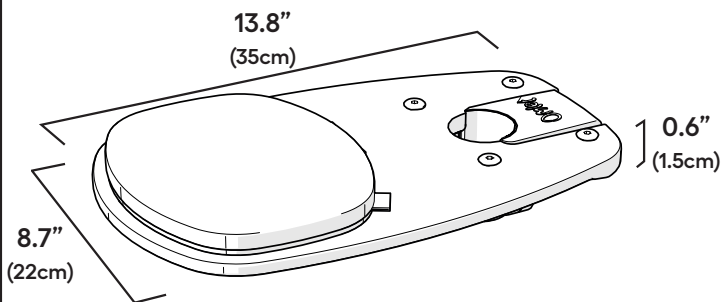
055.0003 + 2 \* 055.0009 + 2 \* 055.0023

12'11<sup>1</sup>/<sub>2</sub>" - 14'5<sup>1</sup>/<sub>4</sub>"  
(3.95m - 4.40m)



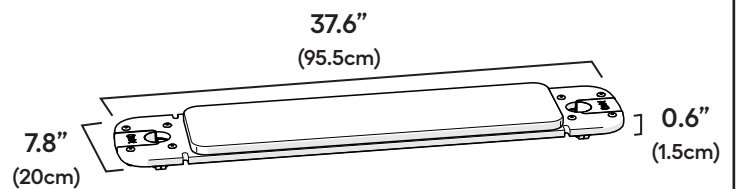
Step + Bracket + Step Pad

055.0062 + 055.0074 + 055.0059



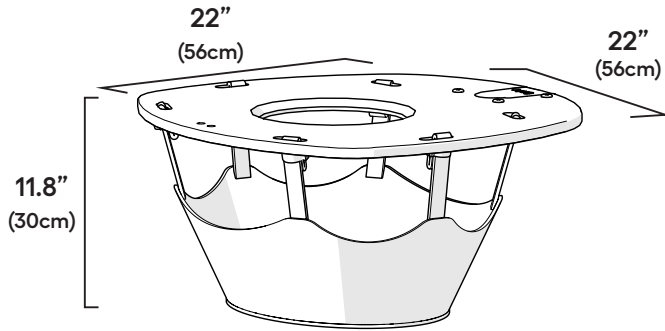
Bridge + 2 \* Brackets + Bridge Cushion

055.0065 + 2 \* 055.0074 + 055.0052



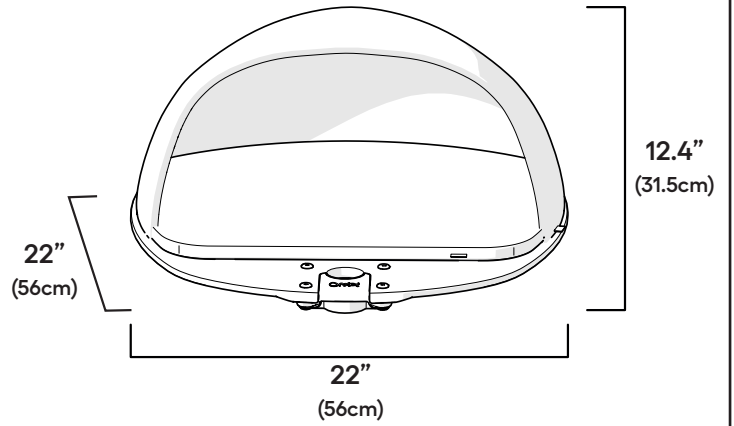
Hammock Platform + Bracket + Packed Hammock

055.0061 + 055.0074 + 055.0055



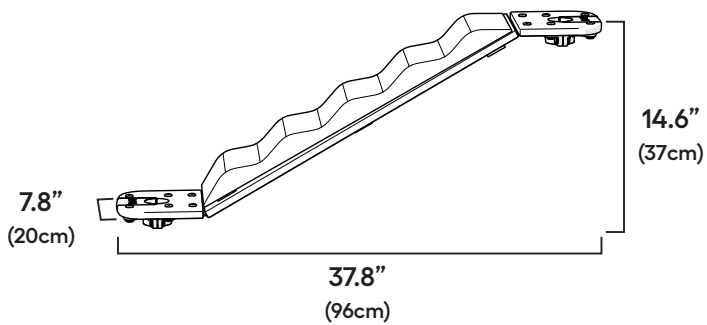
Platform + Platform Cushion + Platform Den + Bracket

055.0060 + 055.0051 + 055.0054 + 055.0074



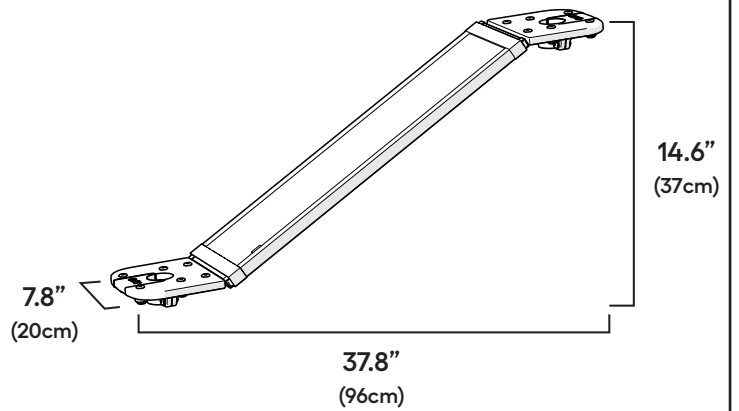
Ramp + 2 \* Brackets + Cardboard Scratcher

055.0064 + 2 \* 055.0074 + 055.0150



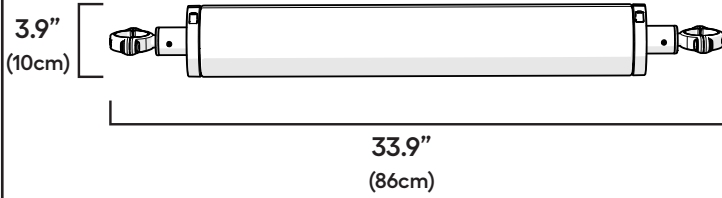
Ramp + 2 \* Brackets + Sisal Wrap Bridge and Ramp

055.0064 + 2 \* 055.0074 + 055.0053



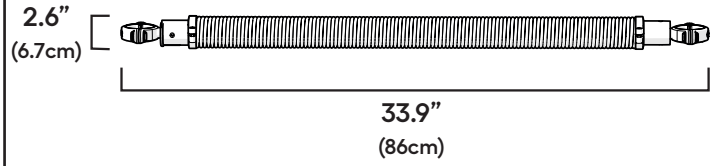
**Horizontal Pole + Scratching Post**

**055.0012 + 055.0020**



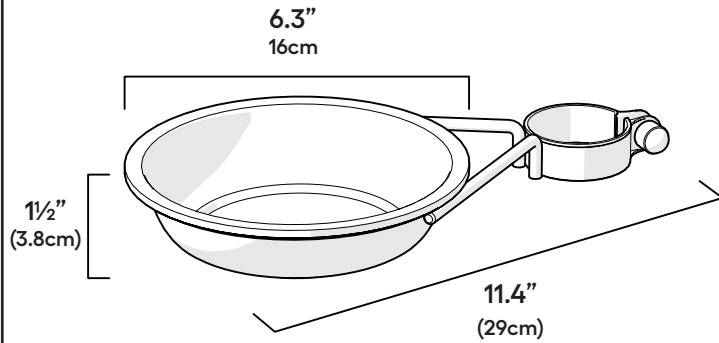
**Horizontal Pole + Sisal Rope Kit**

**055.0012 + 055.0013**



**Plant Pot and Bowl Holder + Bowl**

**055.0035 + 810.0320**



**Plant Pot and Bowl Holder + Plant Pot**

**055.0035 + 810.0321**

