

CATIO TUNNEL

Assembly guide



Omlet

SATISFY YOUR CAT'S CURIOSITY

Watch the 'How to Build' video now



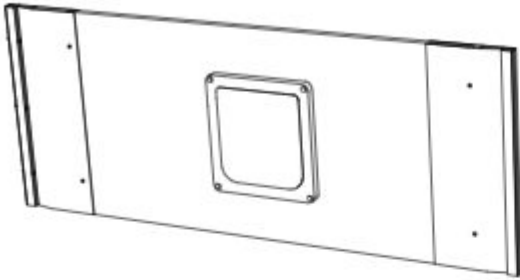
CAT CAUGHT YOUR IMAGINATION?

Let your creative inspiration roam free and draw a pic of your cat on this page. More of a scribbler than a sketcher? Take a leaf from the likes of Lear* and write a poem! Tag us on social so we can share your talent with our curious collective of fellow animal lovers.

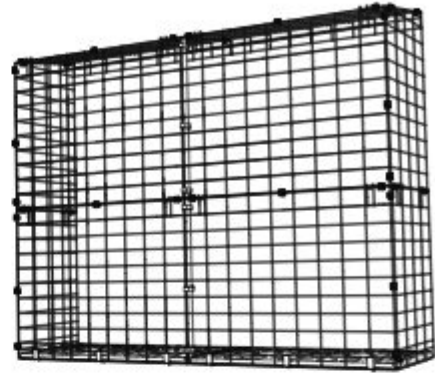
* Edward, of The Owl and the Pussy-cat fame

CATIO TUNNEL MODULES

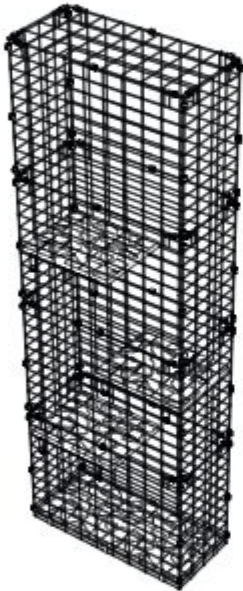
You will be building these individually first. Modules required depend on desired set up.



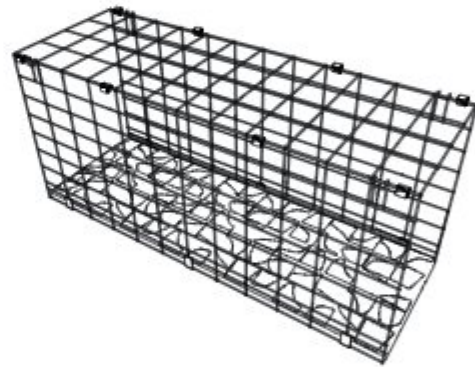
Window Board 06



Window Box 17



Tower 32



Tunnel 49



Square 53



Stand 57

CONTENTS

Module Assembly

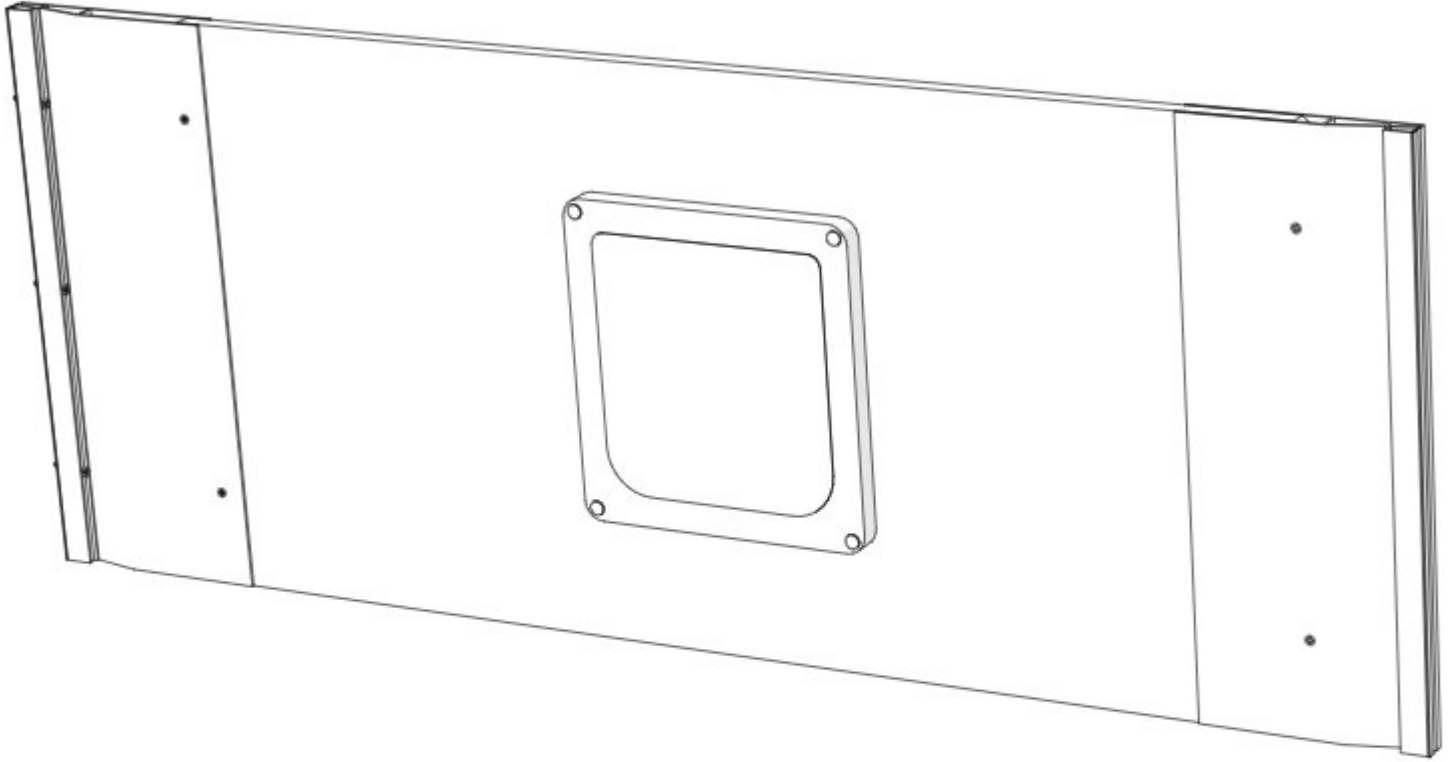
| | |
|--------------------|----|
| Window Board | 06 |
| Window Box | 17 |
| Tower | 32 |
| Tunnel | 49 |
| Square | 53 |
| Stand | 57 |

System Assembly

| | |
|-------------------------|----|
| Entry point | 65 |
| Walkway Example 1 | 90 |
| Walkway Example 2 | 96 |

WINDOW BOARD

Module Assembly



What you have received

096.0035 Boxed Window Board



X1
Window Board and
Cat Door Assembly
096.0015



X2
Window Board Extrusion
with Insulation
096.0018



X1
Foam Top
Insulation Strip
096.1113

096.0111 : Fixings Pack Window Board



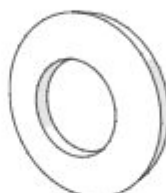
X8
Wall Mounting Clip
096.1045



X2
Connection Hooks
096.1103



X16
Self tapping
plastite screw
800.0314



X2
Nylon Washer M6
800.0323



X2
M6 x 12mm Bolt
800.0353



X6
3 x 35mm
Woodscrew
800.0476

You will need...

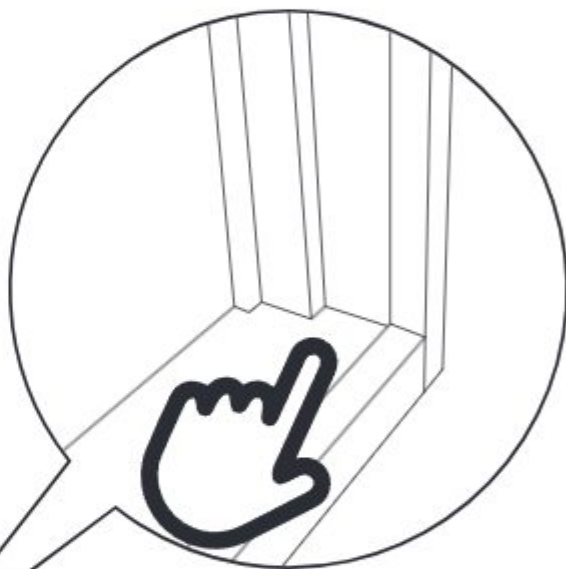
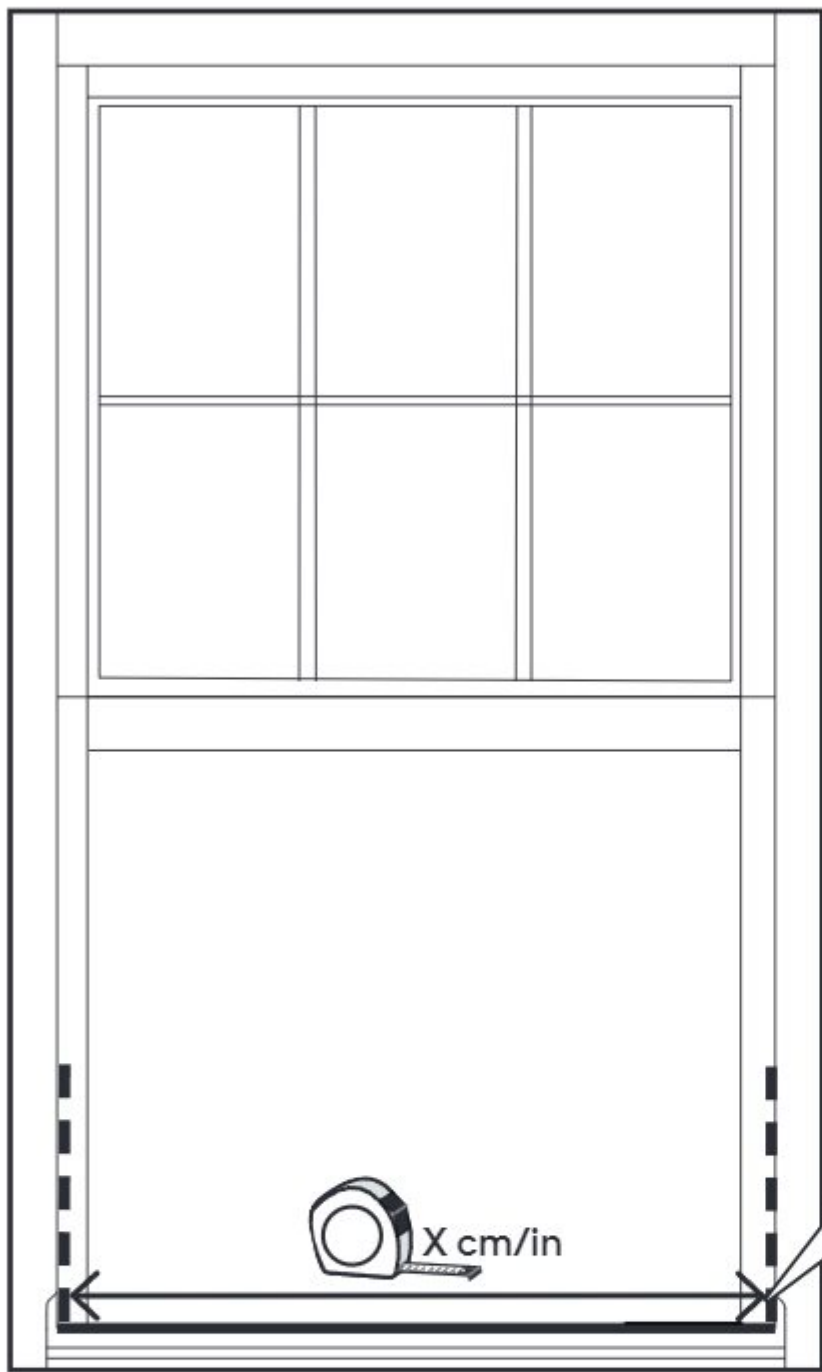


Optional



1

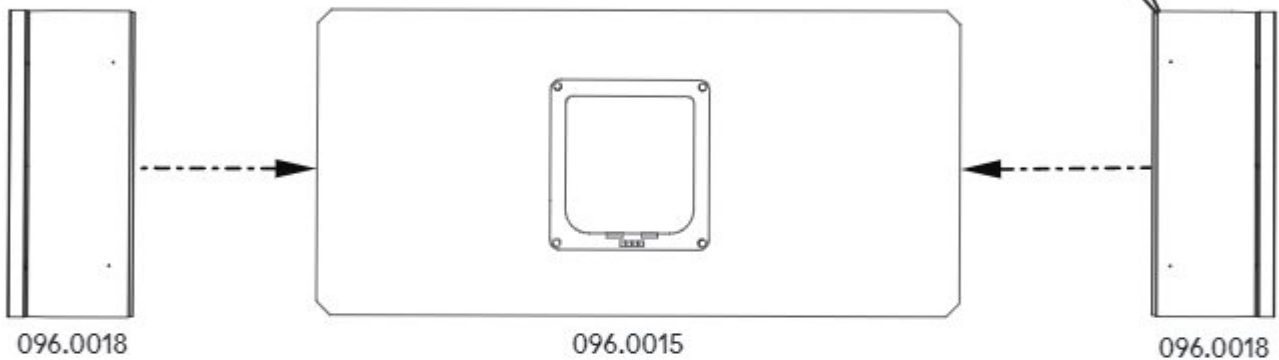
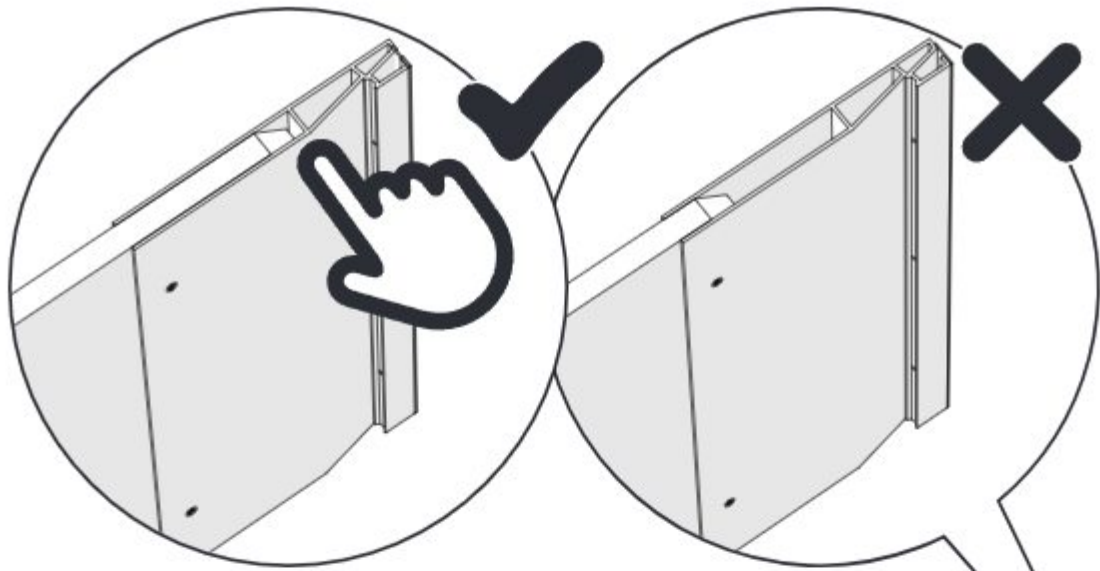
Please measure from the inside of the window track



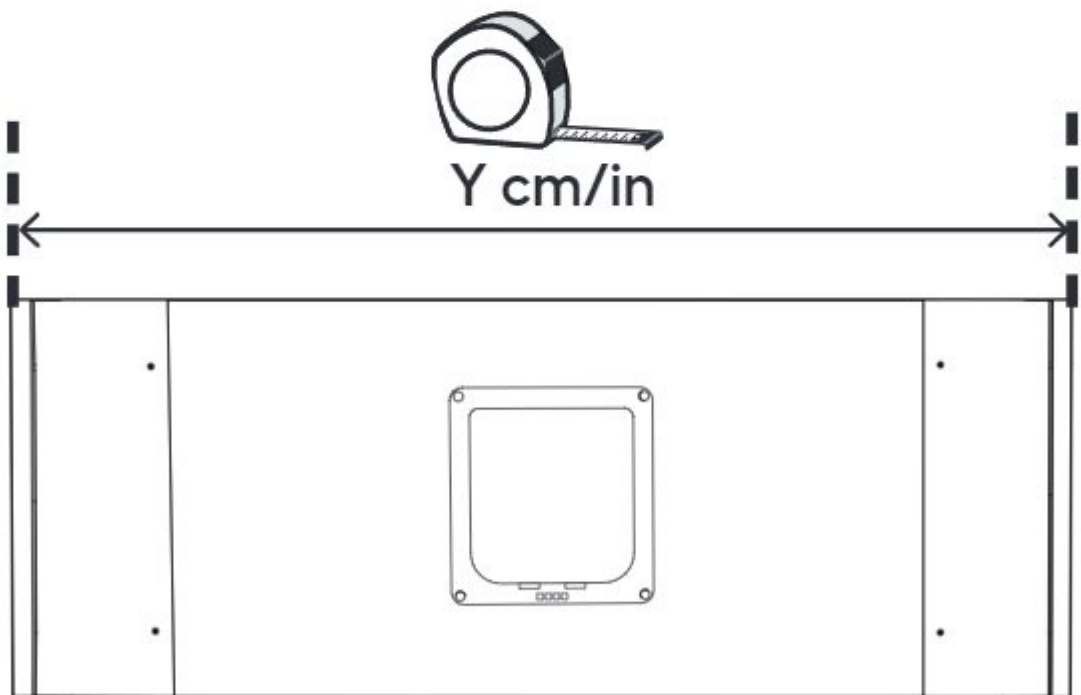
X =

cm/in

2

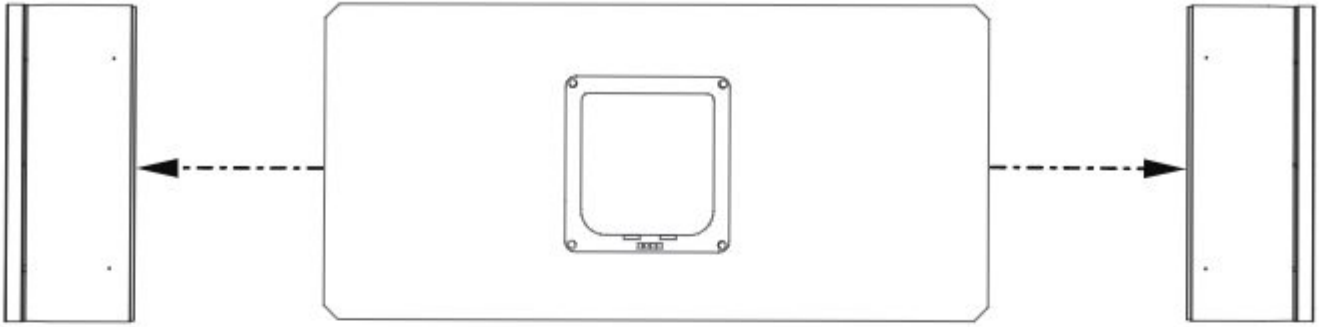


3

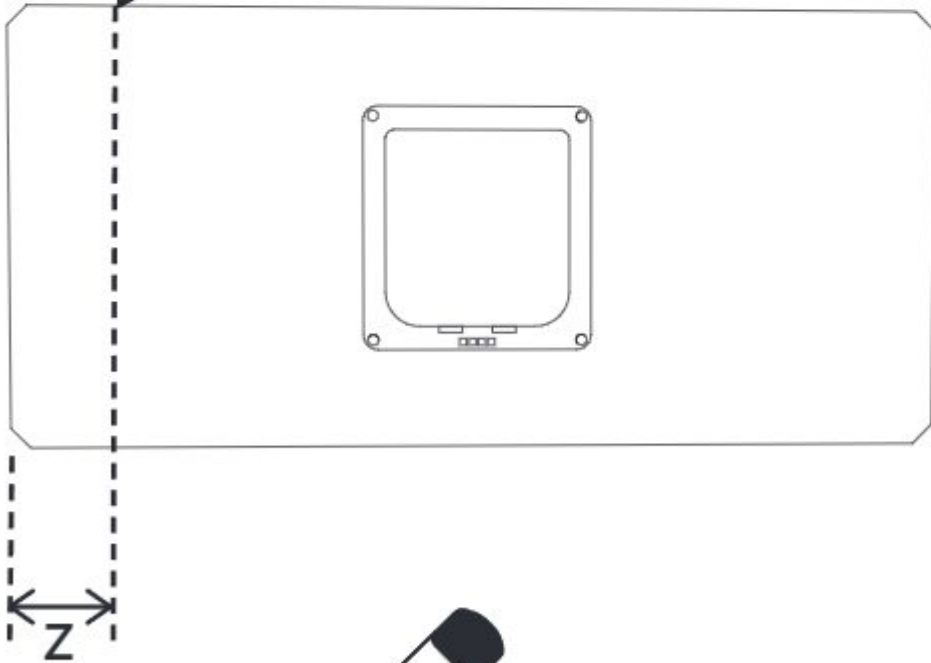
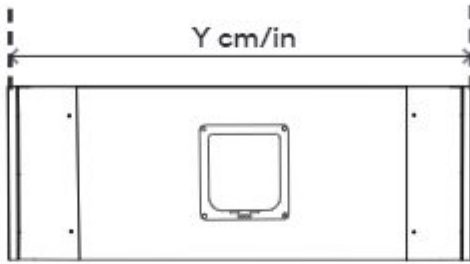


Y = cm/in

4



5



$$(Y-X) \div 2 = Z$$

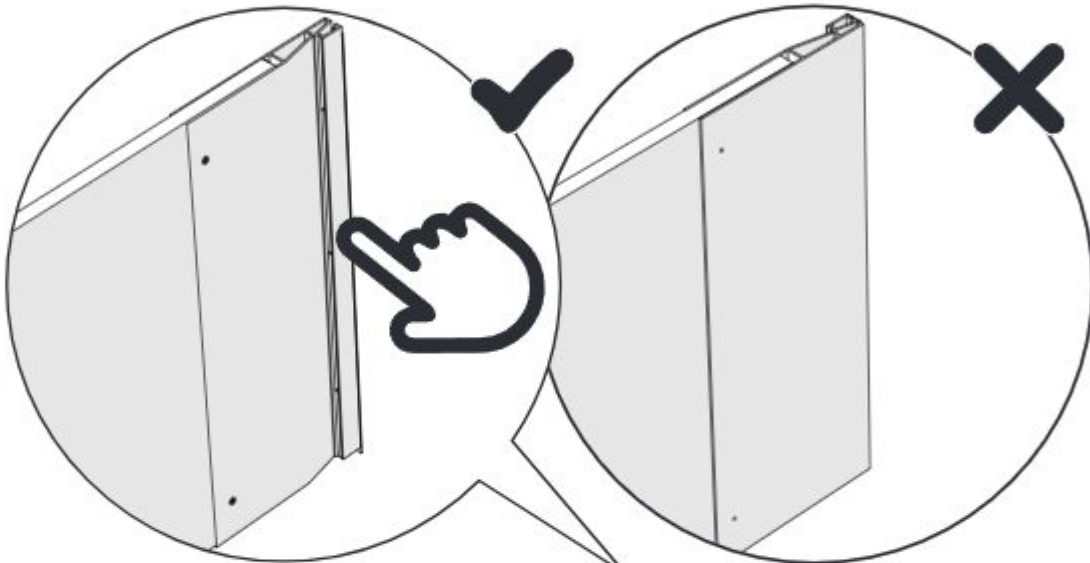
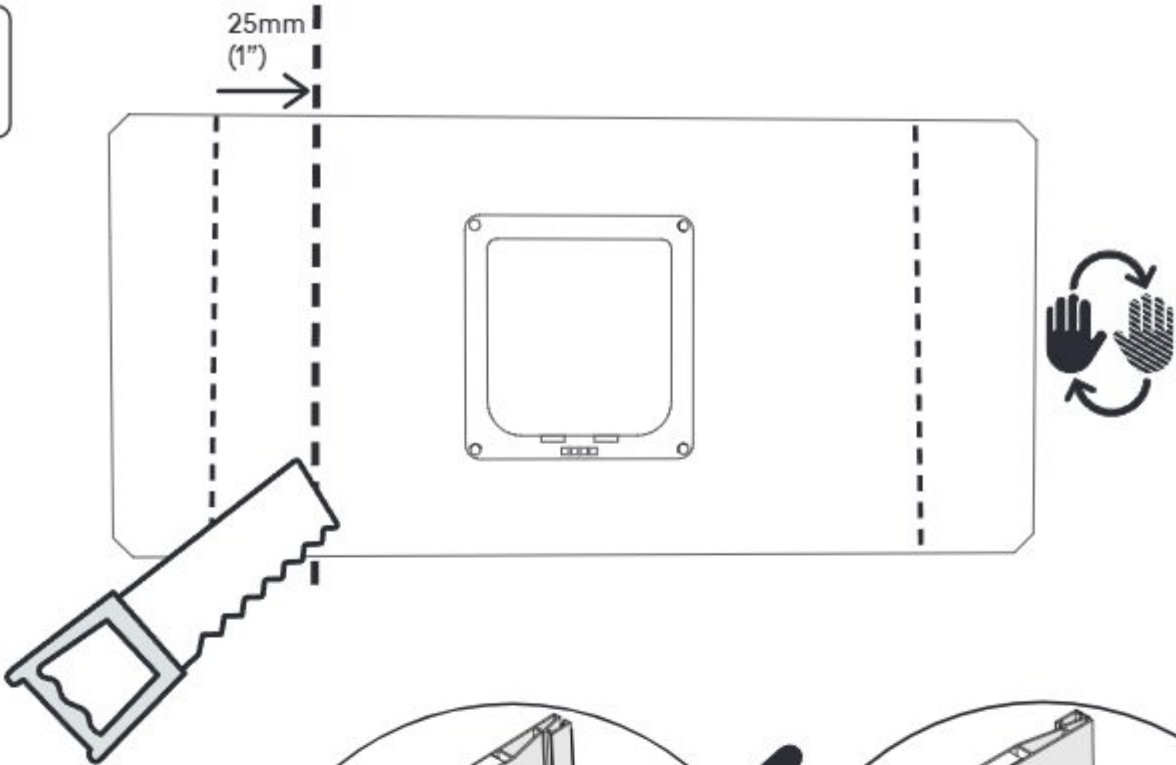


Repeat on other side

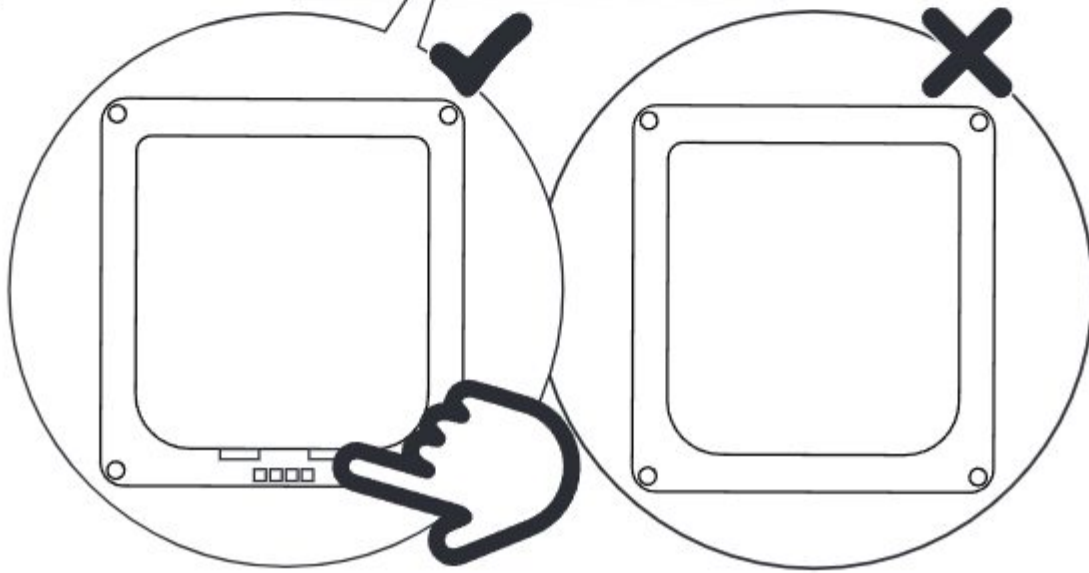
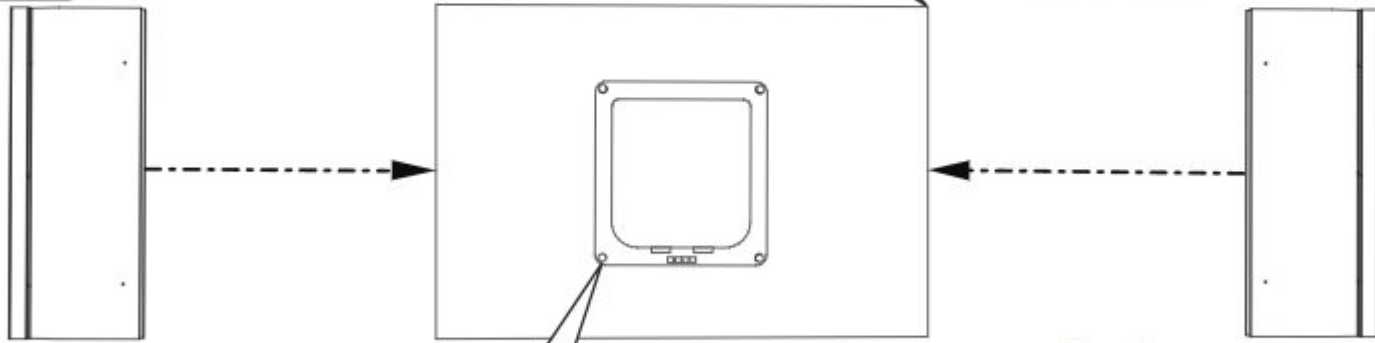
10

$$\left(\boxed{} \text{ cm/in} - \boxed{} \text{ cm/in} \right) \div 2 = \boxed{} \text{ cm/in}$$

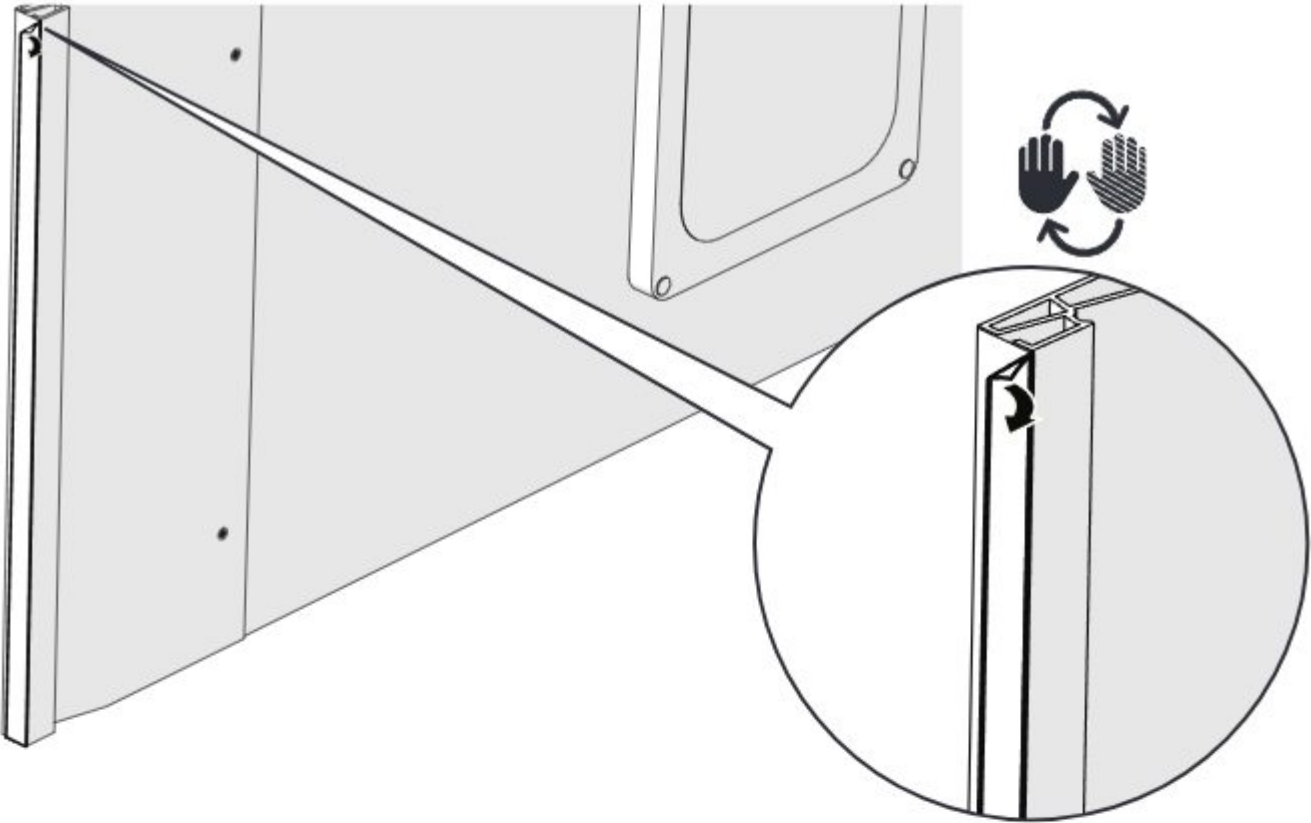
6



7

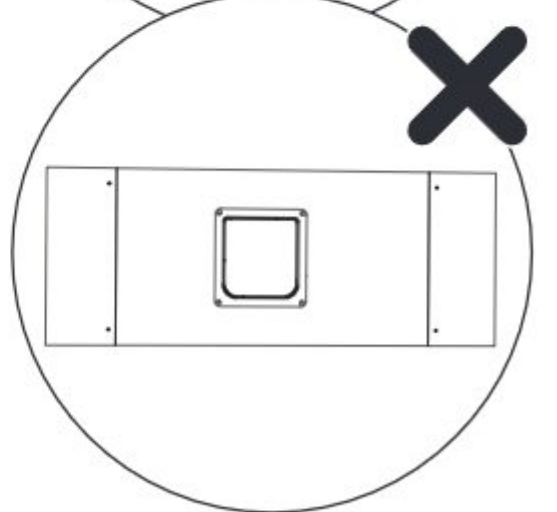
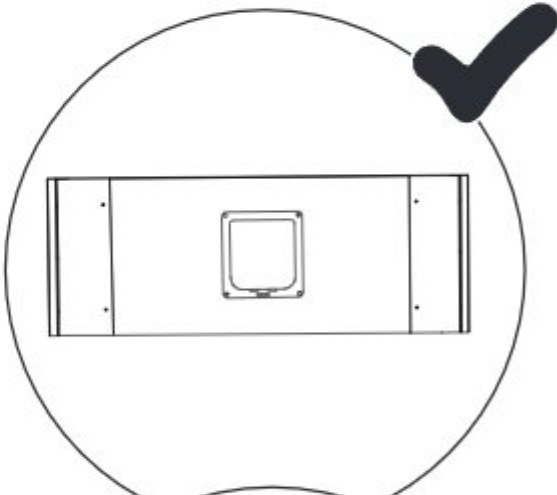
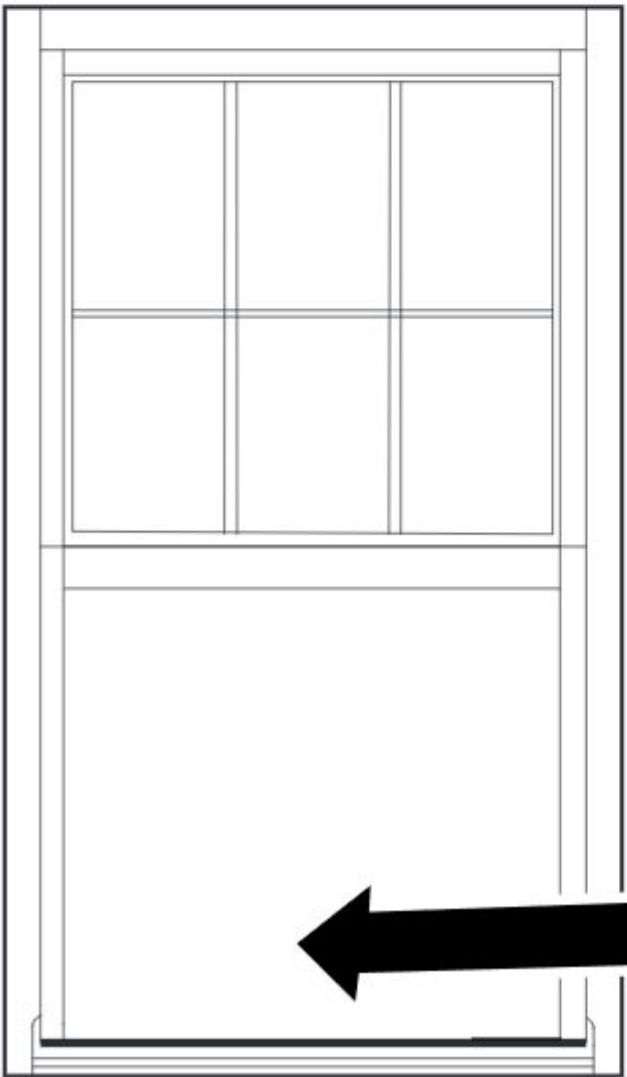


8

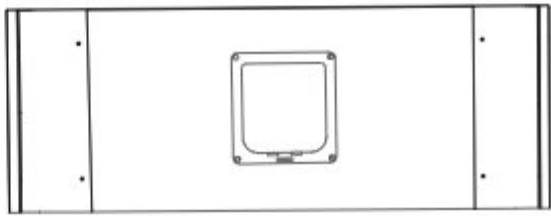


9

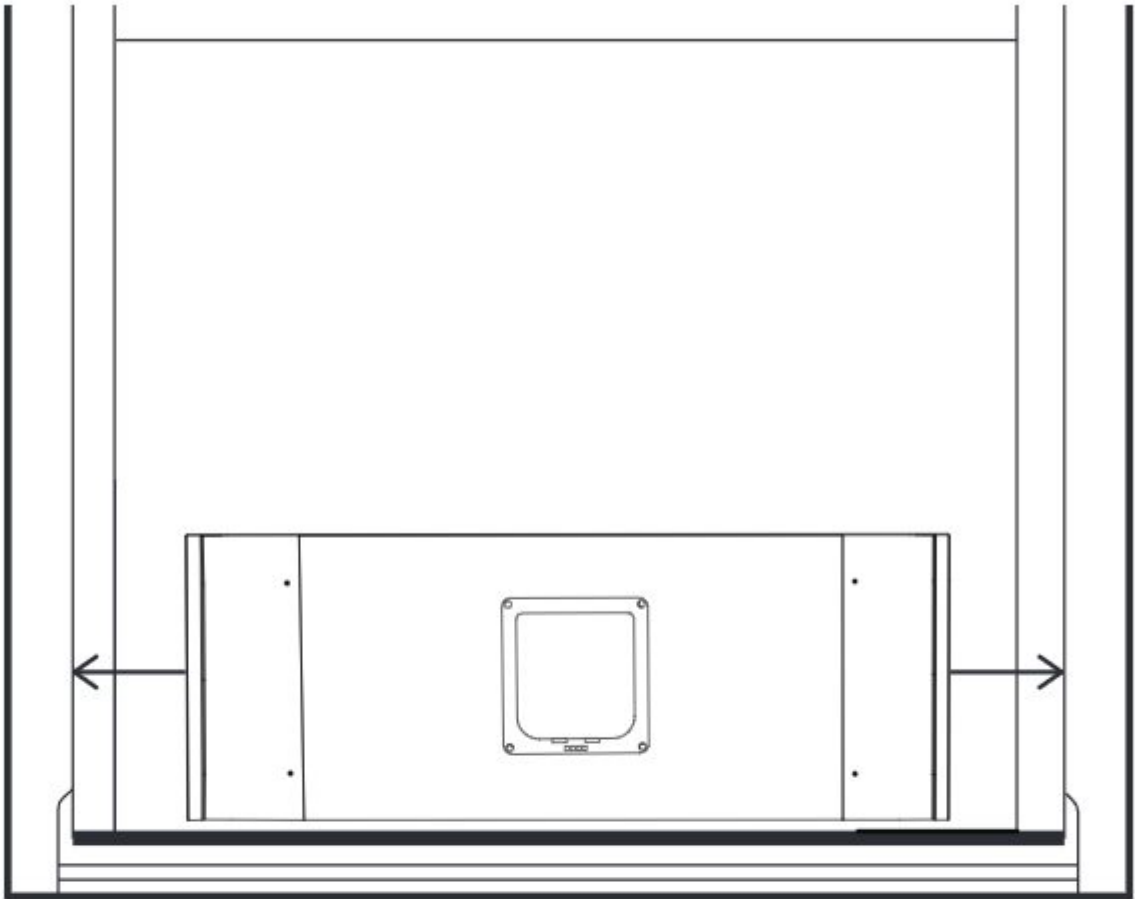
Inside the building



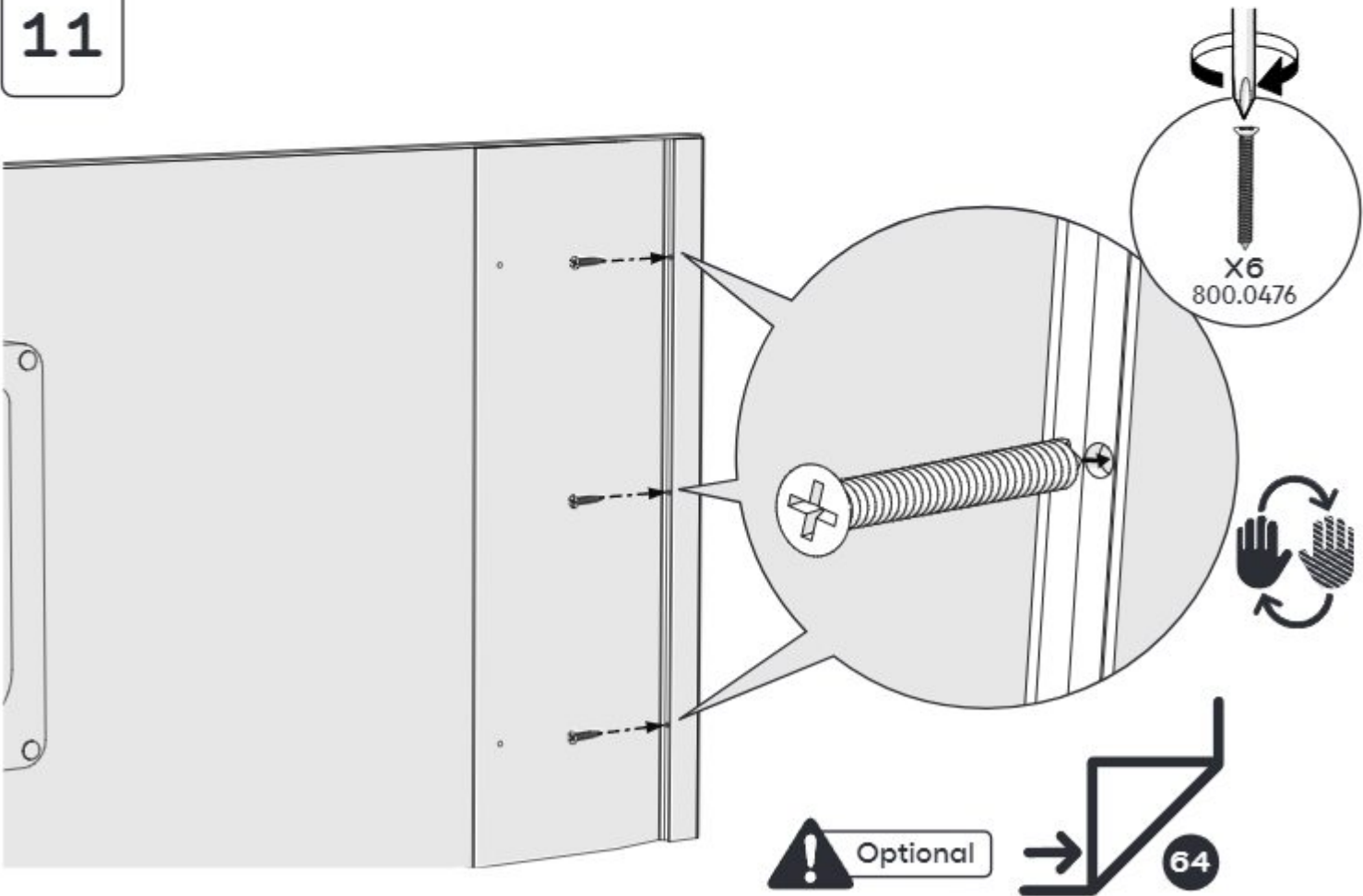
12



10

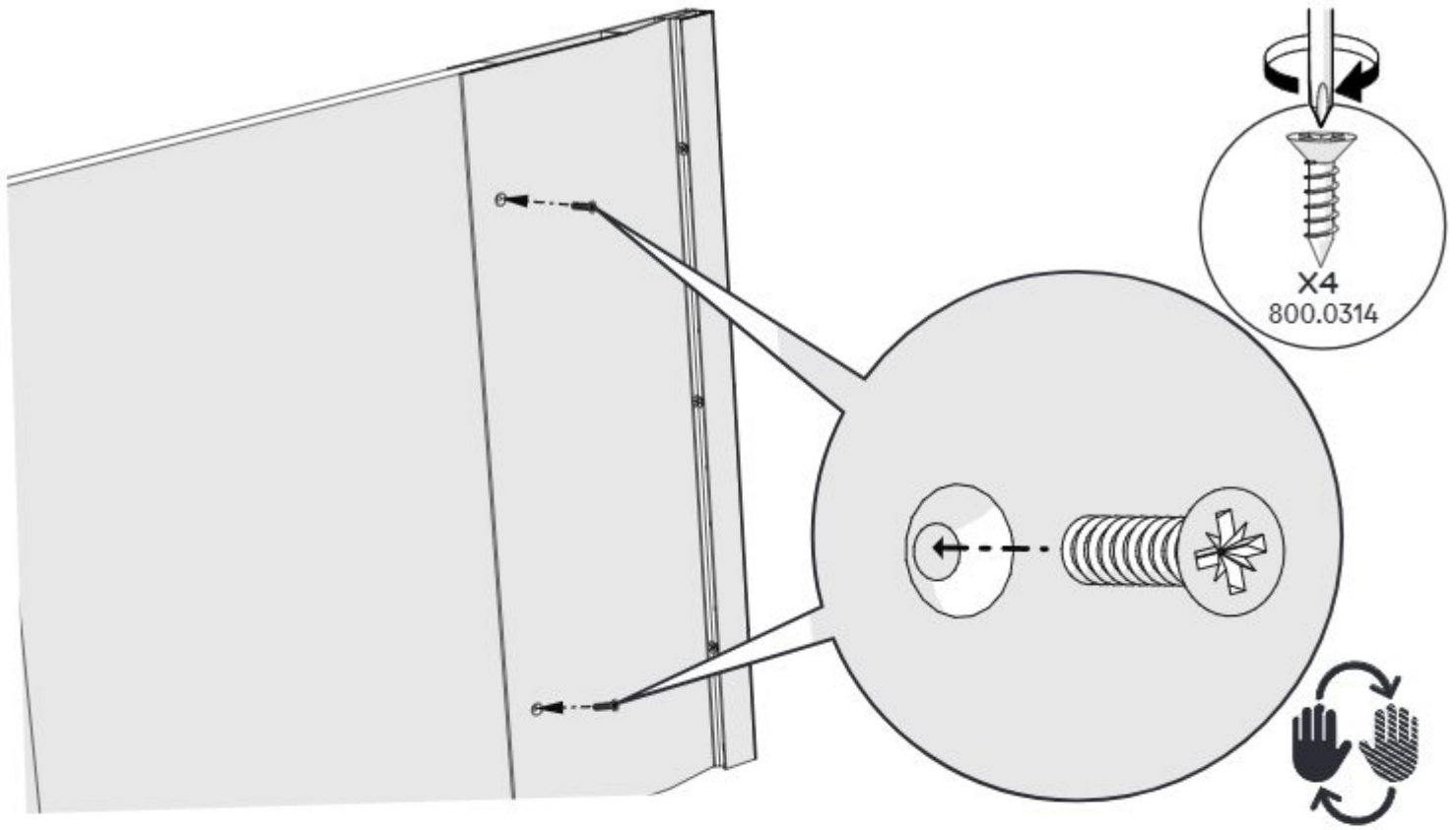


11



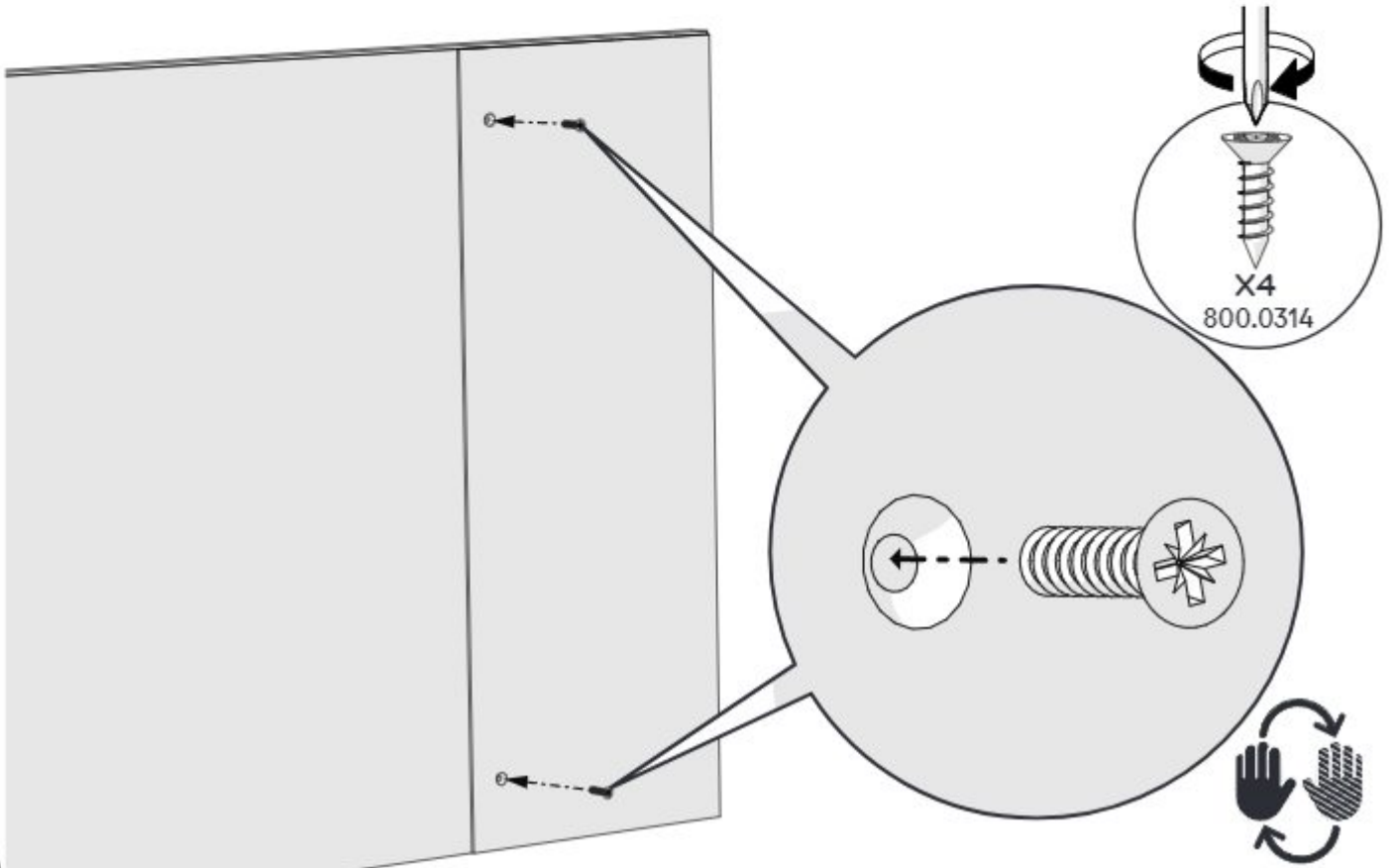
12

Inside the building

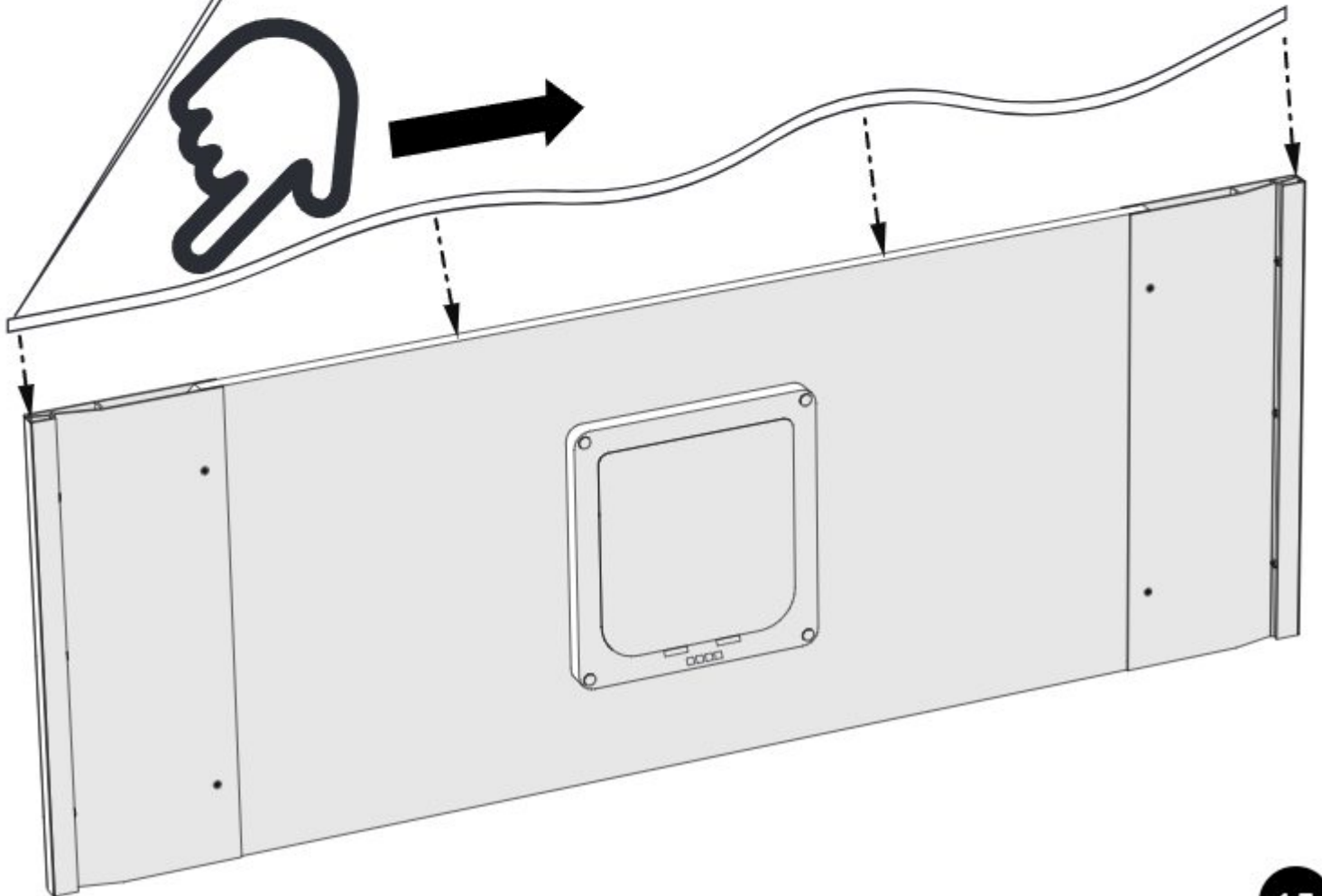
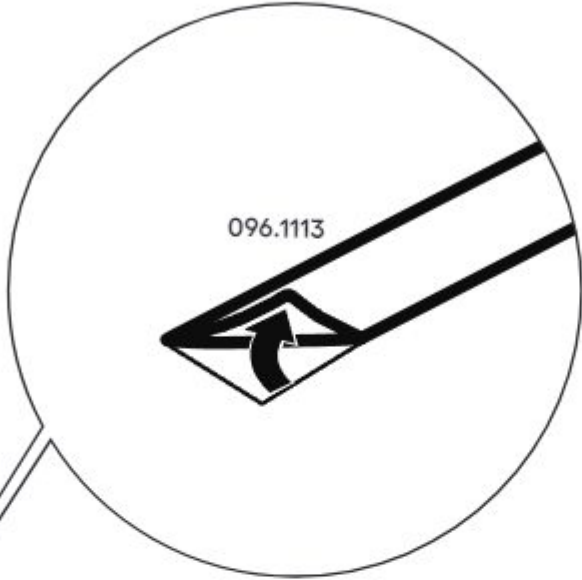
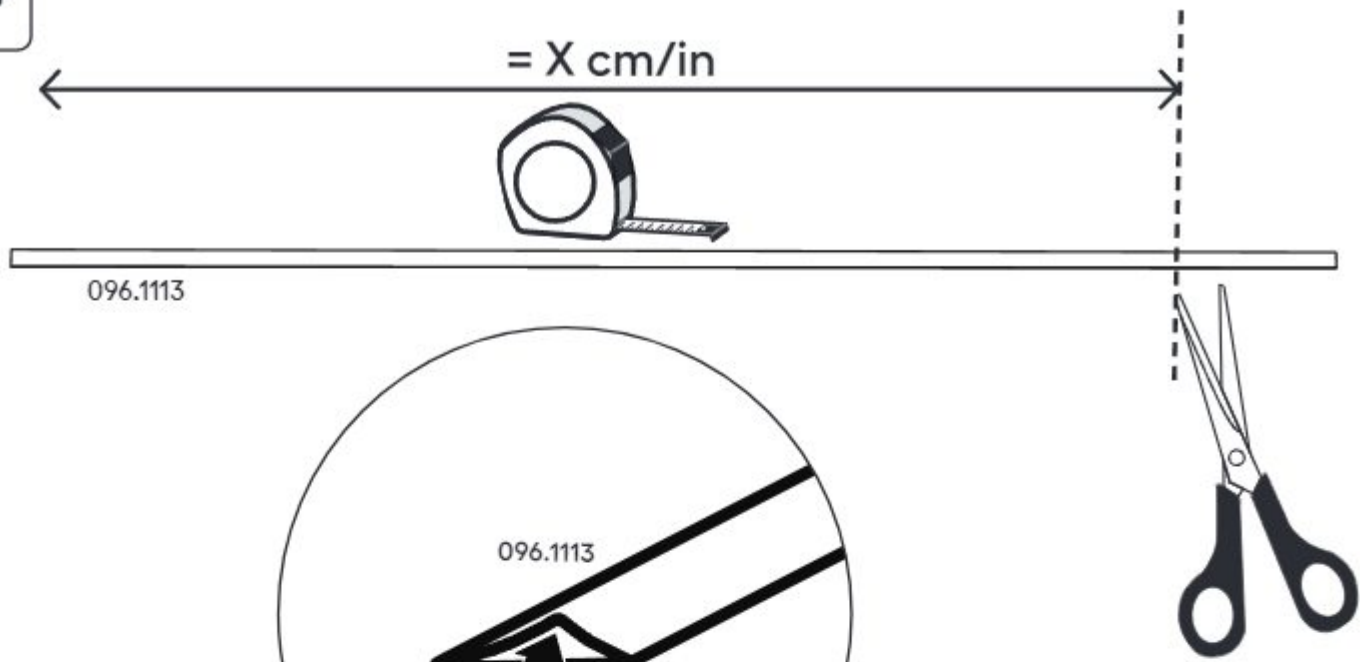


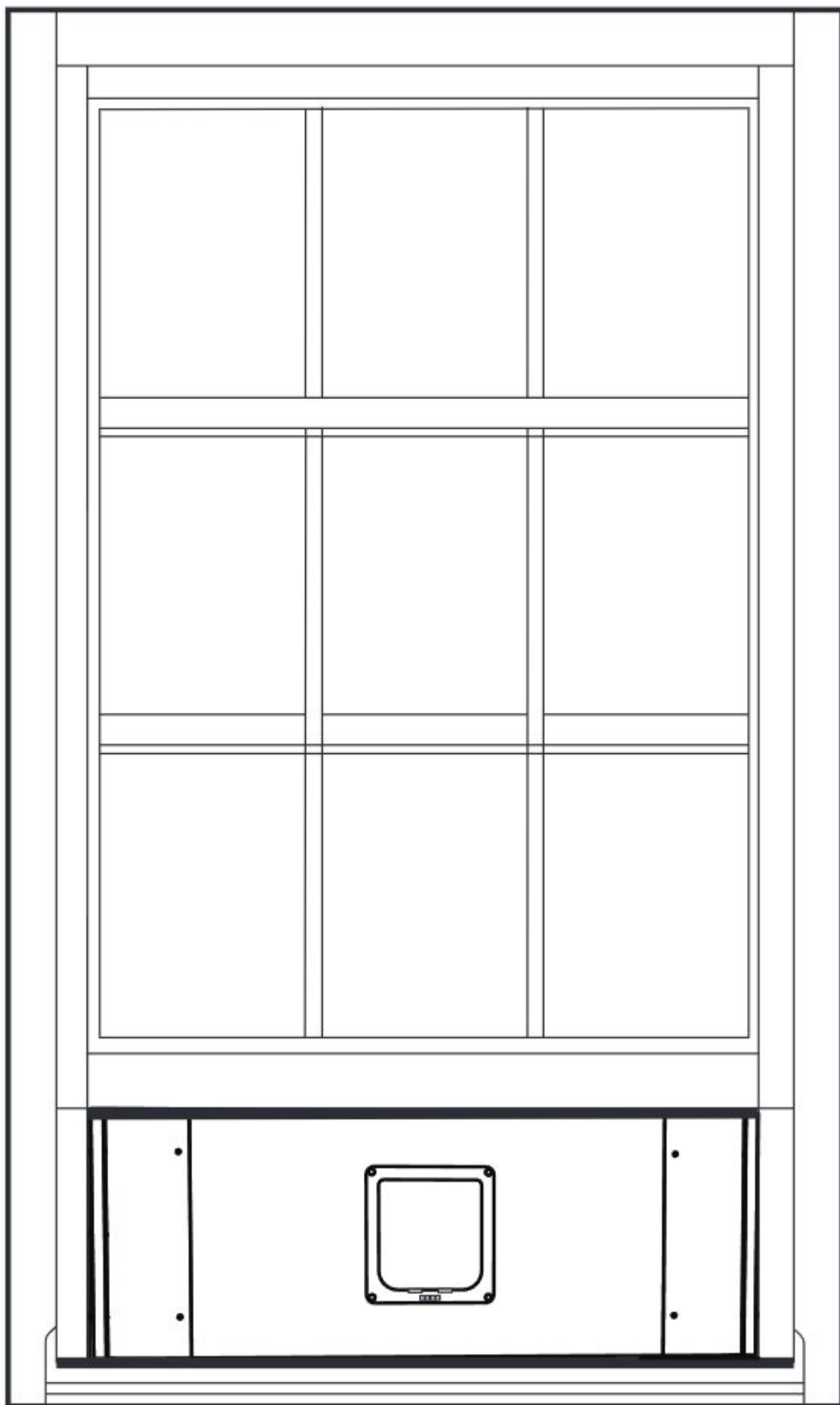
13

Outside the building



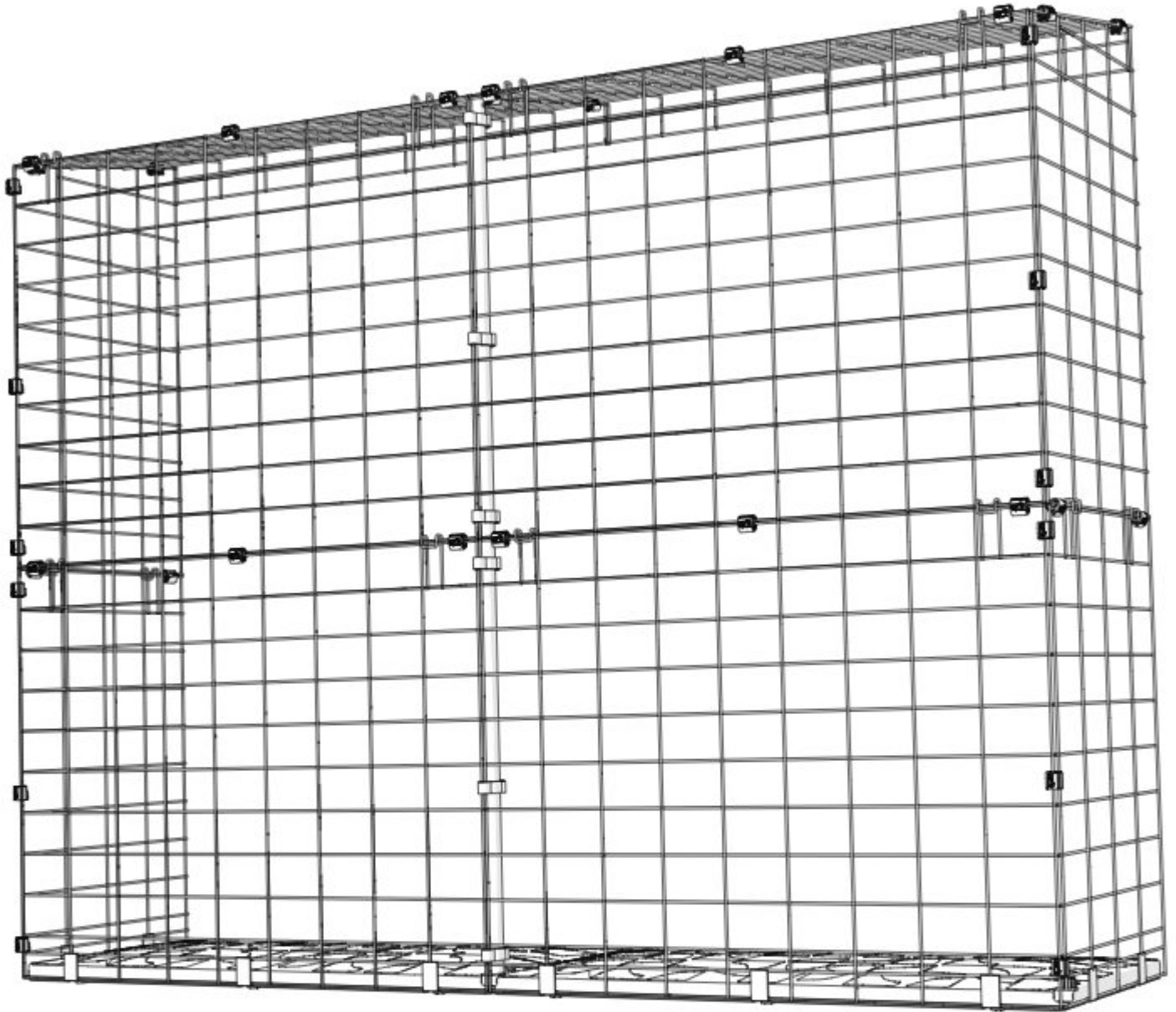
14



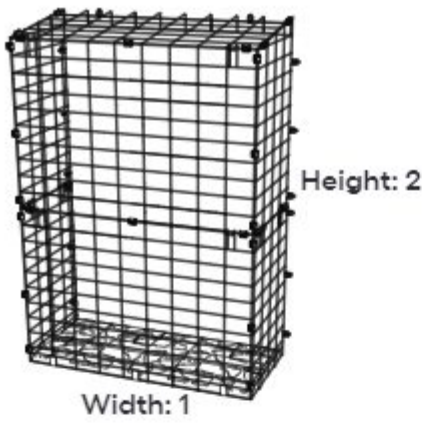


WINDOW BOX

Module Assembly

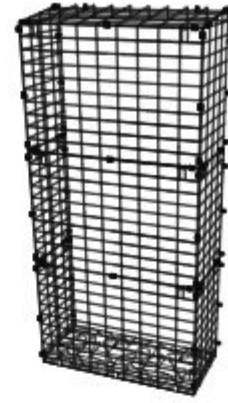


Which size Window Box are you assembling? Please look at all the possible configurations on the following two pages.



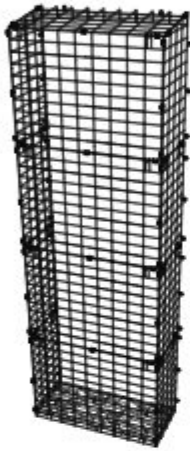
1 x 2

096.0024 Boxed Window Box



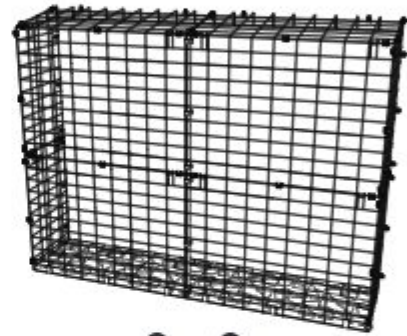
1 x 3

096.0026 Boxed Window Box Vertical Extension A



1 x 4

096.0024 Boxed Window Box
096.0026 Boxed Window Box Vertical Extension A x2



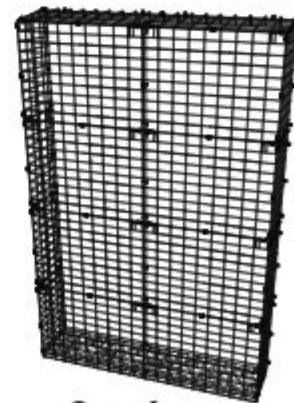
2 x 2

096.0024 Boxed Window Box
096.0025 Boxed Window Box Horizontal Extension



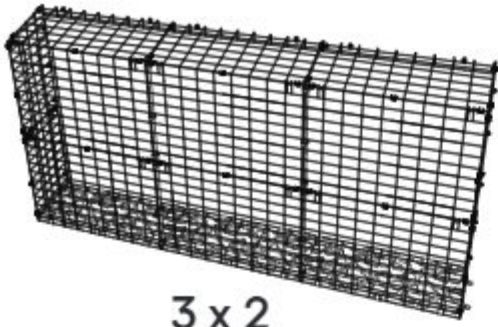
2 x 3

096.0024 Boxed Window Box
096.0025 Boxed Window Box Horizontal Extension
096.0026 Boxed Window Box Vertical Extension A
096.0027 Boxed Window Box Vertical Extension B



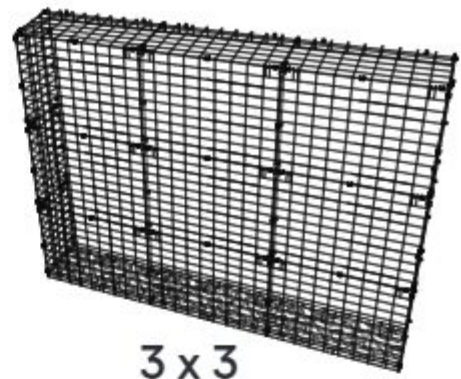
2 x 4

096.0024 Boxed Window Box
096.0025 Boxed Window Box Horizontal Extension
096.0026 Boxed Window Box Vertical Extension A x2
096.0027 Boxed Window Box Vertical Extension B x2



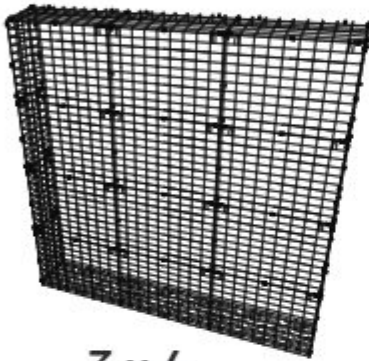
3 x 2

096.0024 Boxed Window Box
096.0025 Boxed Window Box Horizontal Extension **x2**



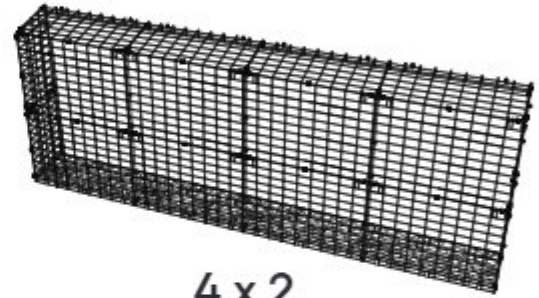
3 x 3

096.0024 Boxed Window Box
096.0025 Boxed Window Box Horizontal Extension
096.0026 Boxed Window Box Vertical Extension A **x2**
096.0027 Boxed Window Box Vertical Extension B **x2**



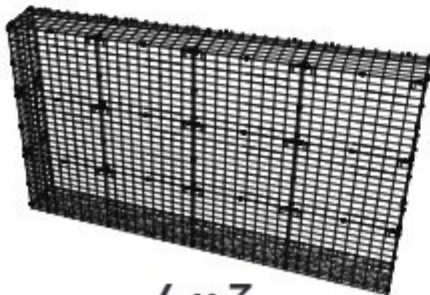
3 x 4

096.0024 Boxed Window Box
096.0025 Boxed Window Box Horizontal Extension **x2**
096.0026 Boxed Window Box Vertical Extension A **x2**
096.0027 Boxed Window Box Vertical Extension B **x4**



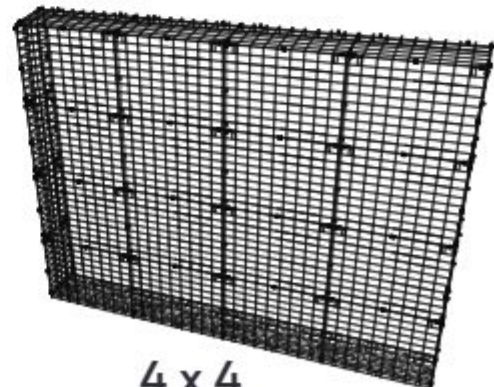
4 x 2

096.0024 Boxed Window Box
096.0025 Boxed Window Box Horizontal Extension **x3**



4 x 3

096.0024 Boxed Window Box
096.0025 Boxed Window Box Horizontal Extension
096.0026 Boxed Window Box Vertical Extension A **x3**
096.0027 Boxed Window Box Vertical Extension B **x3**

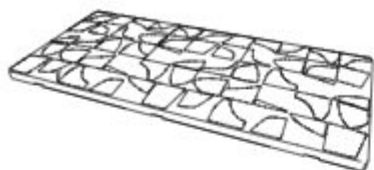


4 x 4

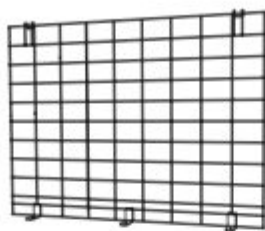
096.0024 Boxed Window Box
096.0025 Boxed Window Box Horizontal Extension **x3**
096.0026 Boxed Window Box Vertical Extension A **x2**
096.0027 Boxed Window Box Vertical Extension B **x6**

What you have received

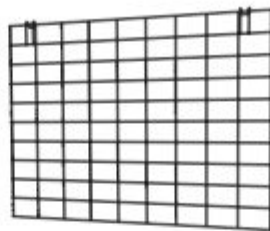
096.0024 Boxed Window Box



X1
Window Box Platform
096.1031



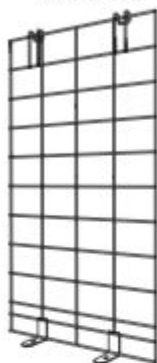
X1
Window Box Front Panel
096.1032



X1
Window Box Front Extension
096.1033



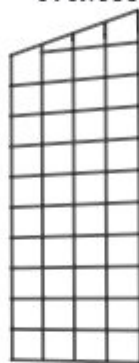
X4
Mesh Edge Protector 250
810.0410



X2
Window Box Side Panel
096.1034



X1
Window Box Top Panel
096.1036



X2
Window Box Side Triangle Top
096.1038



X4
Mesh Edge Protector 330
810.0411

096.0102 : Fixings Pack Window Box



X15
Wall Mounting Clip
800.1045



X32
Mighty Clip C
810.0134



X12
Nylon Washer
M6 x 18 x 1.6mm
800.0323

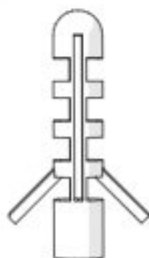


X6
Cable Tie
3 x 200mm
800.0427

096.0114 : Fixings Pack 2 Window Box



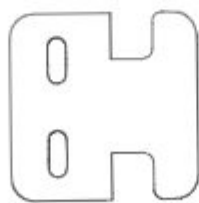
X21
Woodscrew
4 x 30mm
800.0366



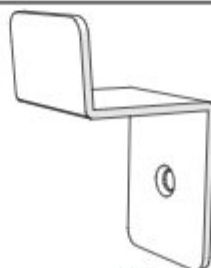
X21
Wall Plug
800.0392



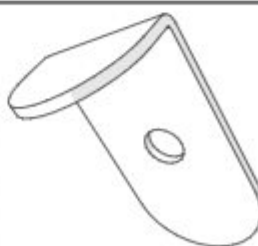
X1
4mm Allen Key
810.1122



X12
Mesh Hanging
Bracket
096.1044



X2
Wall Mounted
Bracket
096.1102



X4
Connection Hook
096.1103



X10
M6x12mm Bolt
800.0353

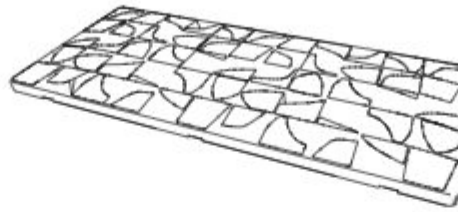
096.0025 Boxed Window Box Horizontal Extension



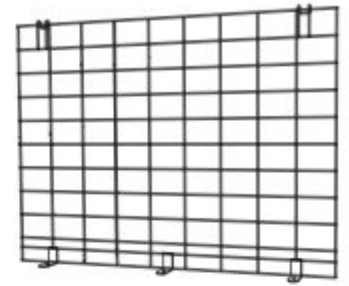
X1
Support Post
096.1042



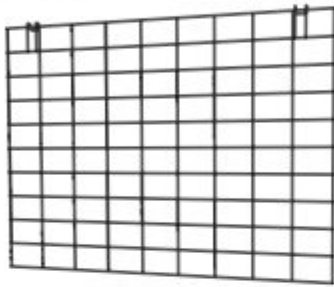
X1
Extension Post
096.1043



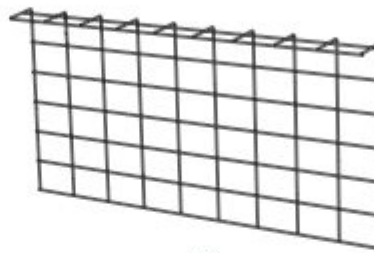
X1
Window Box Platform
096.1031



X1
Window Box Front Panel
096.1032

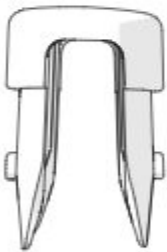


X1
Window Box Front Extension
096.1033

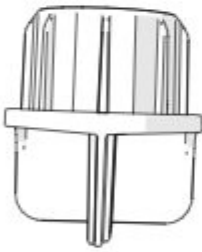


X1
Window Box Top Panel
096.1036

096.0104 : Fixings Pack Window Box Horizontal Extension



X1
Post Top Bung
096.1040



X1
Post Base Bung
096.1041



X6
Wall Mounting Clip
800.1045



X12
Nylon Washer
M6 x 18 x 1.6mm
800.0323



X6
Cable Tie
3 x 200mm
800.0427

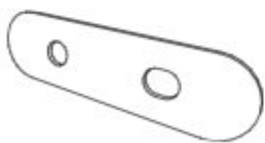


X8
Mighty Clip C
810.0134

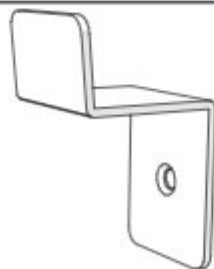


X6
Mighty Clip D
810.0136

096.0115 : Fixings Pack 2 Window Box Horizontal Extension



X2
Platform Connection
Bracket
096.1101



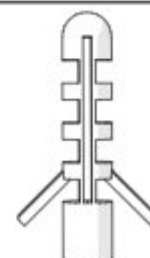
X2
Wall Mounted Bracket
096.1102



X8
M6 x 12mm Bolt
800.0353

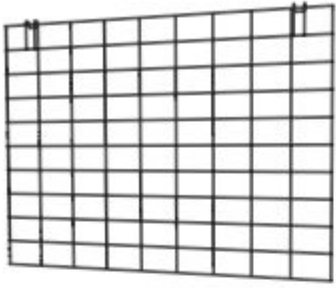


X8
Woodscrew
4 x 30mm
800.0366

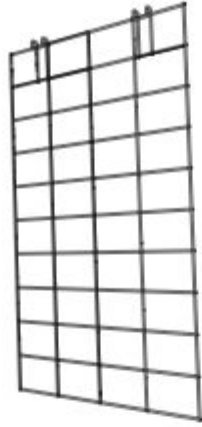


X8
Wall Plug
800.0392

096.0026 Boxed Window Box Vertical Extension A



X1
Window Box Front
Extension 096.1033



X2
Window Box Side Extension
096.1035

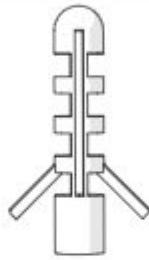
096.0103 : Fixings Pack Window Box Vertical Extension A



X6
Wall Mounting Clip
800.1045



X6
Woodscrew
4 x 30mm
800.0366



X6
Wall Plug
800.0392

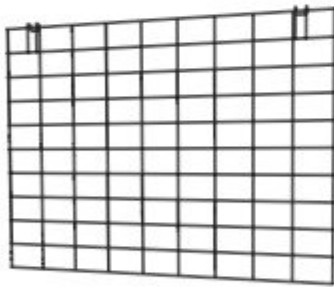


X6
Cable Tie
3 x 200mm
800.0427



X13
Mighty Clip C
810.0134

096.0027 Boxed Window Box Vertical Extension B



X1
Window Box Front
Extension 096.1033



X1
Extension Post
096.1043

096.0110 : Fixings Pack Window Box Vertical Extension B



X6
Cable Tie 3mm x 200mm
800.0427



X6
Mighty Clip C
810.0134



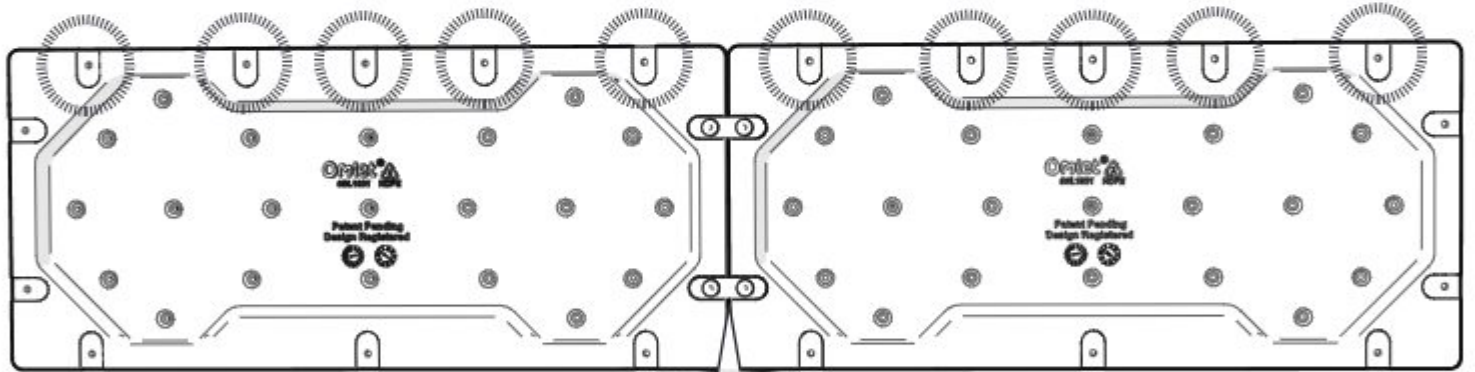
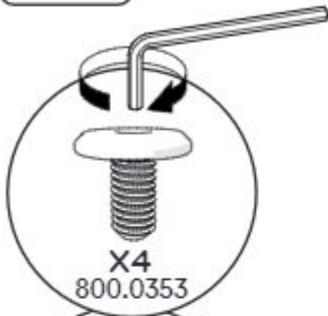
X3
Mighty Clip D
810.0136

The Window box is a modular system. The following pages show the assembly of a 2x2 Window box. If you are assembling a different size the steps need to be adjusted but will follow the same principles.



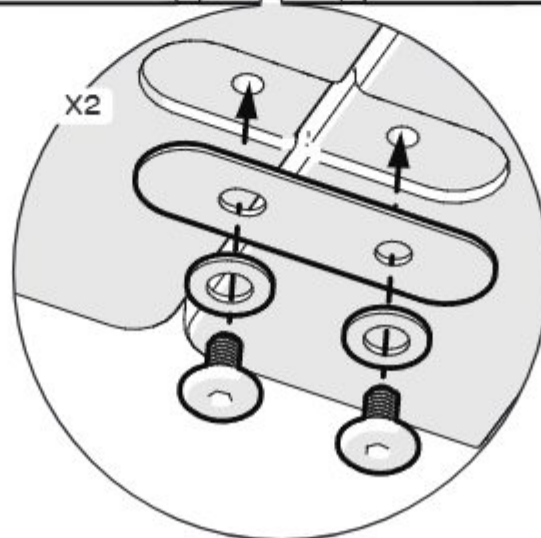
1

Please make sure the platforms are attached with the 5 bracket slots on the same side. This is the same side you'll attach your mesh panels to.

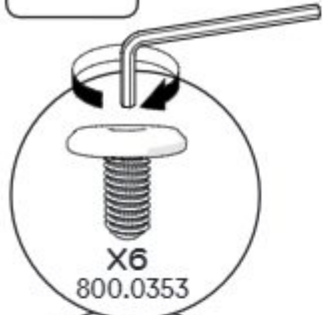


096.1031

096.1031

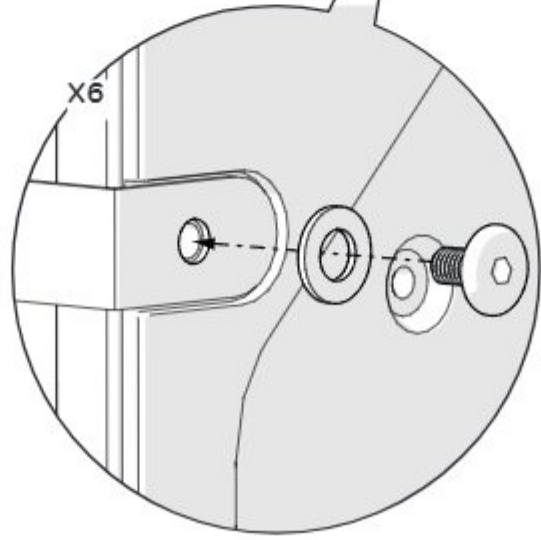
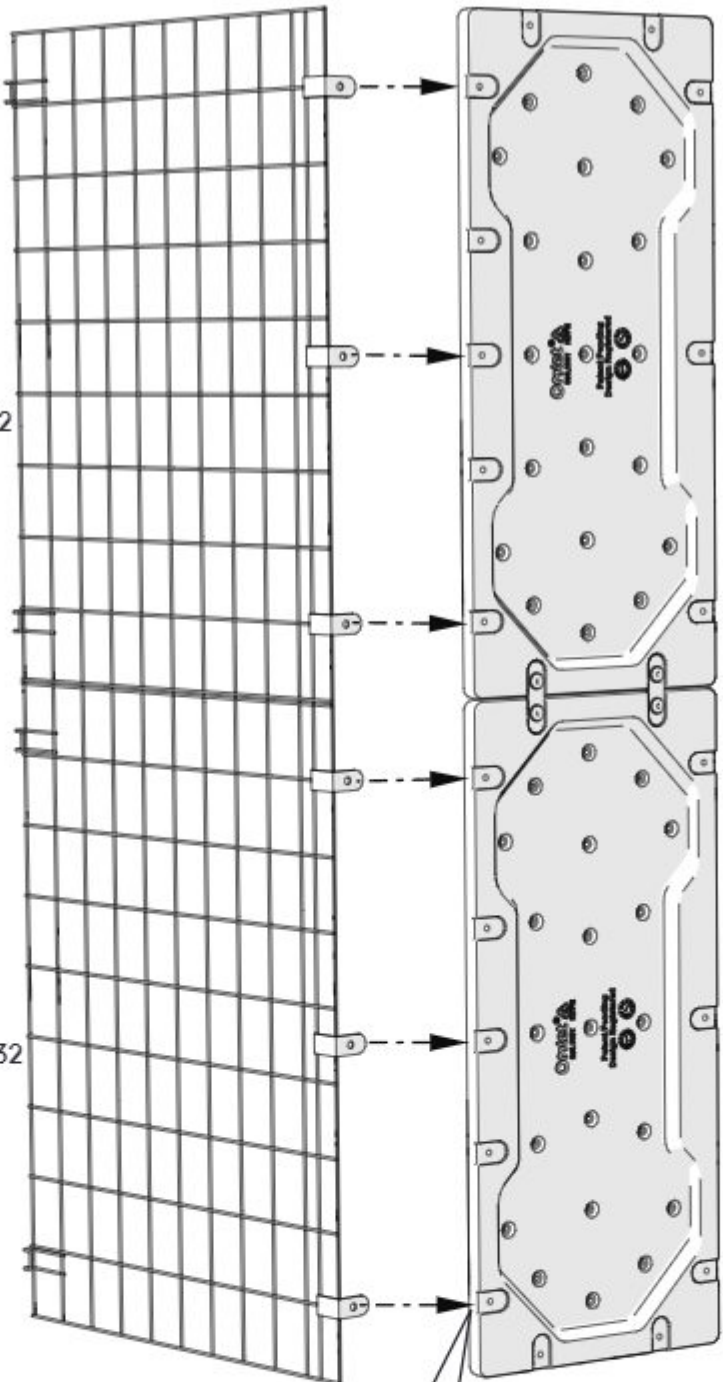


2

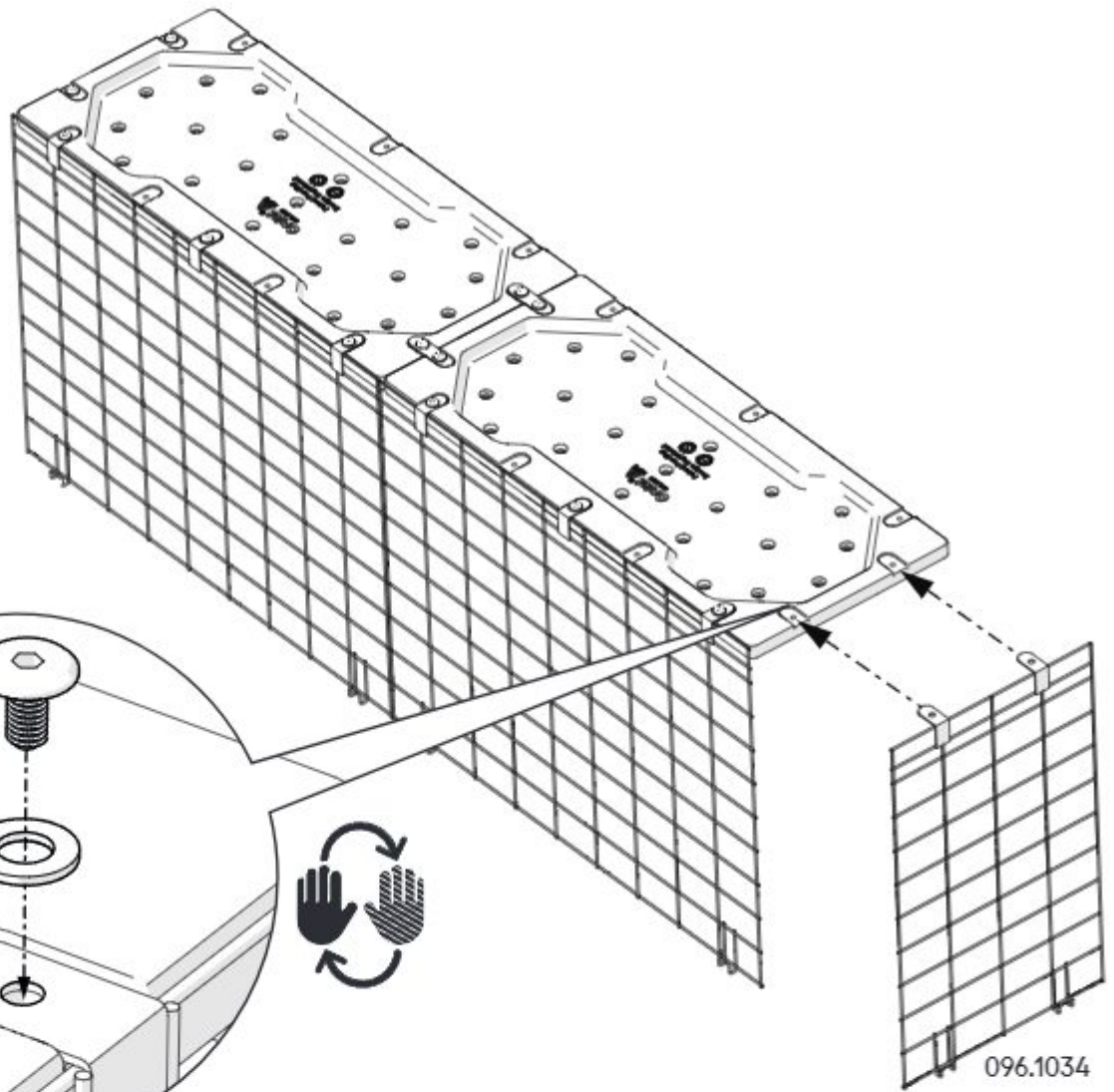
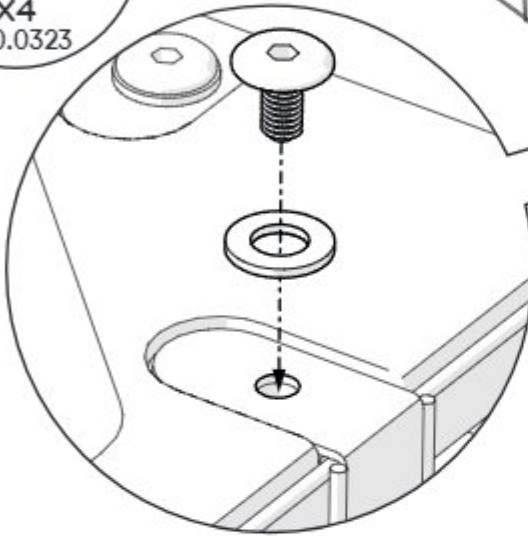
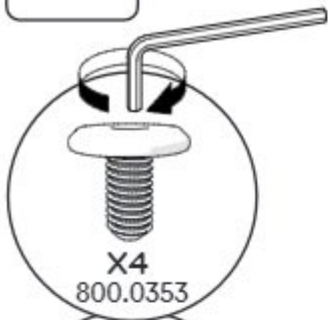


096.1032

096.1032

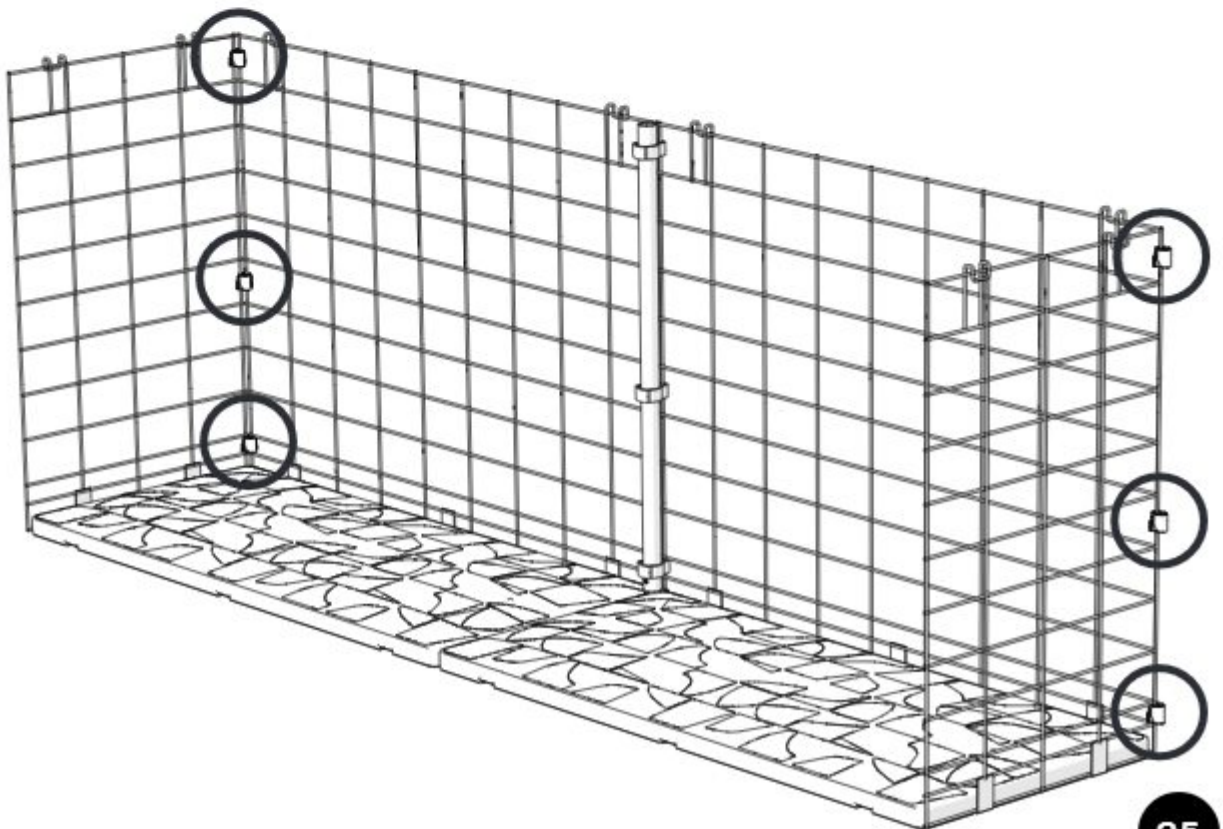


3



096.1034

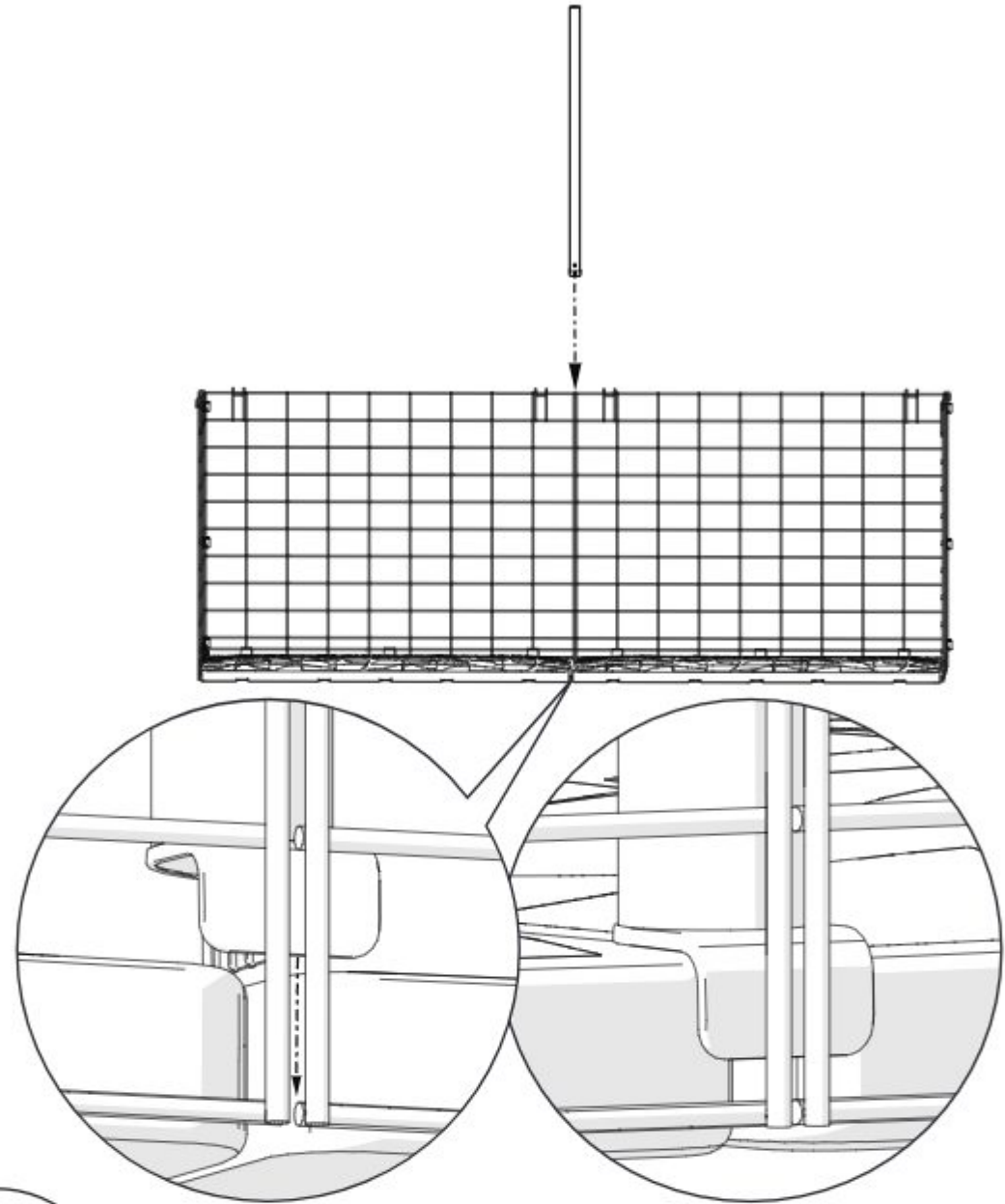
4



5

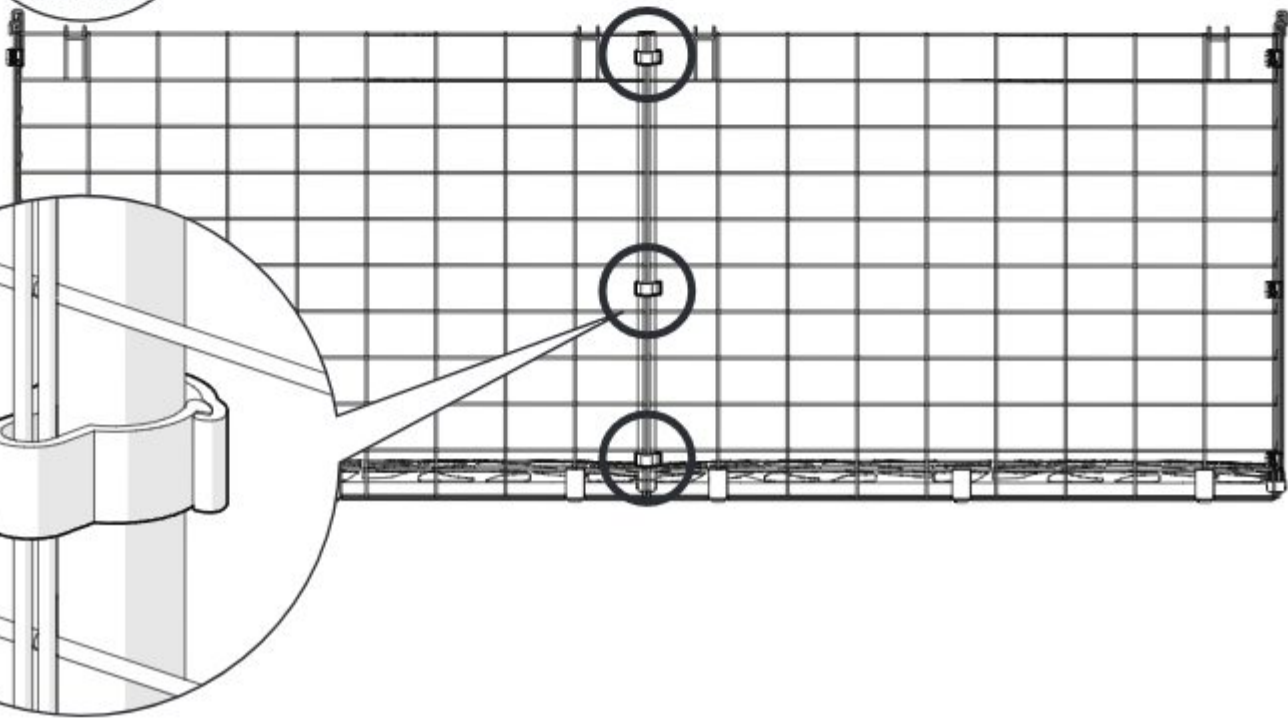
096.1042

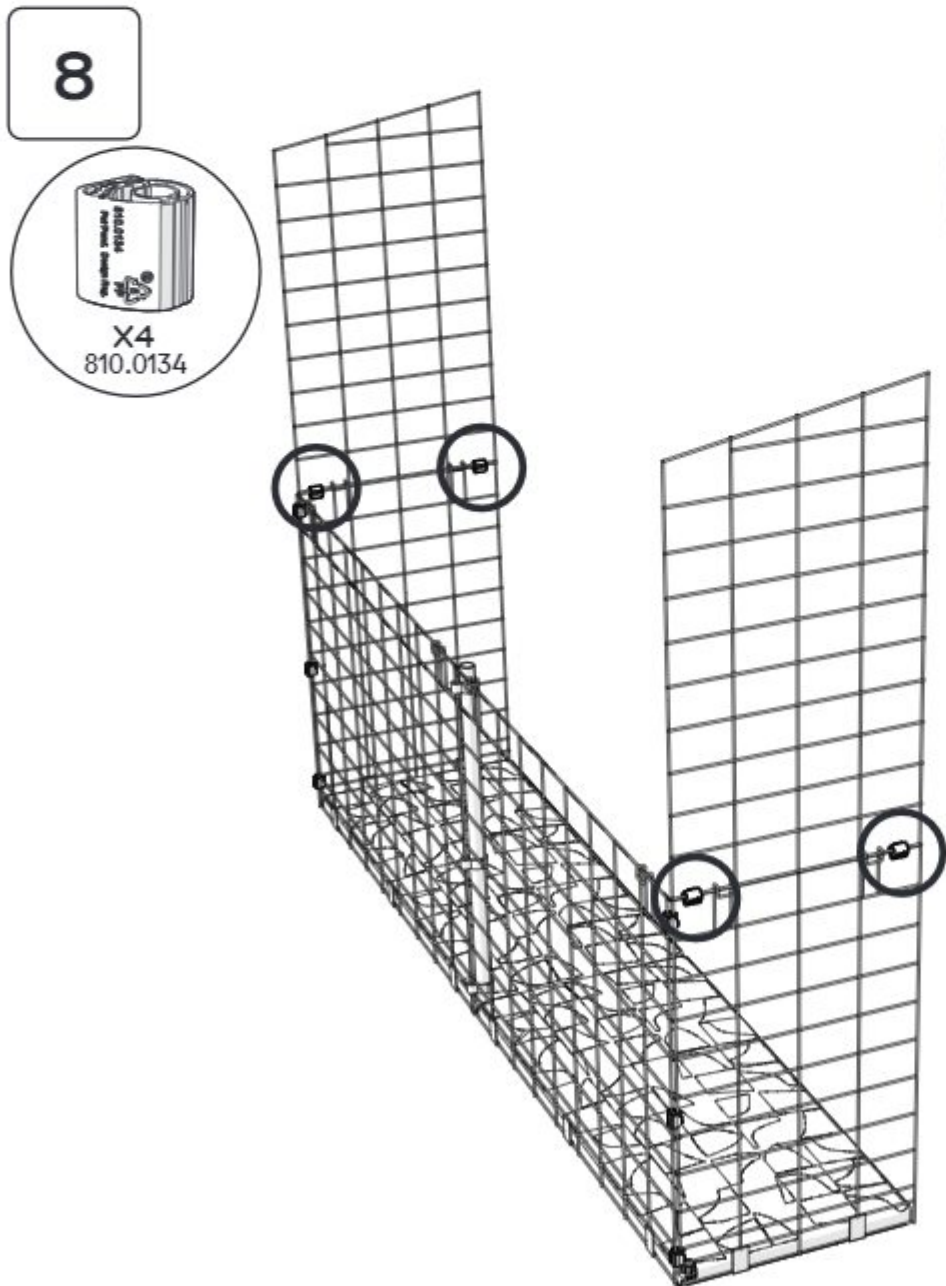
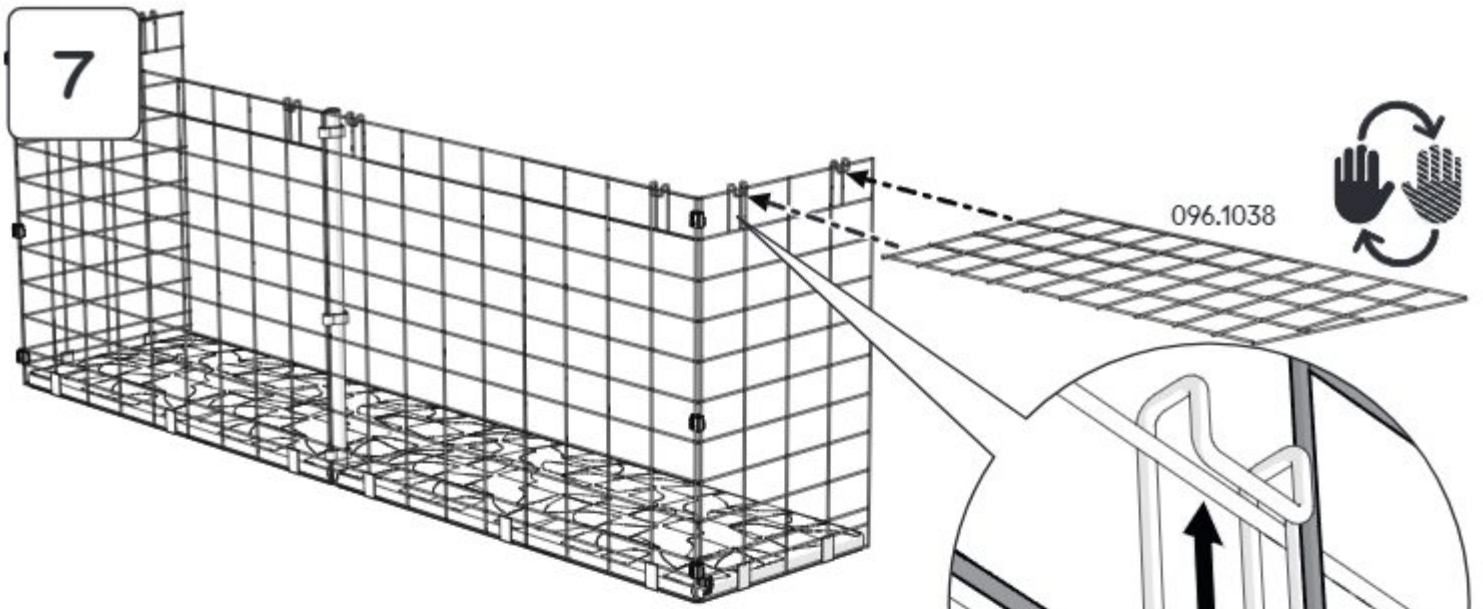
096.1041



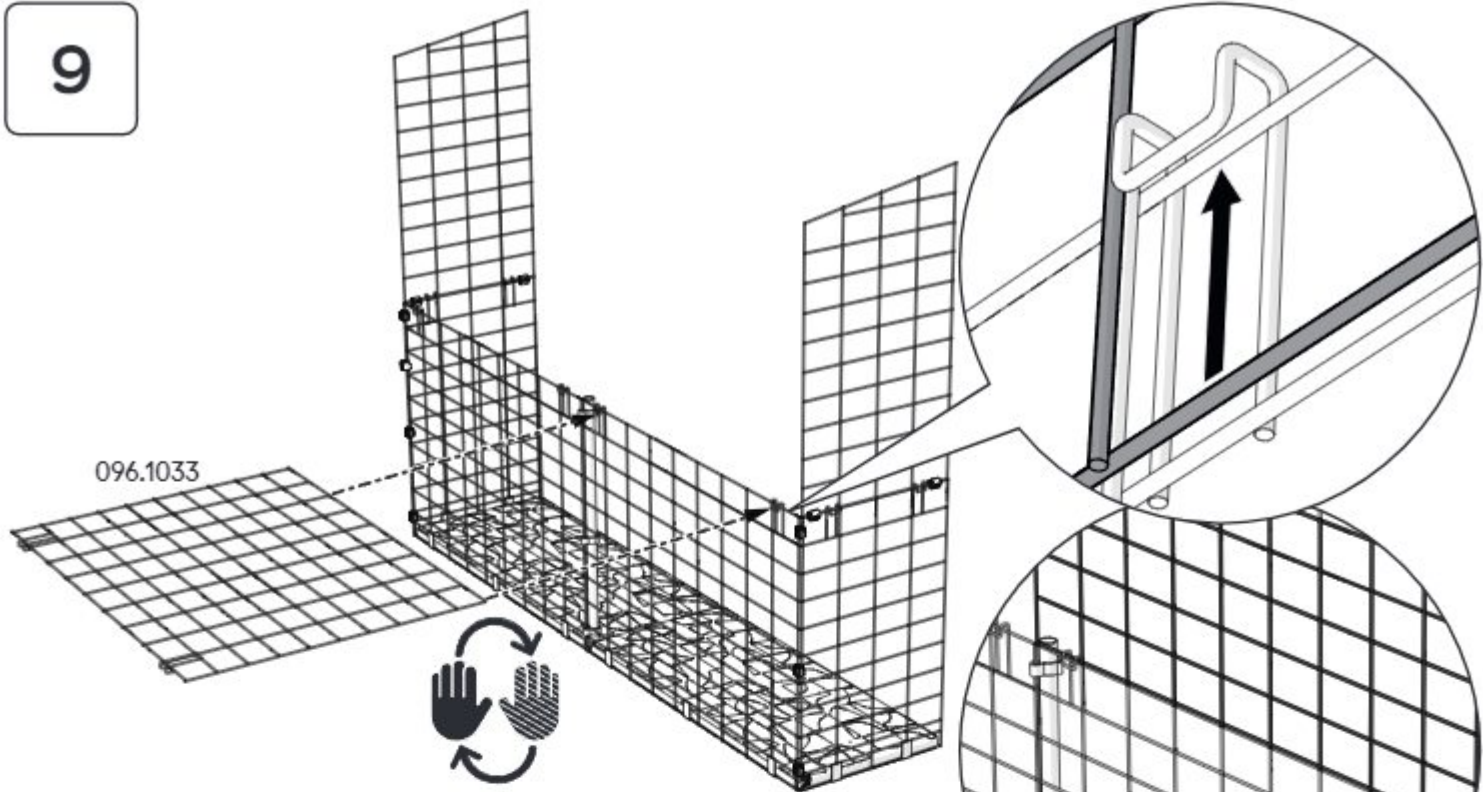
6

X3
810.0136

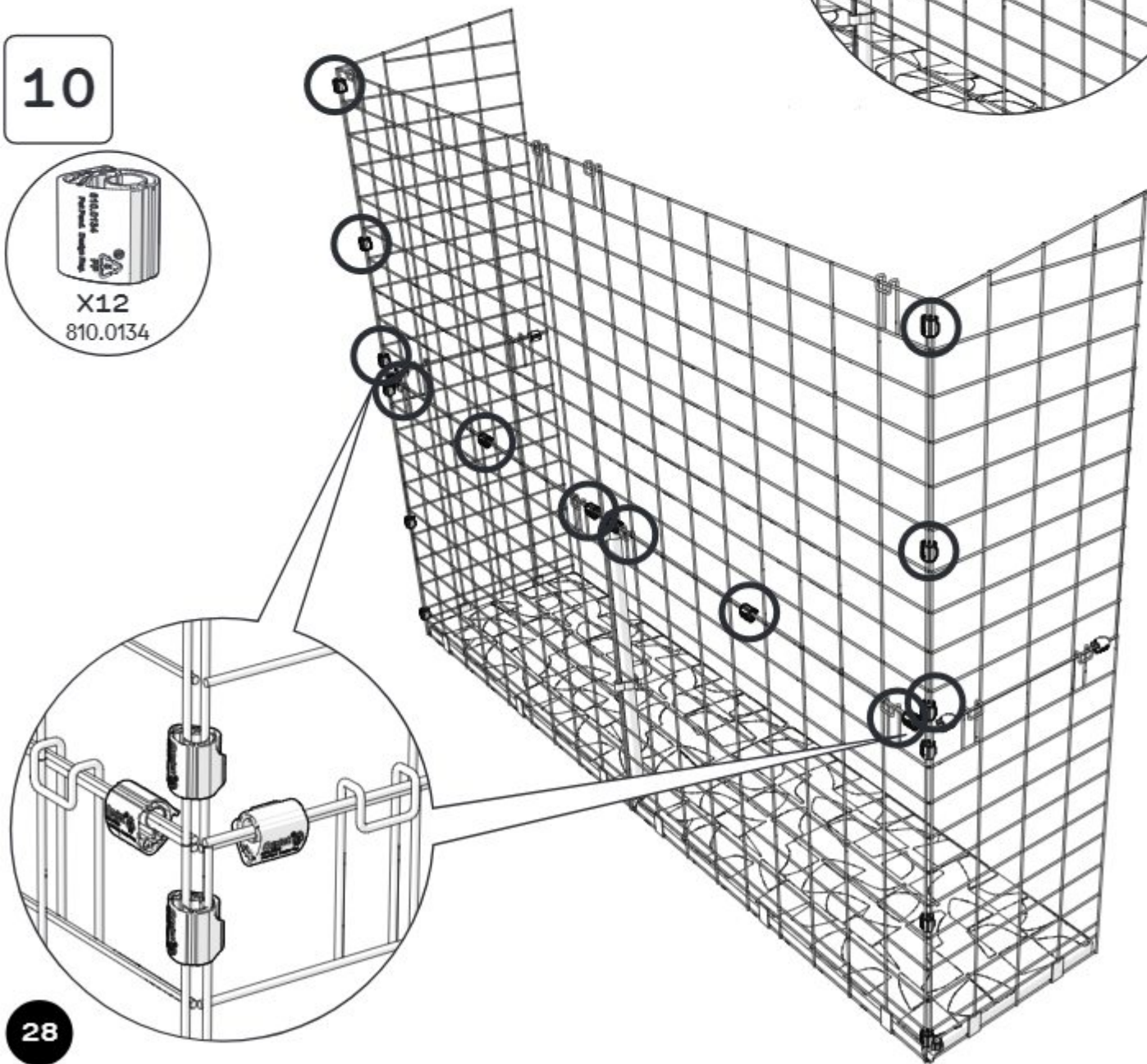




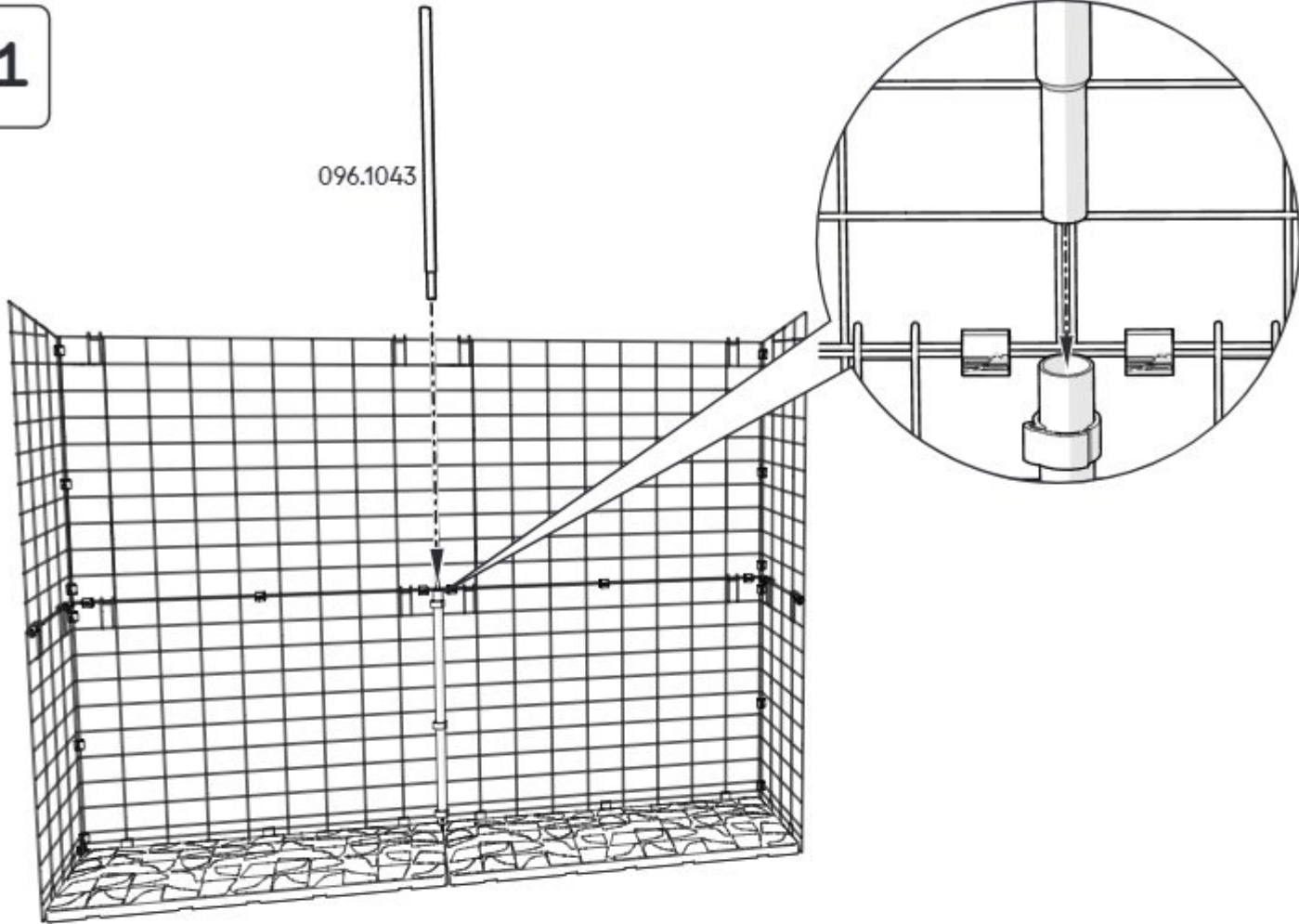
9



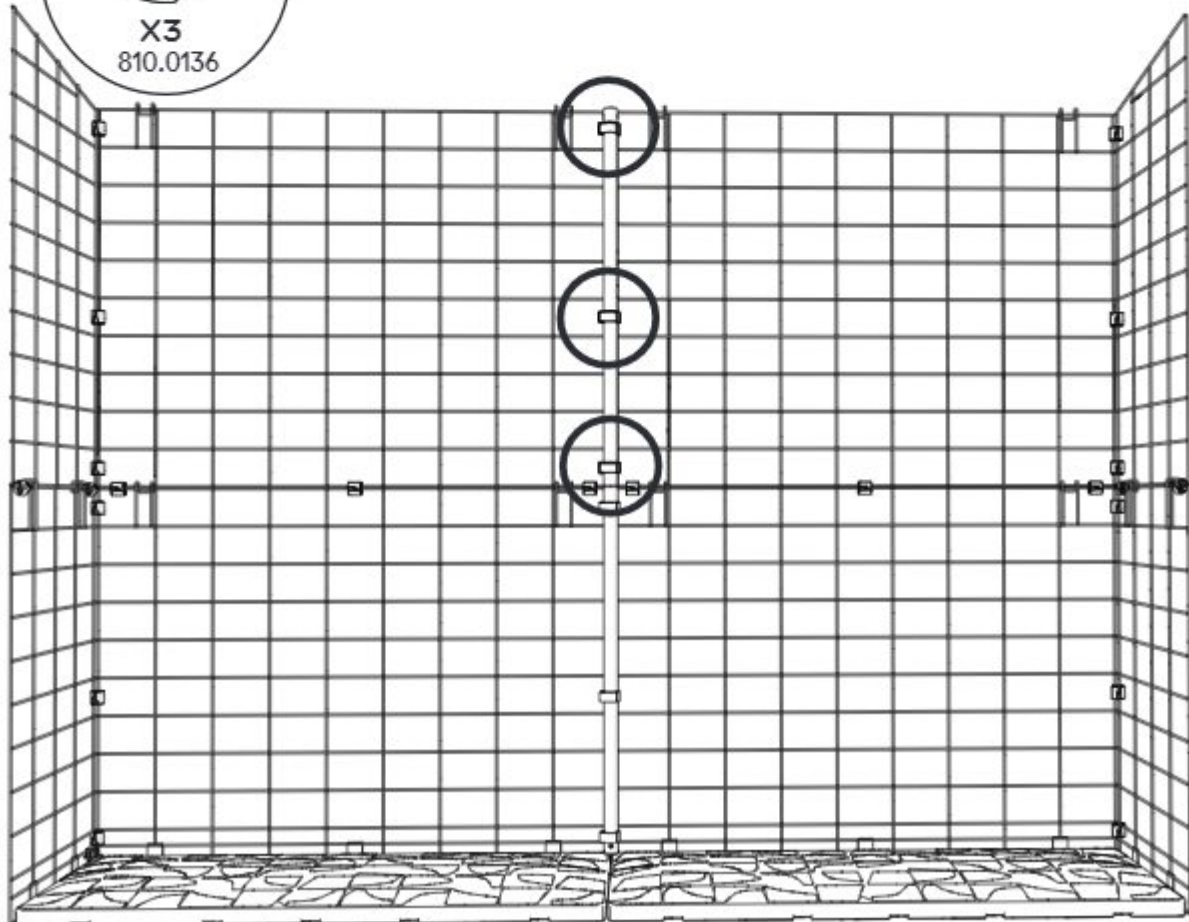
10



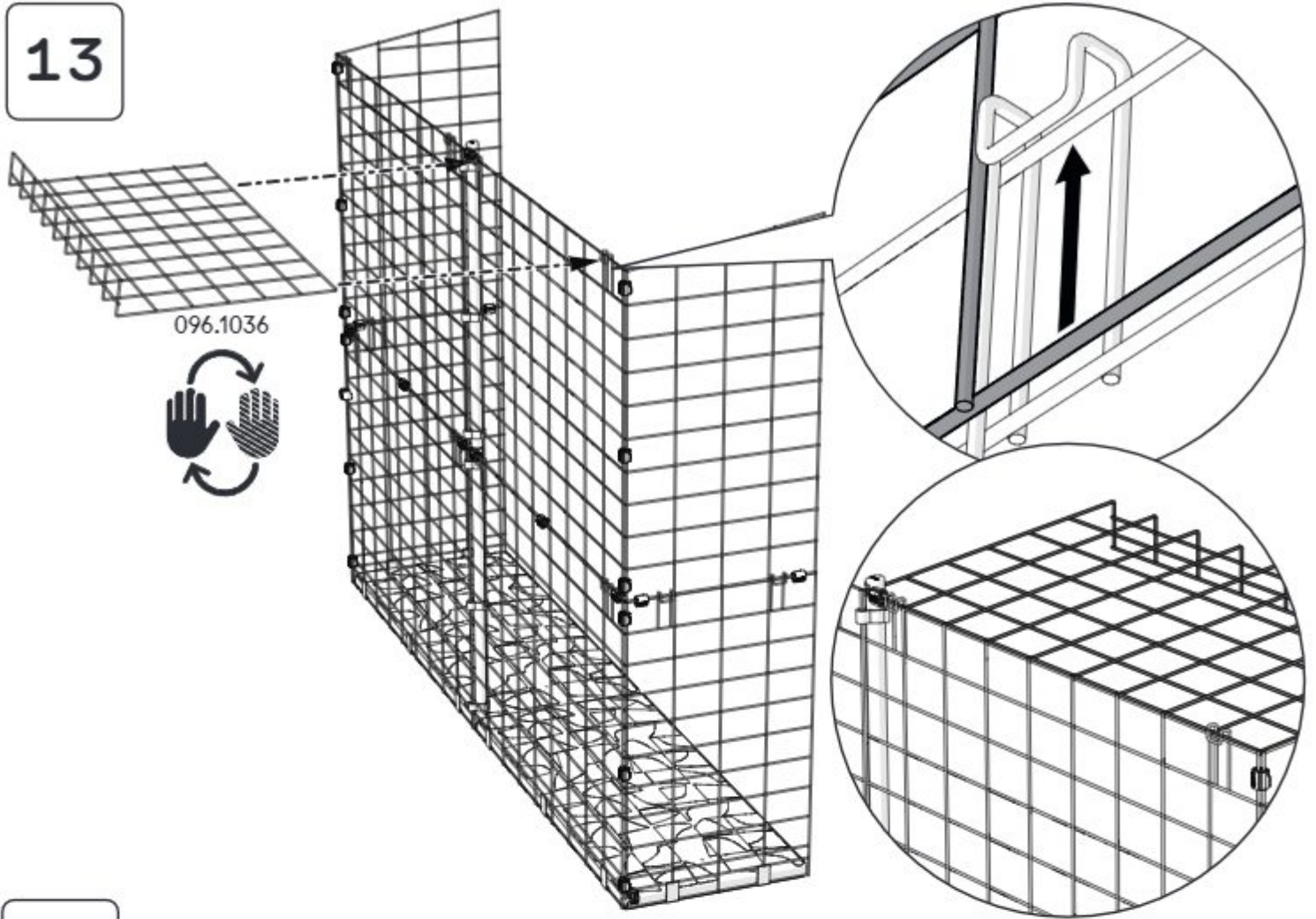
11



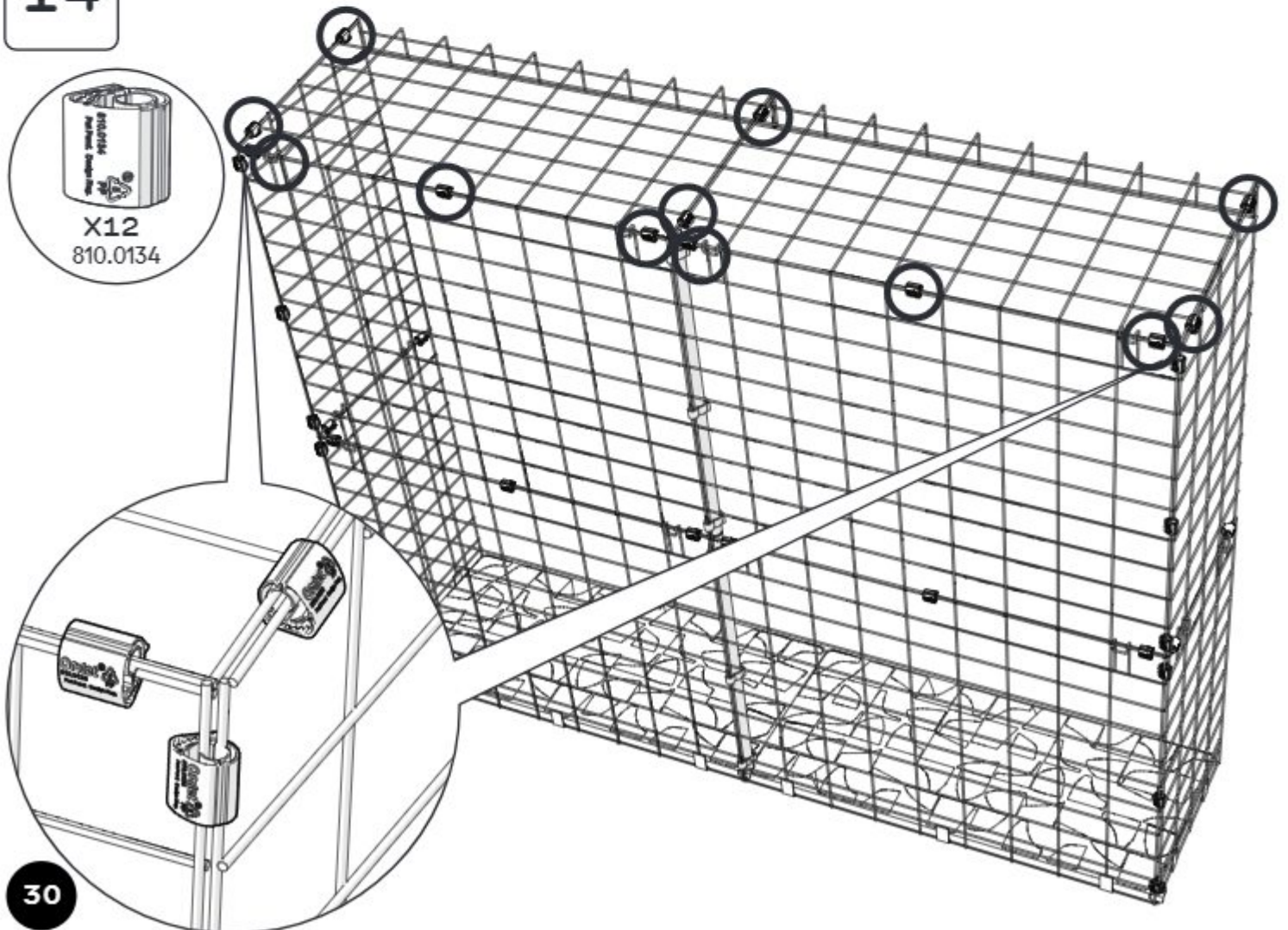
12



13

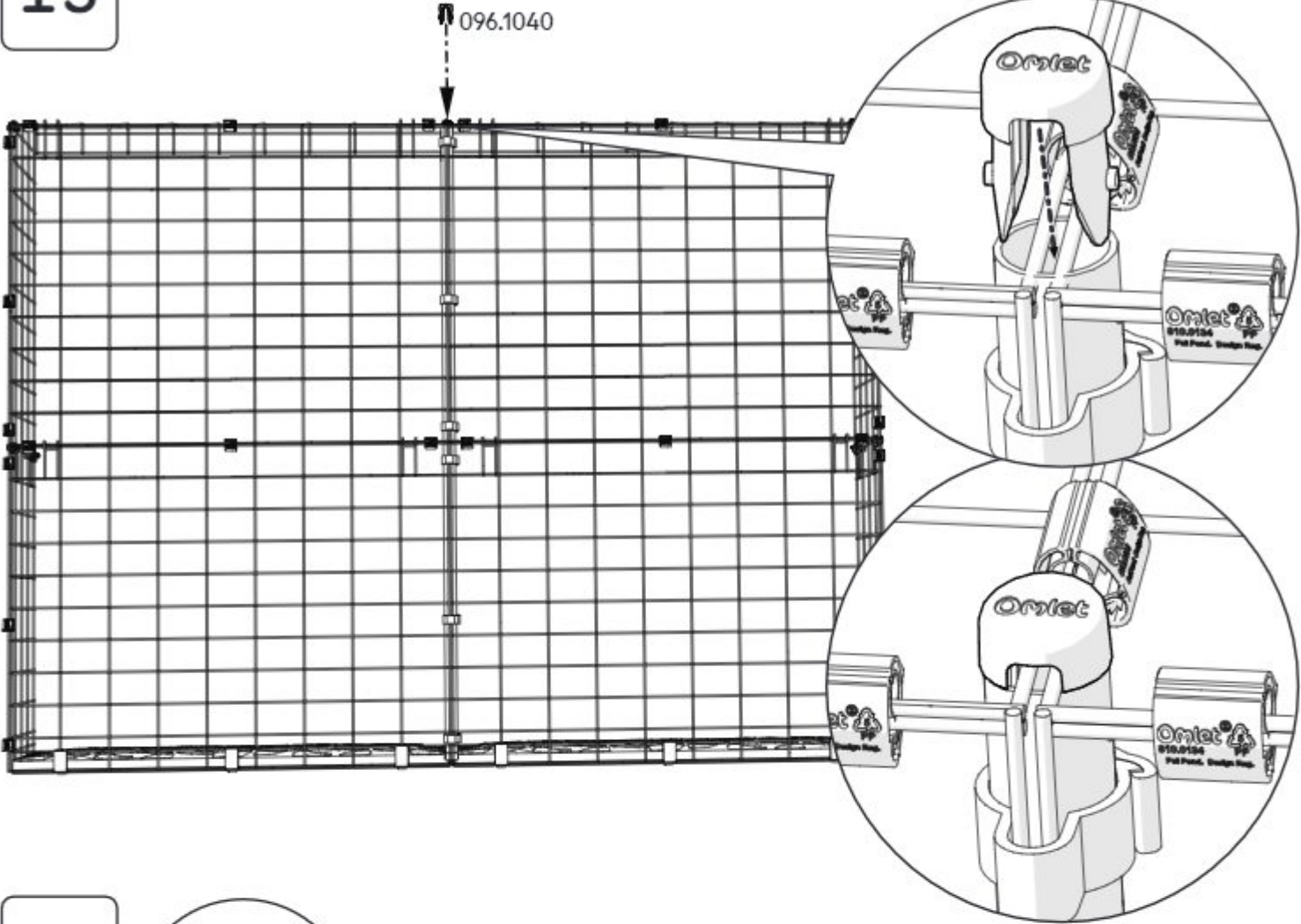


14

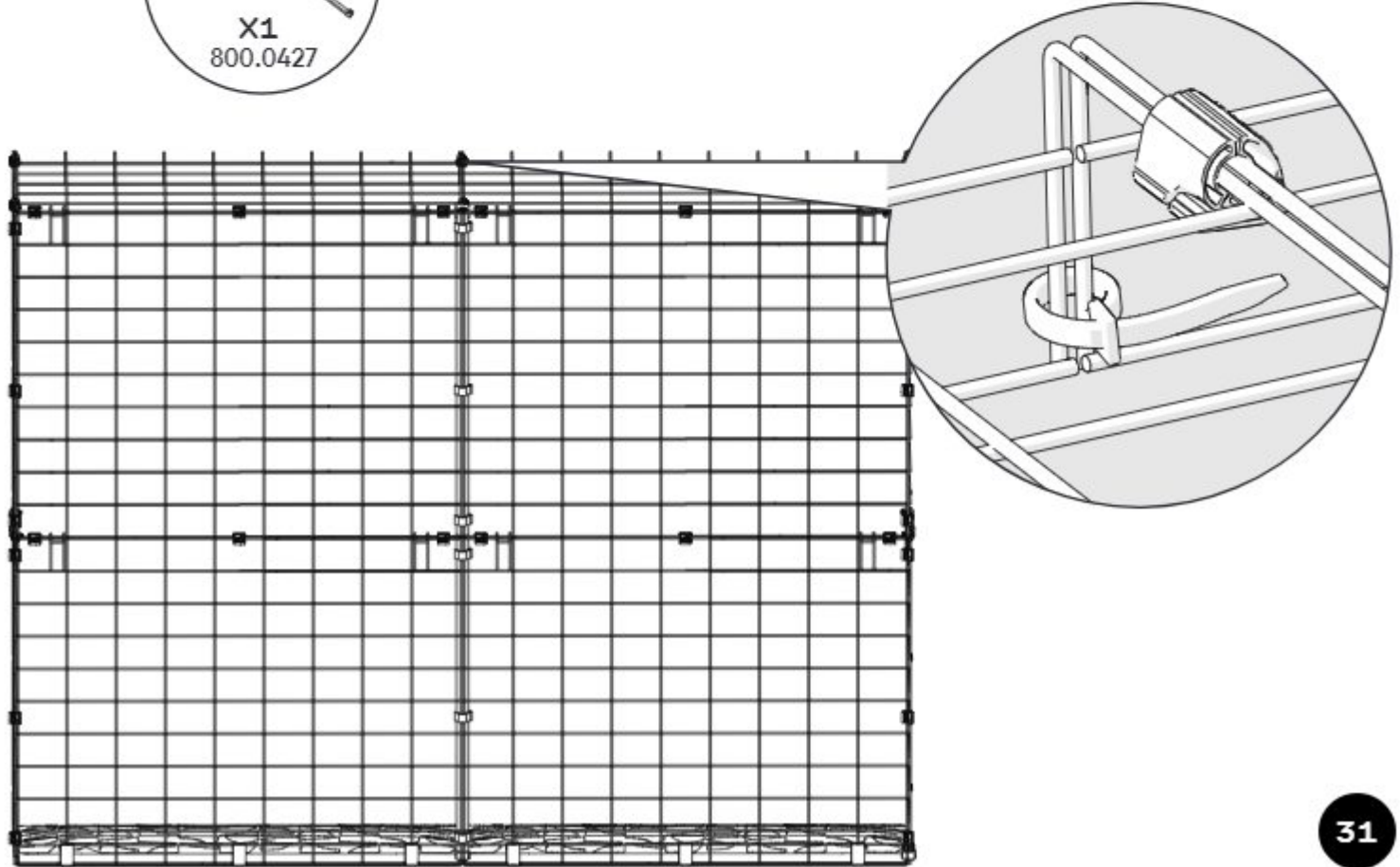


30

15

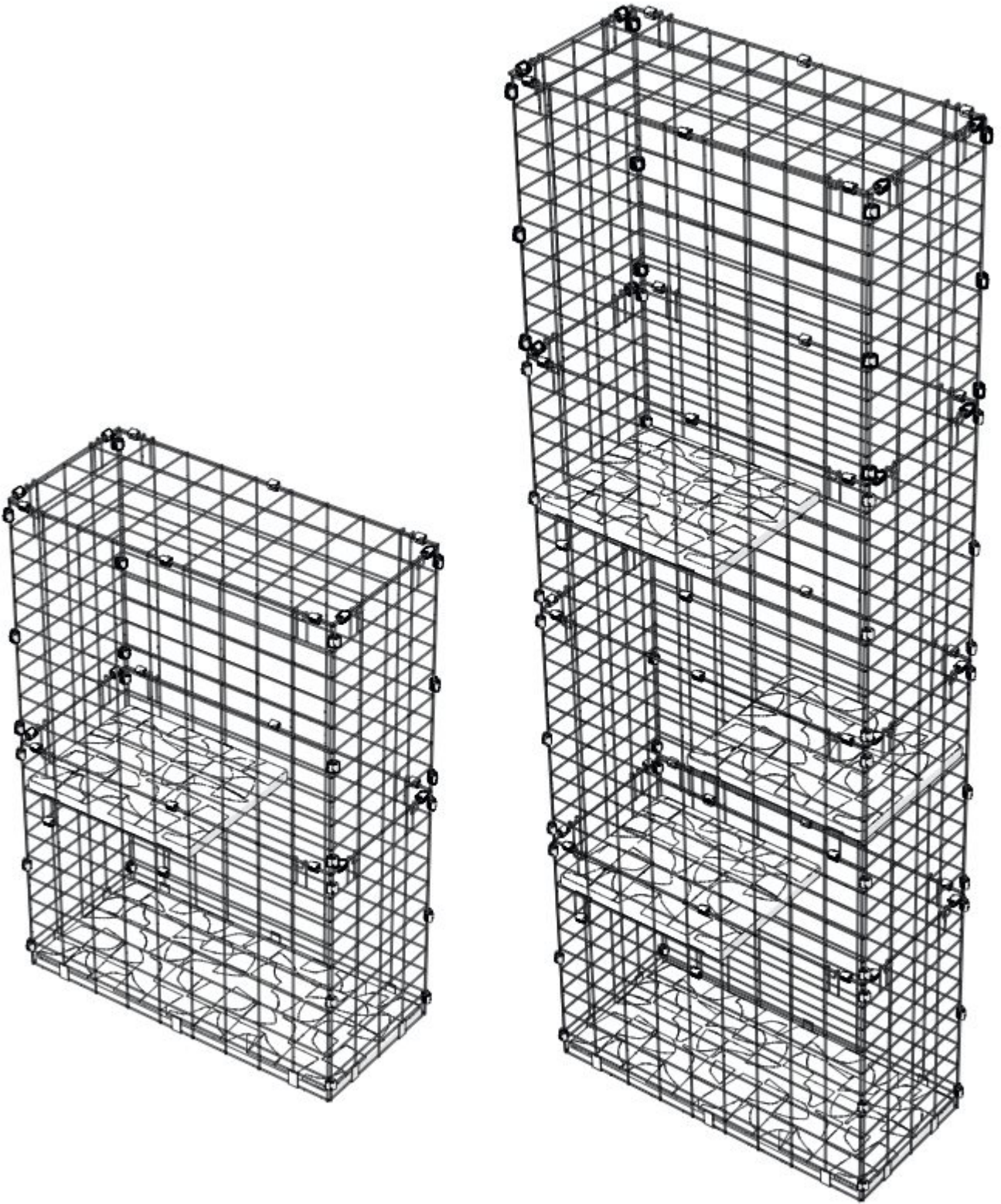


16



TOWER

Module Assembly

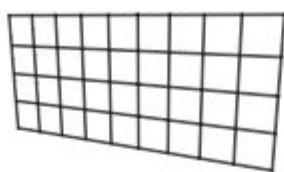


What you have received

096.0028 Boxed Tower



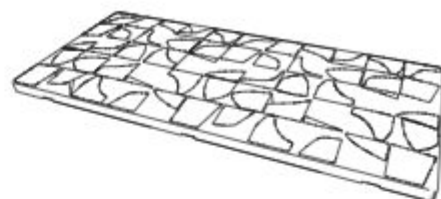
X1
Square Platform
096.1021



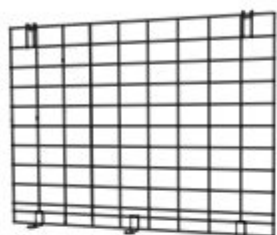
X1
Tower Top
096.1025



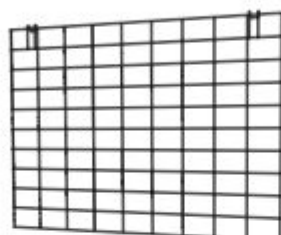
X2
Tower Platform Bracket
096.1026



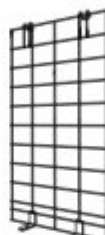
X1
Window Box Platform
096.1031



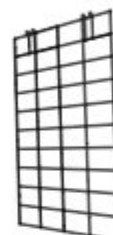
X2
Window Box Front Panel
096.1032



X2
Window Box Front
Extension
096.1033



X2
Window Box Side Panel
096.1034



X2
Window Box Side Extension
096.1035



X2
Mesh Edge Protector 250
810.0410



X2
Mesh Edge Protector 330
810.0411

096.0105 Fixings Pack Tower



X2
Platform Connection Bracket
096.1101



X4
Connection Hook
096.1103



X17
Nylon Washer M6
800.0323



X17
M6 x 12mm Bolt
800.0353



X6
Cable Tie
3 x 200mm
800.0427



X48
Mighty Clip C
810.0134

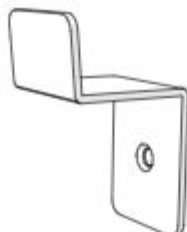


X1
4mm Allen Key
810.1122

096.0116 Wall Mounting Fixings Pack Tower



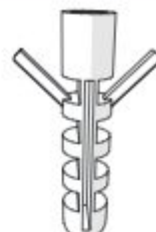
X15
Wall Mounting Clip
096.1045



X2
Wall Mounted Bracket
096.1102



X20
Woodscrew
4 x 30mm
800.0366



X20
Wall Plug
800.0392

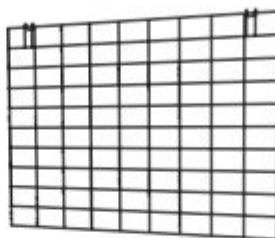
096.0029 Boxed Tower Vertical Extension



X2
Square Platform
096.1021



X4
Tower Platform Bracket
096.1026



X4
Window Box Front
Extension
096.1033



X4
Window Box Side Extension
096.1035

096.0106 Fixings Pack Tower Vertical Extension



X8
Nylon Washer M6
800.0323



X12
M6 x 12mm Bolt
800.0353



X6
Cable Tie
3 x 200mm
800.0427



X52
Mighty Clip C
810.0134

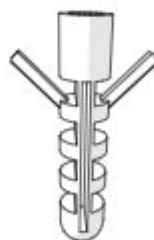
096.0117 Wall Mounting Fixings Pack Tower Extension



x12
Wall Mounting Clip
096.1045

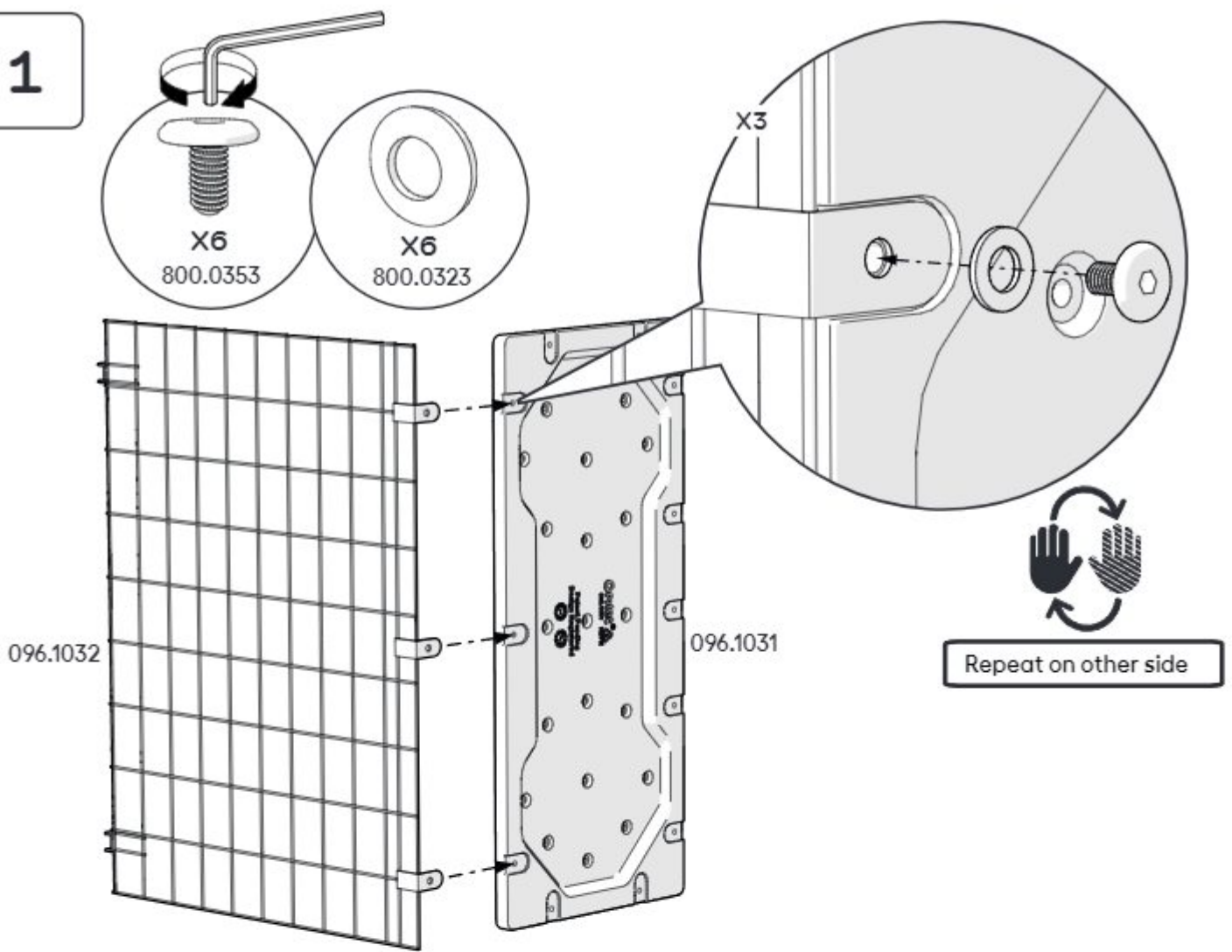


x12
Woodscrew
4 x 30mm
800.0366

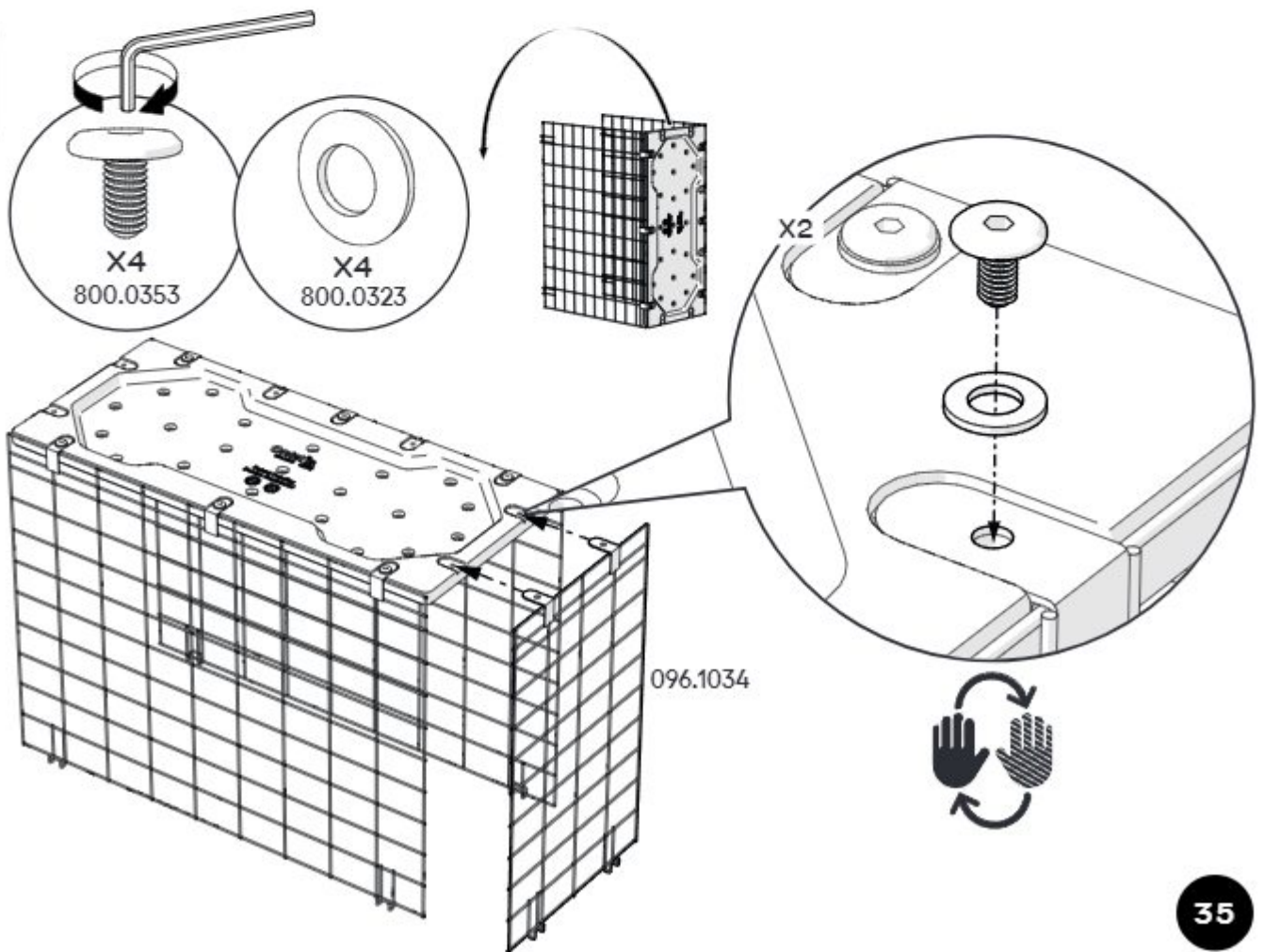


x12
Wall Plug
800.0392

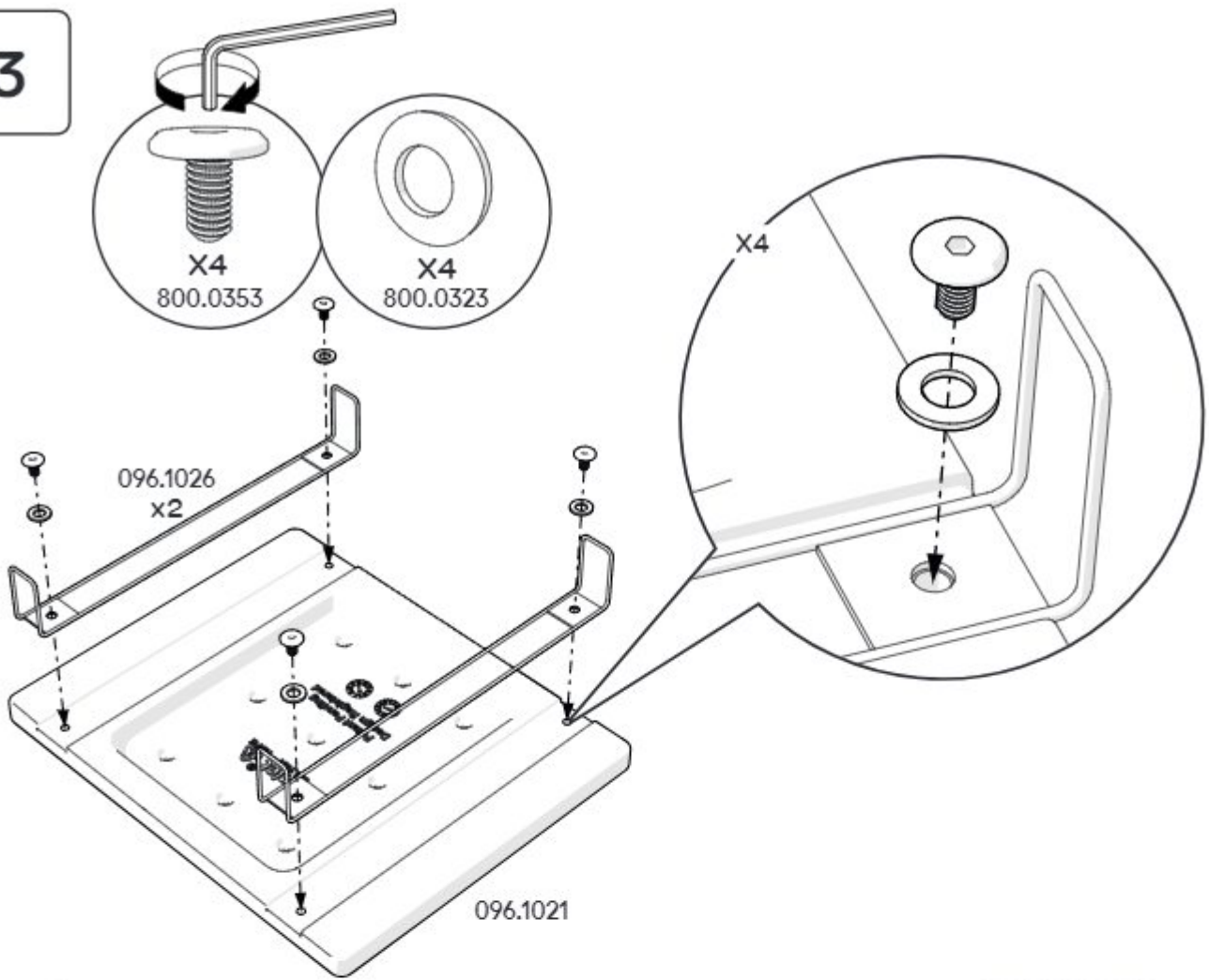
1



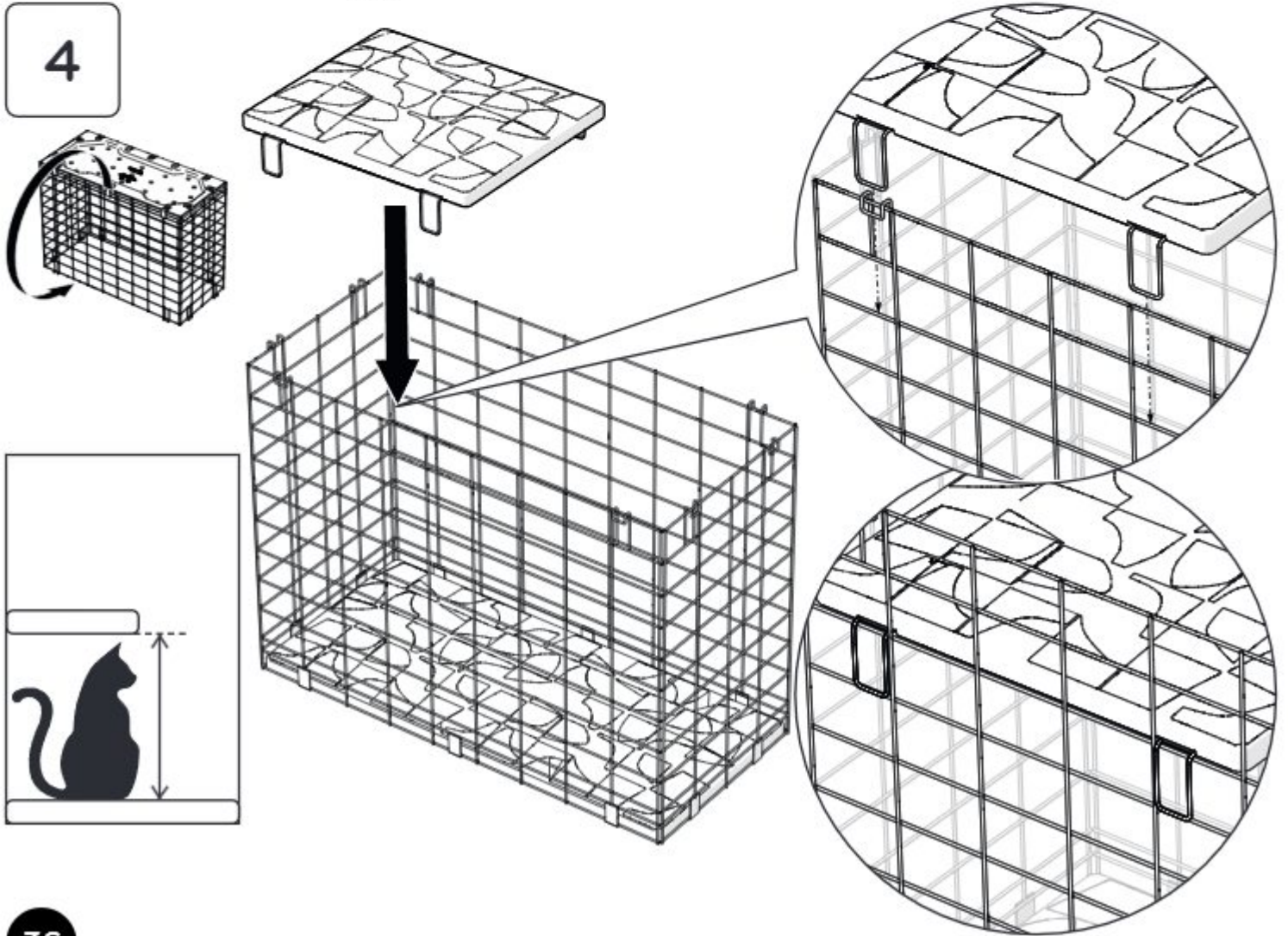
2



3



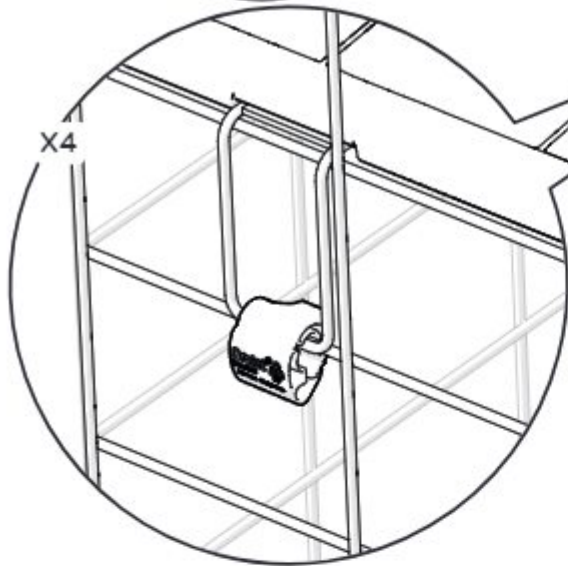
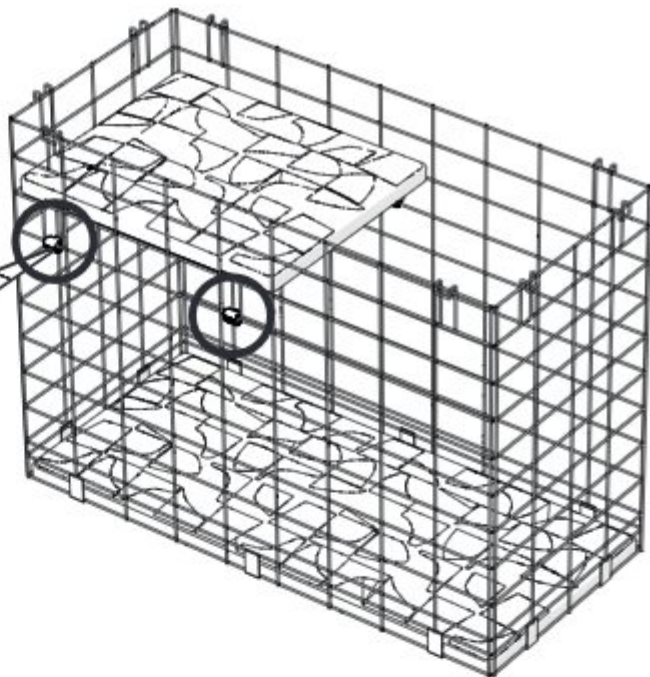
4



5



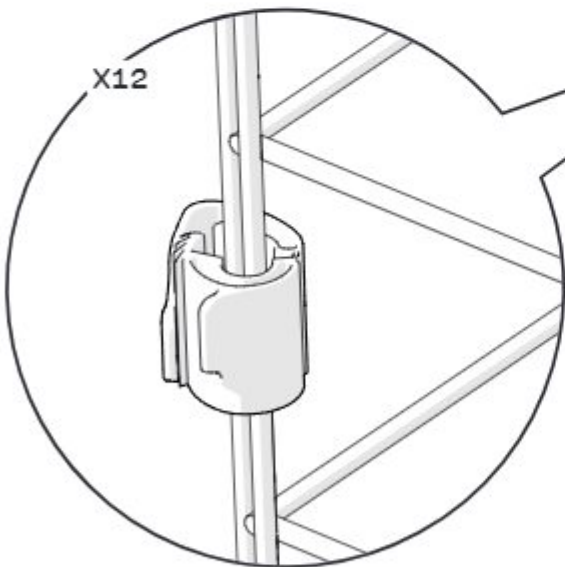
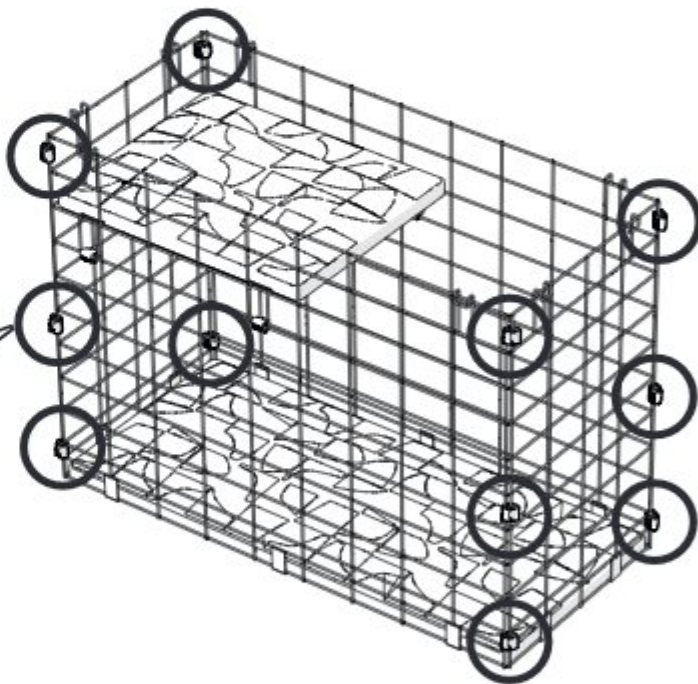
X4
810.0134



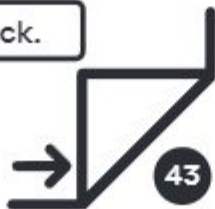
6



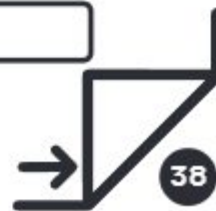
X12
810.0134



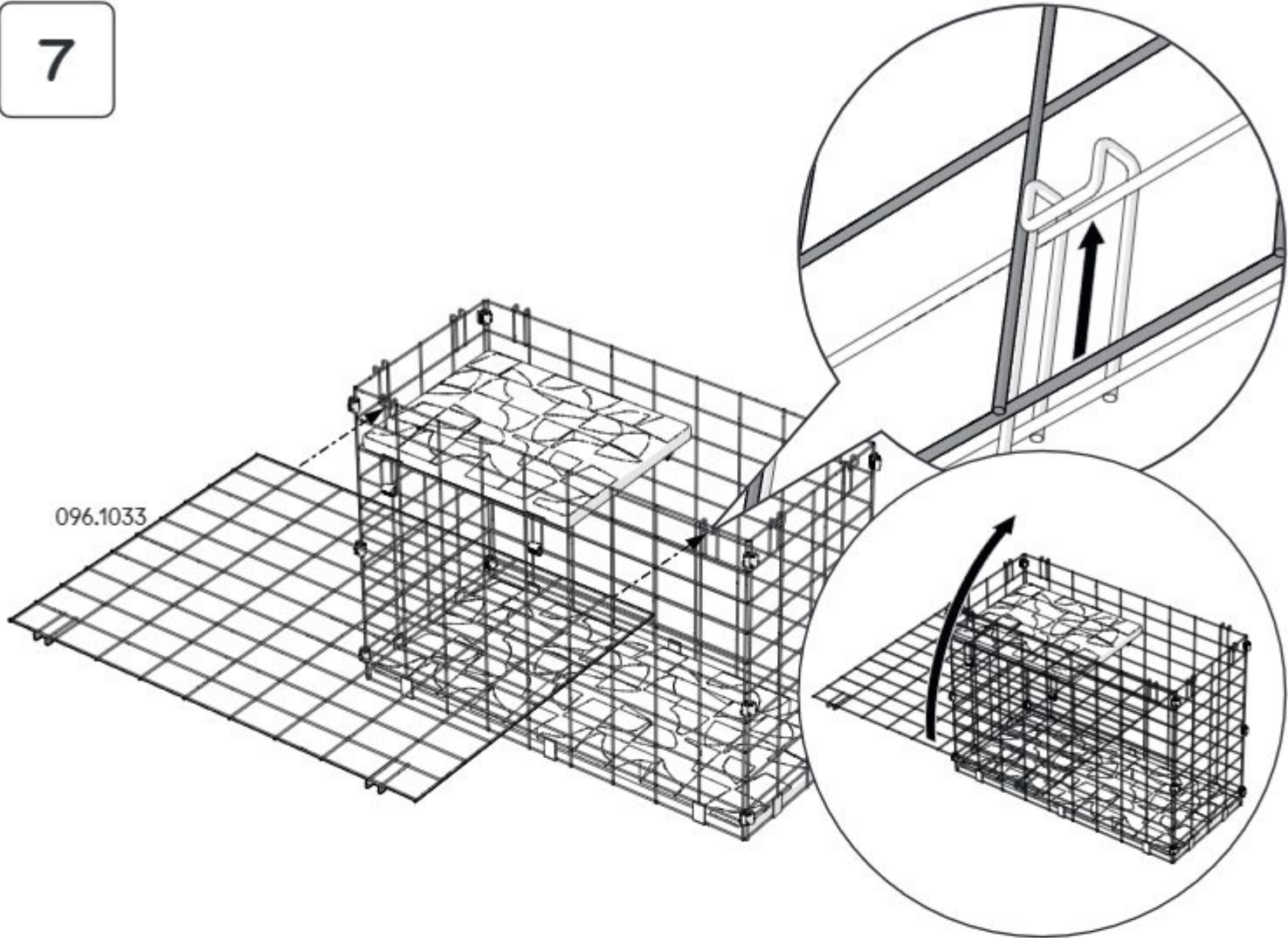
! If you have an extension pack.



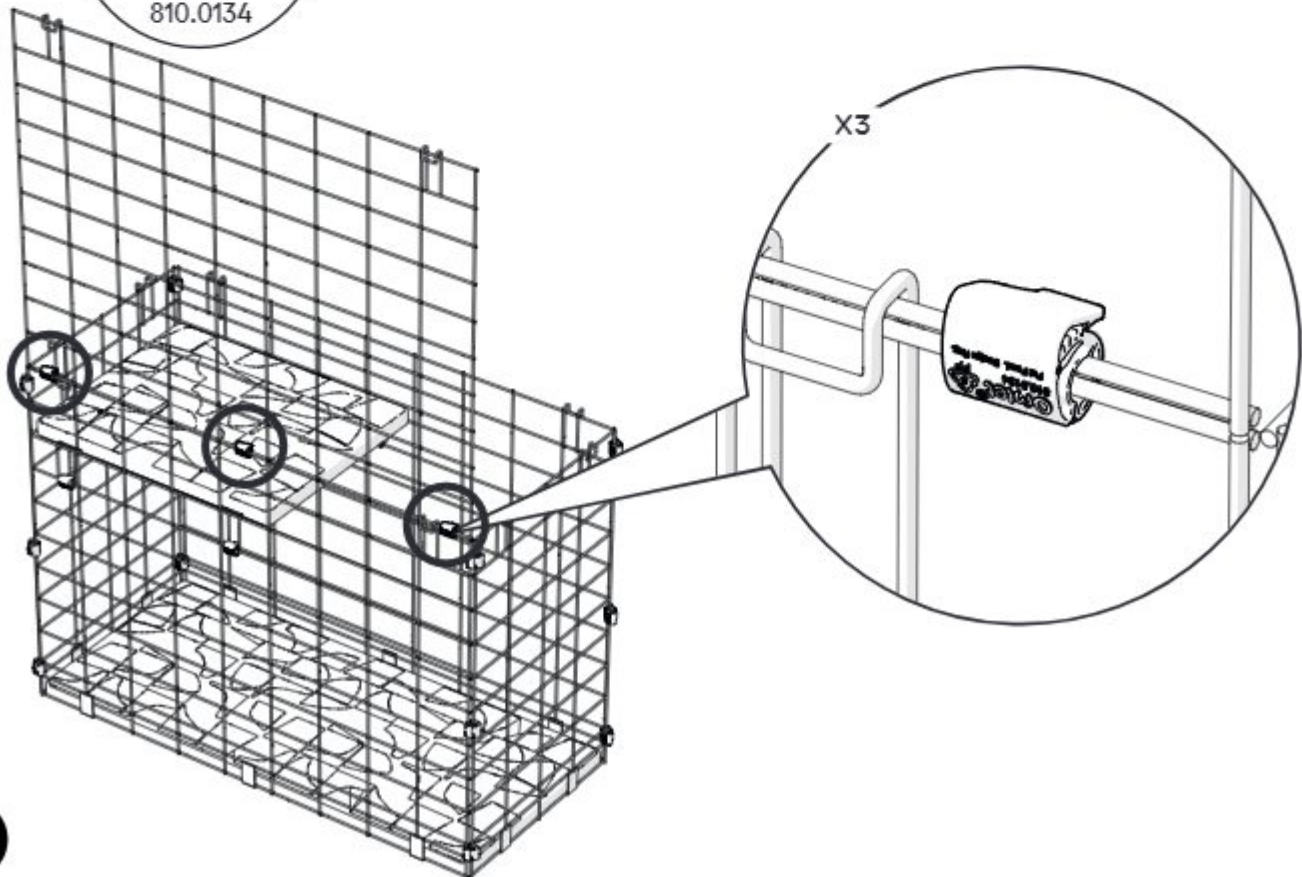
! If not...



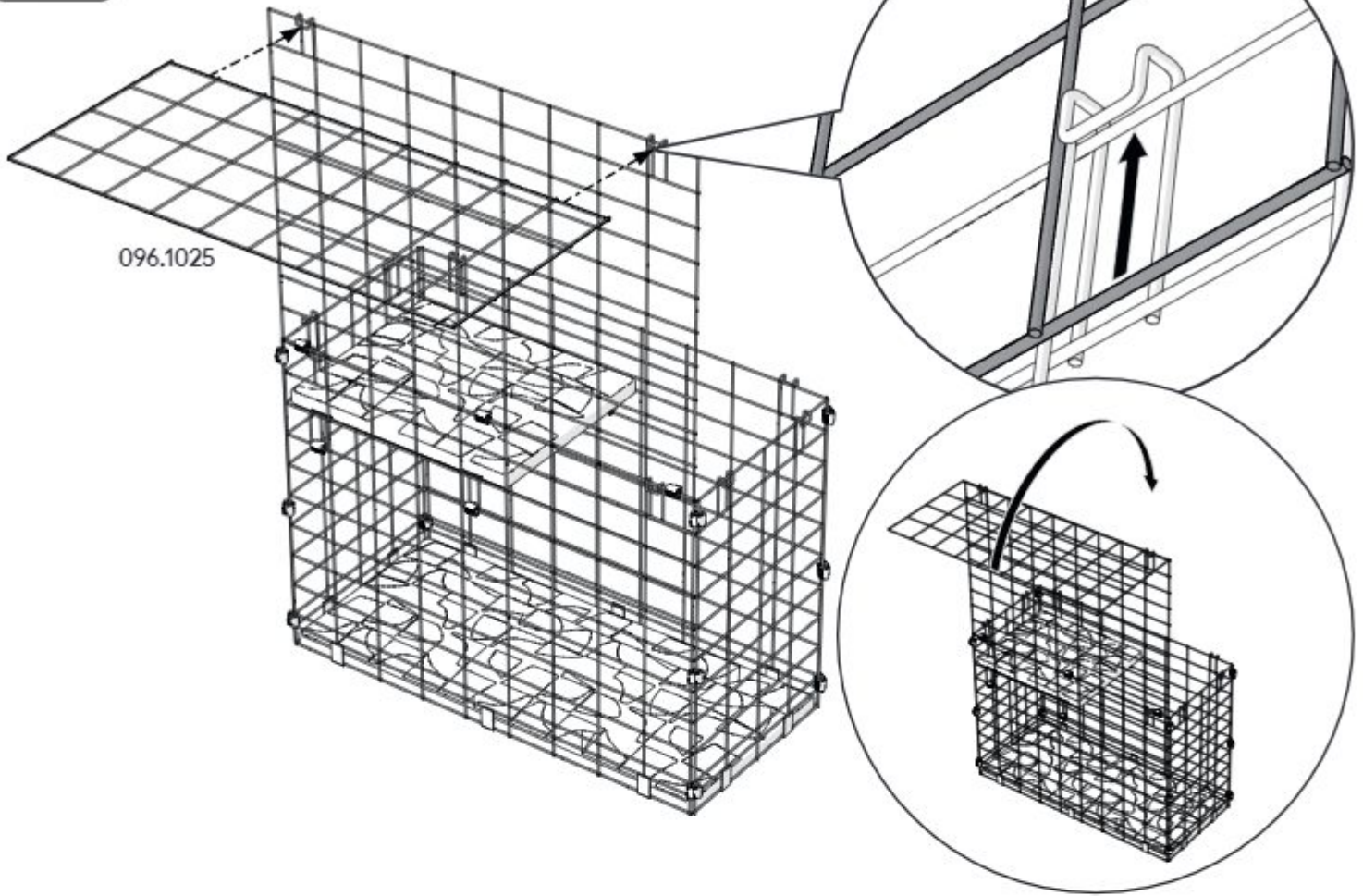
7



8



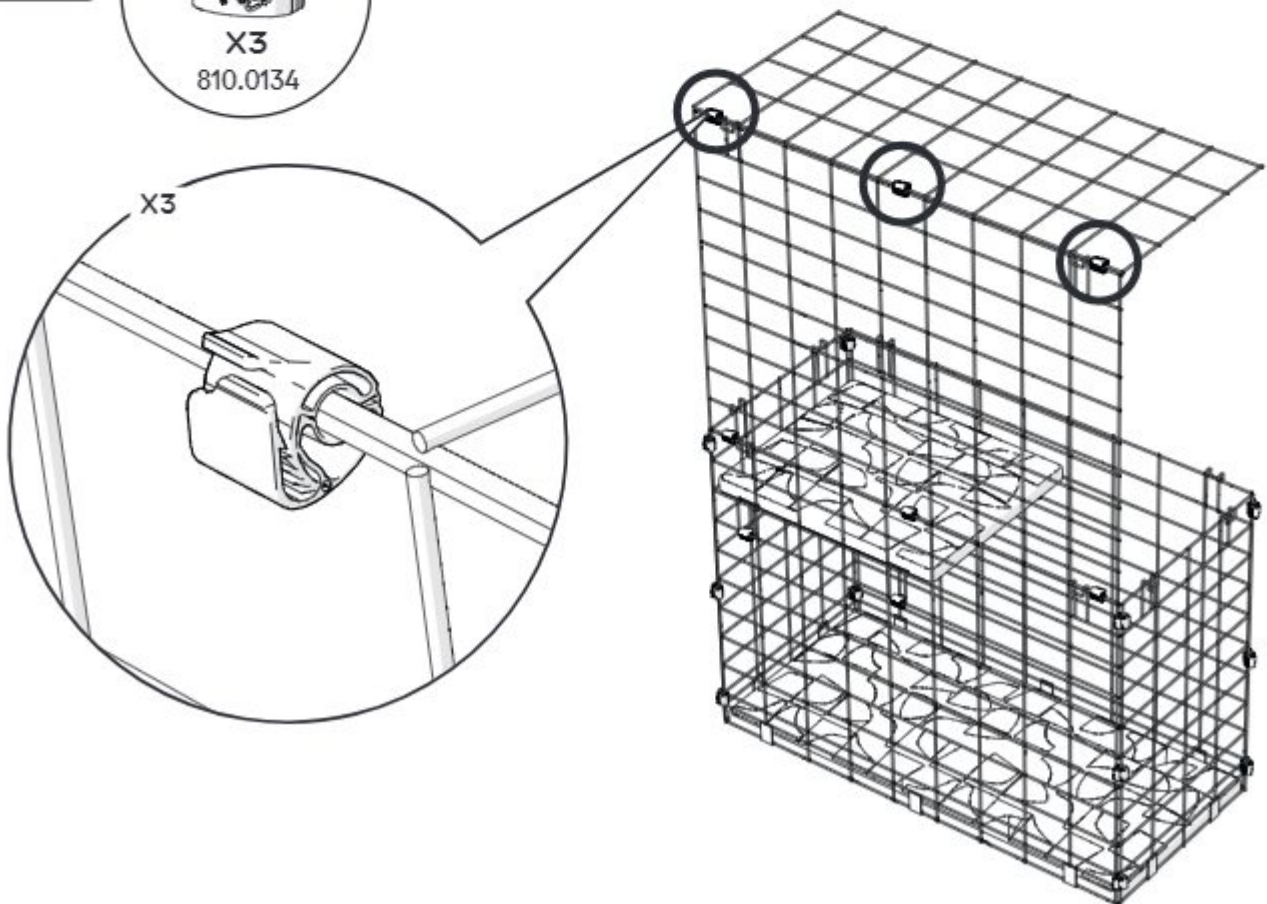
9



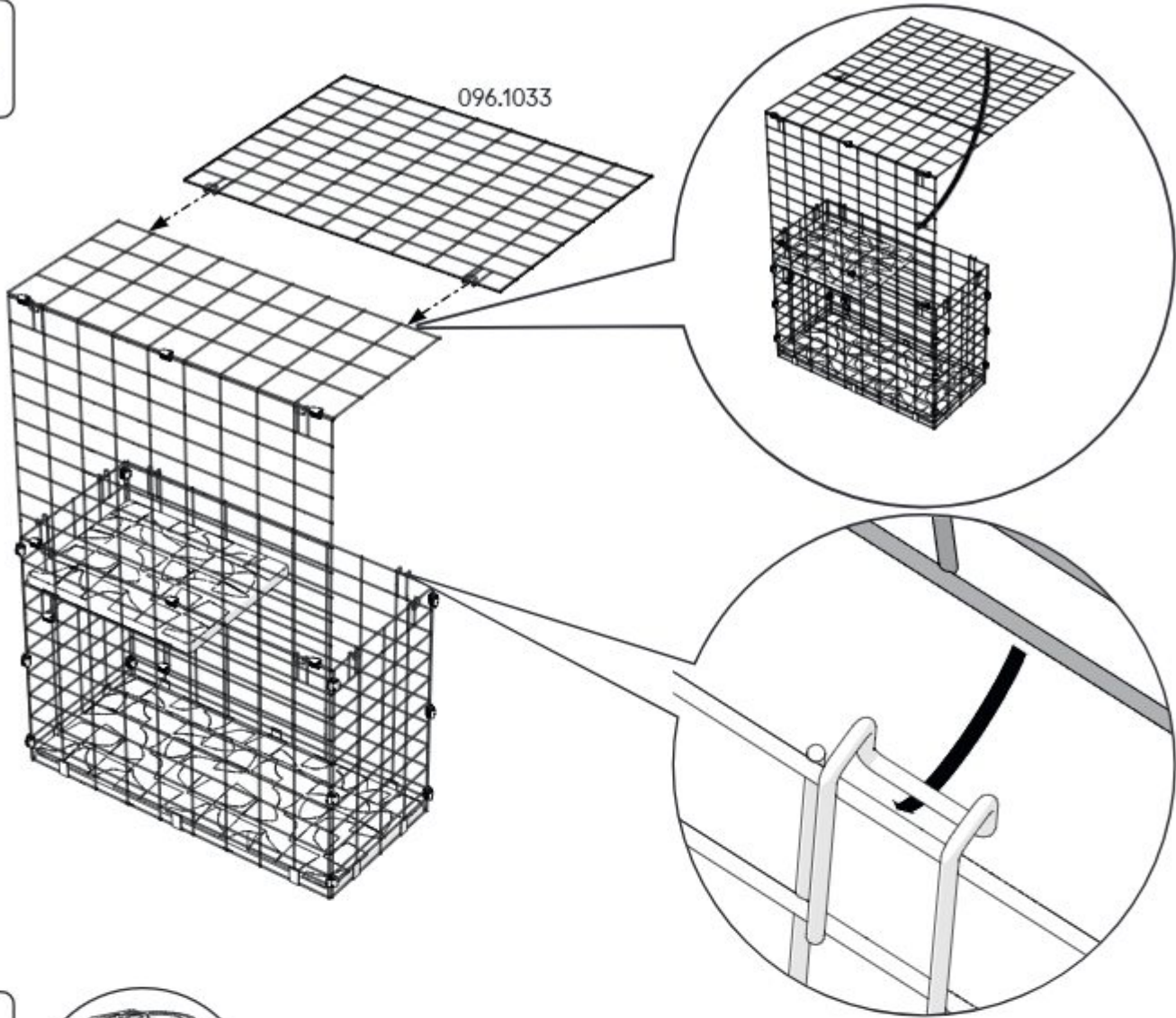
10



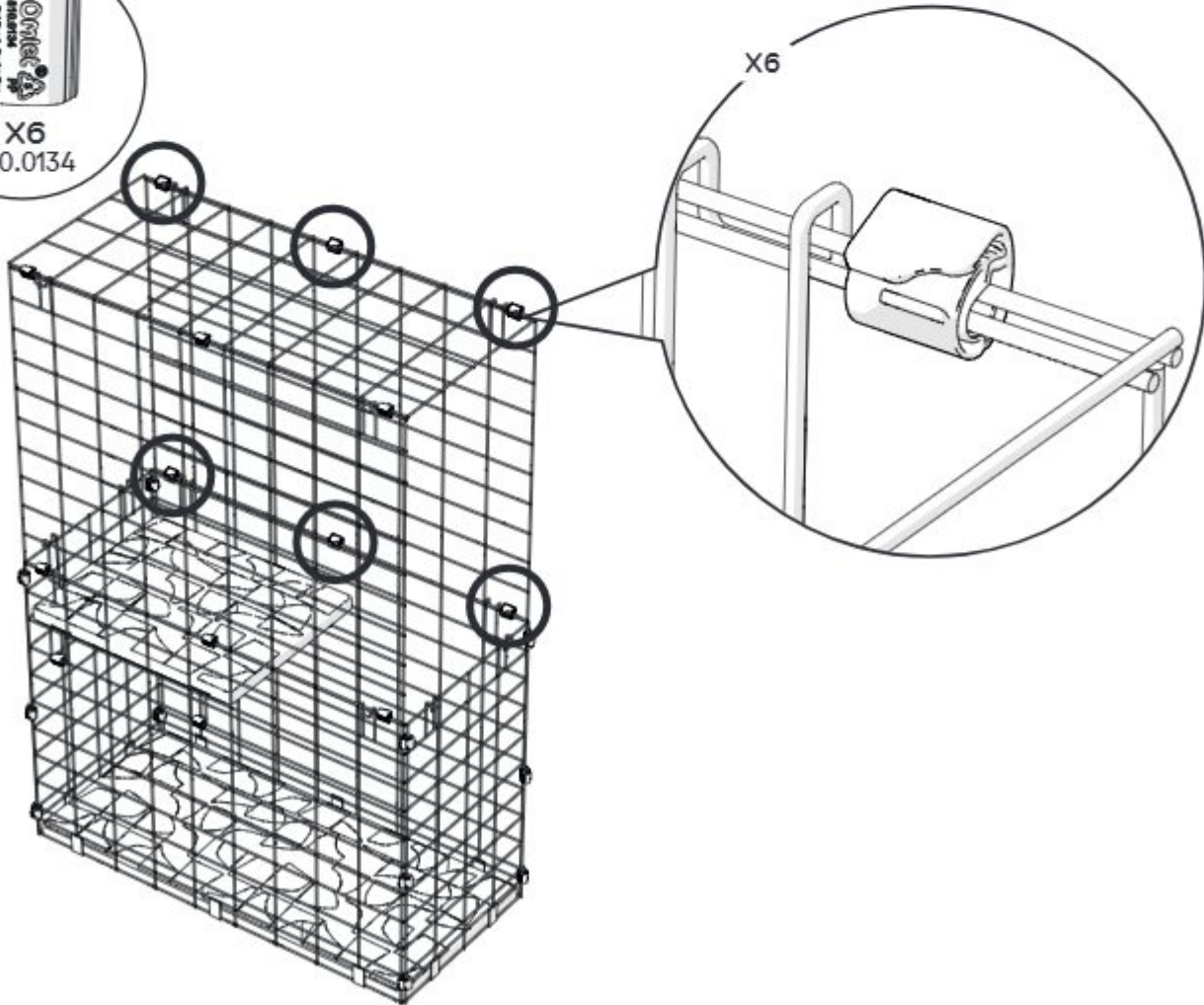
X3
810.0134

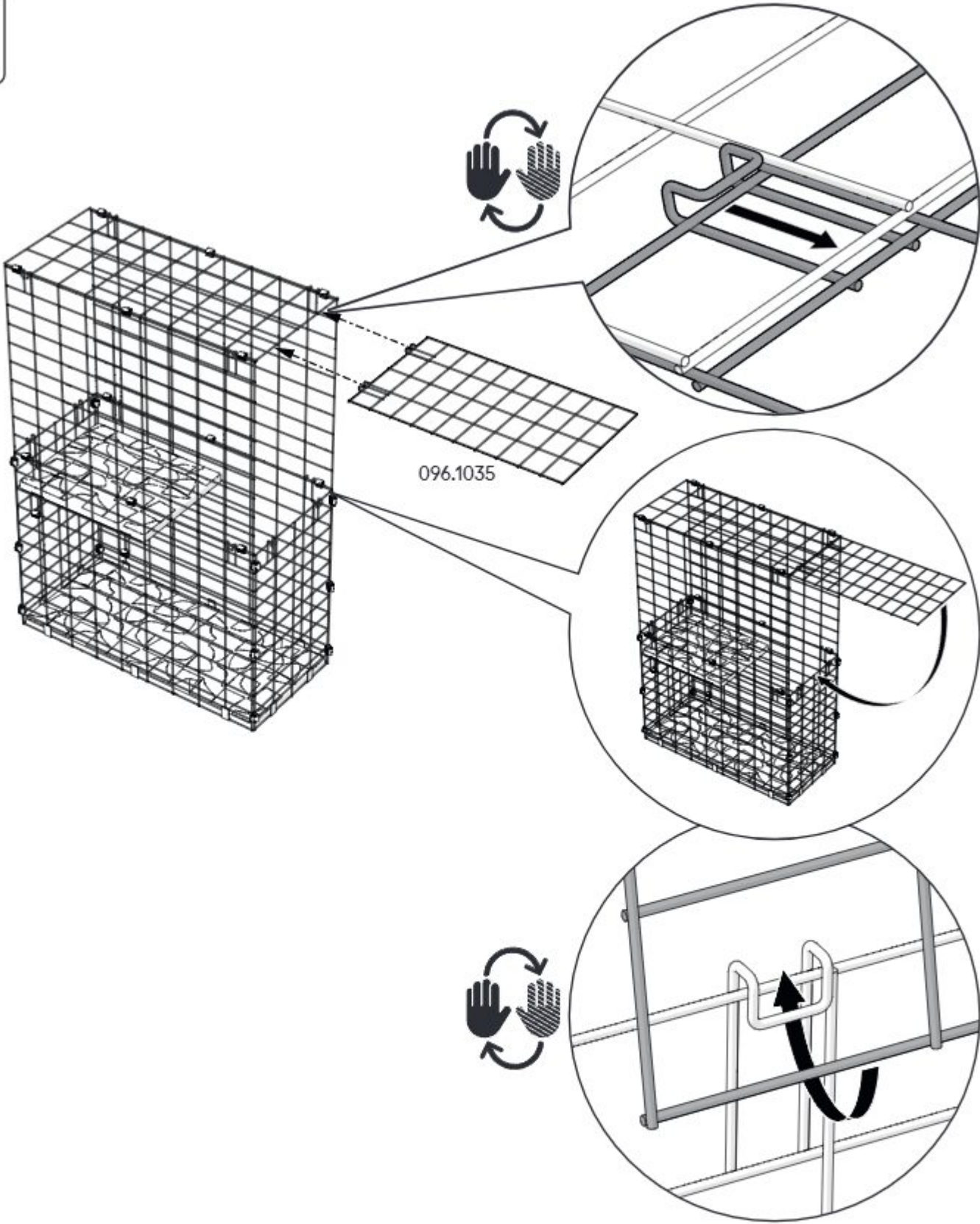


11



12

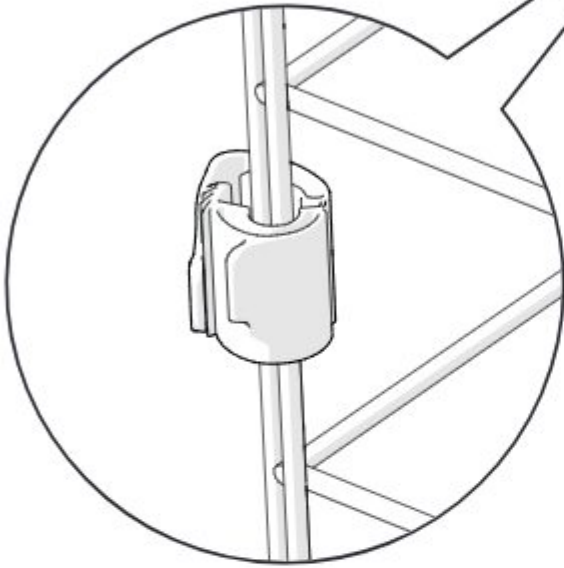
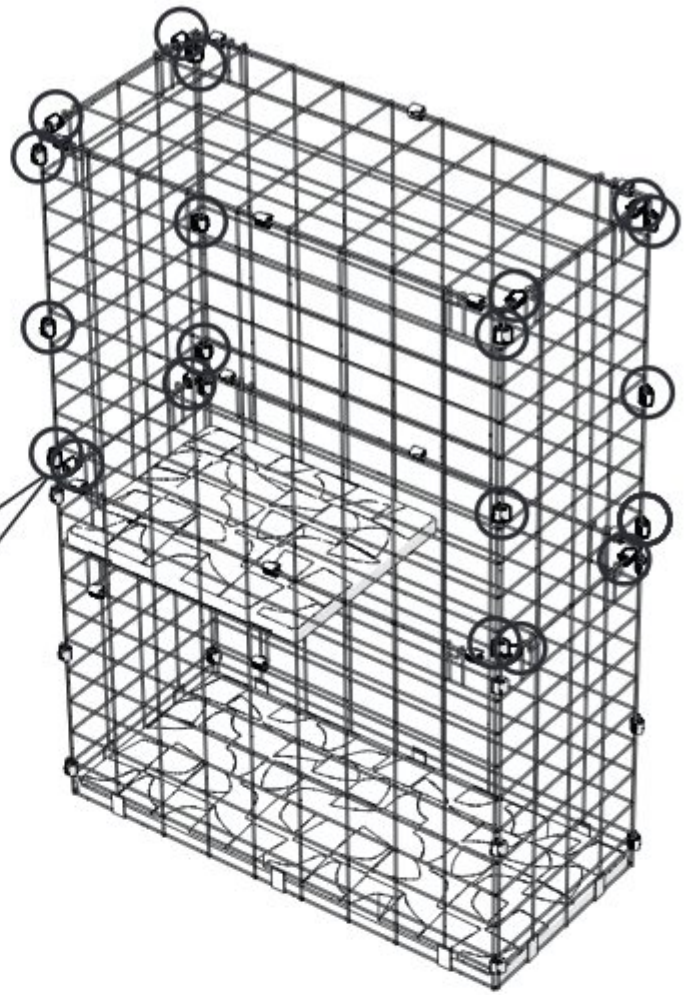




14



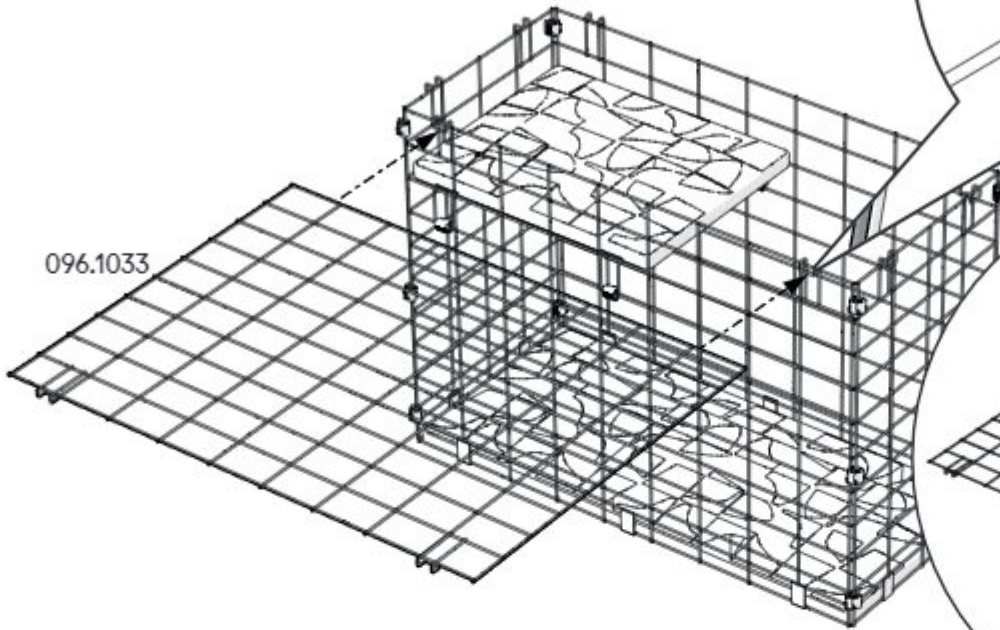
X20
810.0134



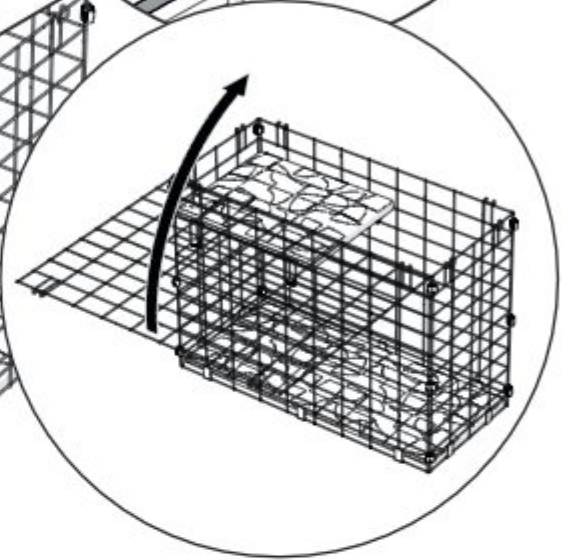
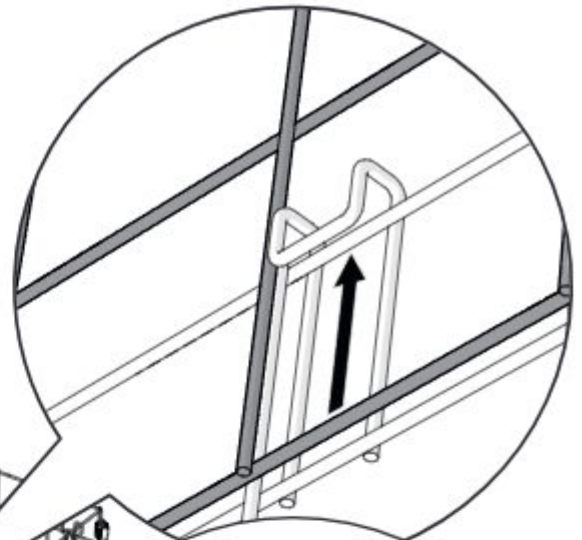
! Tower complete - assemble your remaining modules or go to page 65 and for attachment options of the different modules.

15

2m + Tower Assembly



096.1033

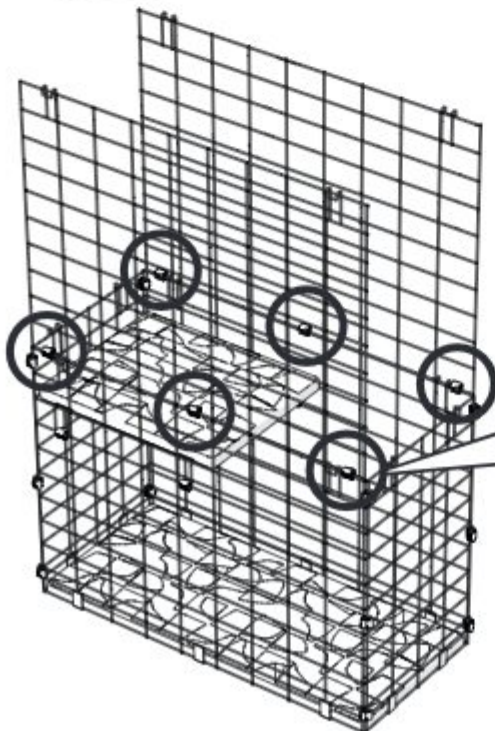


16

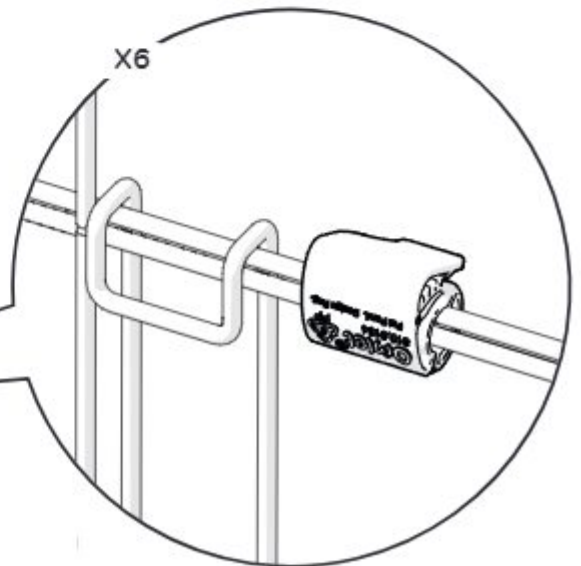


X6

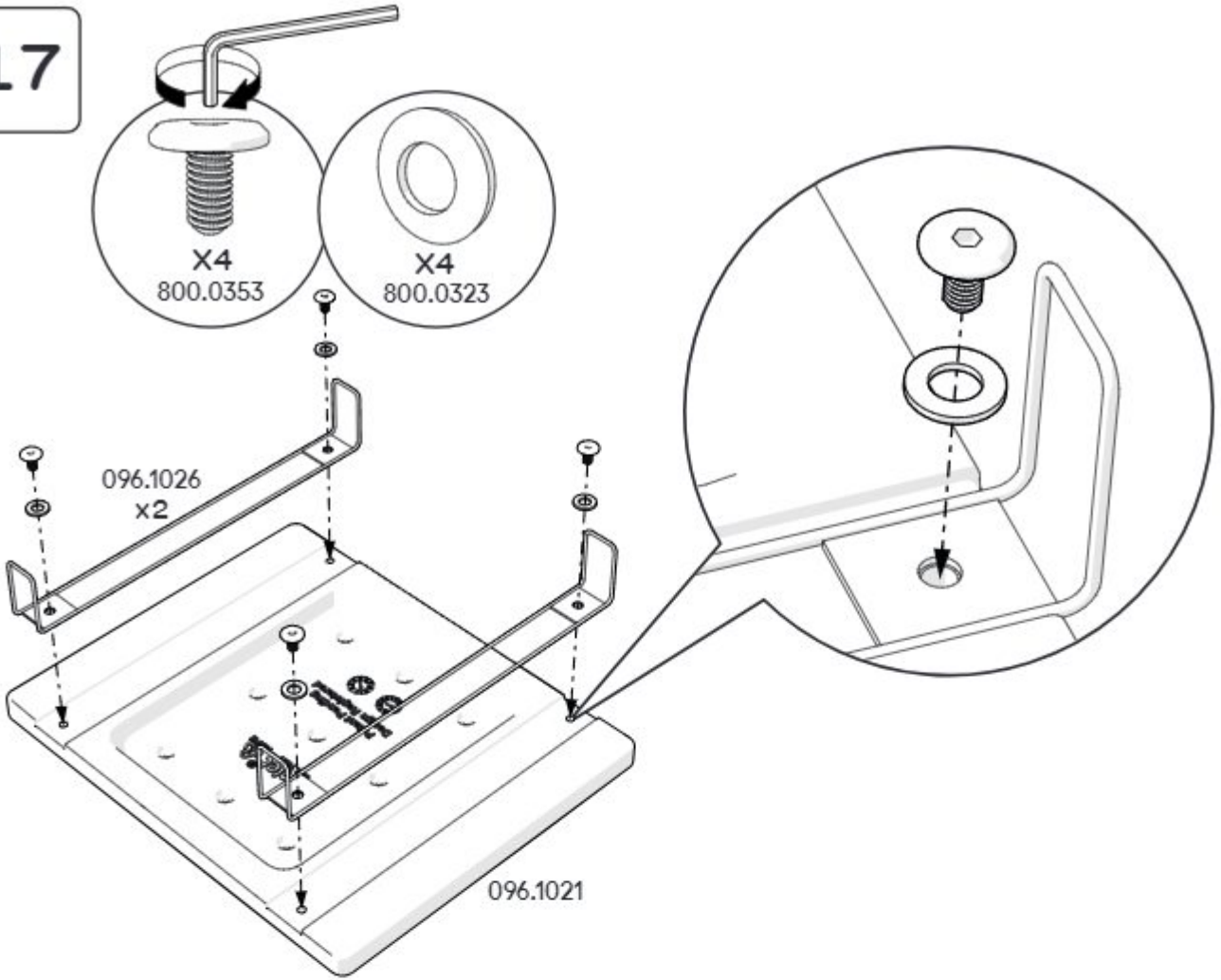
810.0134



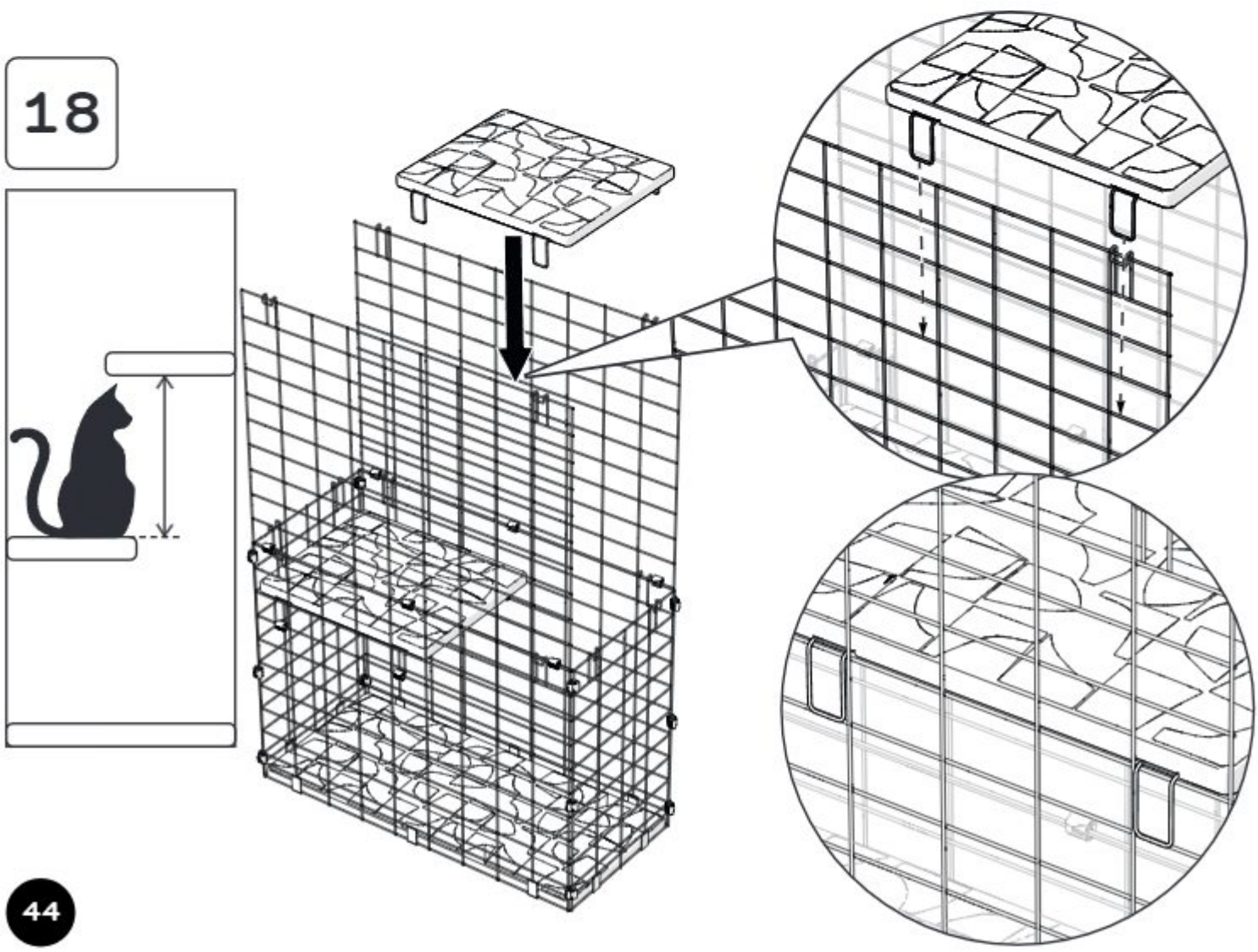
X6



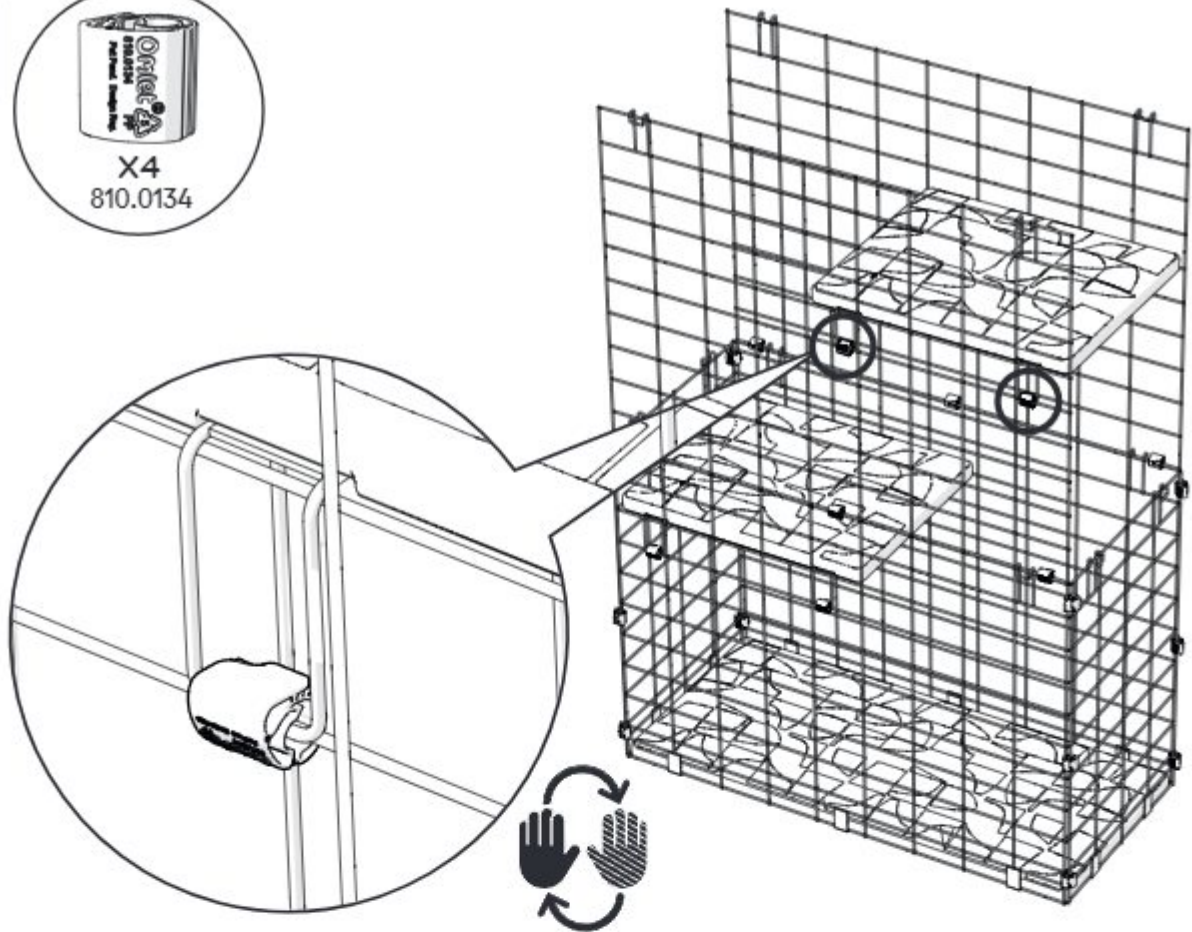
17



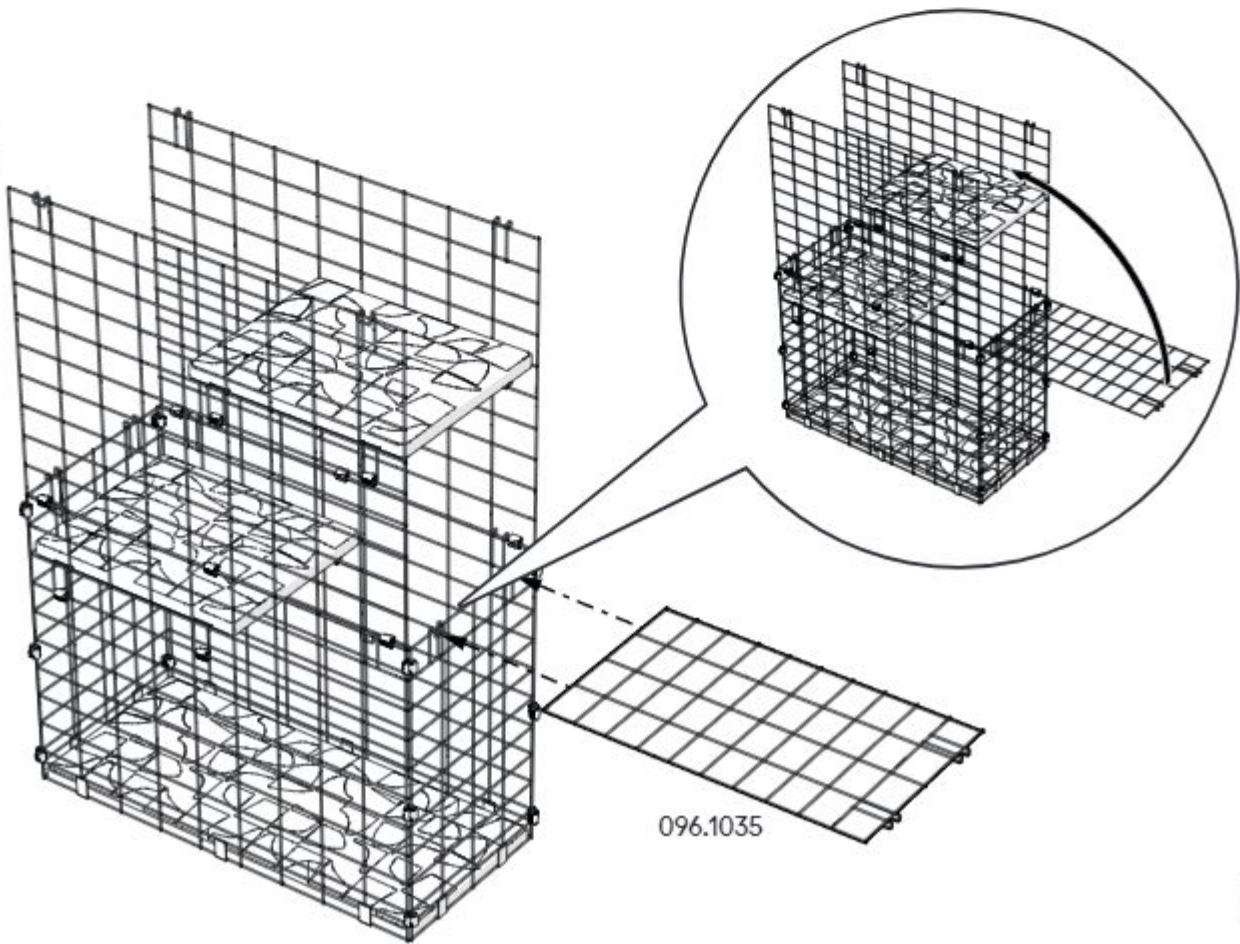
18



19



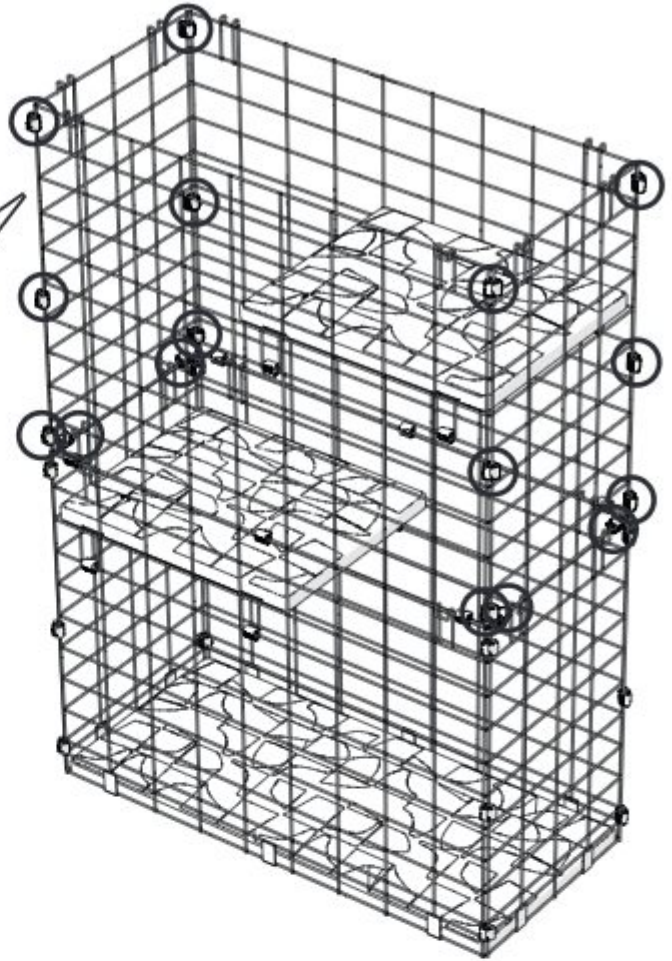
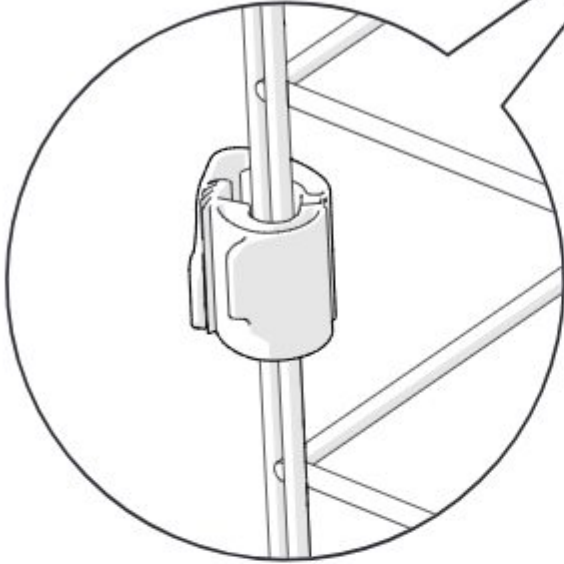
20



21

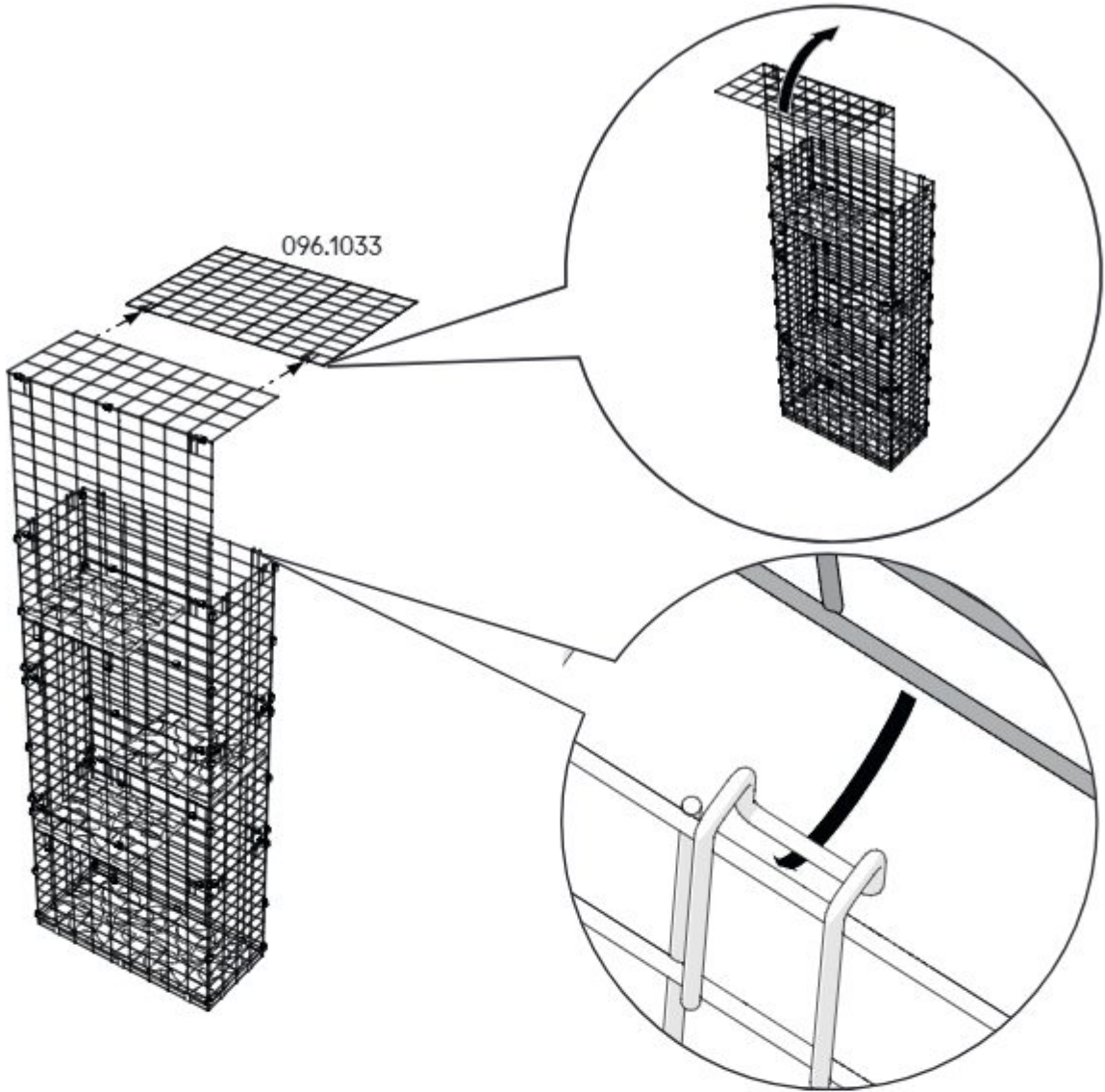


X16
810.0134

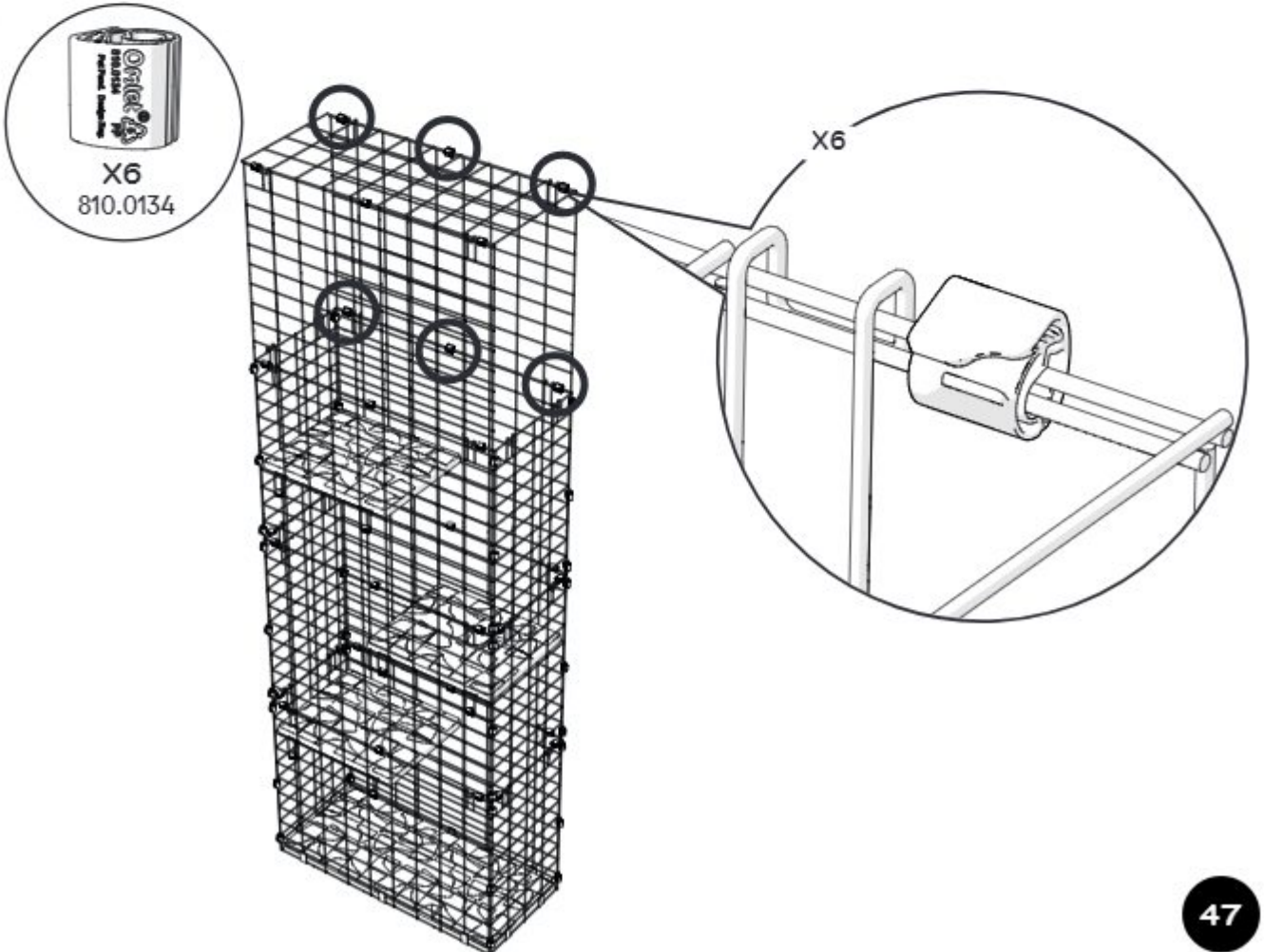


Repeat steps 15 to 21 for all extension levels - We recommend configuring your tower steps to suit the size and athleticism of your cat.

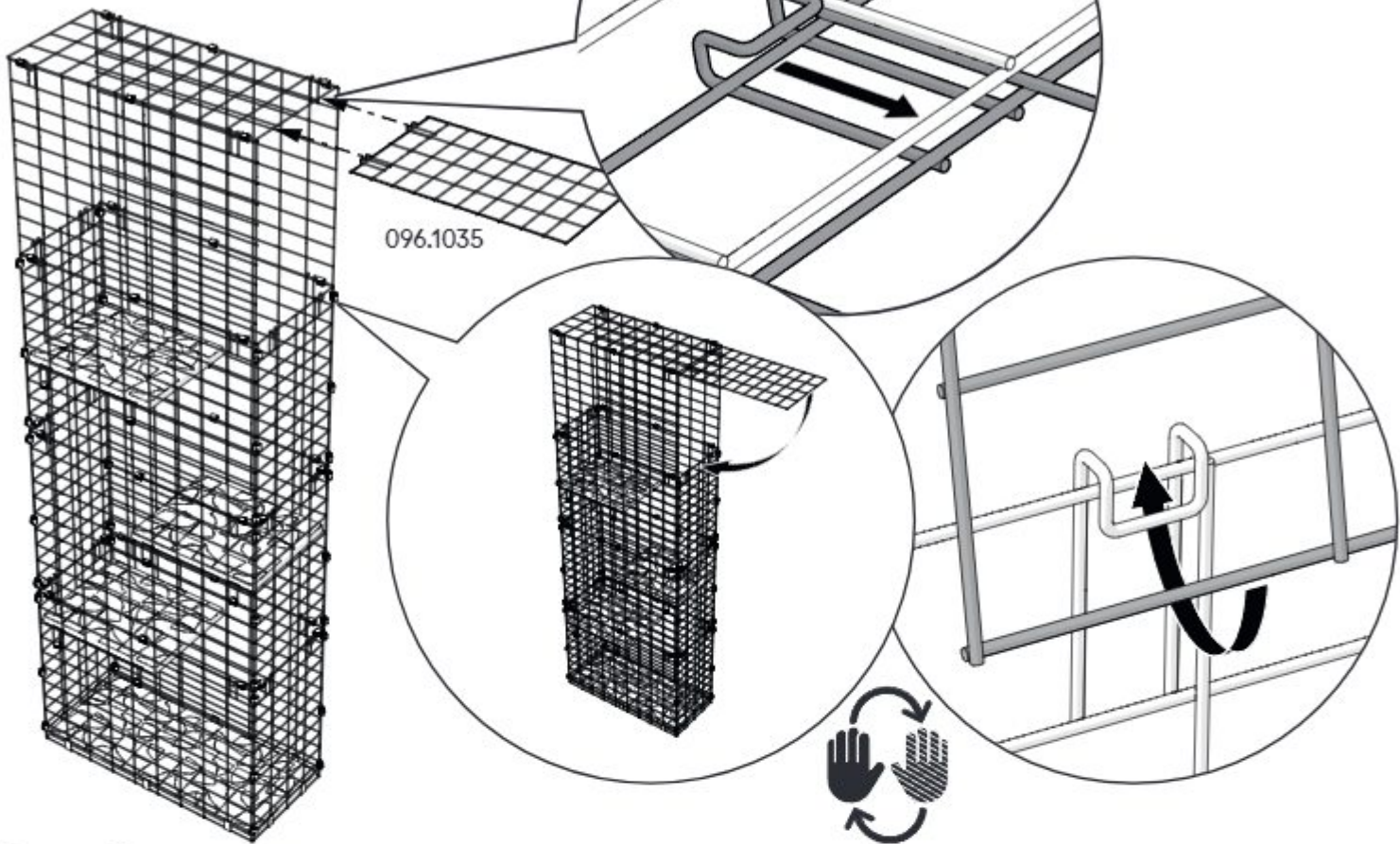
22



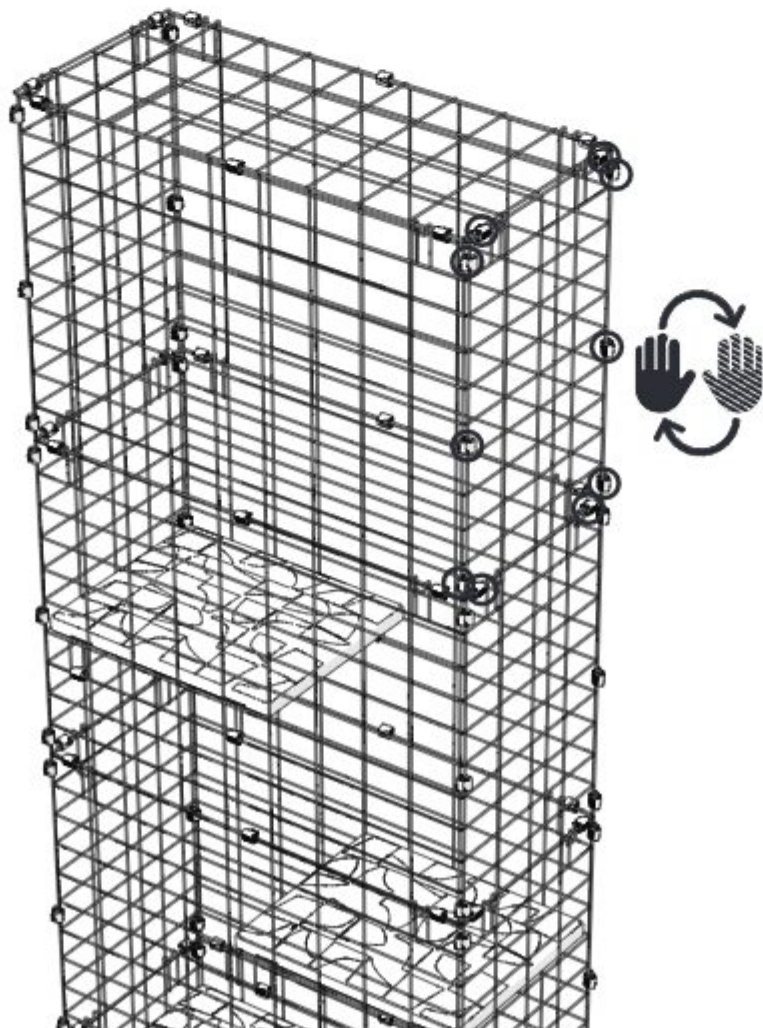
23



24

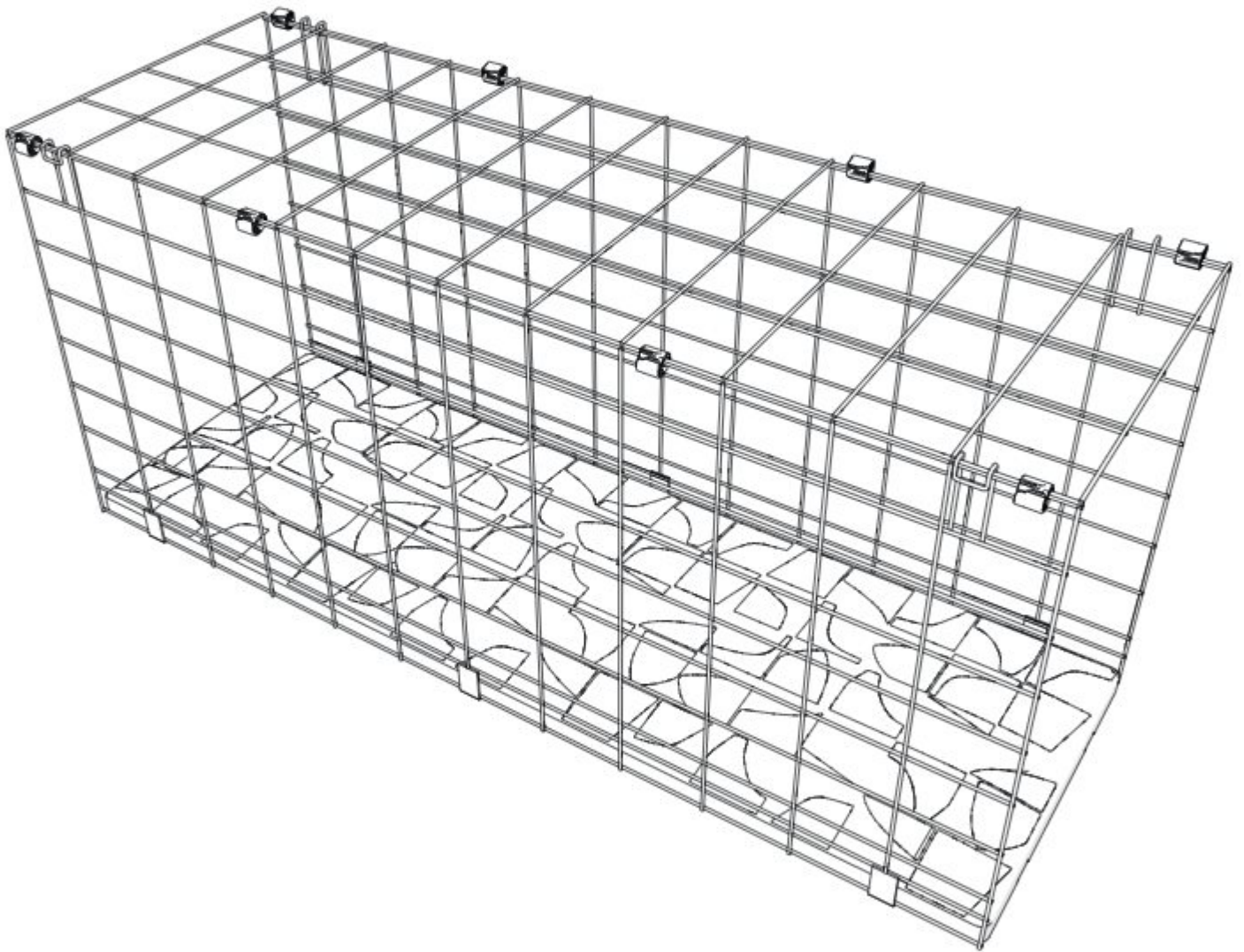


25



TUNNEL

Module Assembly



What you have received

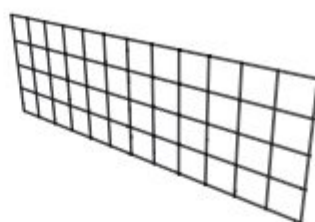
096.0020 Boxed Tunnel



X1
Tunnel Platform
096.1001



X2
Tunnel Side
096.1002

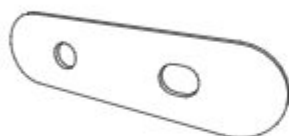


X1
Tunnel Top
096.1003



X2
Tension Wire
096.1106

096.0100 Fixings Pack Tunnel



X2
Platform
Connection Bracket
096.1101



X2
Mesh Spacer Clip
096.1105



X10
Nylon Washer M6
800.0323



X10
M6x12mm Bolt
800.0353



X6
Cable Tie
3mmx200mm
800.0427



X14
Mighty Clip C
810.0134

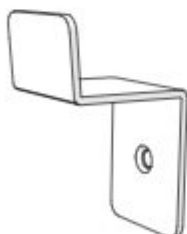


X1
4mm Allen Key
810.1122

096.0112 Wall Mounting Fixings Pack Tunnel



X5
Wall Mounting Clip
096.1045



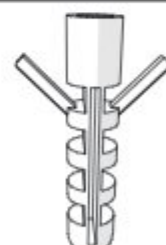
X2
Wall Mounted Bracket
096.1102



X2
Wall Mounting Mesh Hook
096.1104

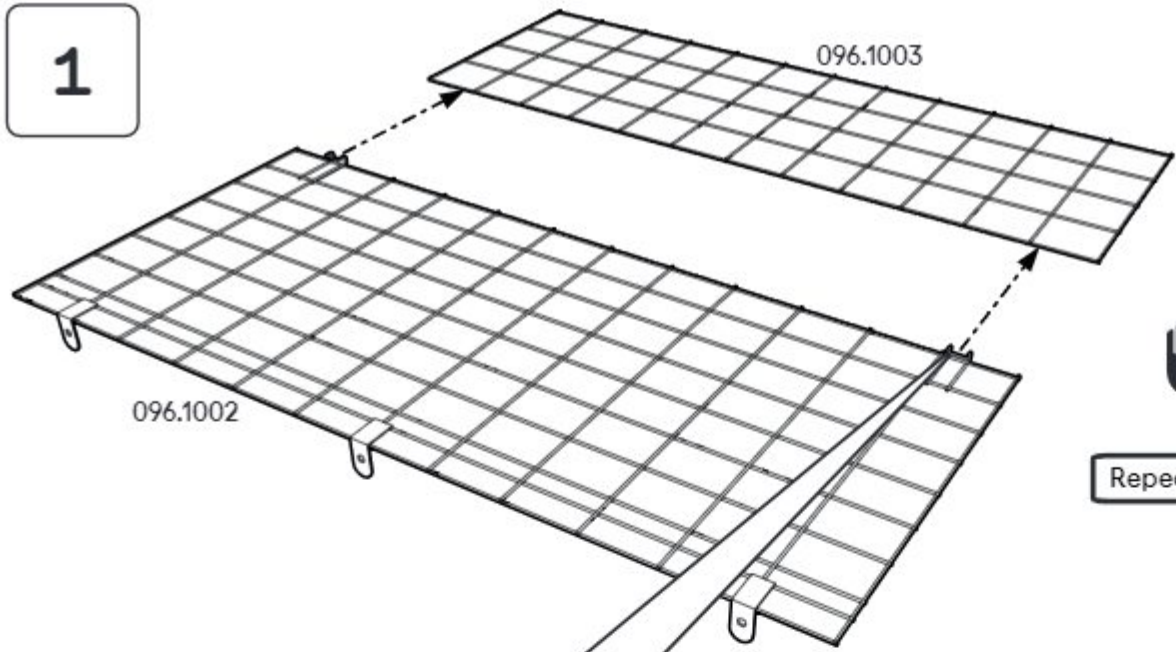


X7
Woodscrew
4 x 30mm
800.0366

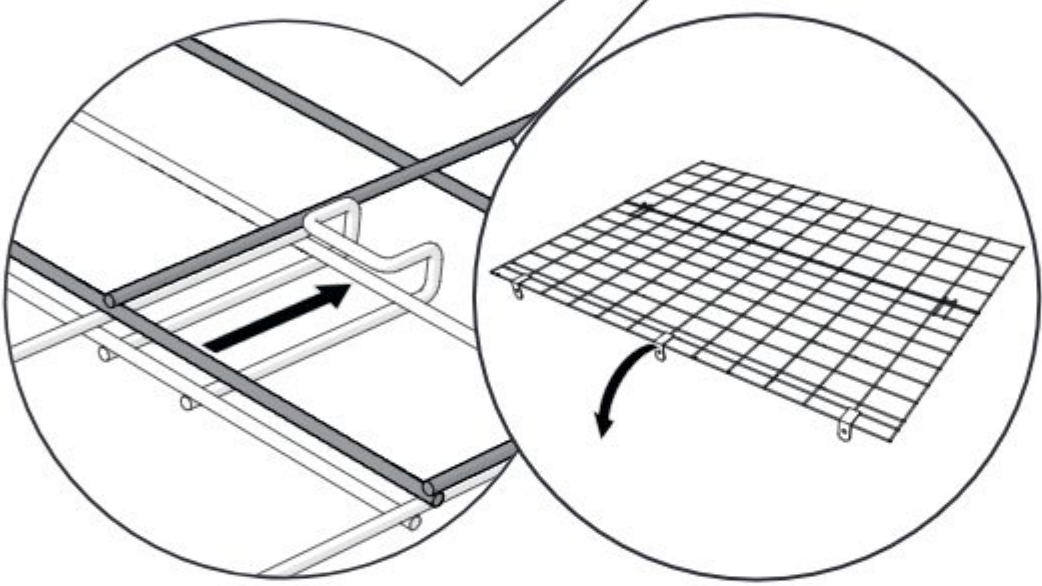


X7
Wall Plug
800.0392

1



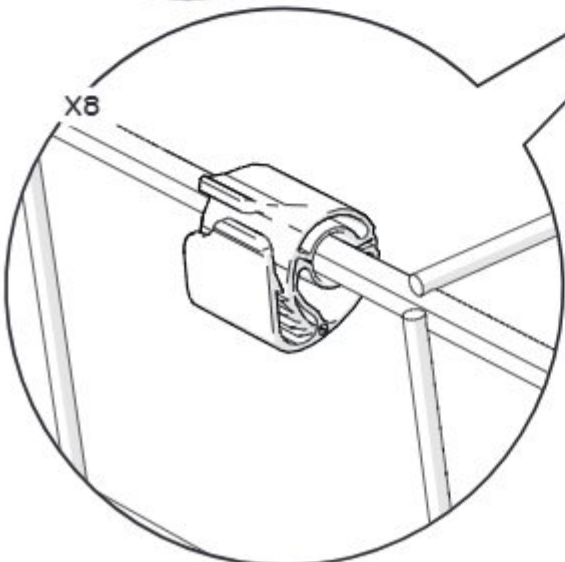
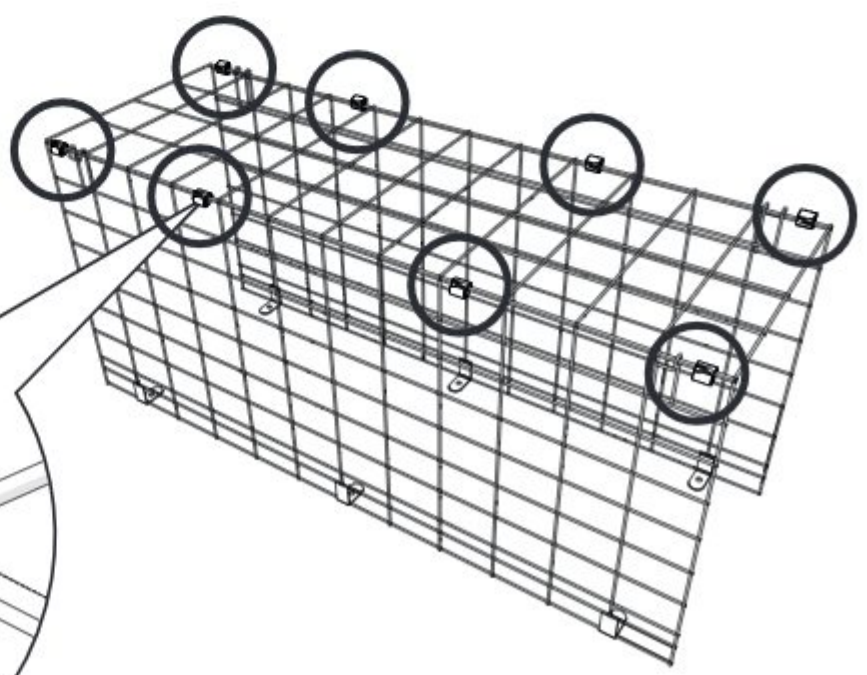
Repeat on other side



2

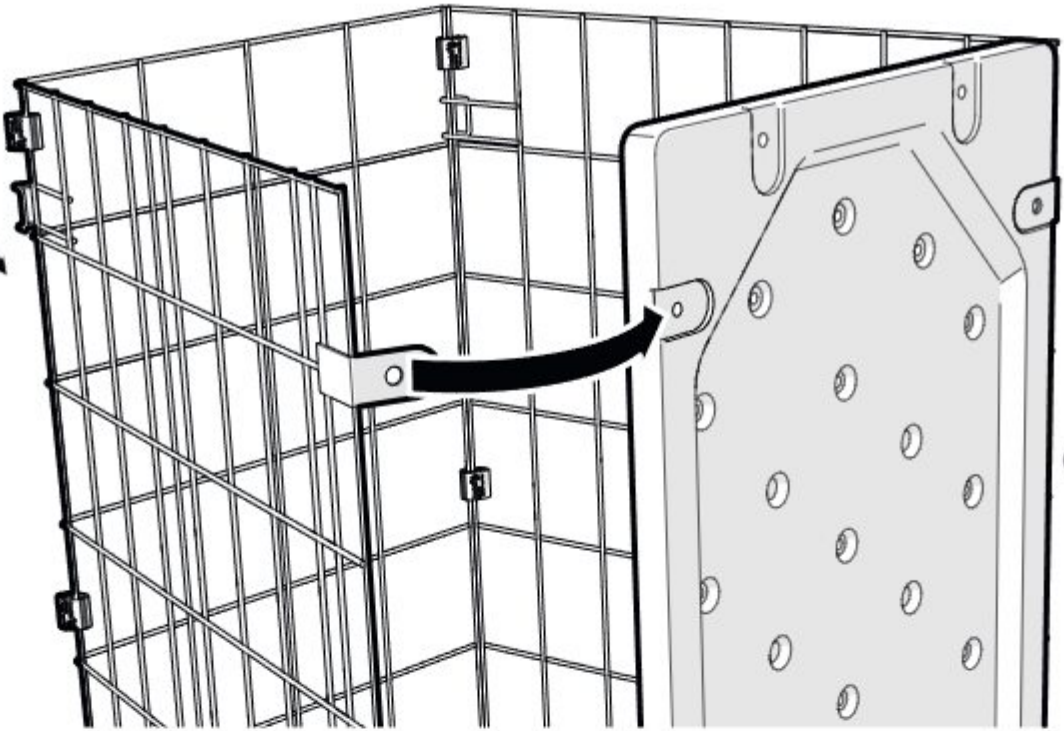


X8
810.0134



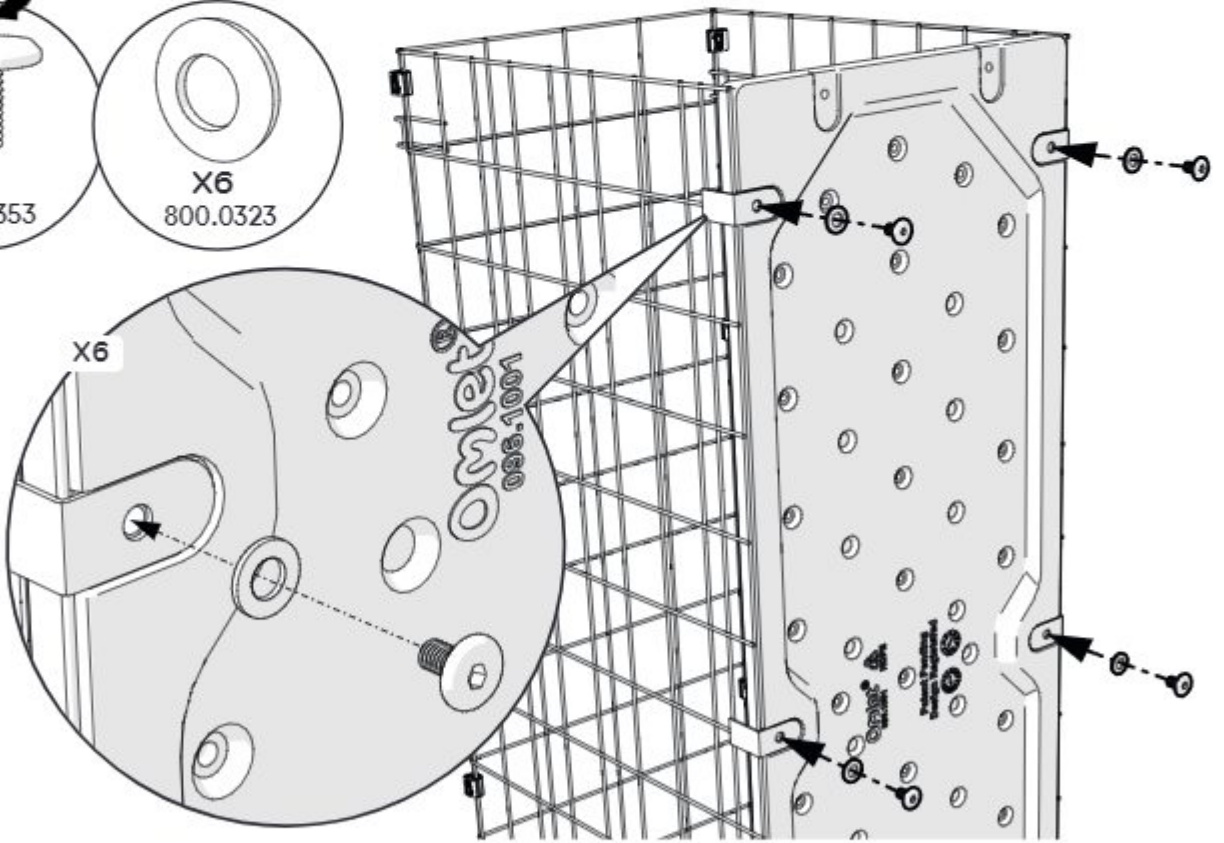
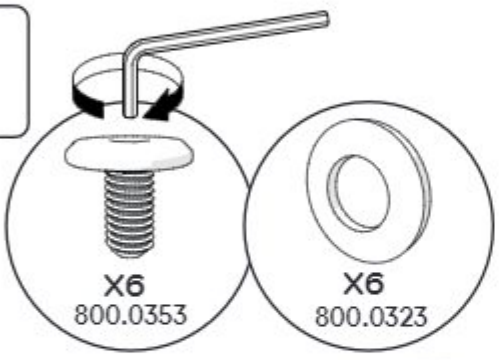
X8

3



096.1001

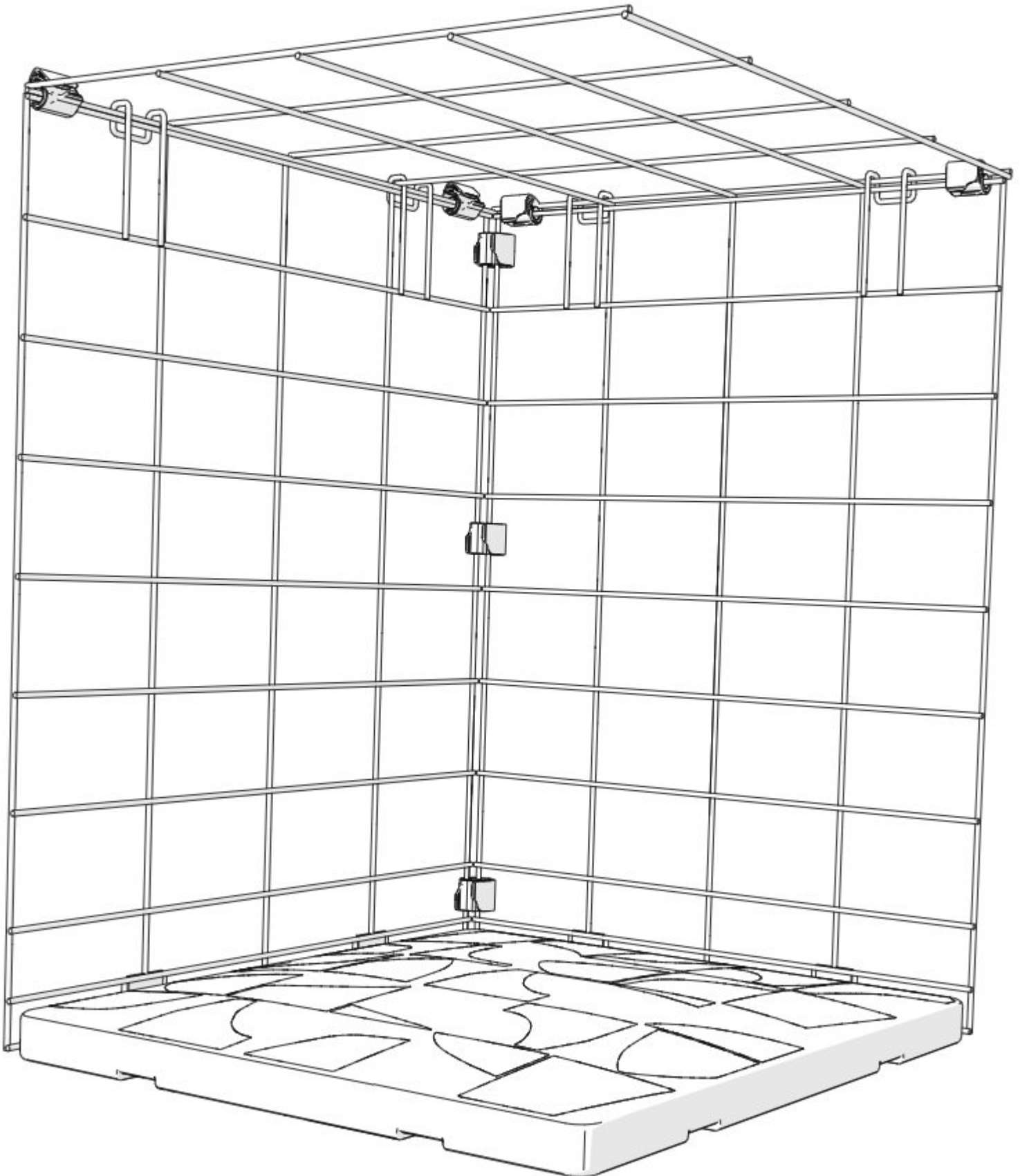
4



! Repeat steps 1-4 for all Tunnels you have purchased.

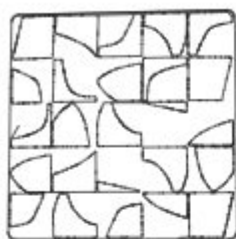
SQUARE

Module Assembly

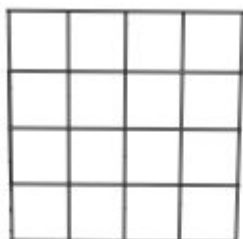


What you have received

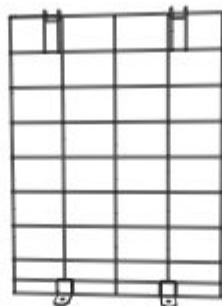
096.0022 Boxed Square Connection



X1
Square Platform
096.1011



X1
Square Top
096.1013



X2
Square Side Panel
096.1012

096.0101 : Fixings Pack Square Connection



X1
4mm Allen Key
810.1122



X8
Nylon Washer M6
800.0323



X8
M6x12mm Bolt
800.0353



X2
Platform Connection
Bracket
096.1101



X10
Mighty Clip C
810.0134



X6
Cable Tie
3 x 200mm
800.0427

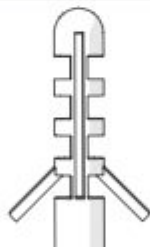
096.0113 : Fixings Pack Wall Mounting Square Connection



X6
Wall Mounting Clip
096.1045



X8
Woodscrew
4 x 30mm
800.0366



X8
Wall Plug
800.0392



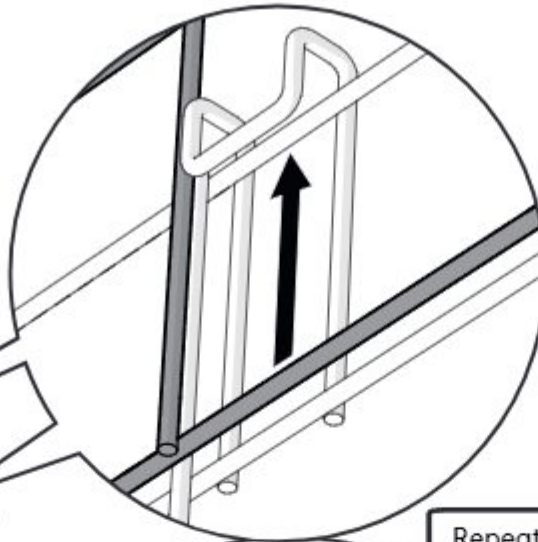
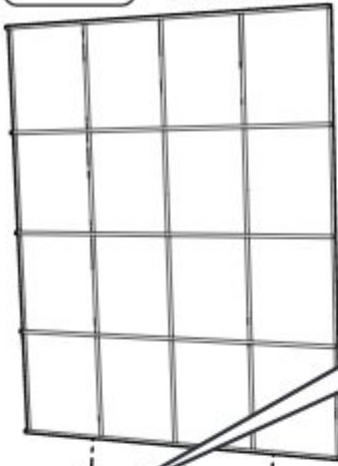
X1
Wall Mounting Mesh Hook
096.1104



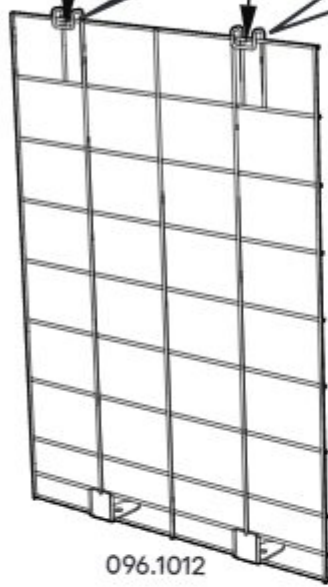
X1
Wall Mounted Bracket
096.1102

1

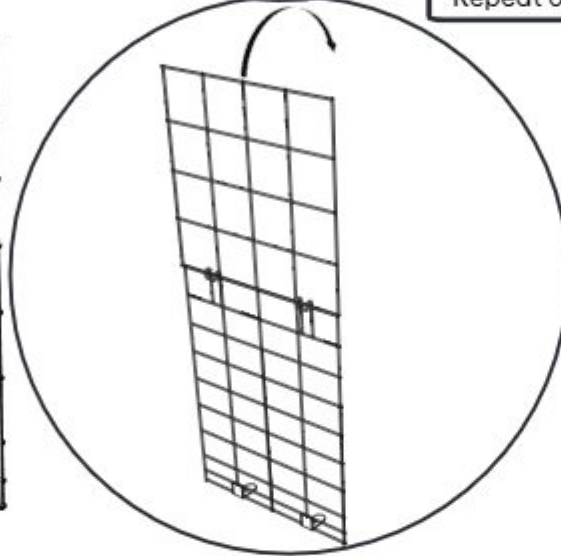
096.1013



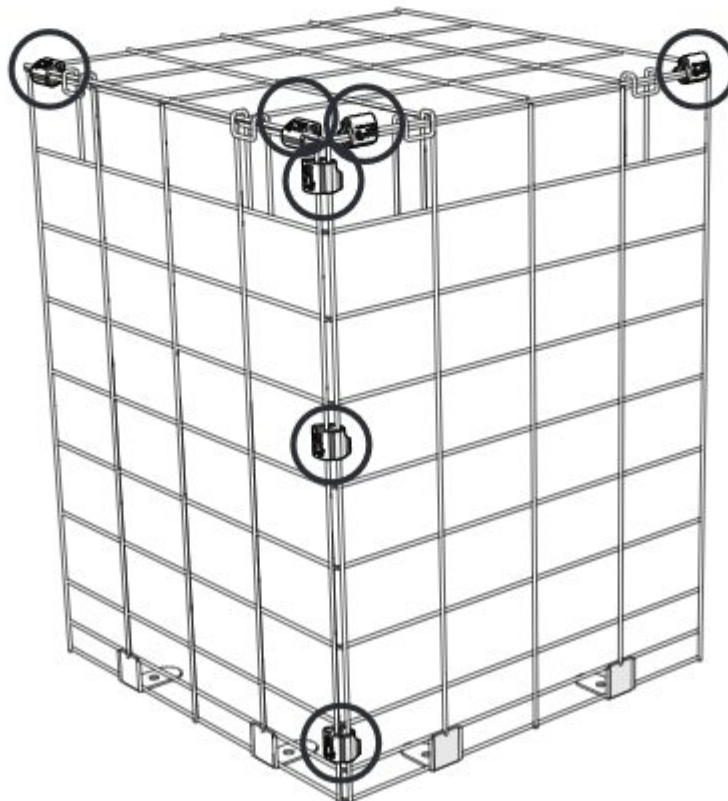
Repeat on adjoining side



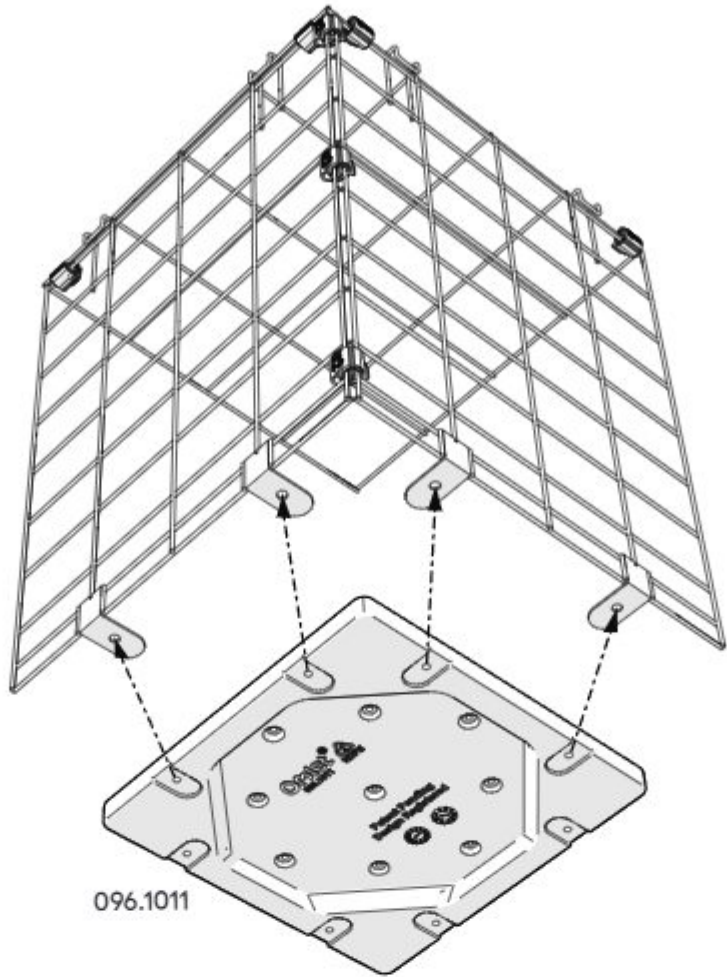
096.1012



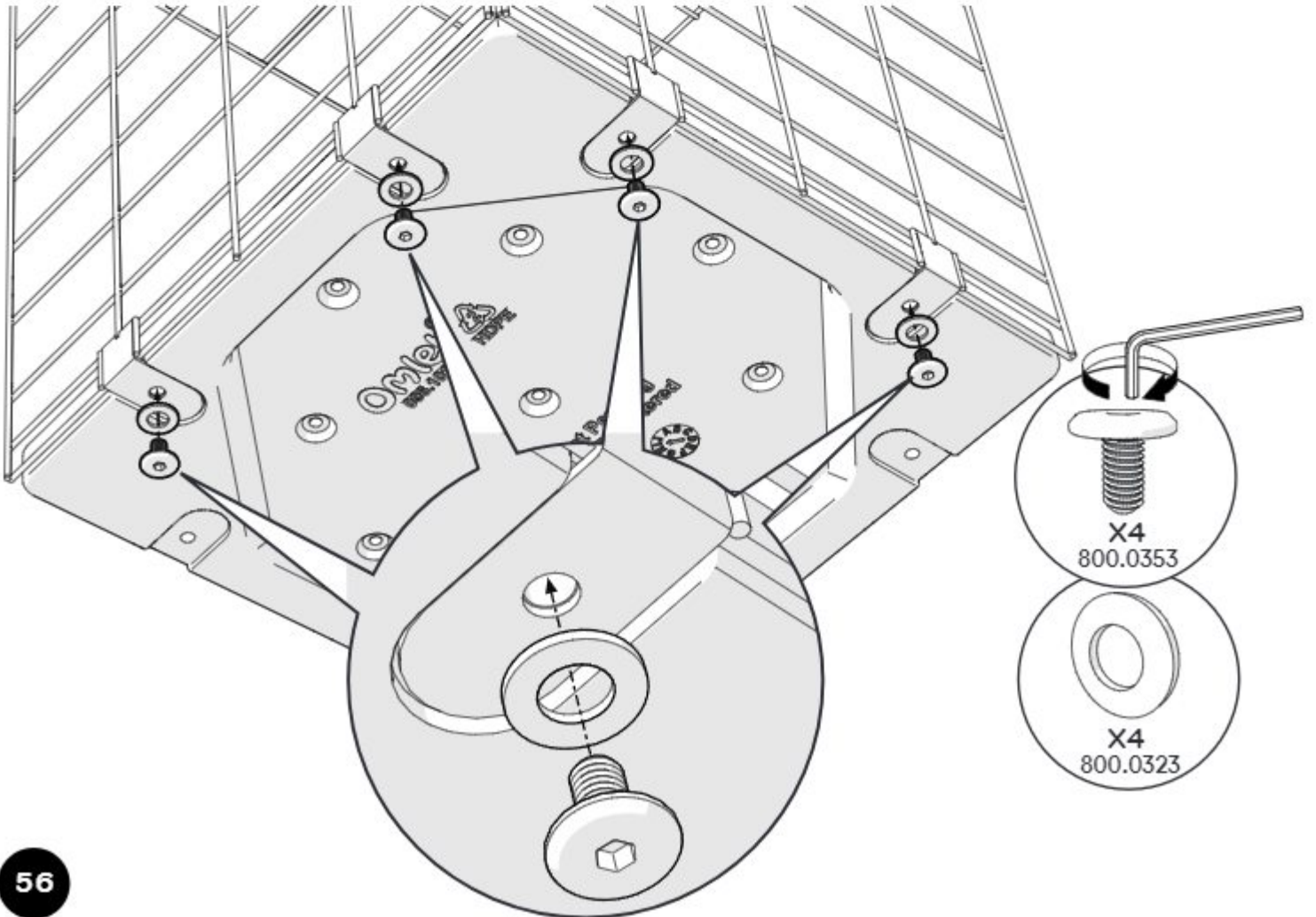
2



3

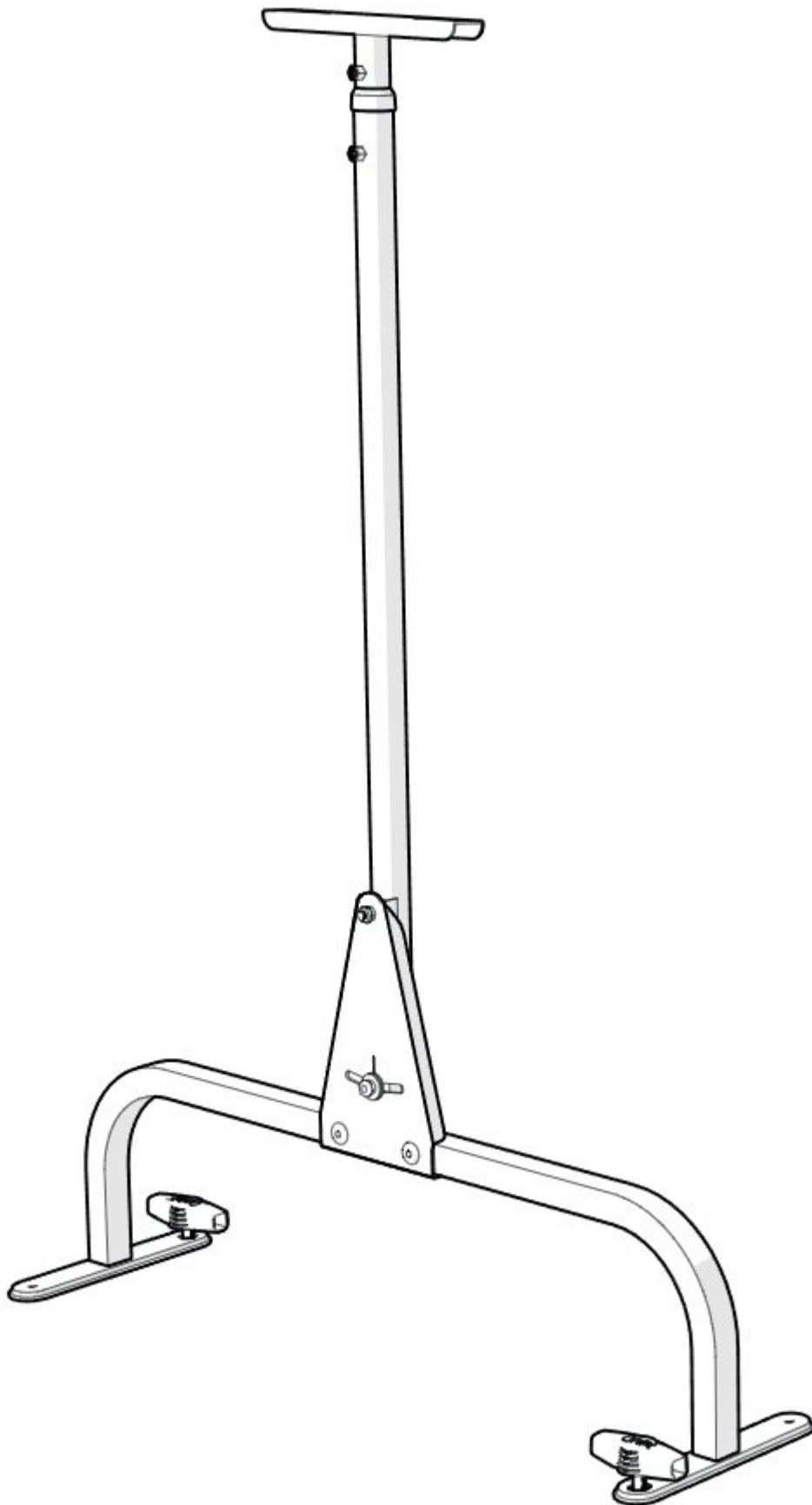


4



STAND

Module Assembly



You will need...



What you have received

DE Das haben Sie erhalten · FR Ce que vous avez reçu · NL Wat u heeft ontvangen · IT Cosa hai ricevuto
 ES Qué ha recibido · SE Vad du har fått · DK Du har modtaget · NO Hva du har mottatt · PL Co otrzymałeś/eś

096.0032 Boxed Tunnel Stand



X2
Peg
009.1000



X1
Stand Top Plate
096.0016



X1
Stand Outer Pole
096.0017



X2
Stand Floor Plate
096.1051



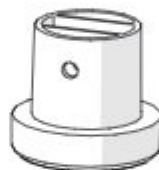
X1
Stand Base
096.1052



X1
Stand Pivot Plate
096.1053



X1
Stand Inner Pole
096.1054



X1
Stand Bottom Spacer
096.1059



X1
Stand Top Spacer
096.1060

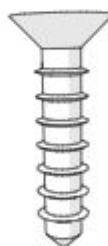
096.0108 Fixings Pack Tunnel Stand



X4
M6 Locknut
800.0235



X2
M6 x 20mm Bolt
800.0280



X1
Pozi Self Tapping
Countersunk Screw
800.0296



X2
M6 x 30mm Bolt
800.0355



X2
Nylon Washer
M6 x 18 x 1.6mm
800.0449



X2
Steel Washer
ID 6.5 x OD 18 x 1.6mm
800.0451

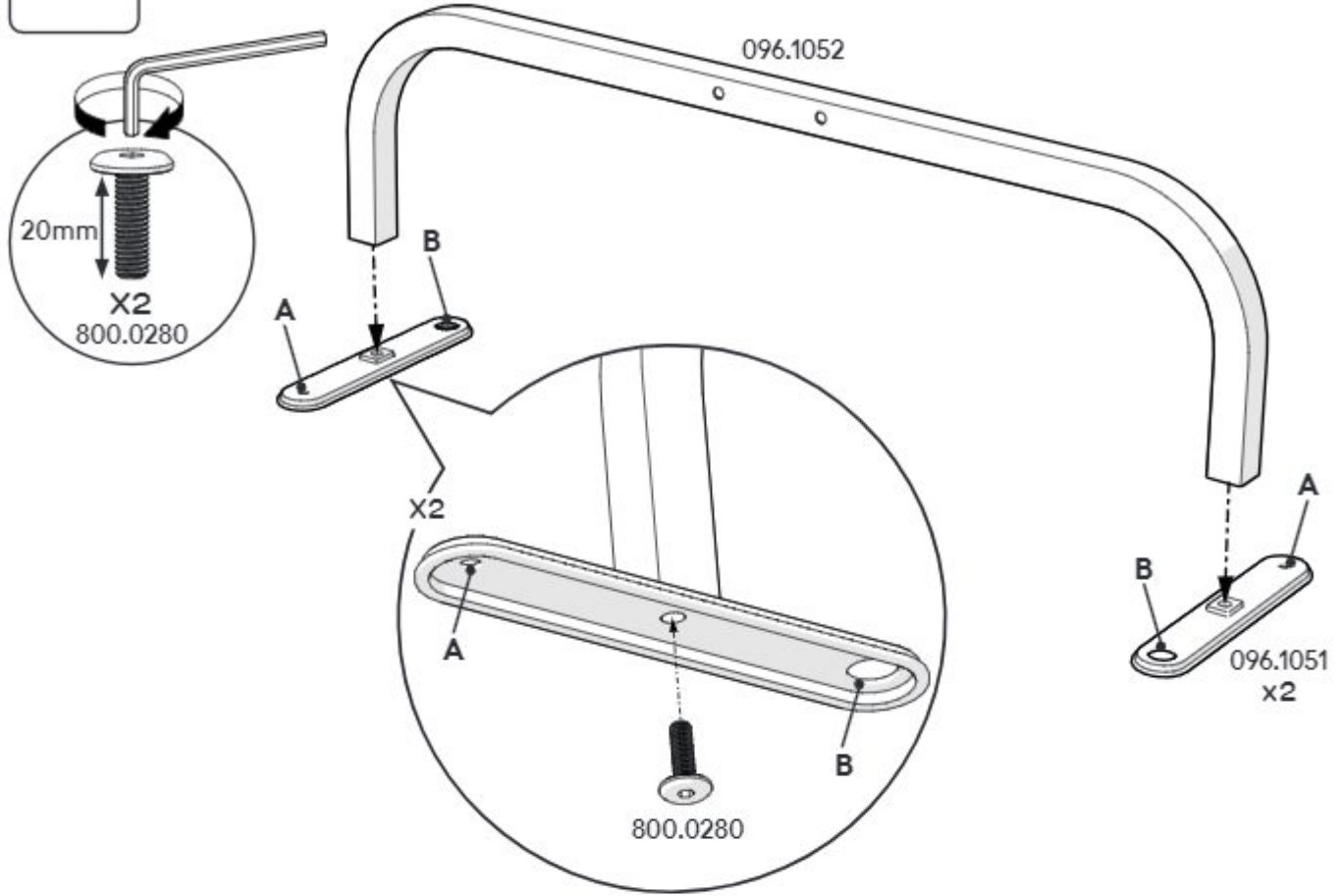


X1
3mm Allen Key
810.0288

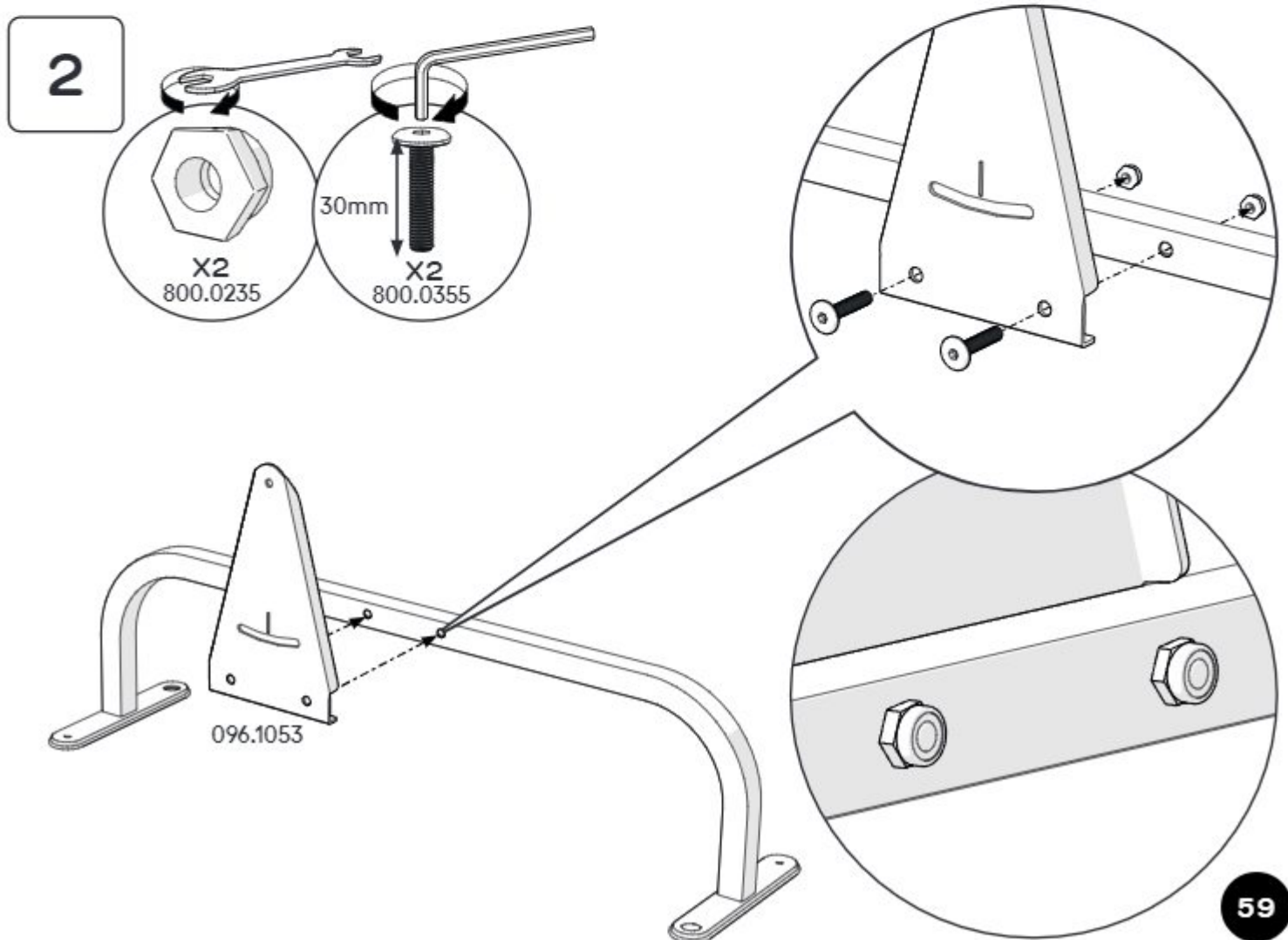


X1
Double Ended
Spanner 10mm 14mm
810.1123

1



2



3



X2
800.0235

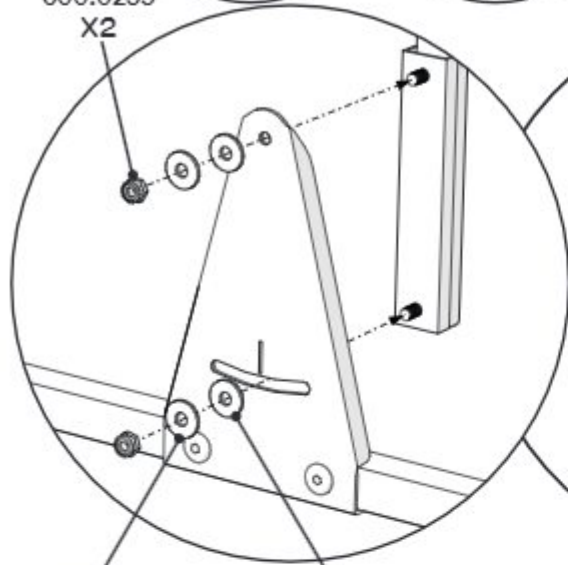


X2
800.0449
Nylon



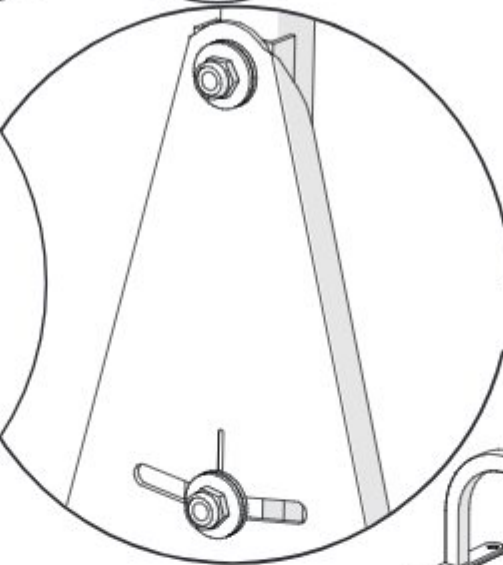
X2
800.0451
Steel

800.0235
X2

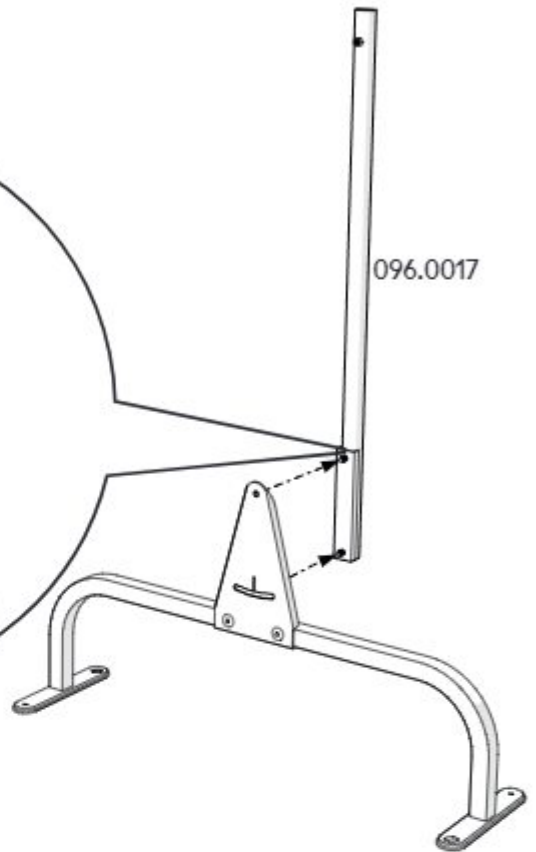


800.0451
Steel

800.0449
Nylon



096.0017



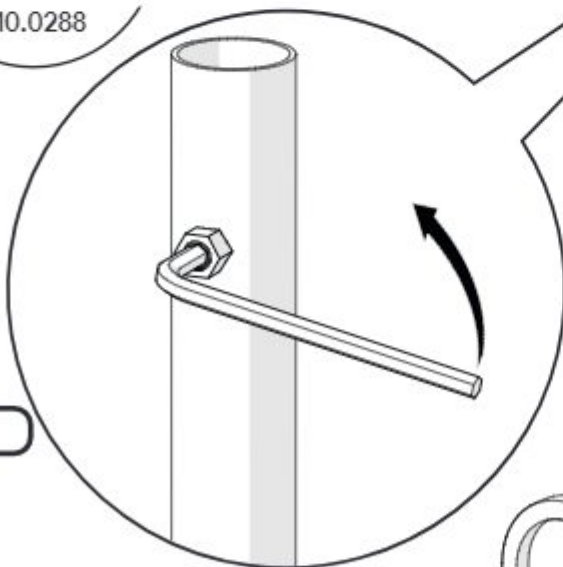
4



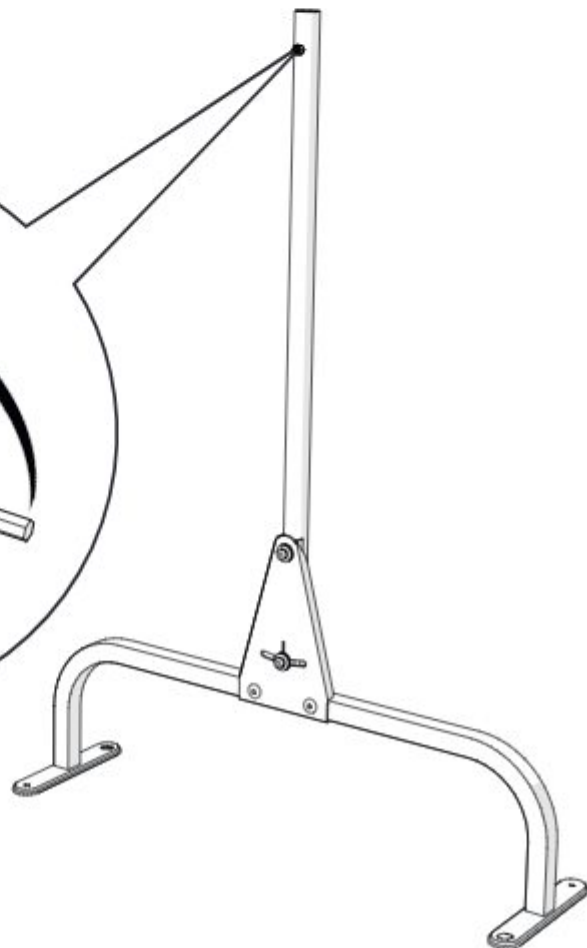
810.0288



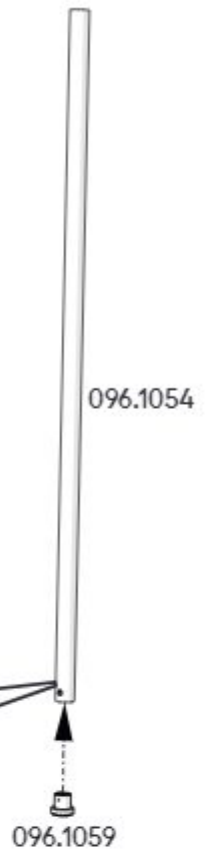
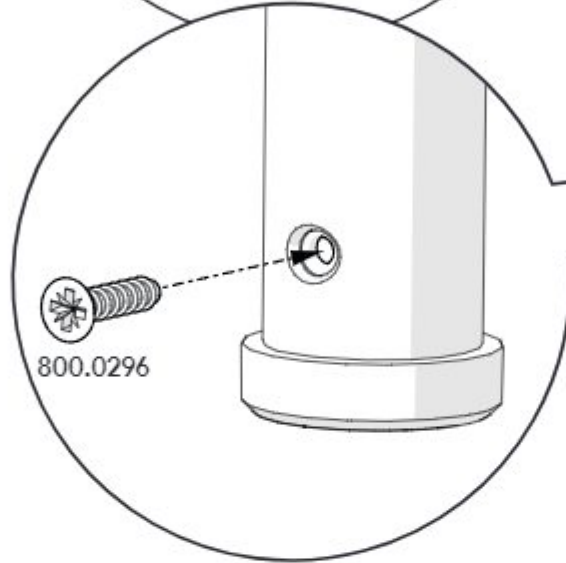
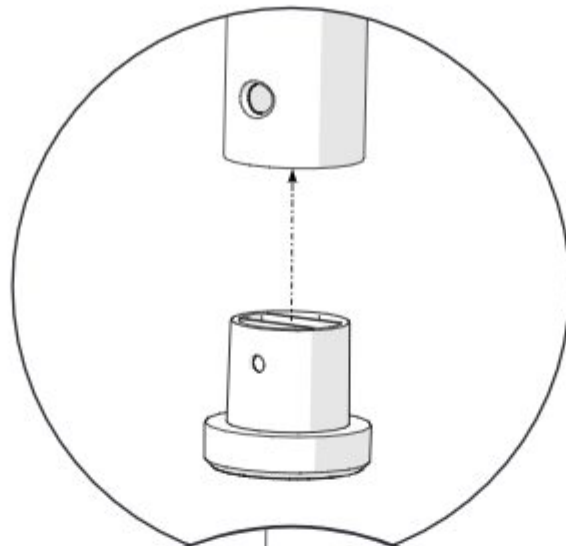
3mm



Partially loosen



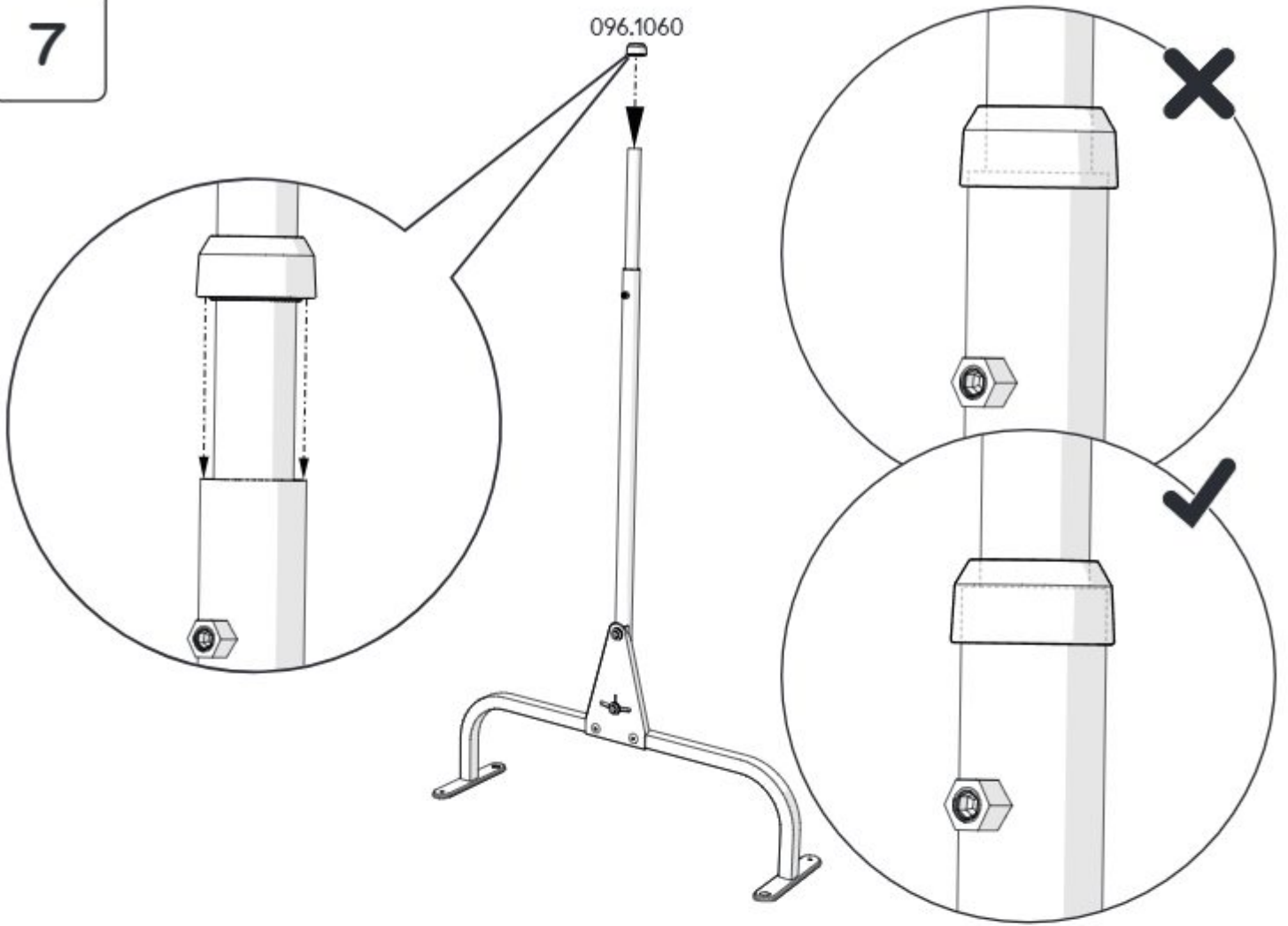
5



6

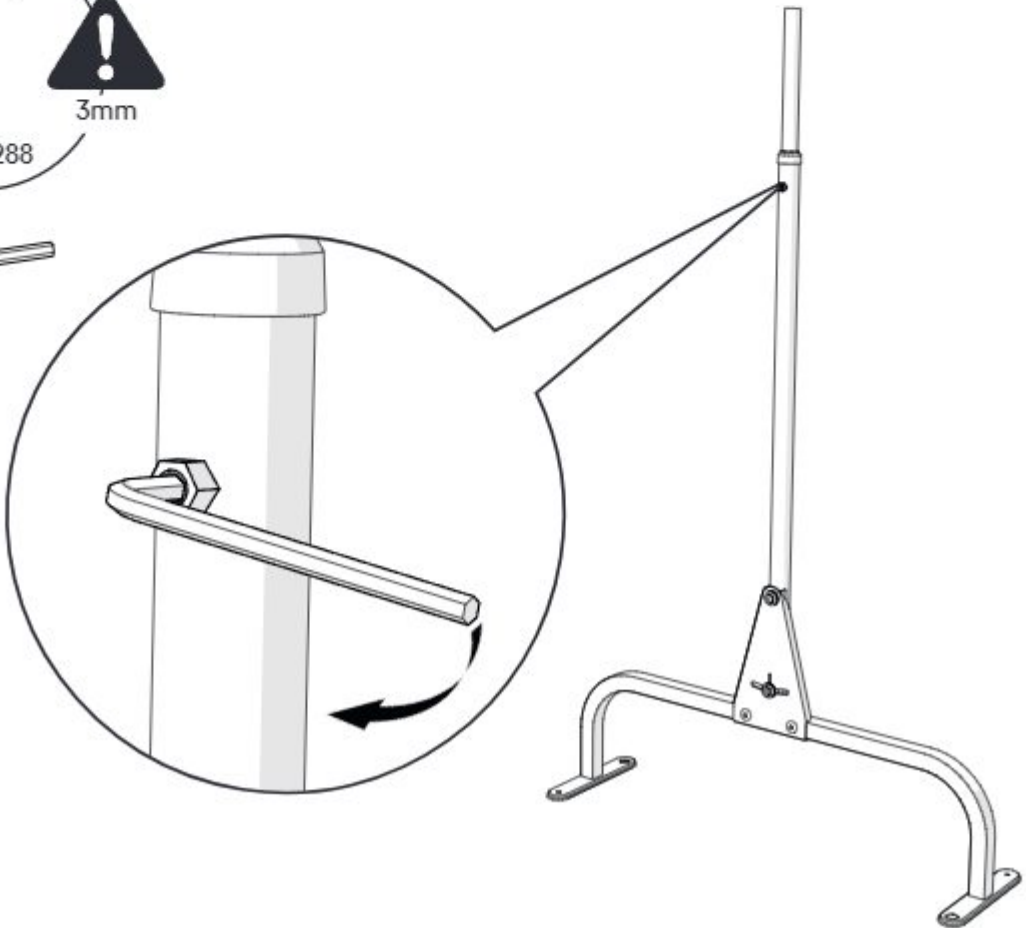
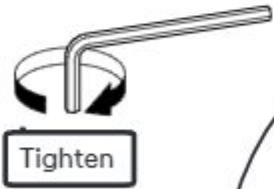


7

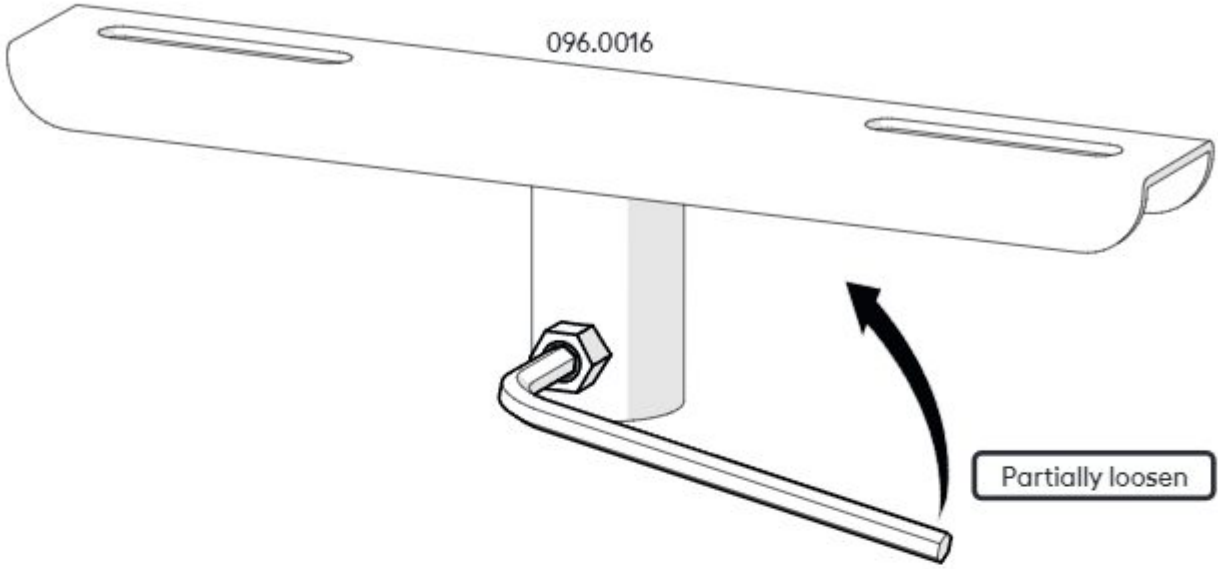


096.1060

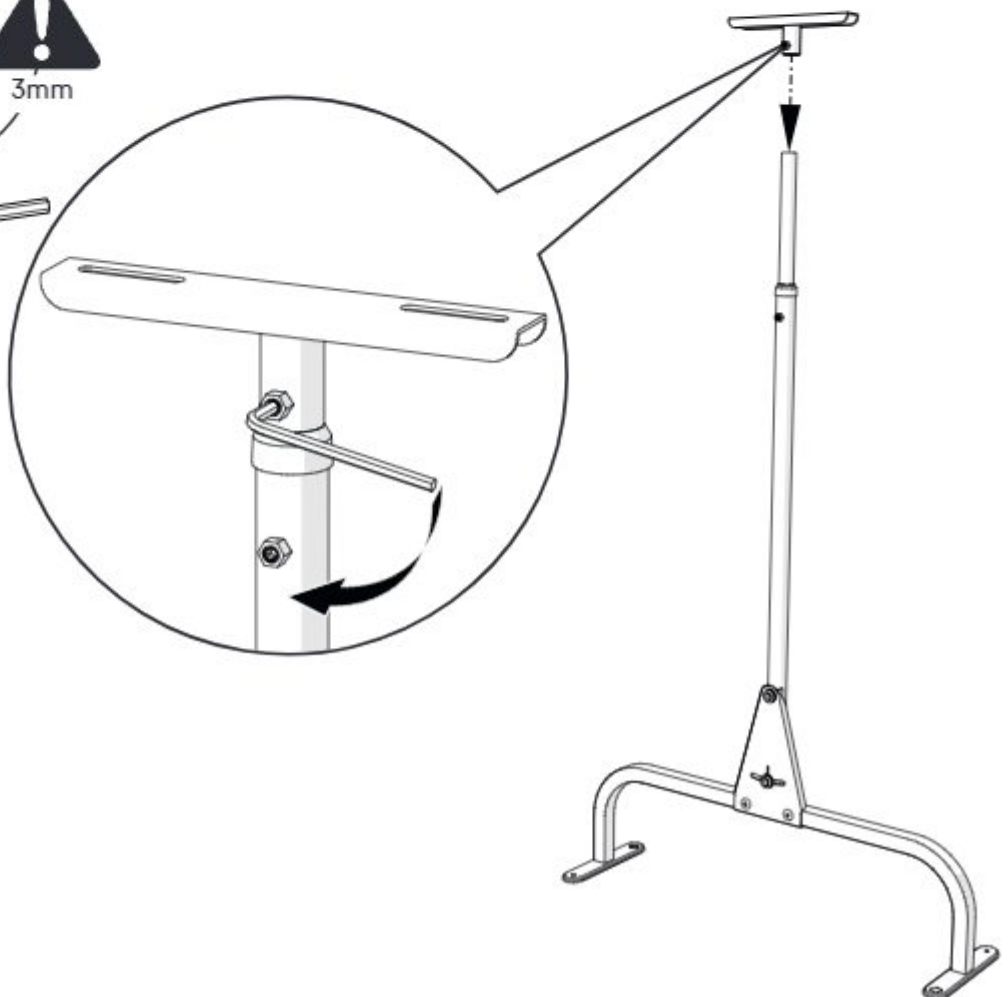
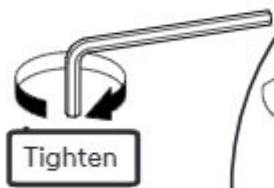
8



9



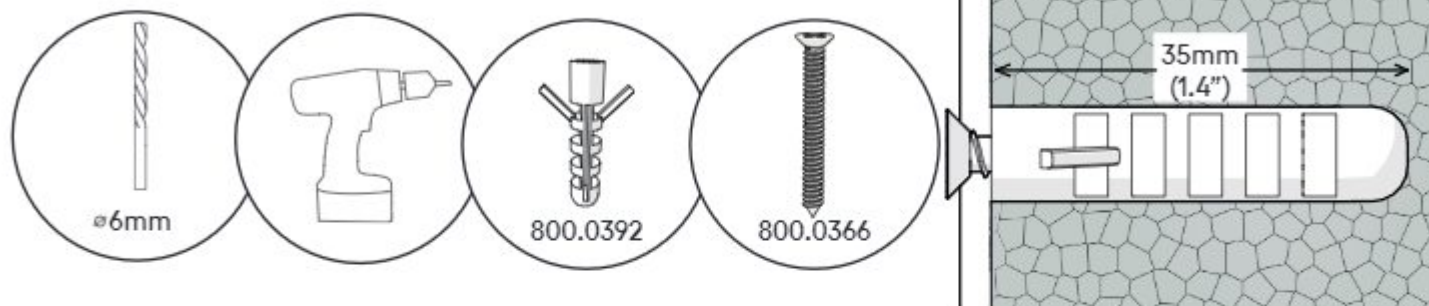
10



WALL FIXINGS OPTIONS

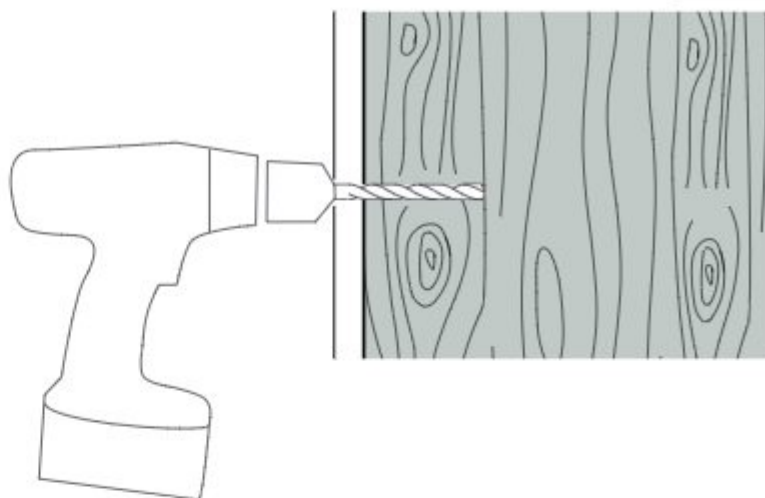
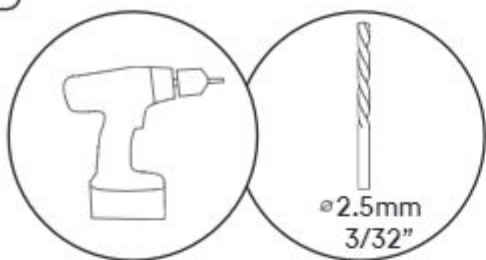
! Optional - The hardware used to attach your Tunnel to the wall depends on the materials. If your material is not listed or you have any questions, consult with an expert.

Solid Masonry

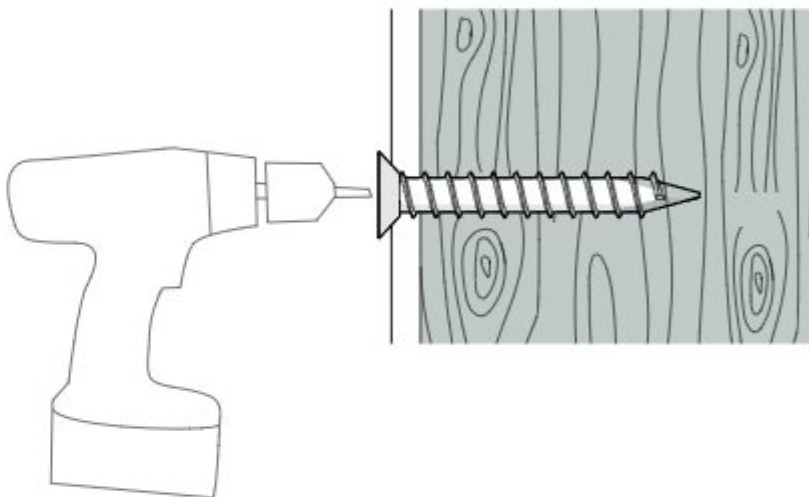
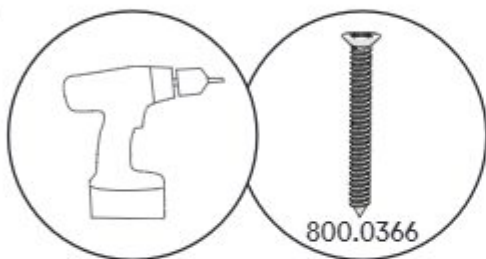


1

Please drill a pilot hole before screwing into the wood.



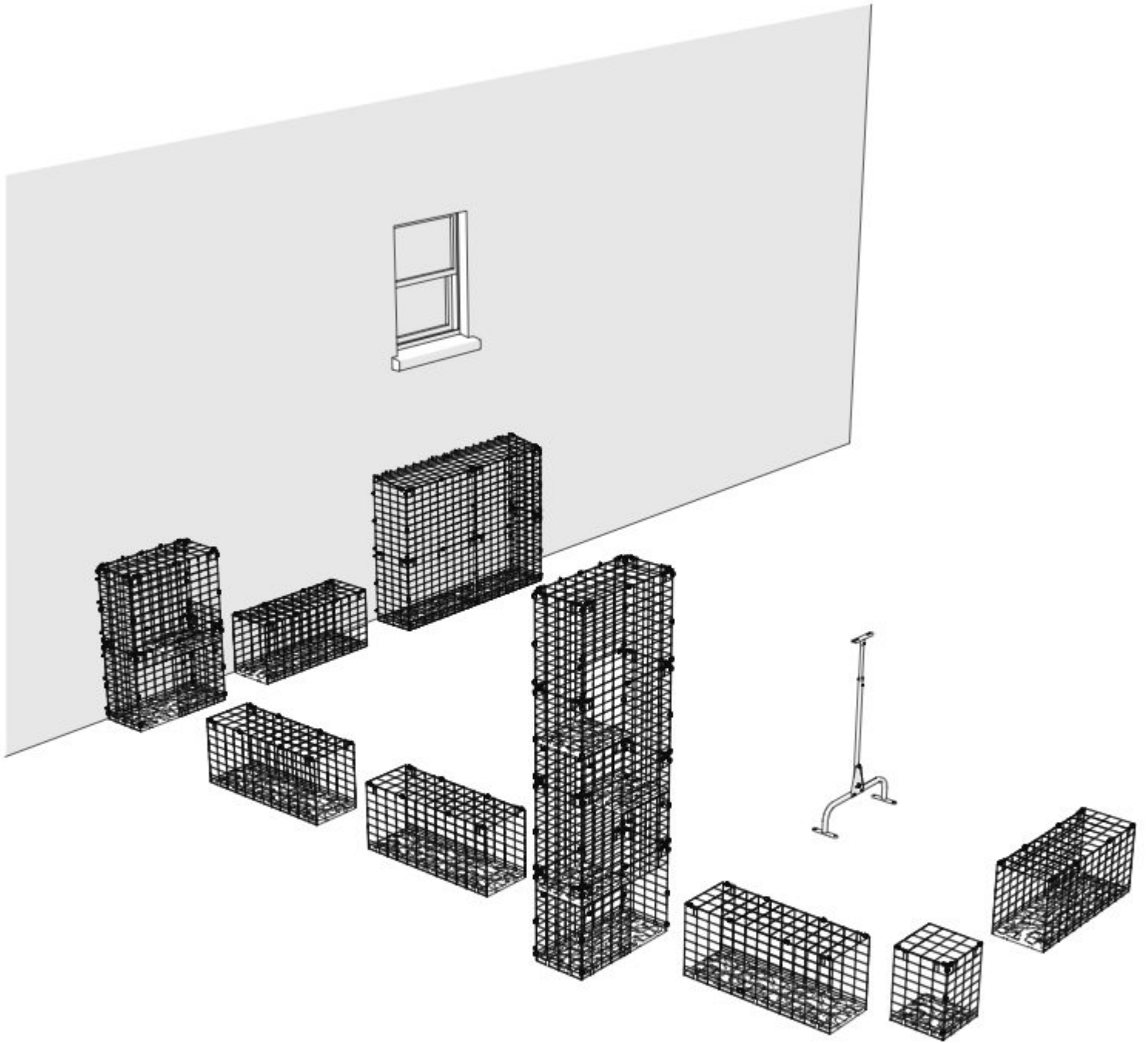
2



SYSTEM ASSEMBLY

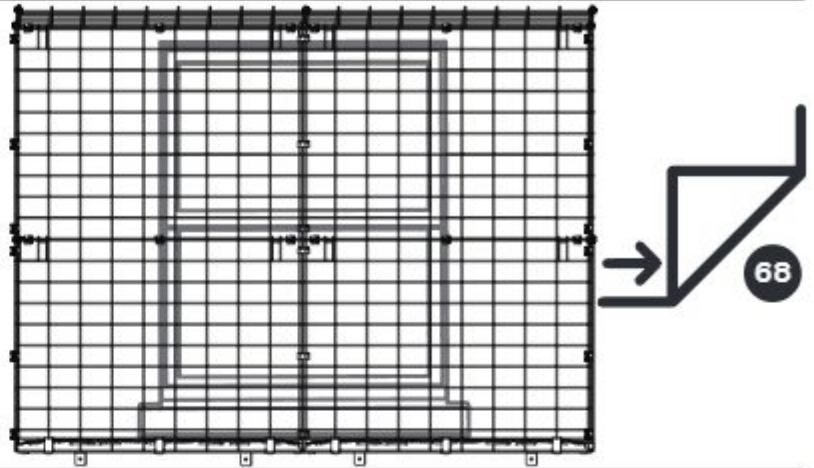
You should now have all of your Modules assembled individually. It's now time to put them together.

Plan your system by laying out your modules before connecting them together. You will set up the Entry point for your cat first, then assemble the Walkway, and finally attach it to the Destination.



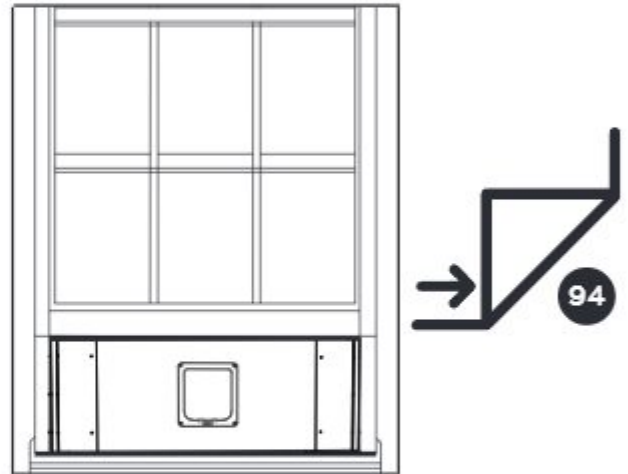
ENTRY POINT

Option 1 - Window ready for Omlet Window Box.



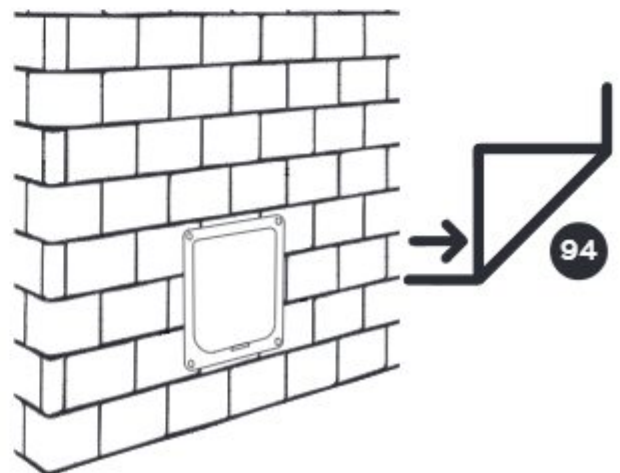
Option 2 - Omlet Window Board in sash window.

Compatible with straight Tunnel connection and Window Box.



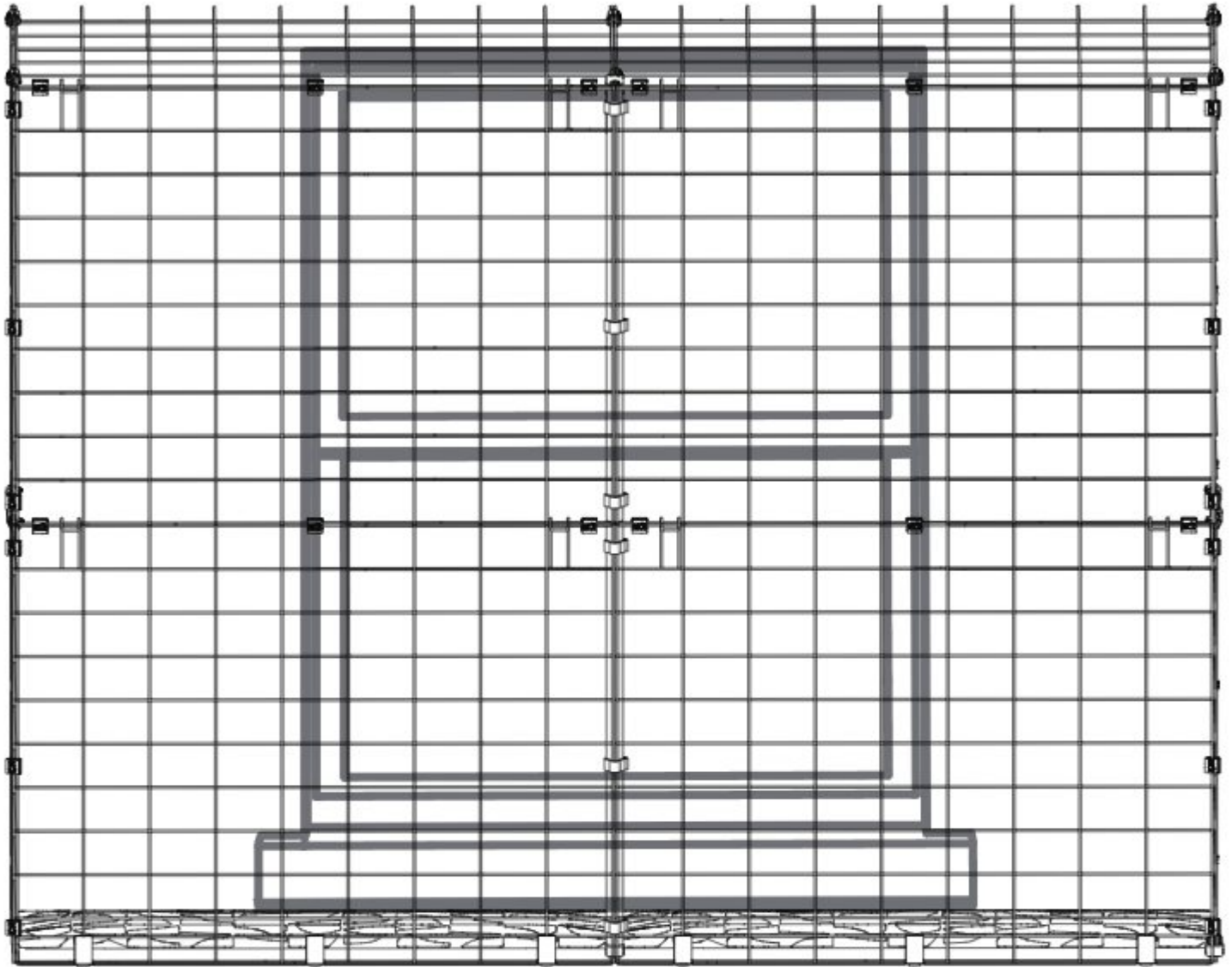
Option 3 - Your own cat door.

Compatible with straight Tunnel connection and Window Box.



WINDOW BOX

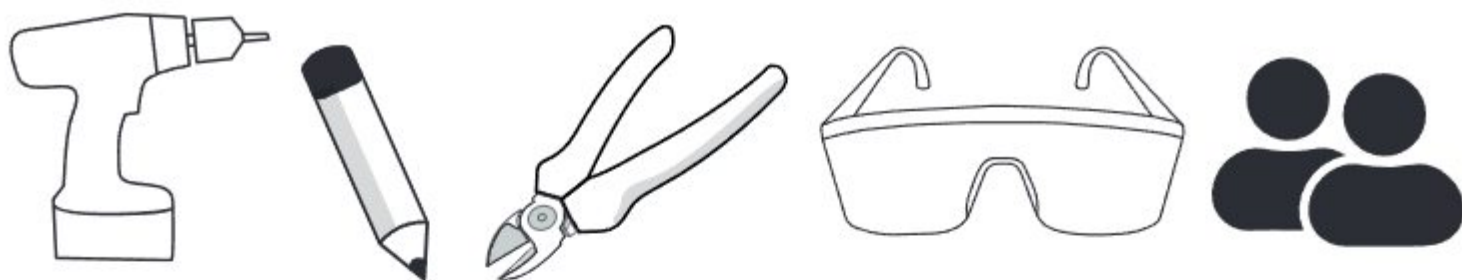
Wall Mounting



If you have chosen a window box follow the next steps.

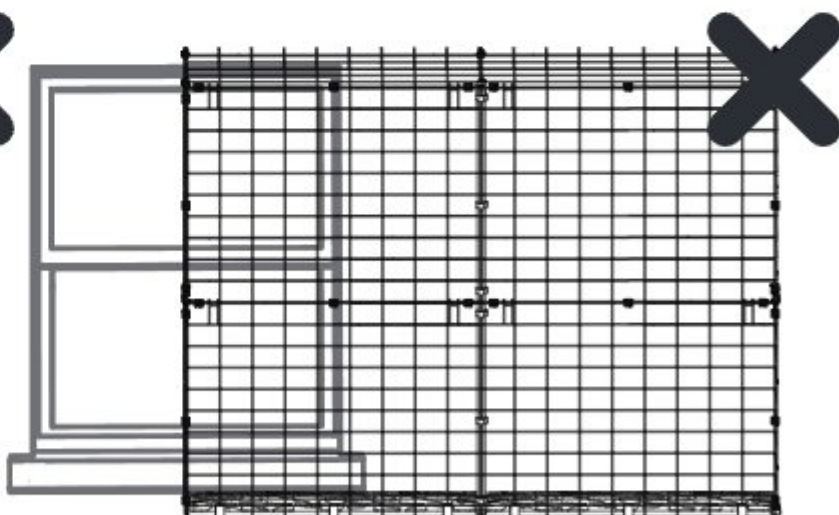
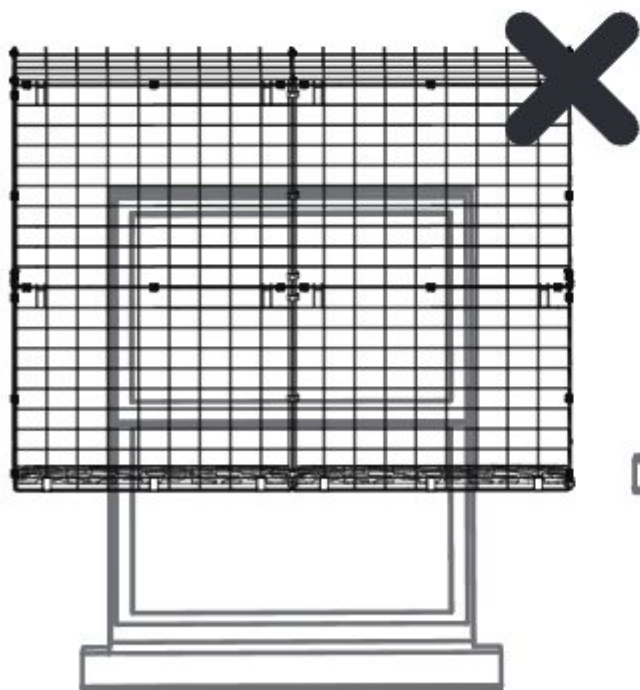
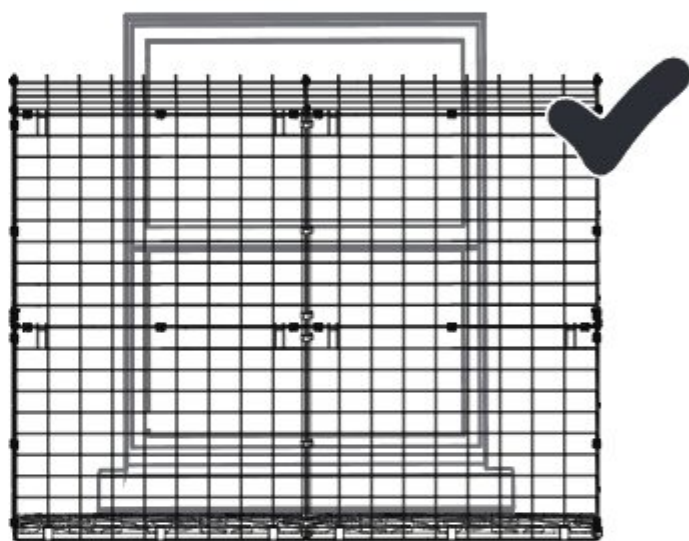
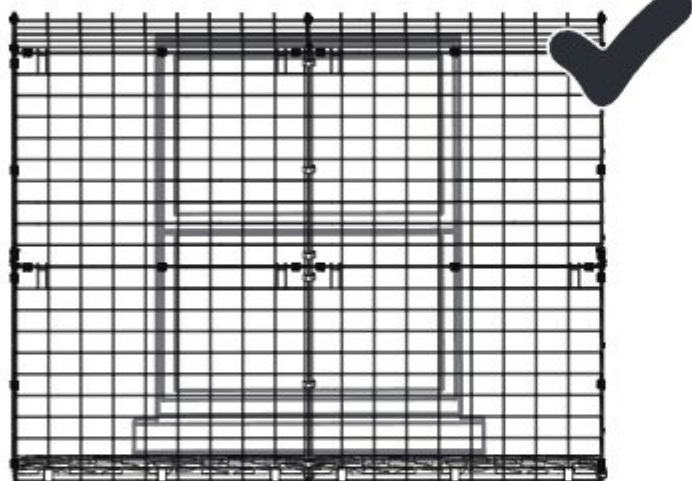
If you don't have Window Box skip to the walkway section of the manual on page 89.

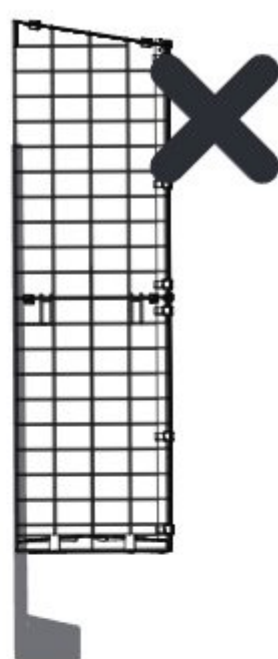
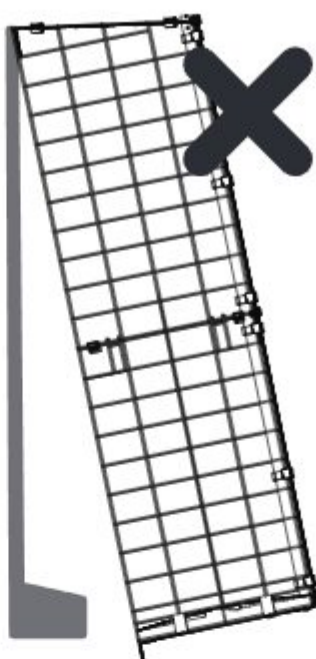
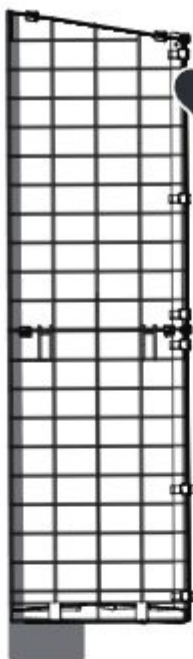
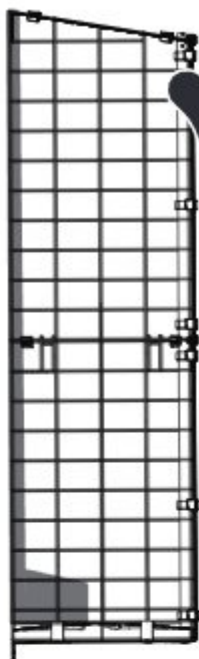
You will need...



Window Box position guidance

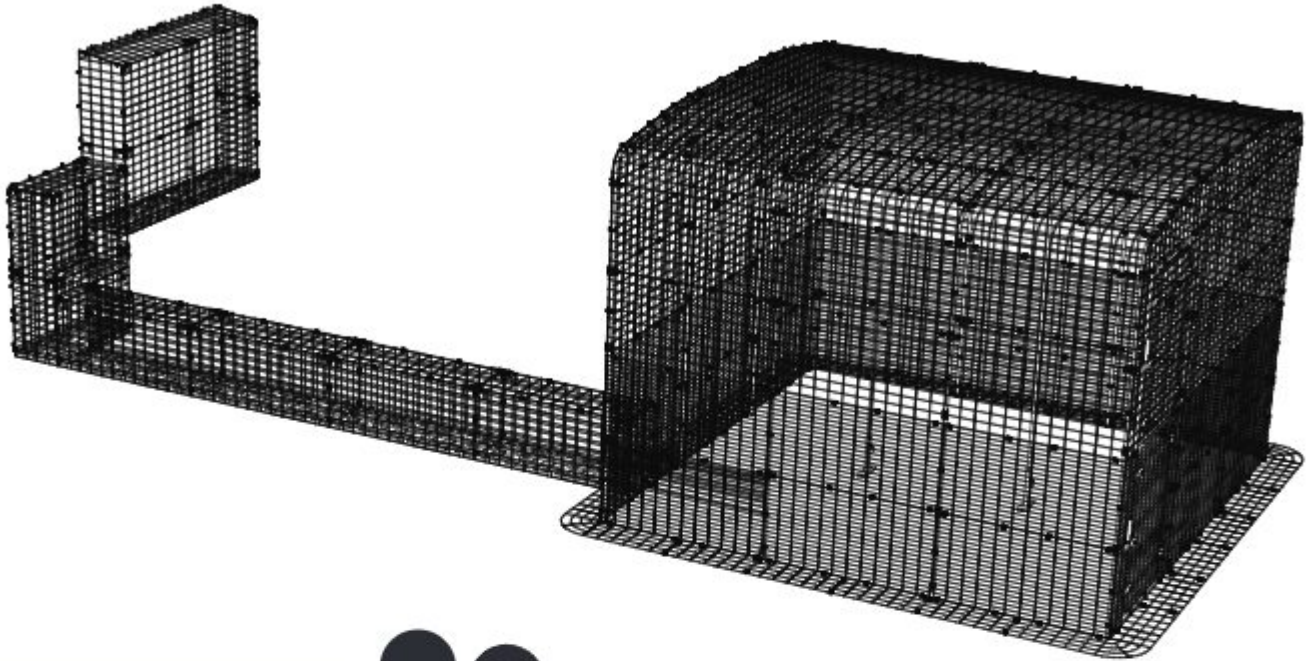
Height/width positioning from a front view



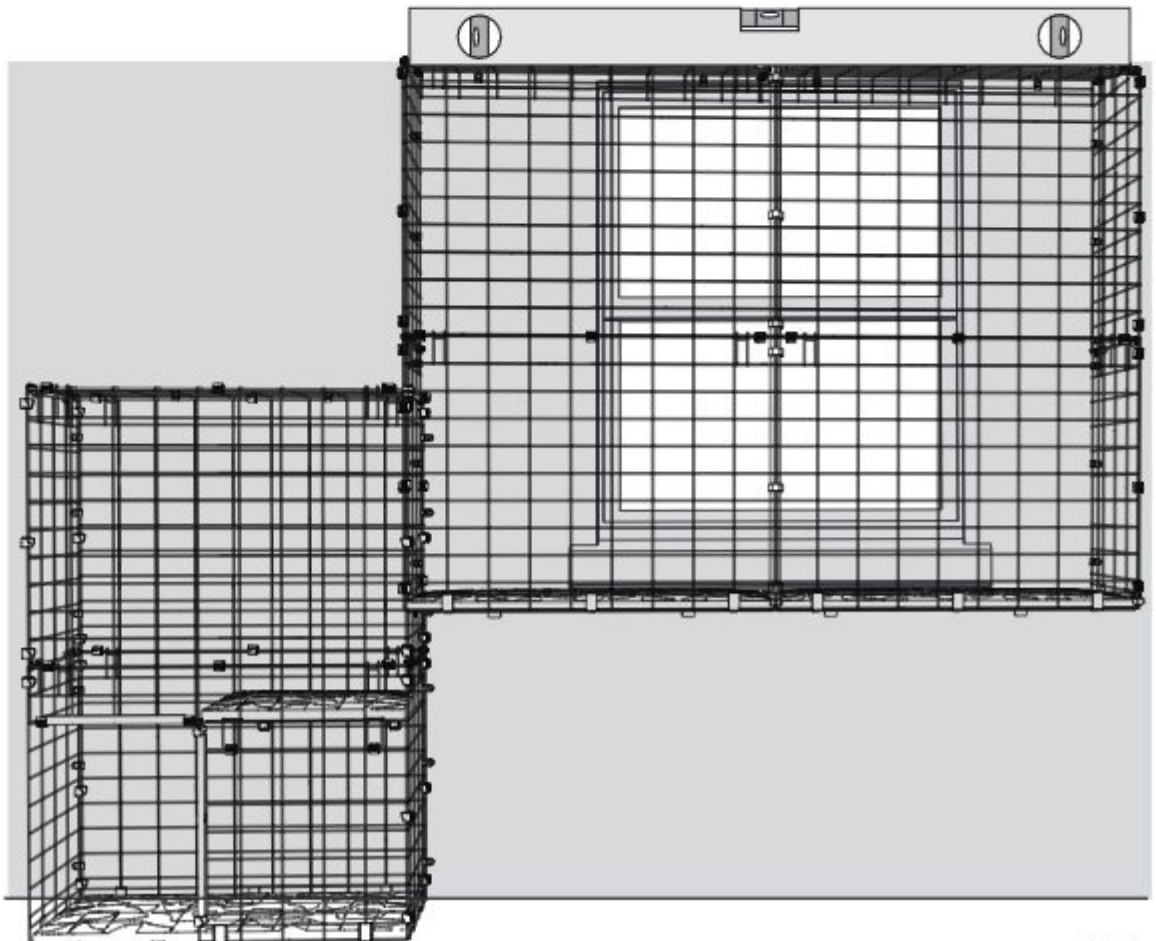




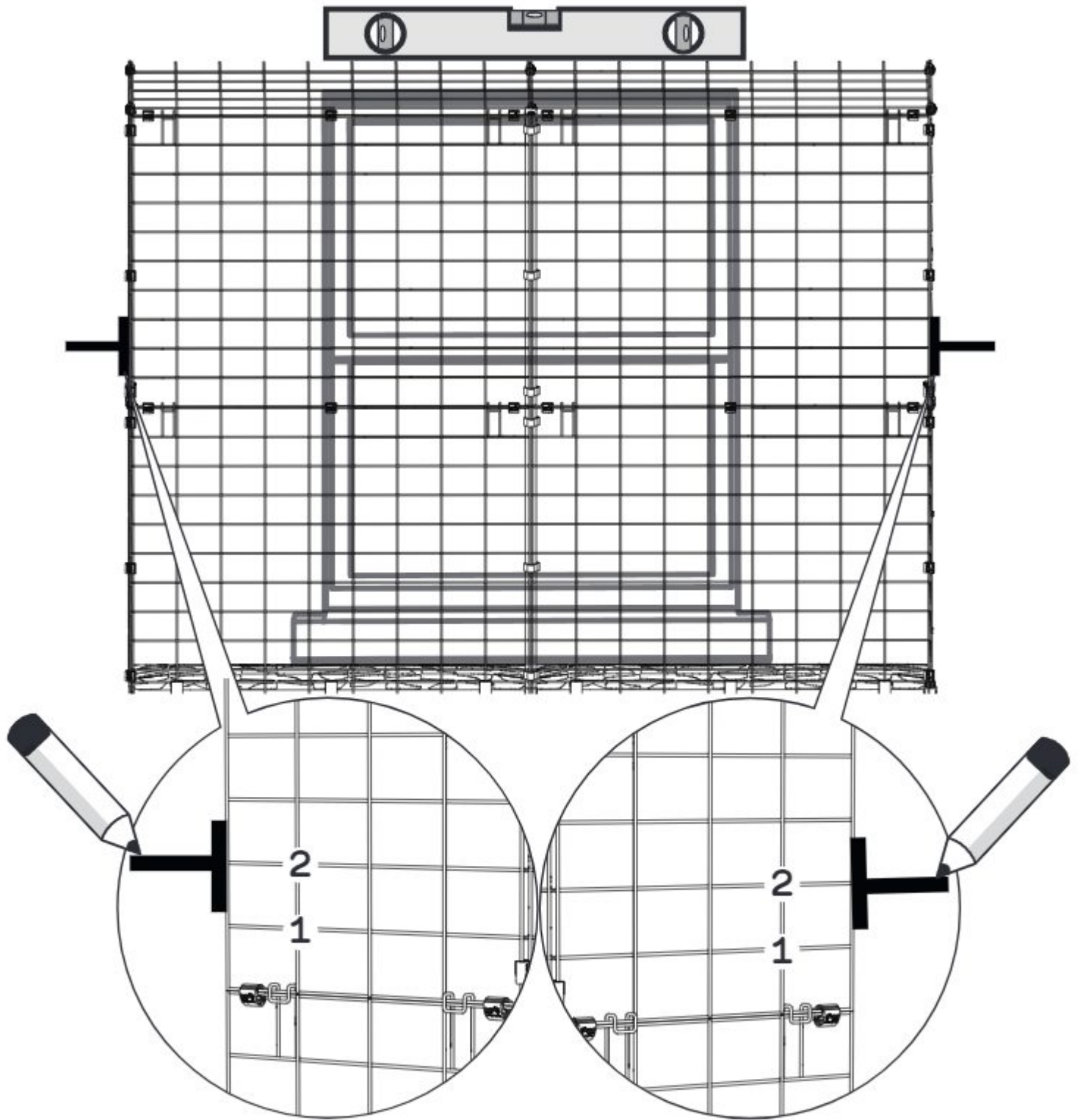
If you're connecting a Tower to your Window Box going down to floor level, use the tower to help line up the height of your Window Box.



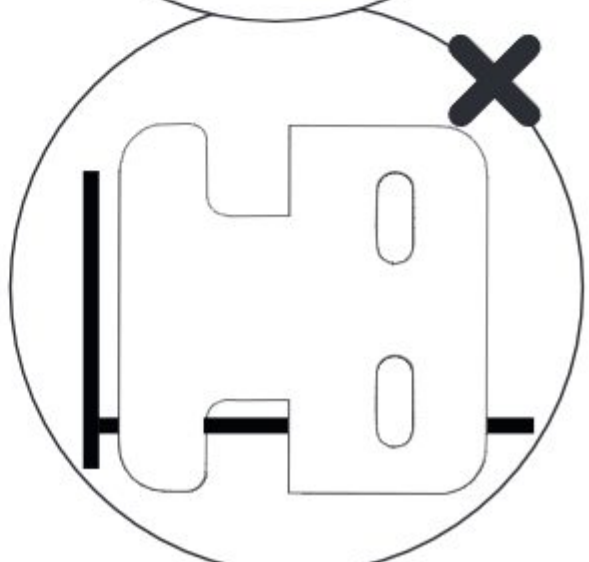
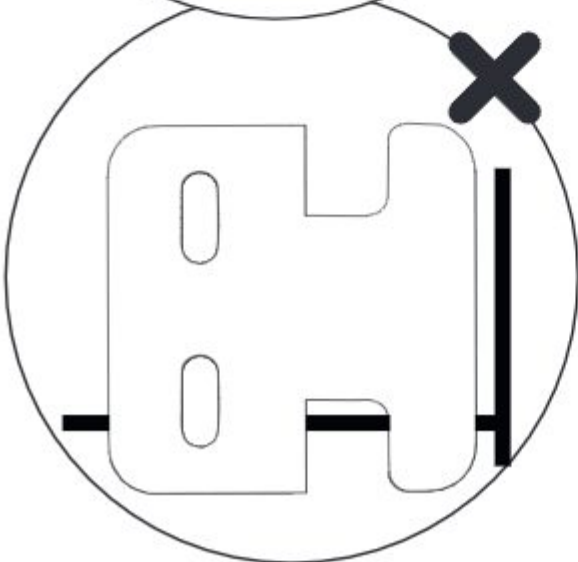
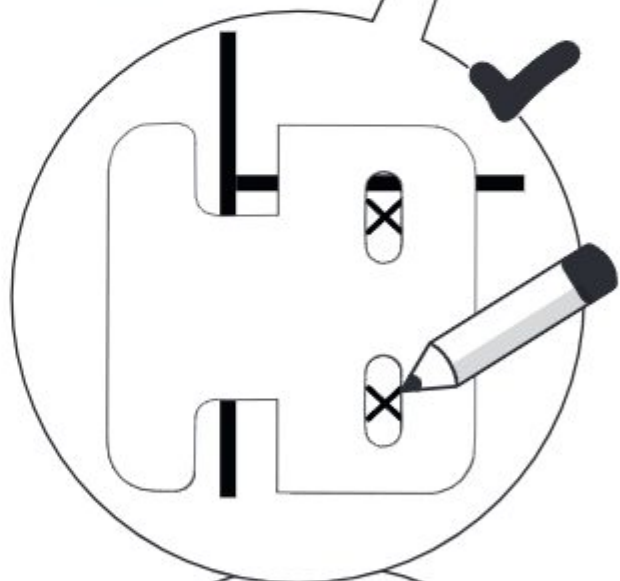
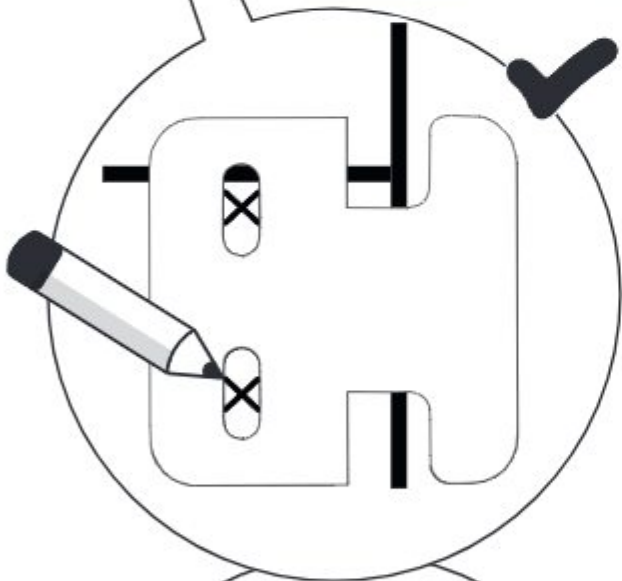
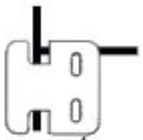
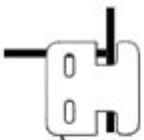
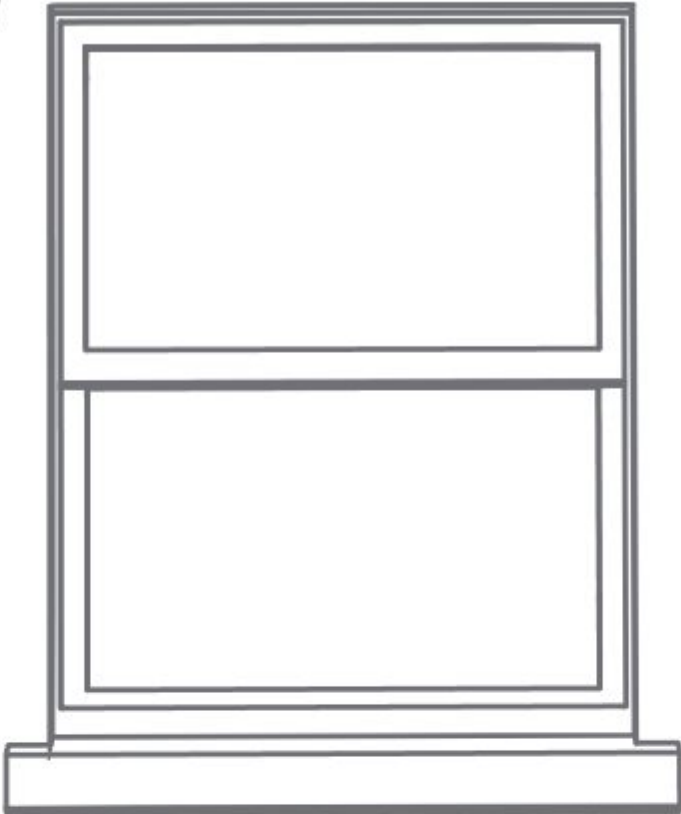
Support weight.



1



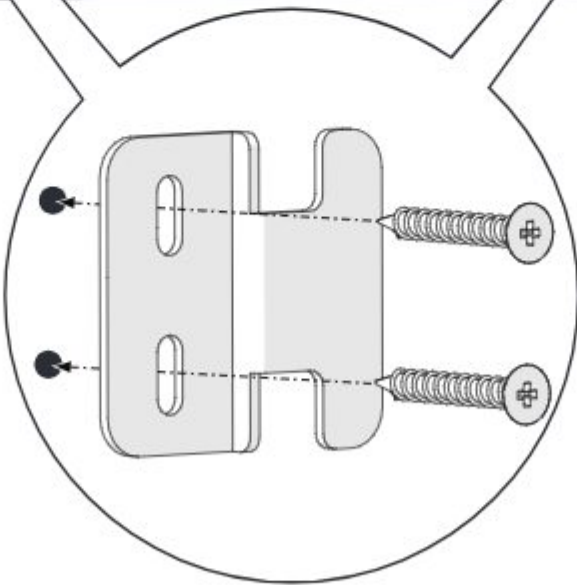
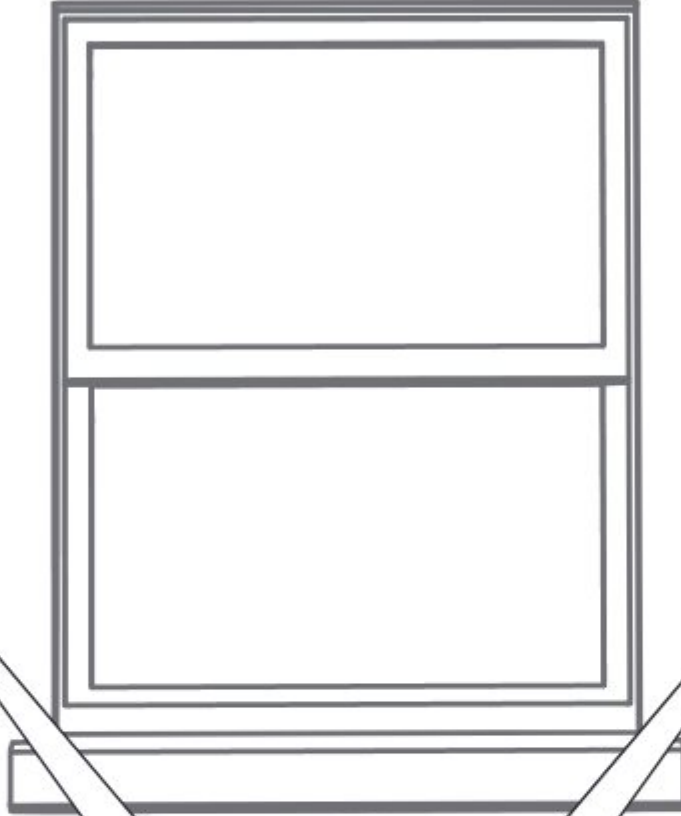
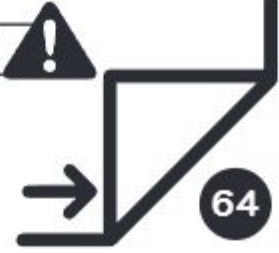
2



3



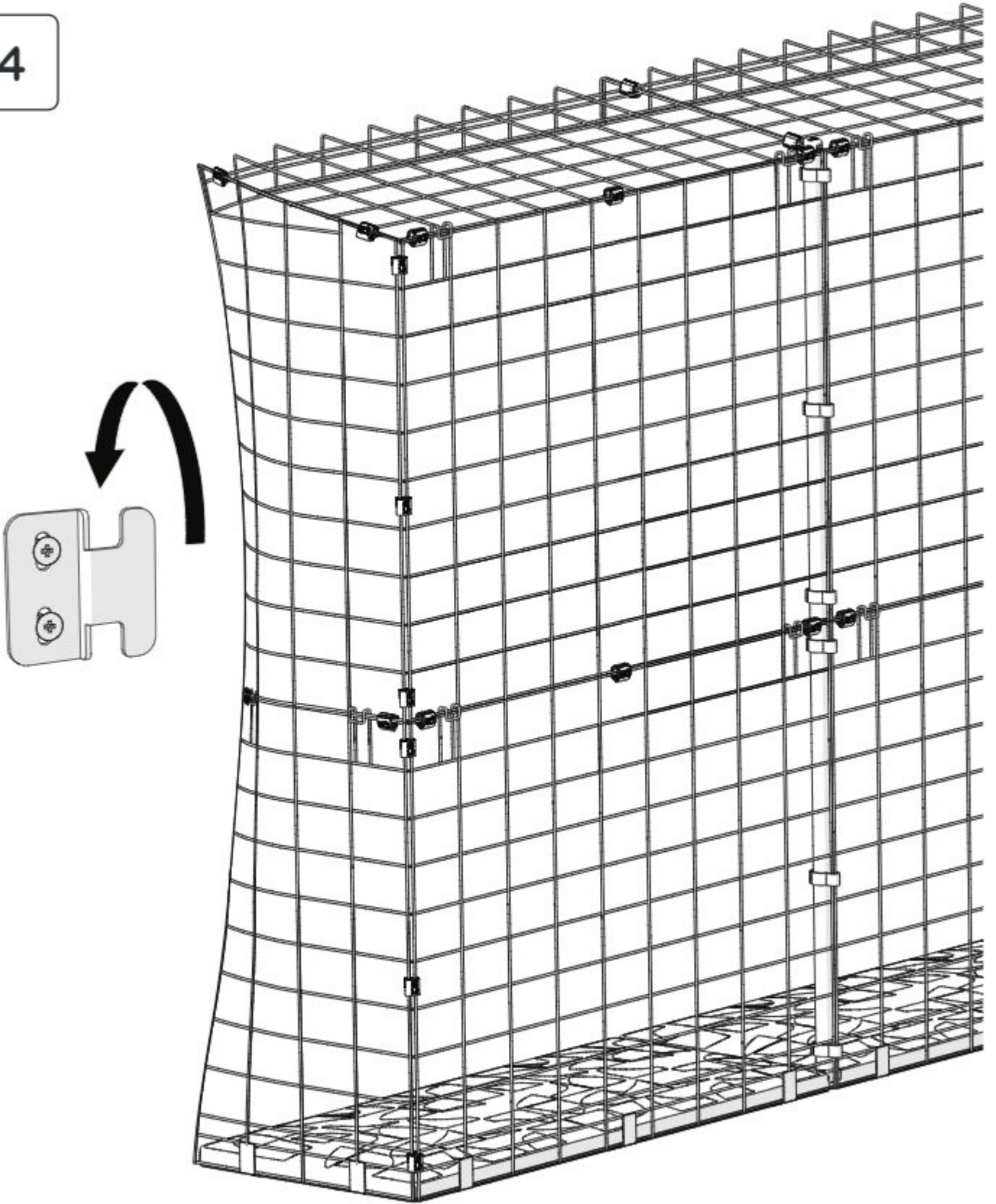
Optional



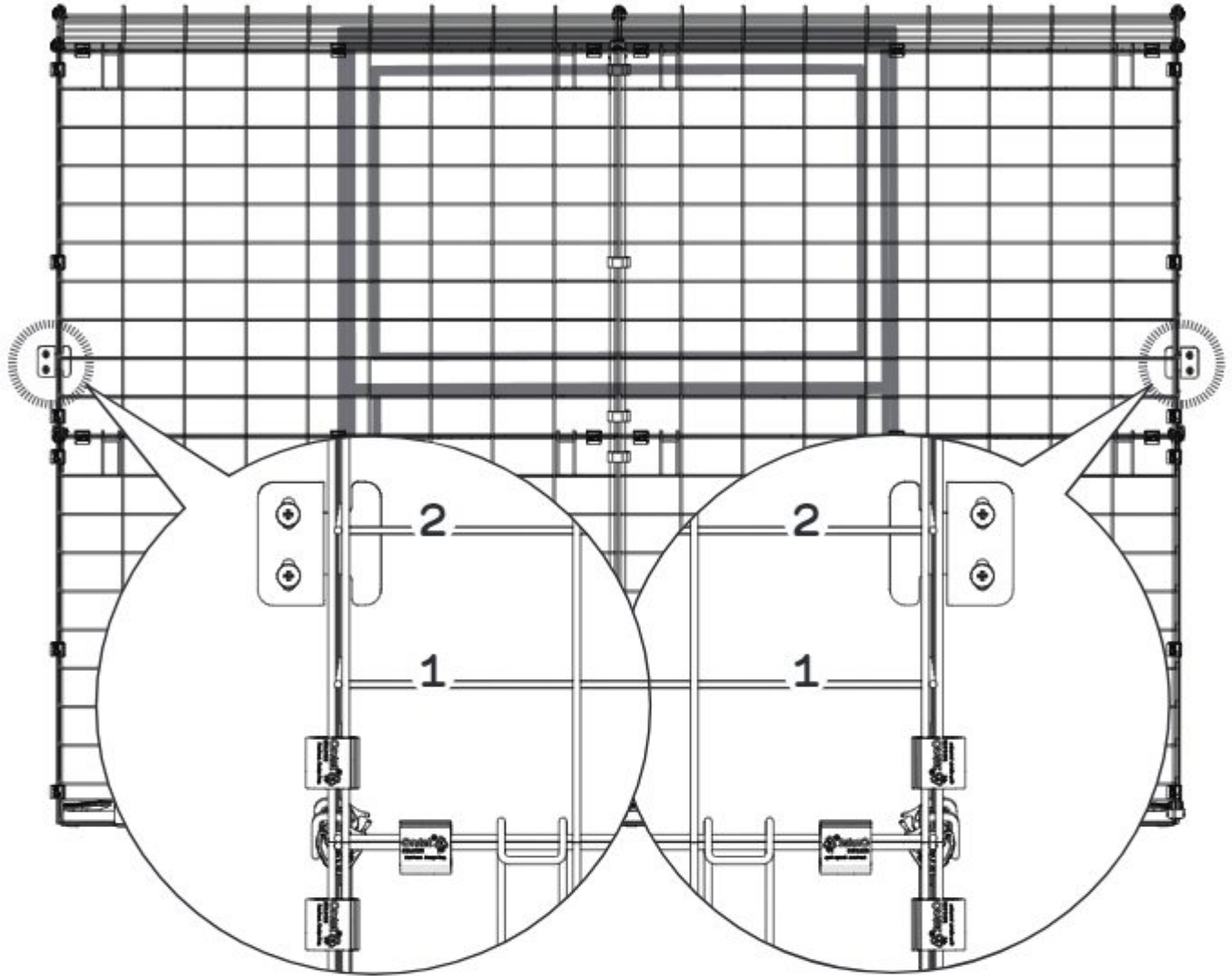


Bend mesh inwards at both sides when hooking your Window Box onto the mesh hanging brackets.

4



5



6

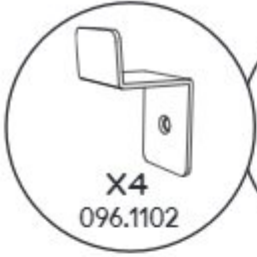


096.1102

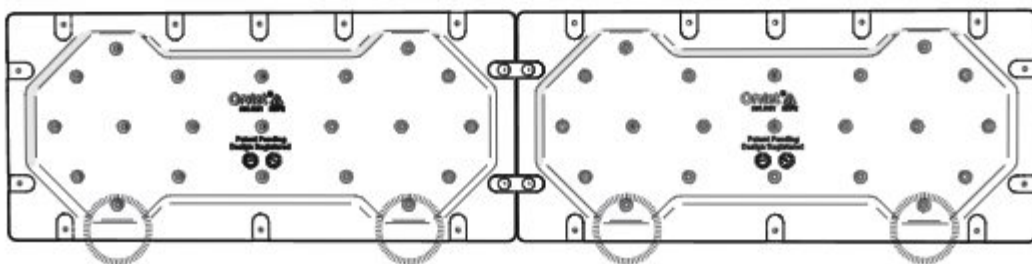
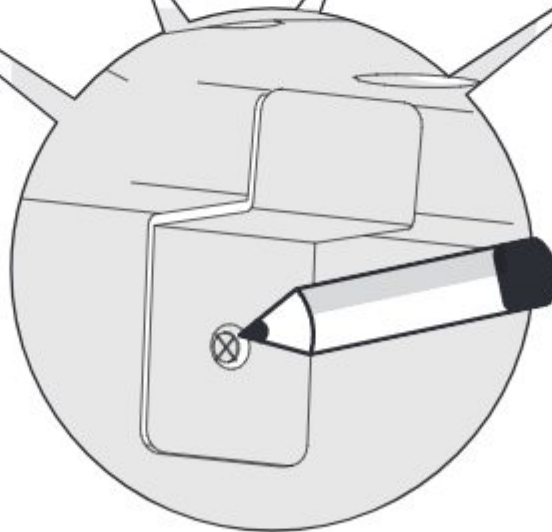
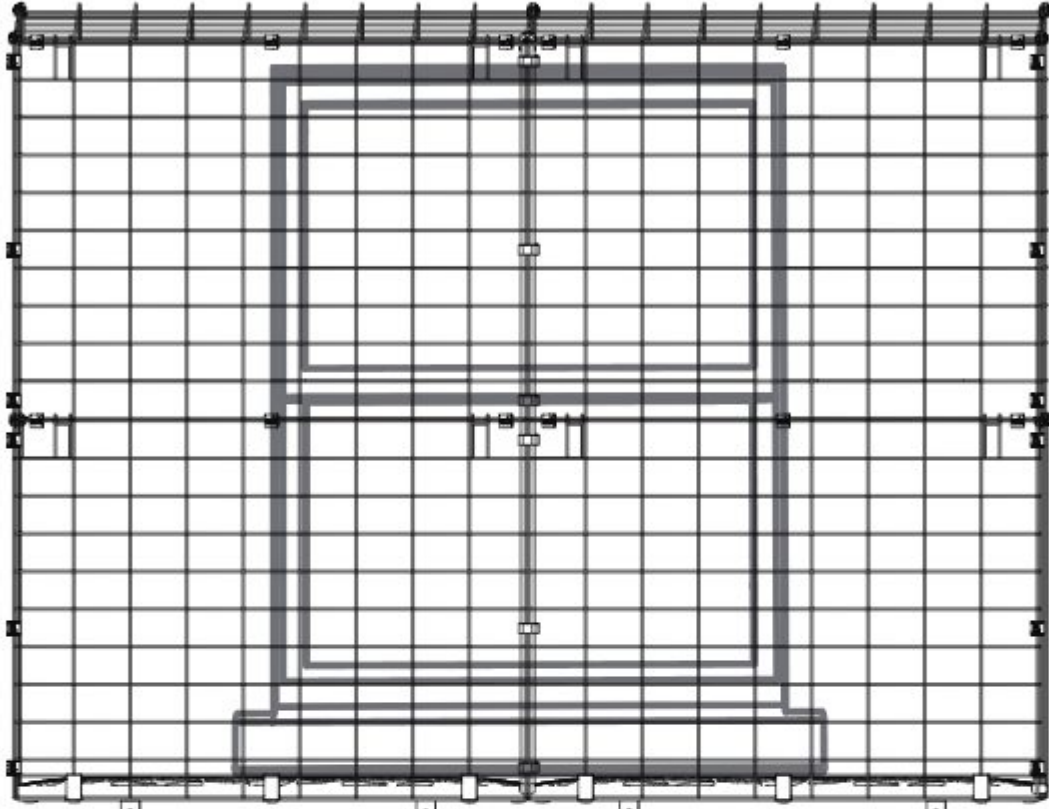
Depending on your Window Box location, attach the brackets as shown in Option 1, 2 or 3 on the following pages.



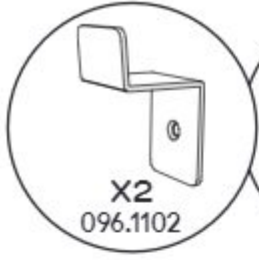
Option 1 - four brackets



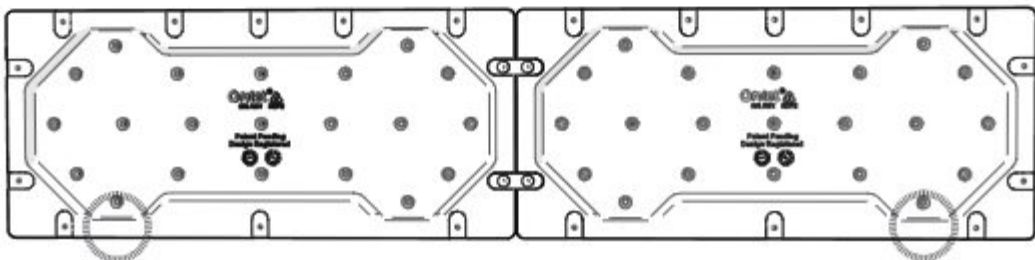
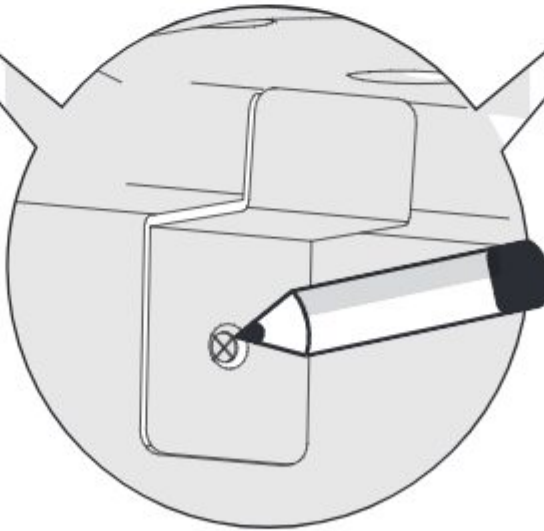
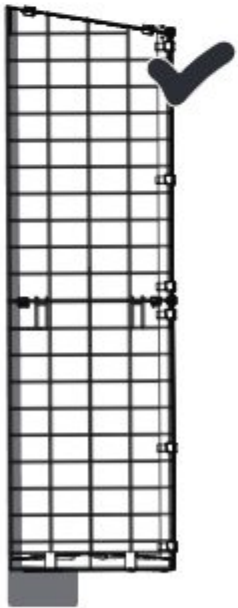
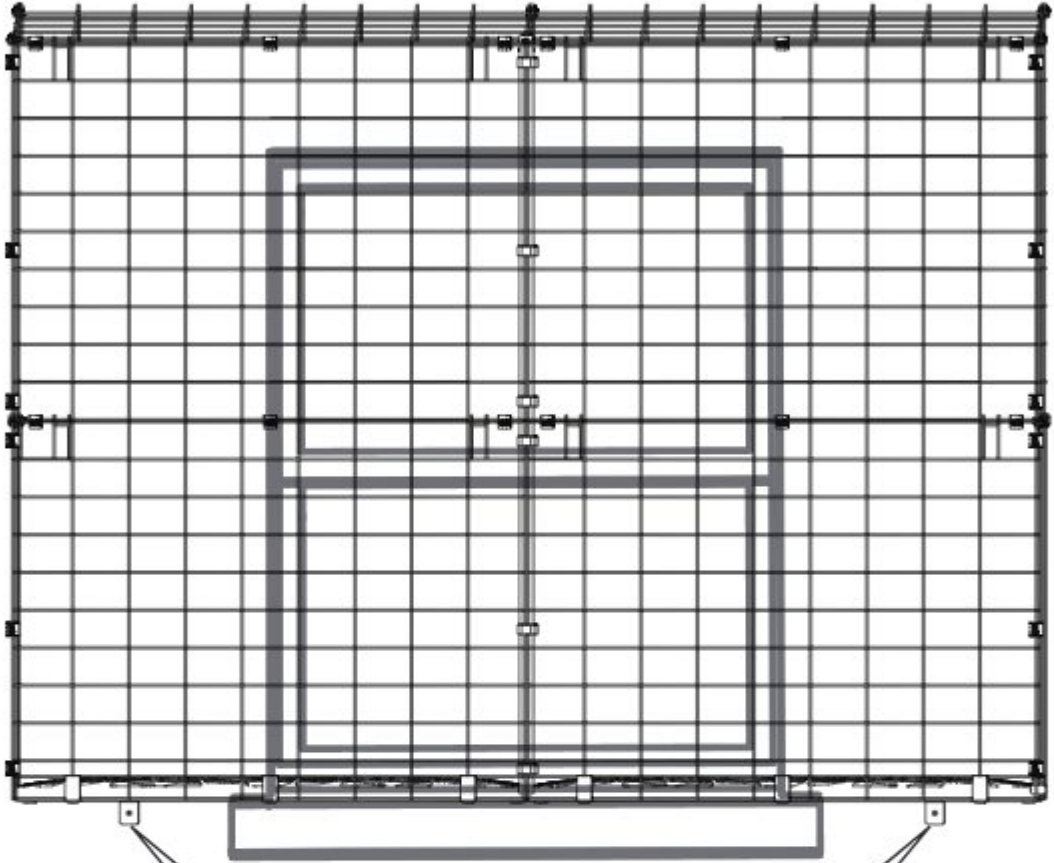
Optional



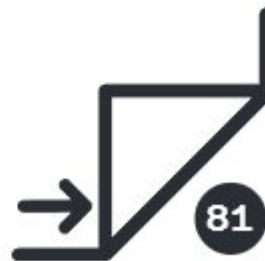
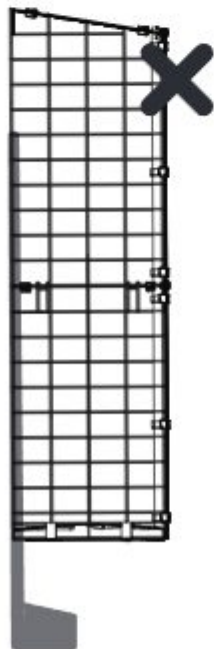
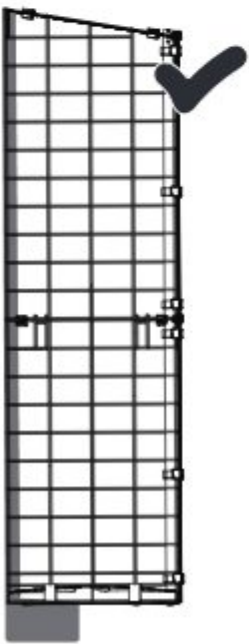
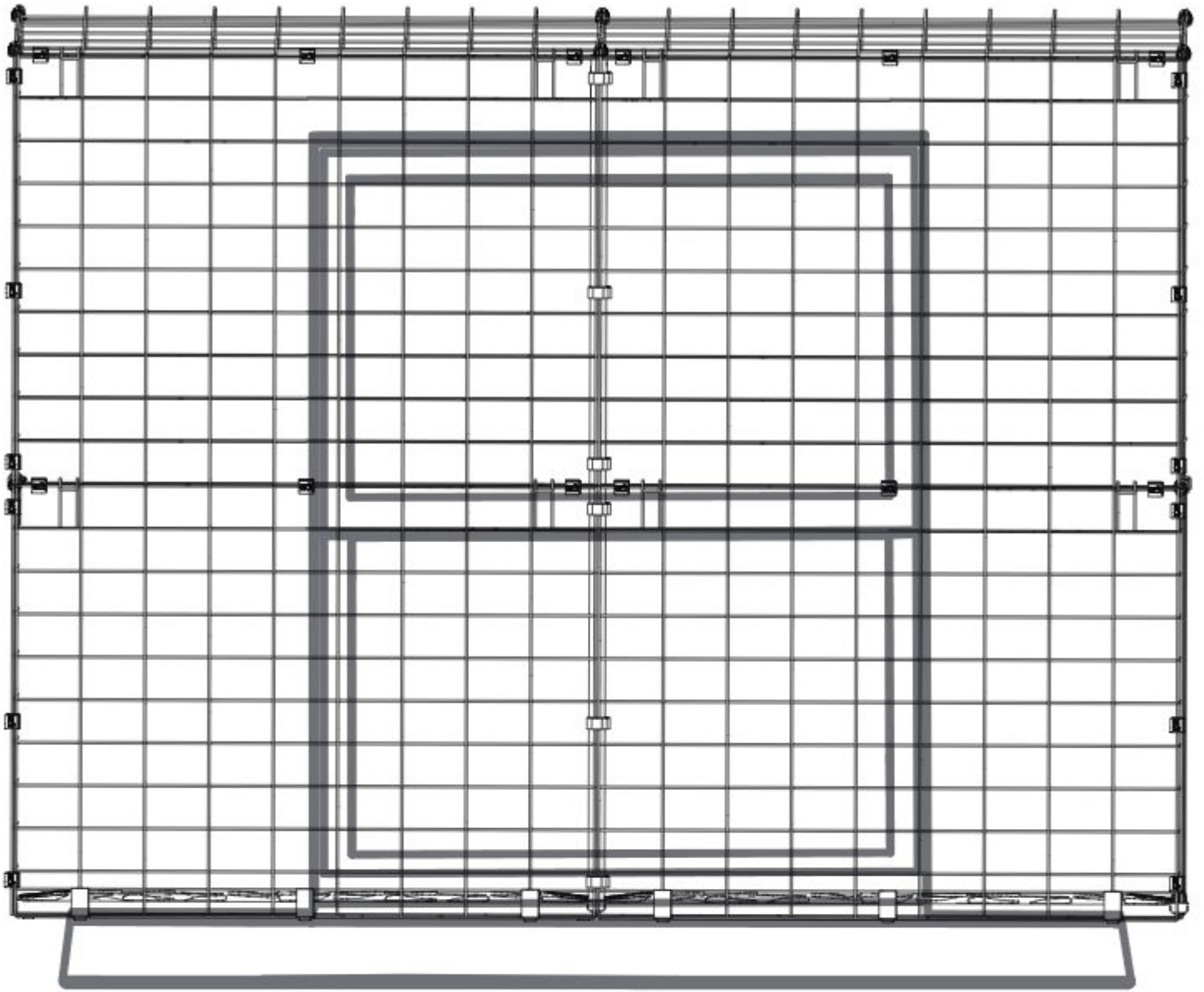
Option 2 - two brackets



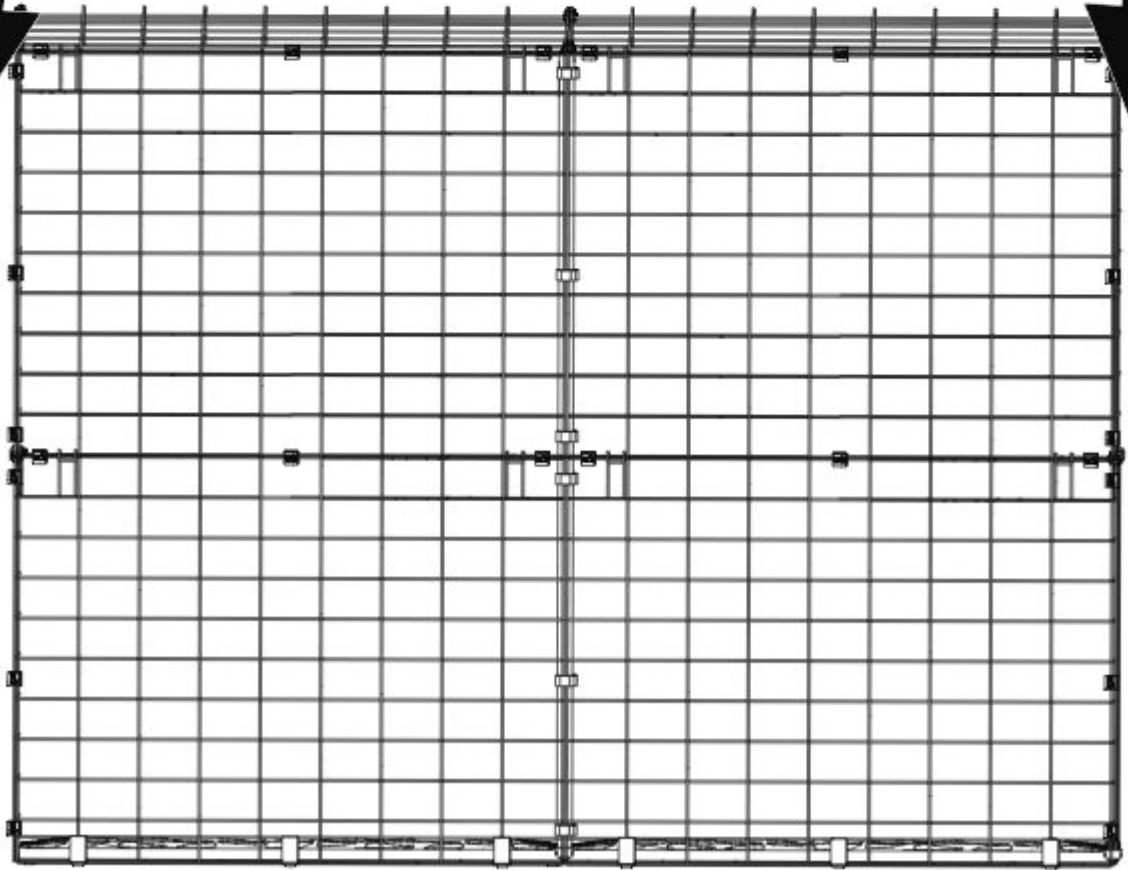
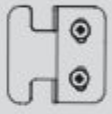
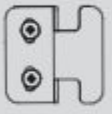
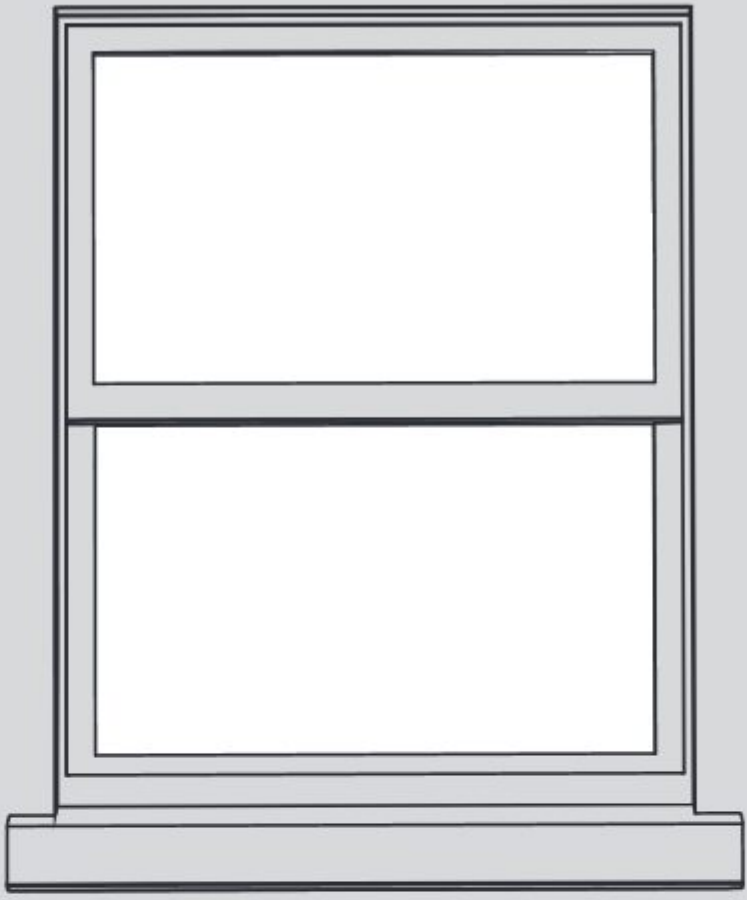
Optional



Option 3 - no brackets



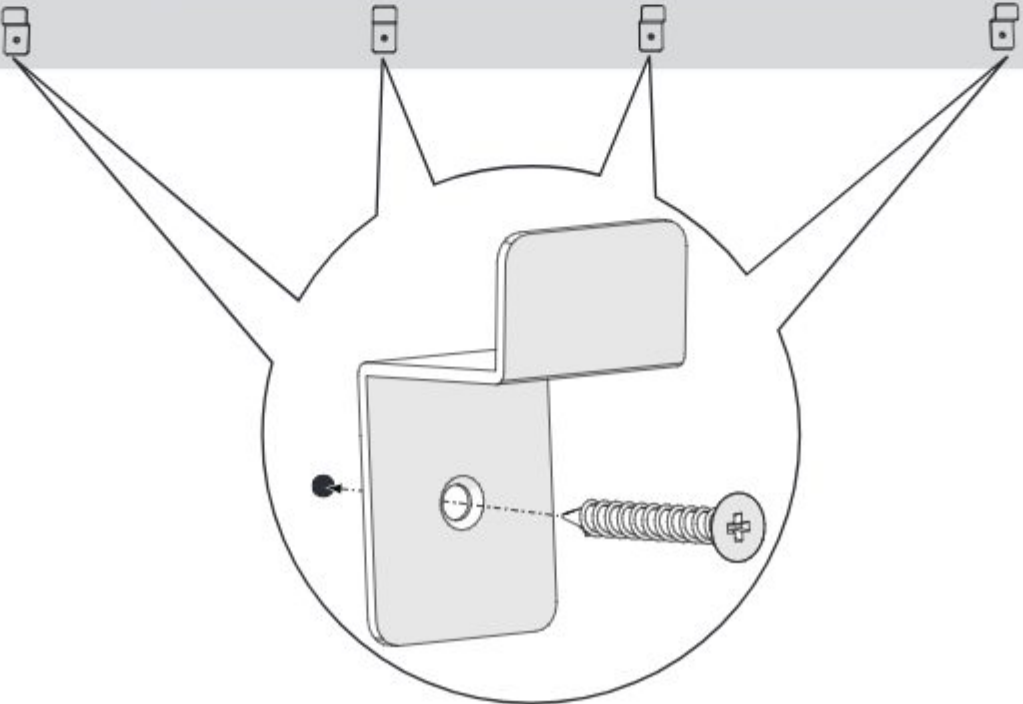
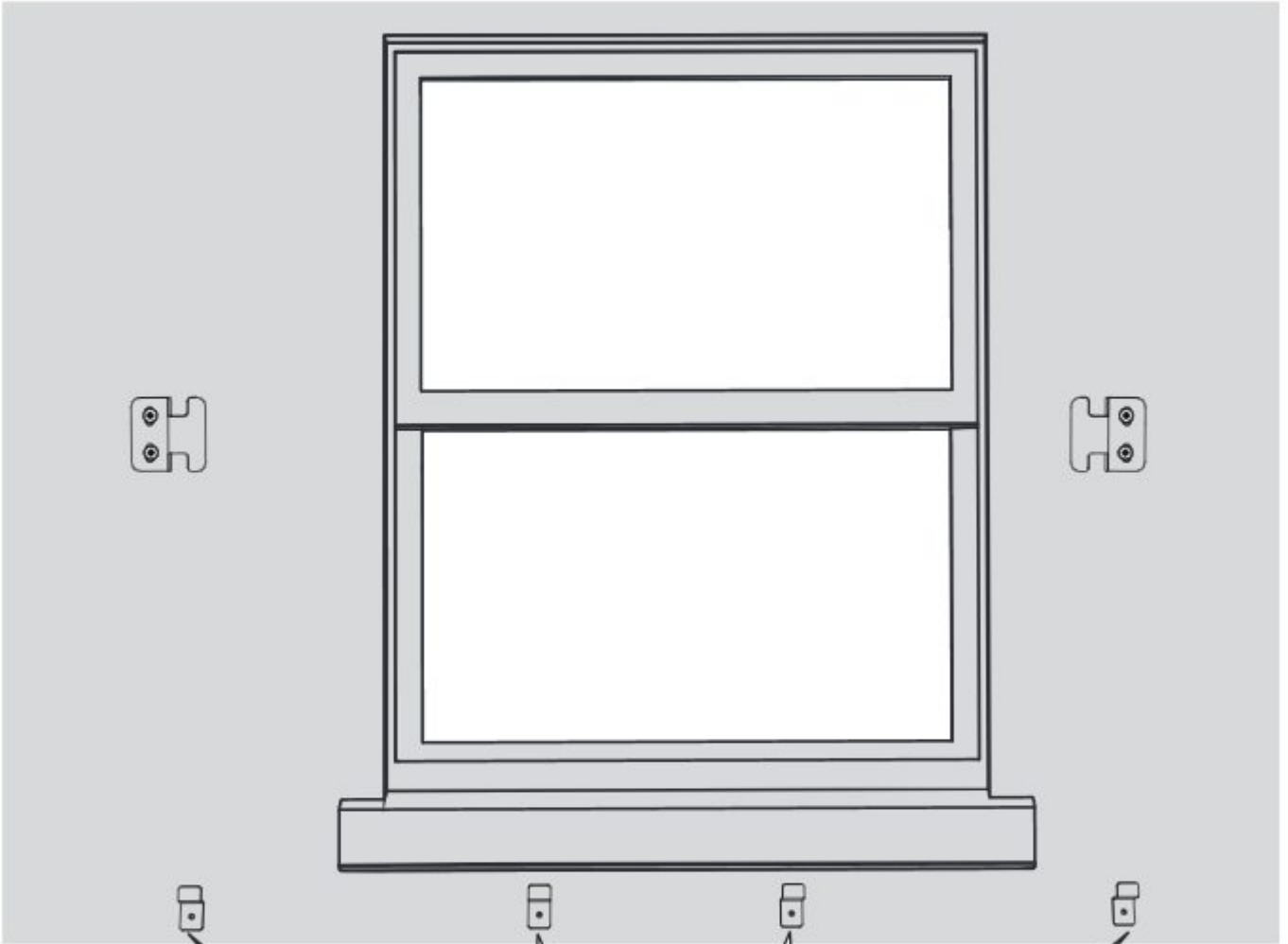
7



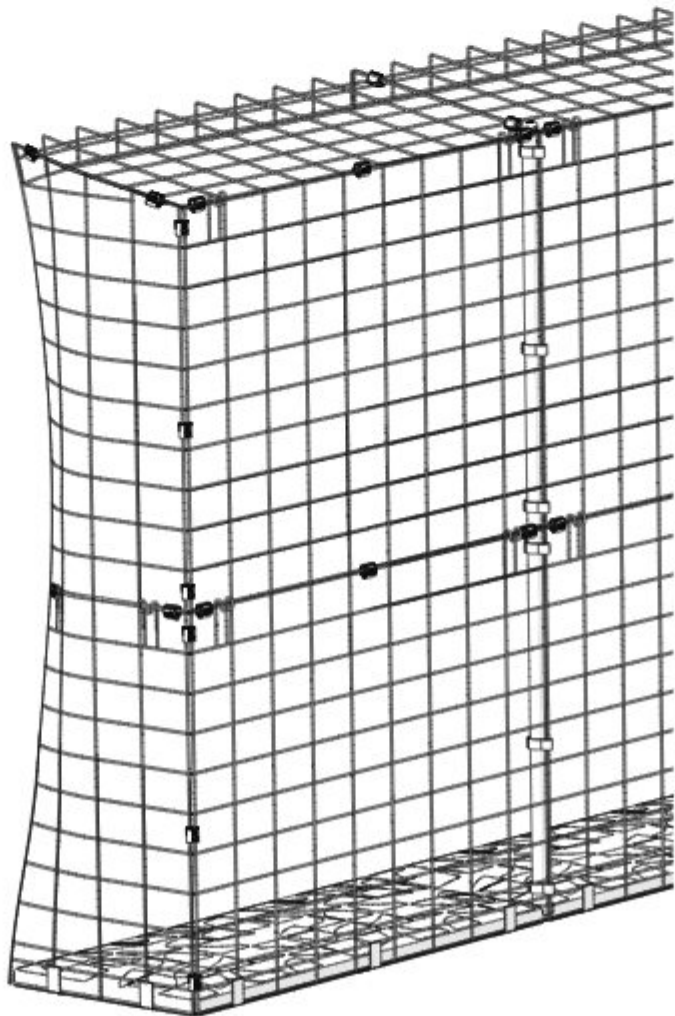
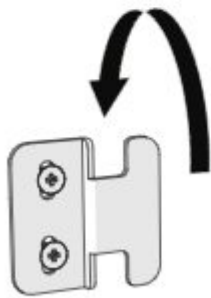
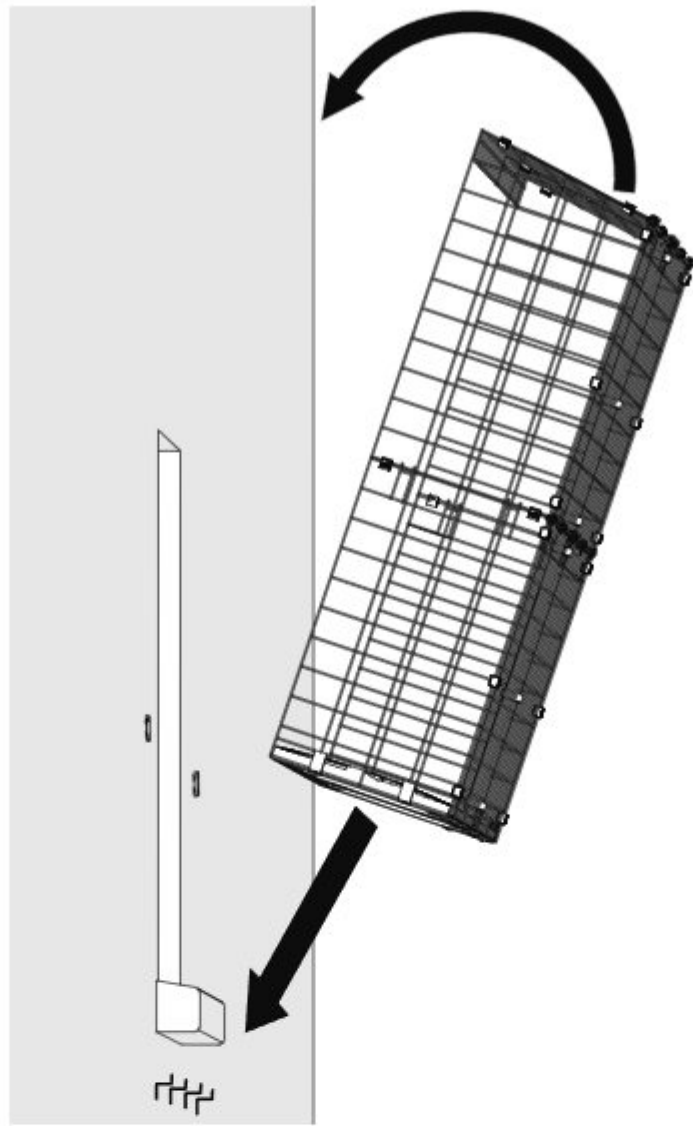
8



Optional



9

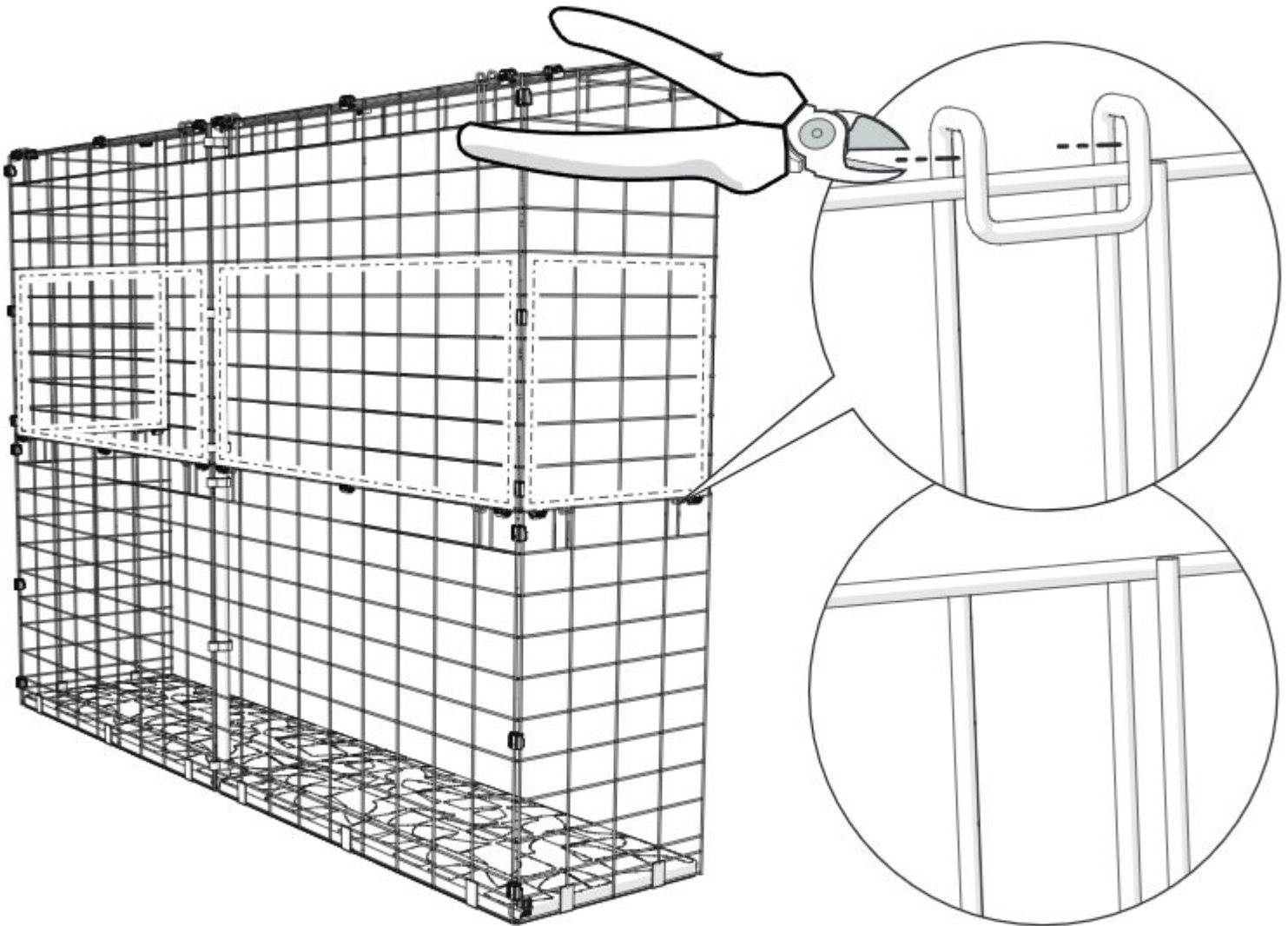




Plan where your Tunnel or Tower attaches to your Window Box. See page 84 - 87 for examples.

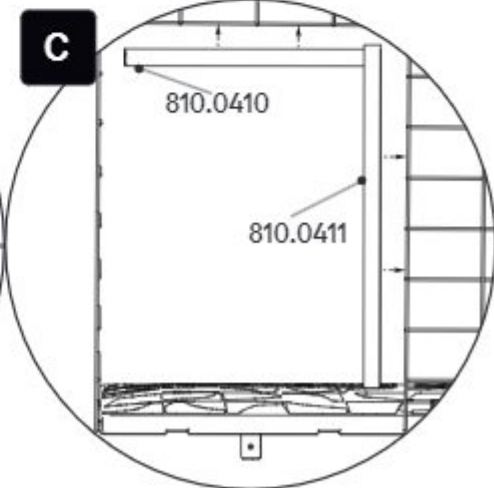
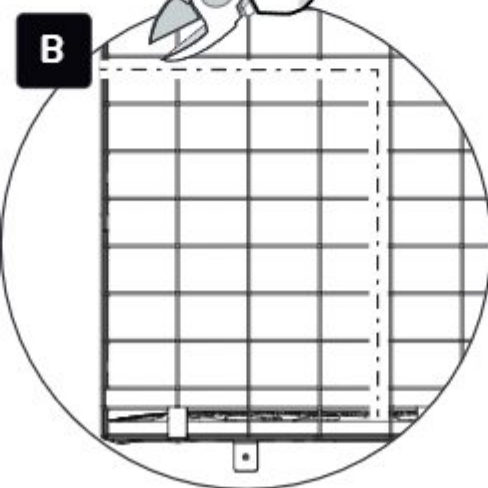
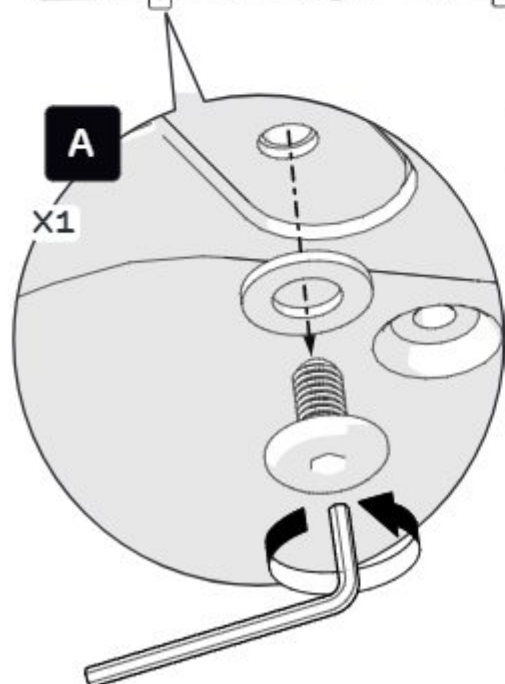
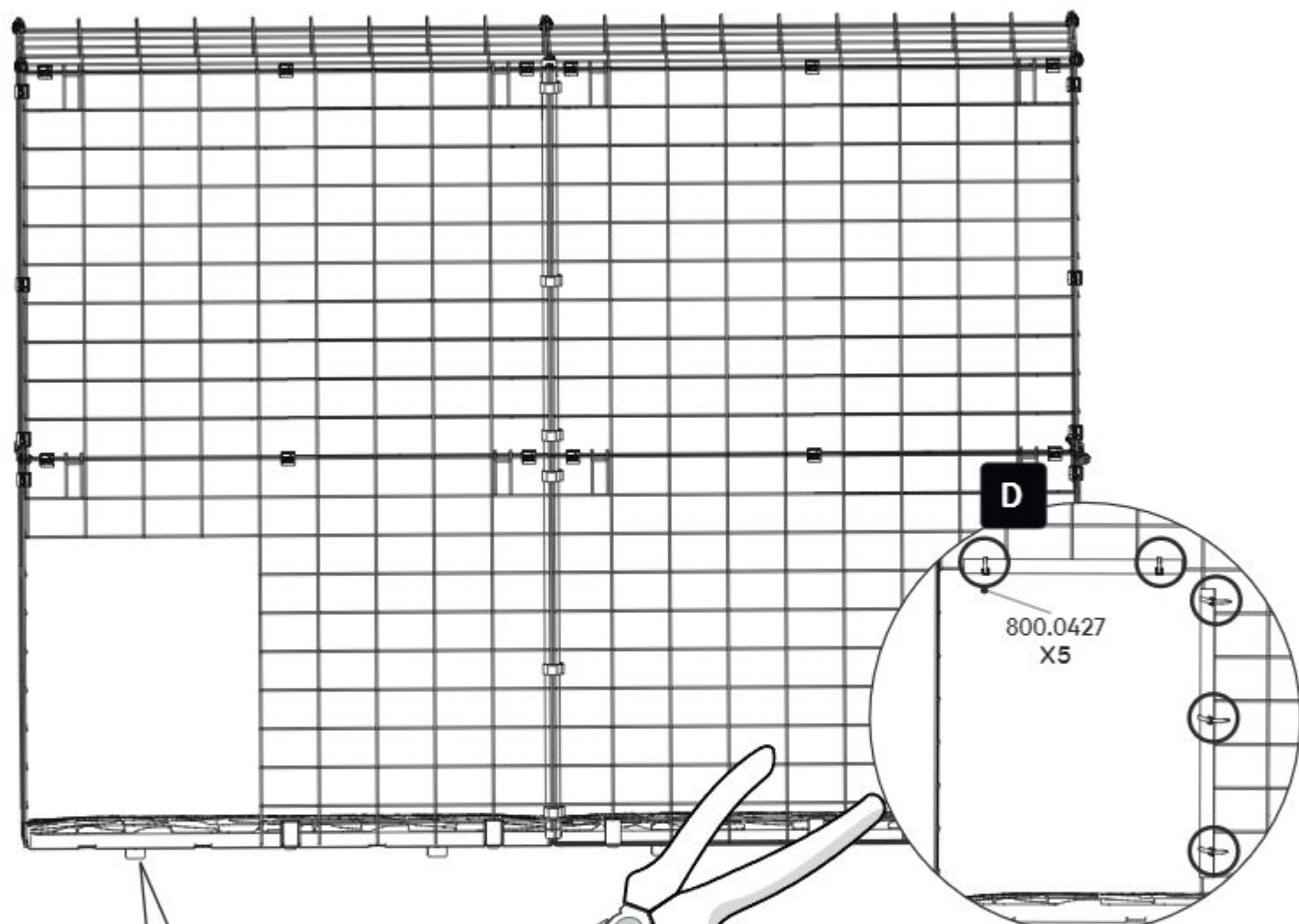
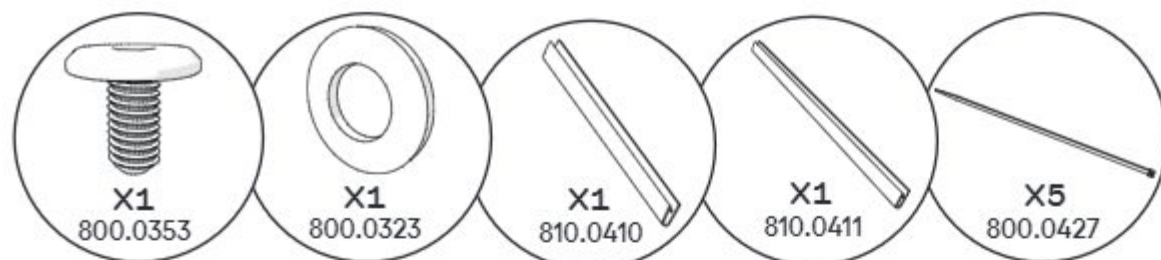


If you cut along these lines please also cut off the mesh hooks.



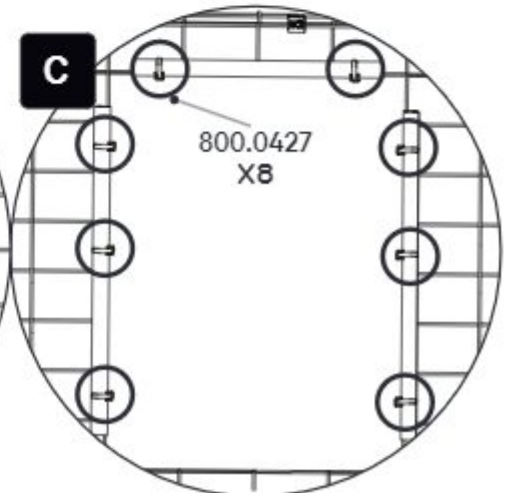
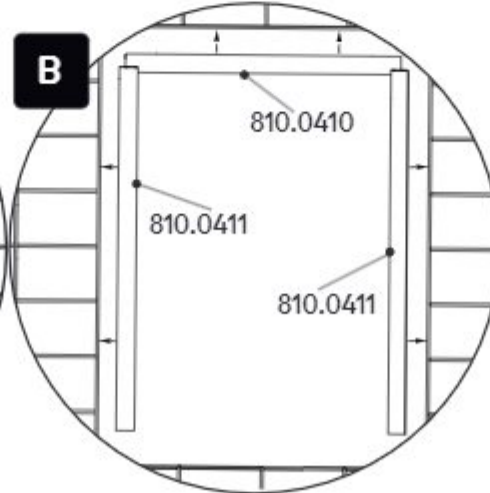
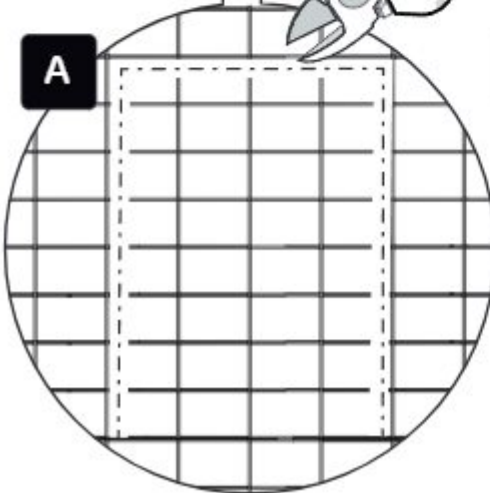
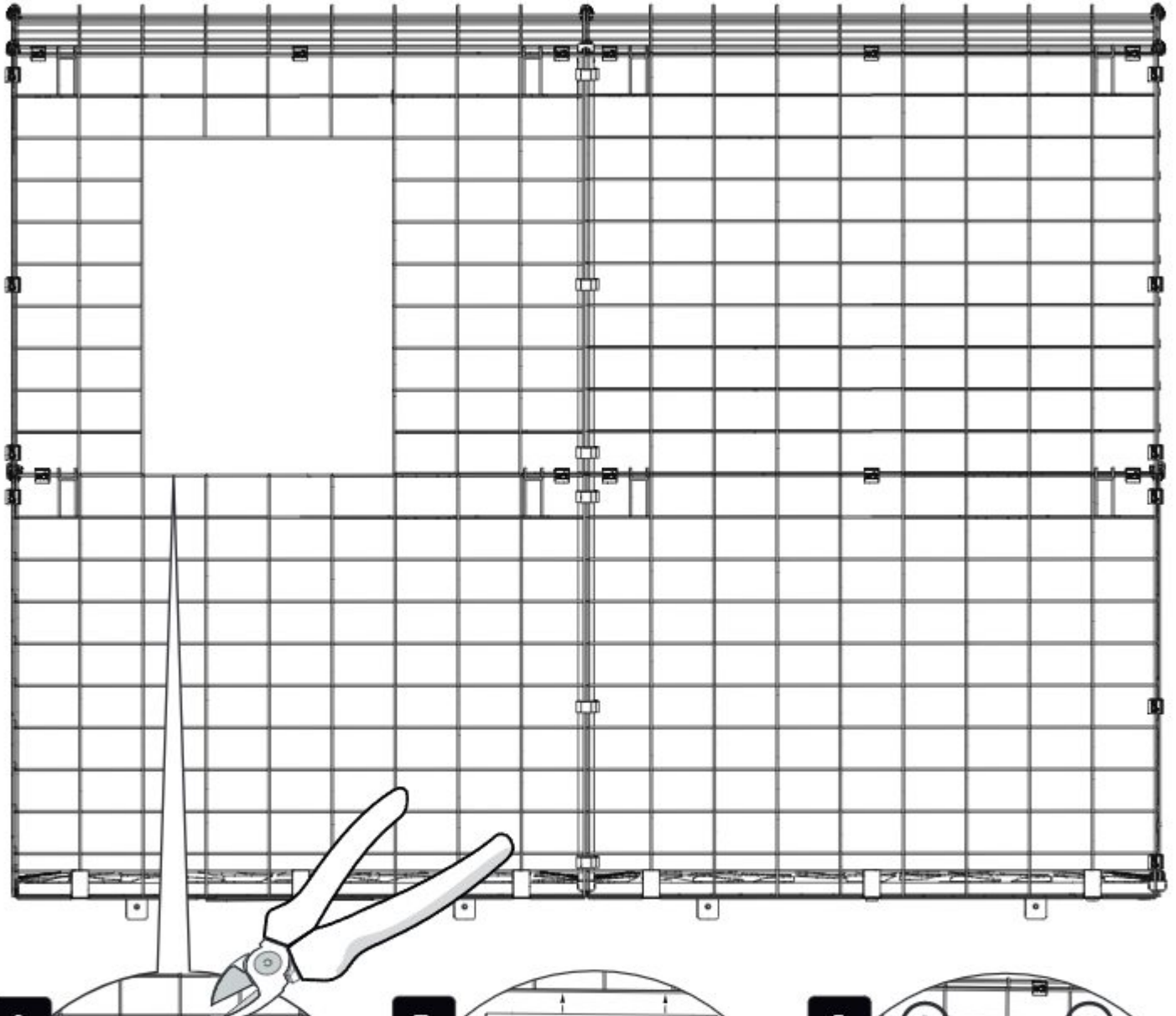
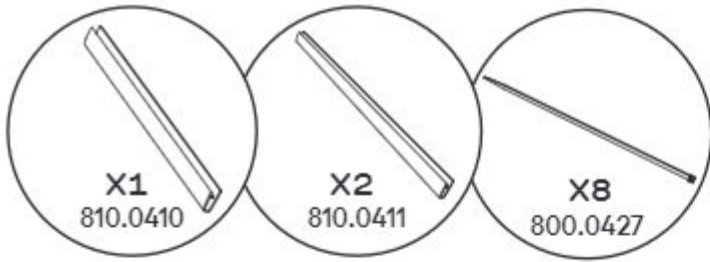
1

Example 1



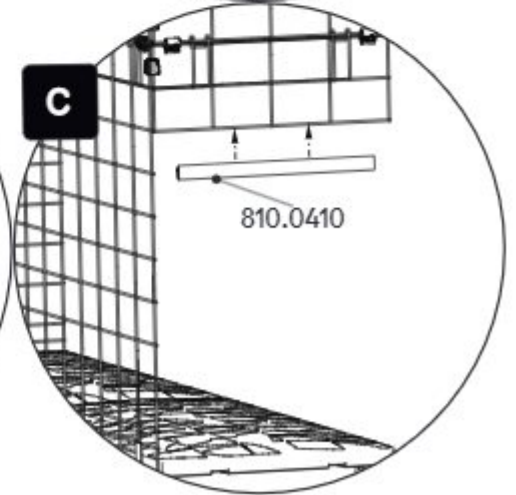
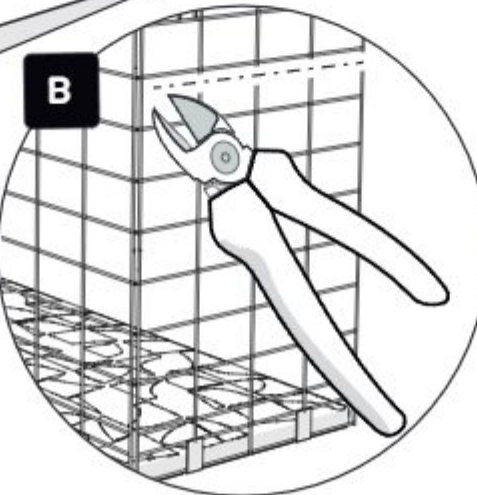
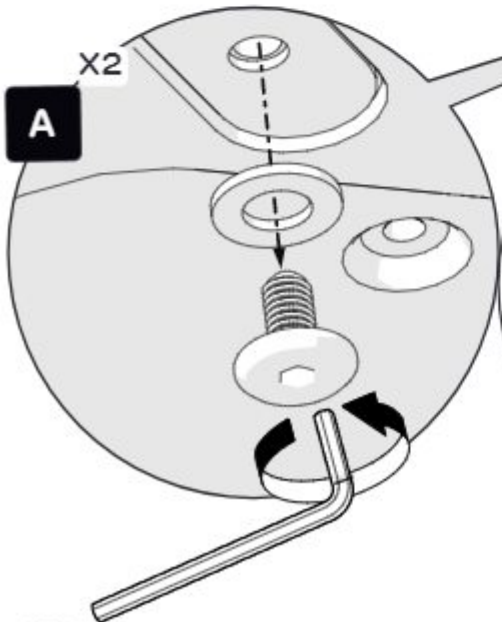
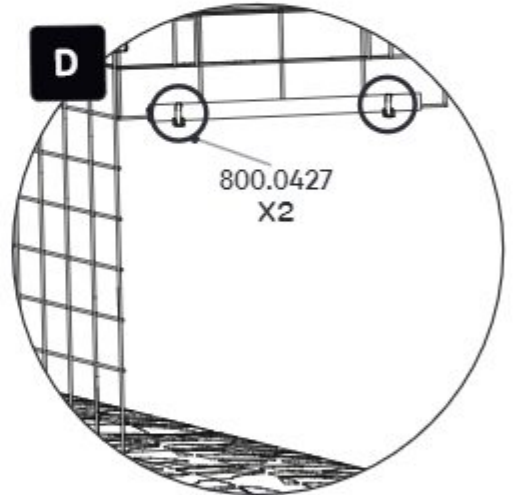
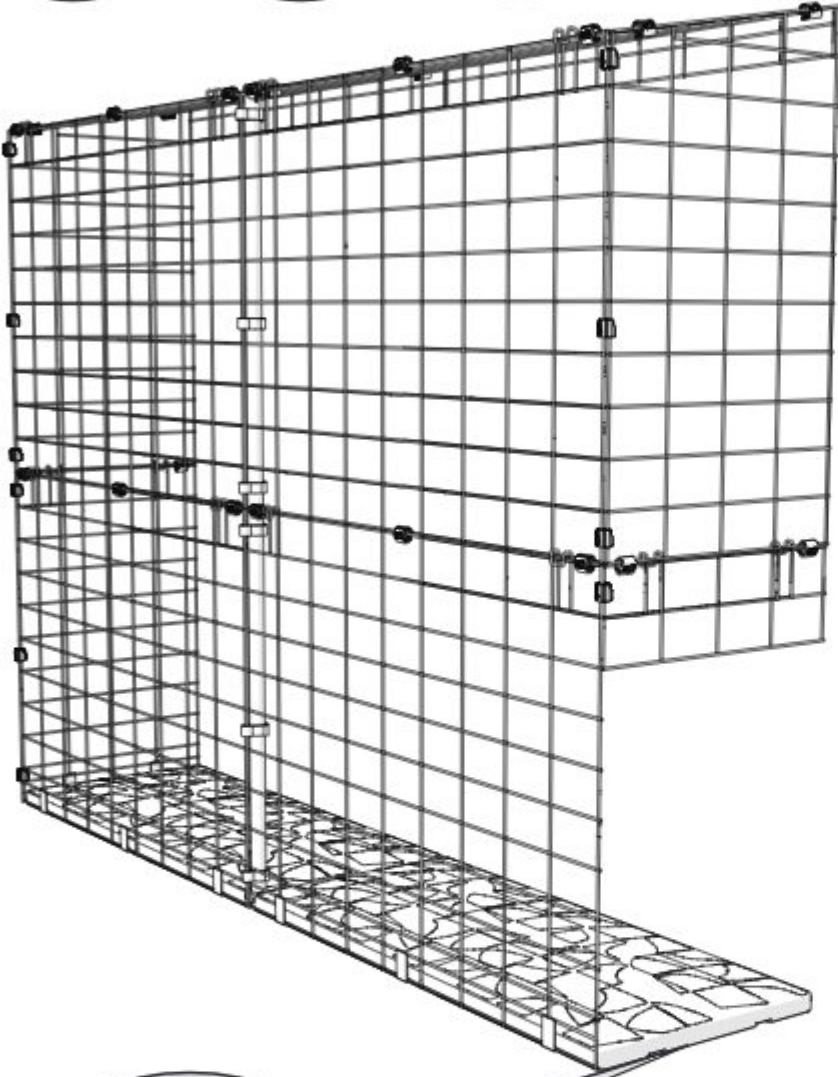
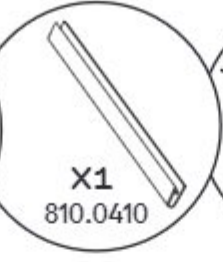
2

Example 2



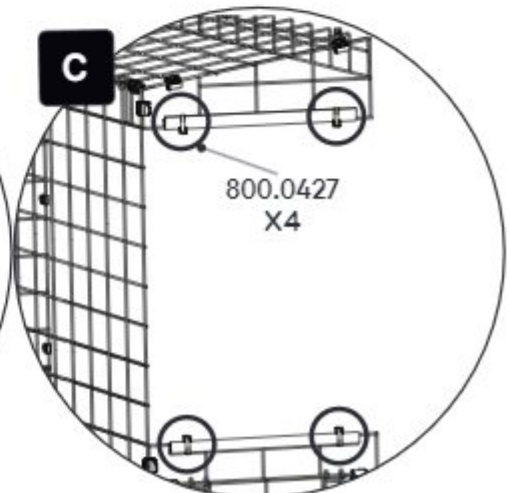
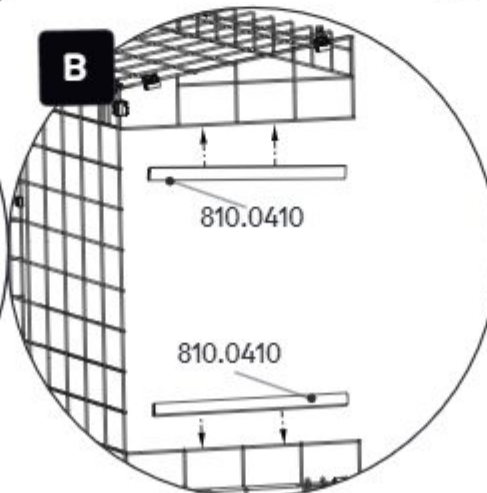
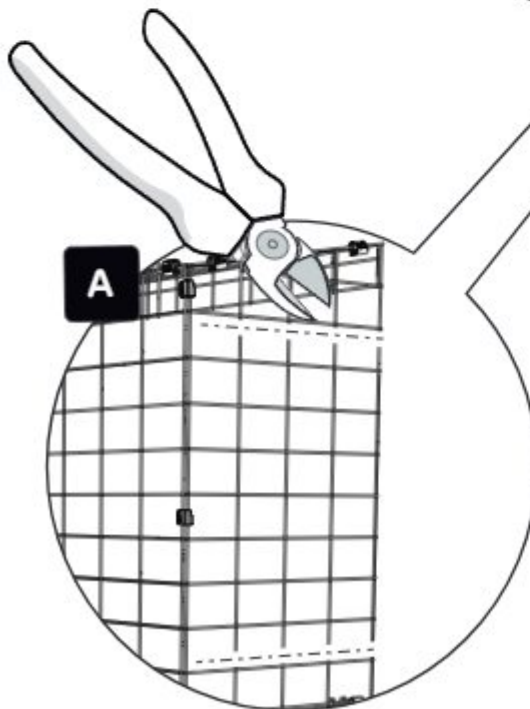
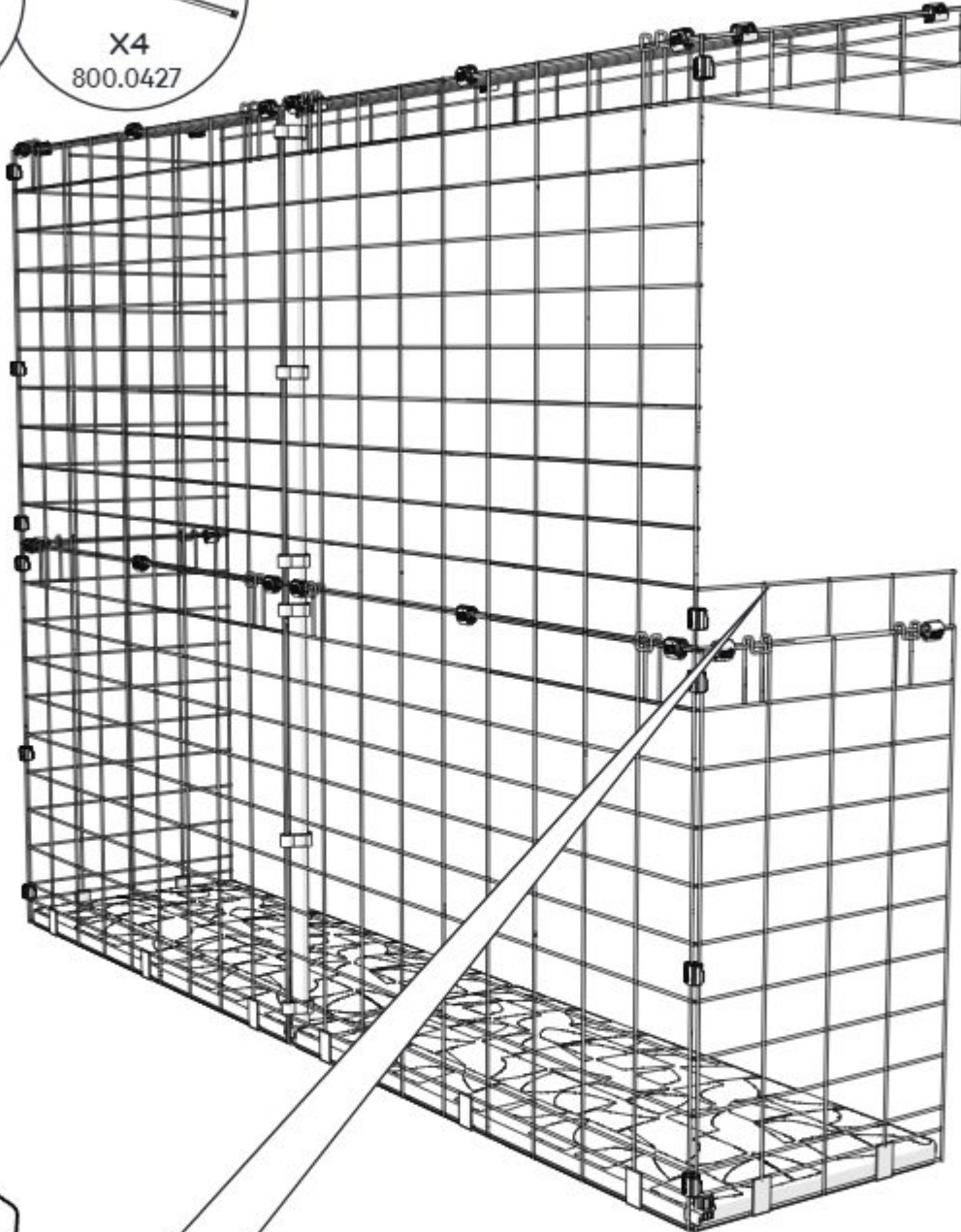
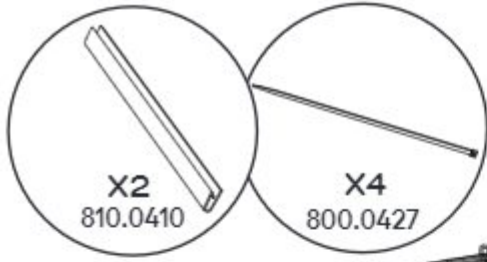
3

Example 3



4

Example 4





Please add wall mounting clips where required for extra support.



800.1045



800.0366

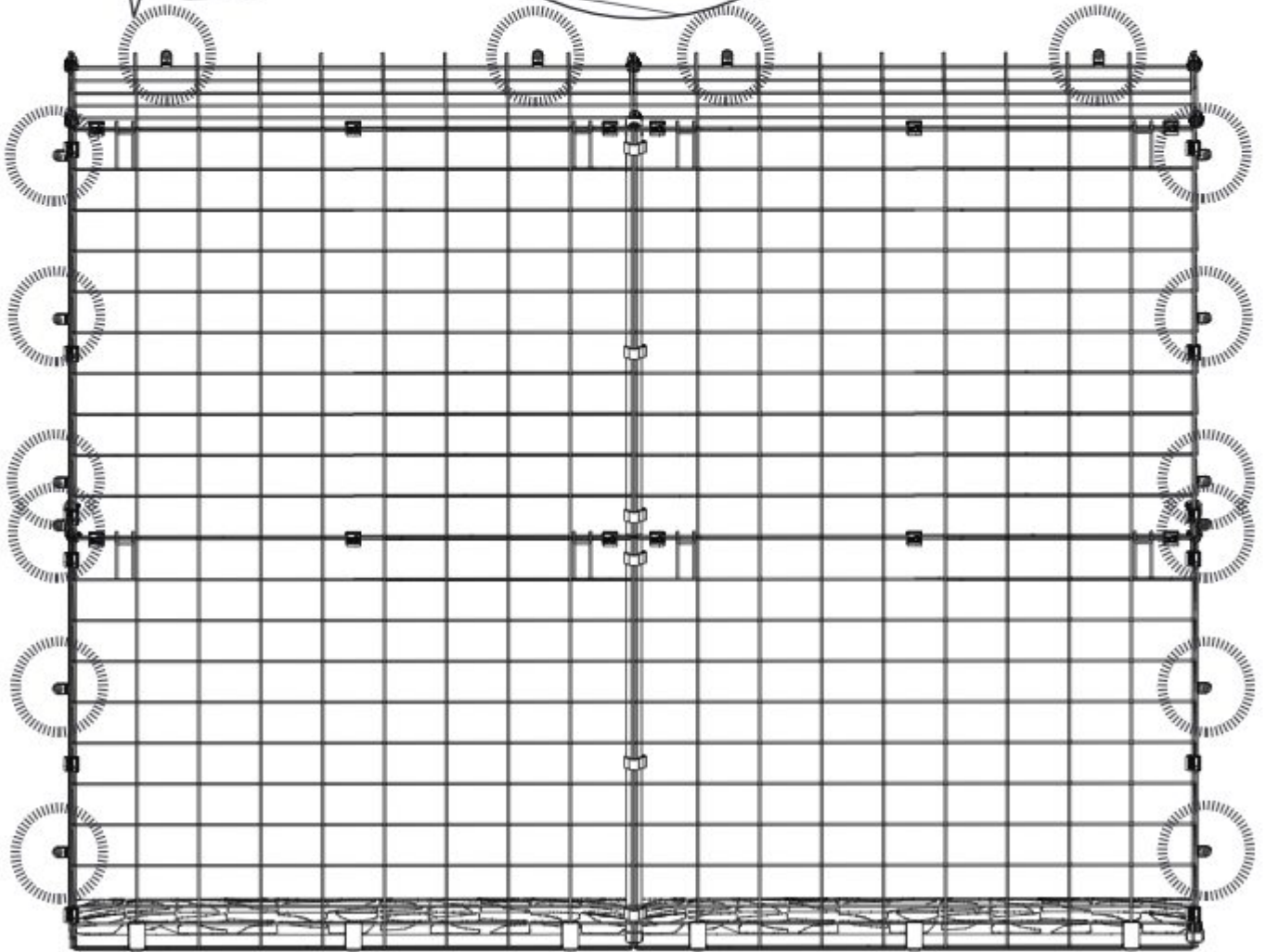
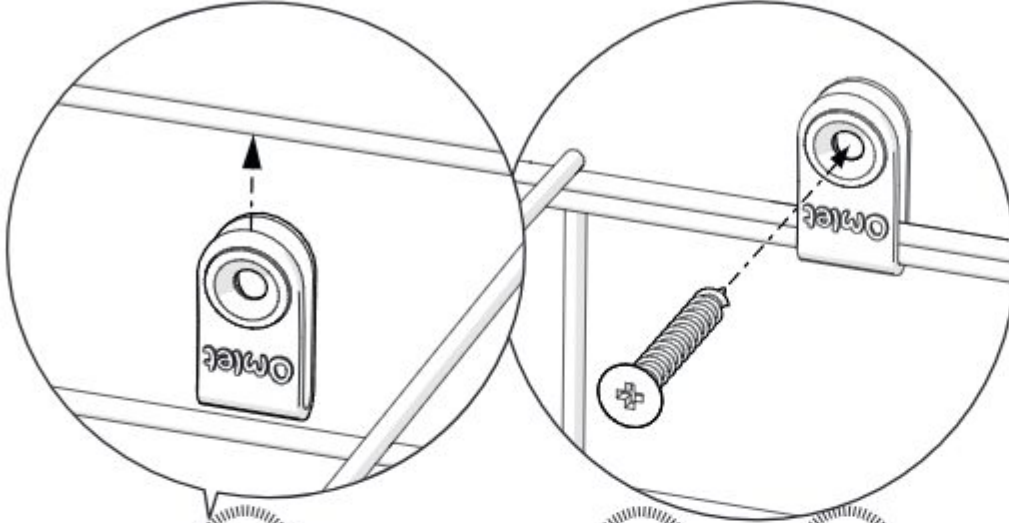


800.0392

Optional



64



WALKWAY

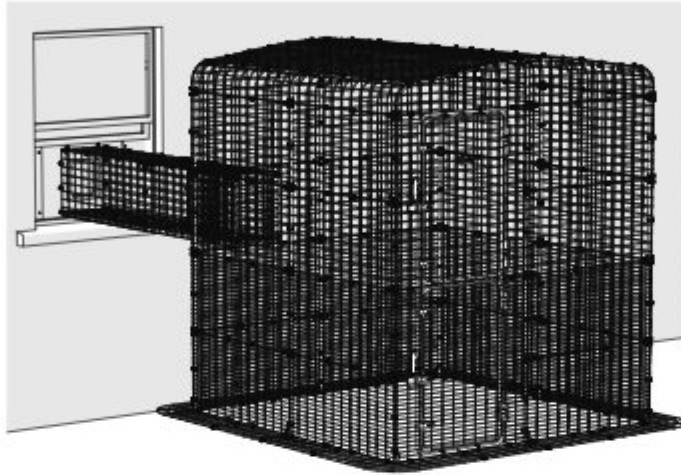


Now that you have your entry point fixed to your home, you will need set up your Walkway.

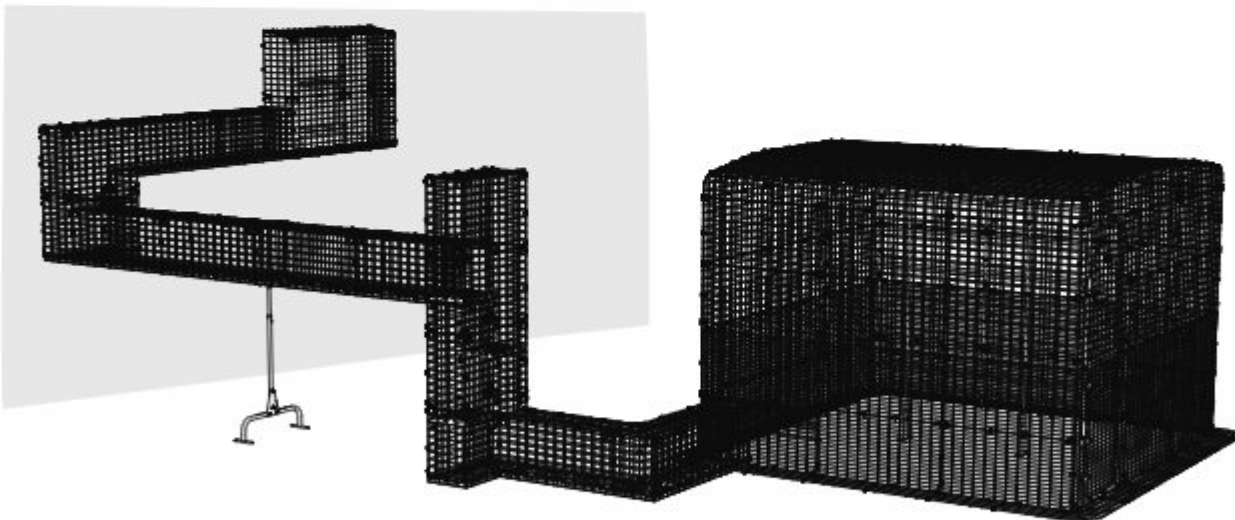


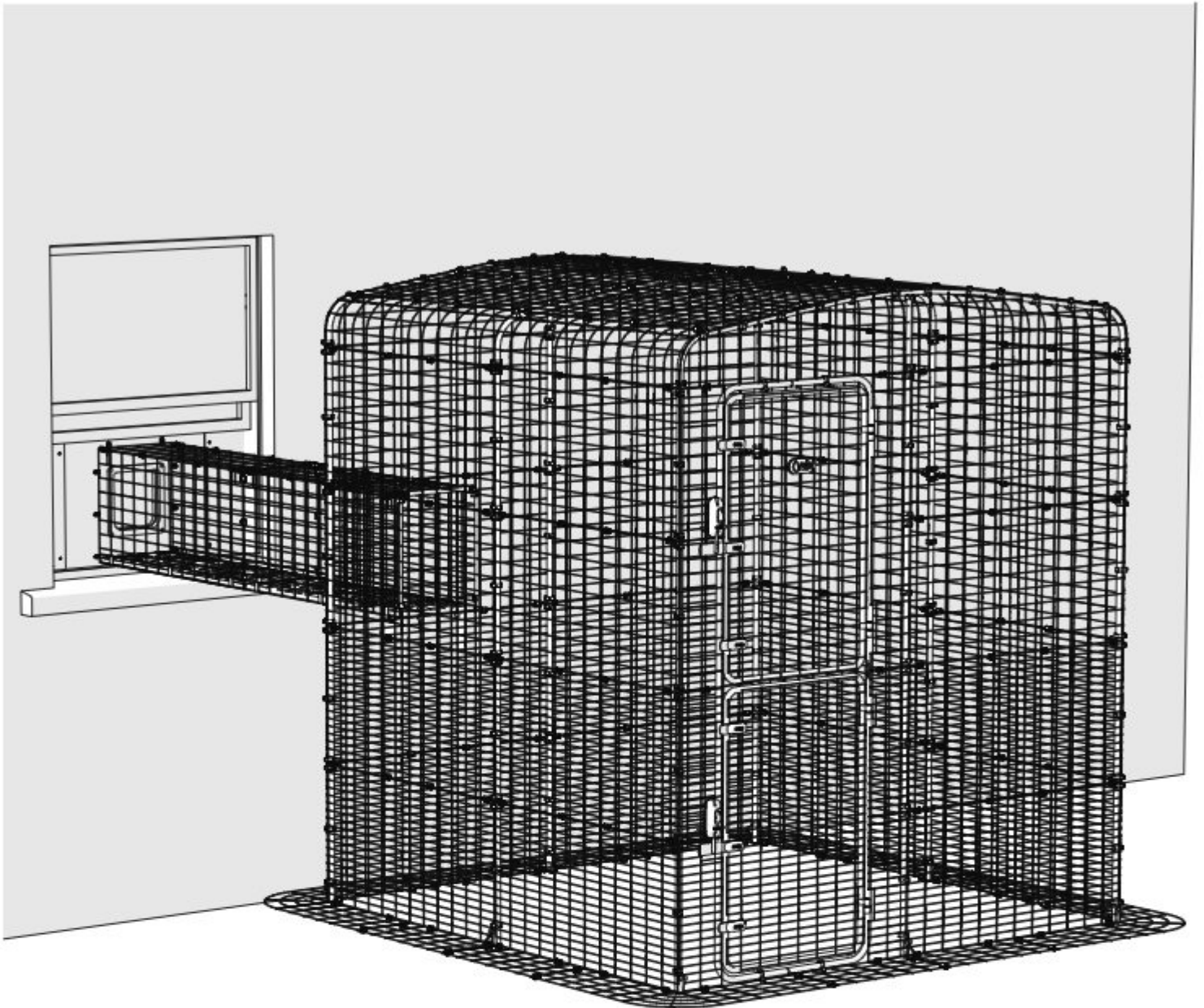
We have provided 2 examples that show you how to create any system, please review both examples to understand the assembly process for your own setup.

Setup example 1



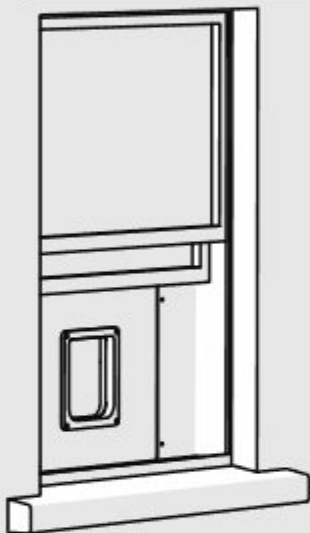
Setup Example 2



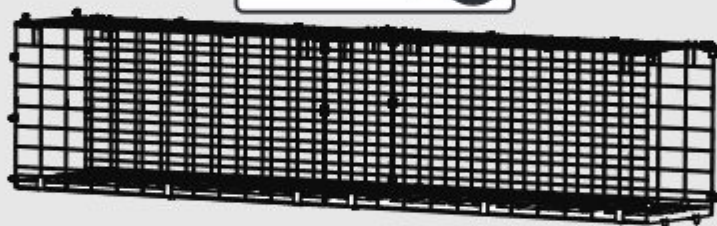


! If you are fixing a Tunnel Walkway straight to a Window Board or an existing cat door please see the following example for guidance.

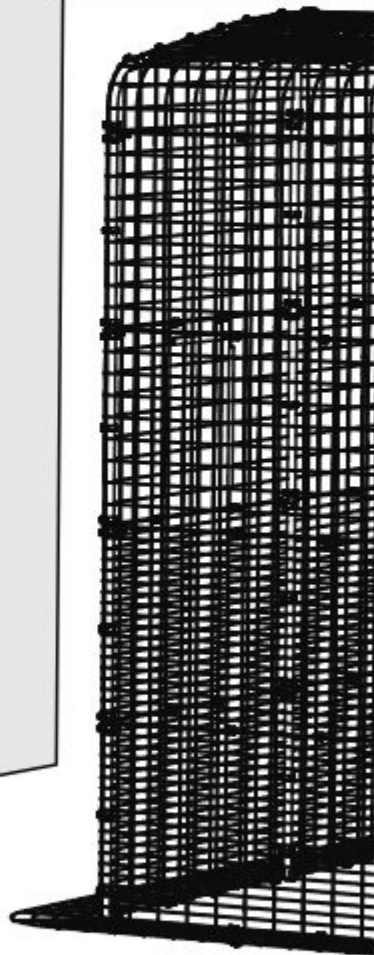
Entry Point 94



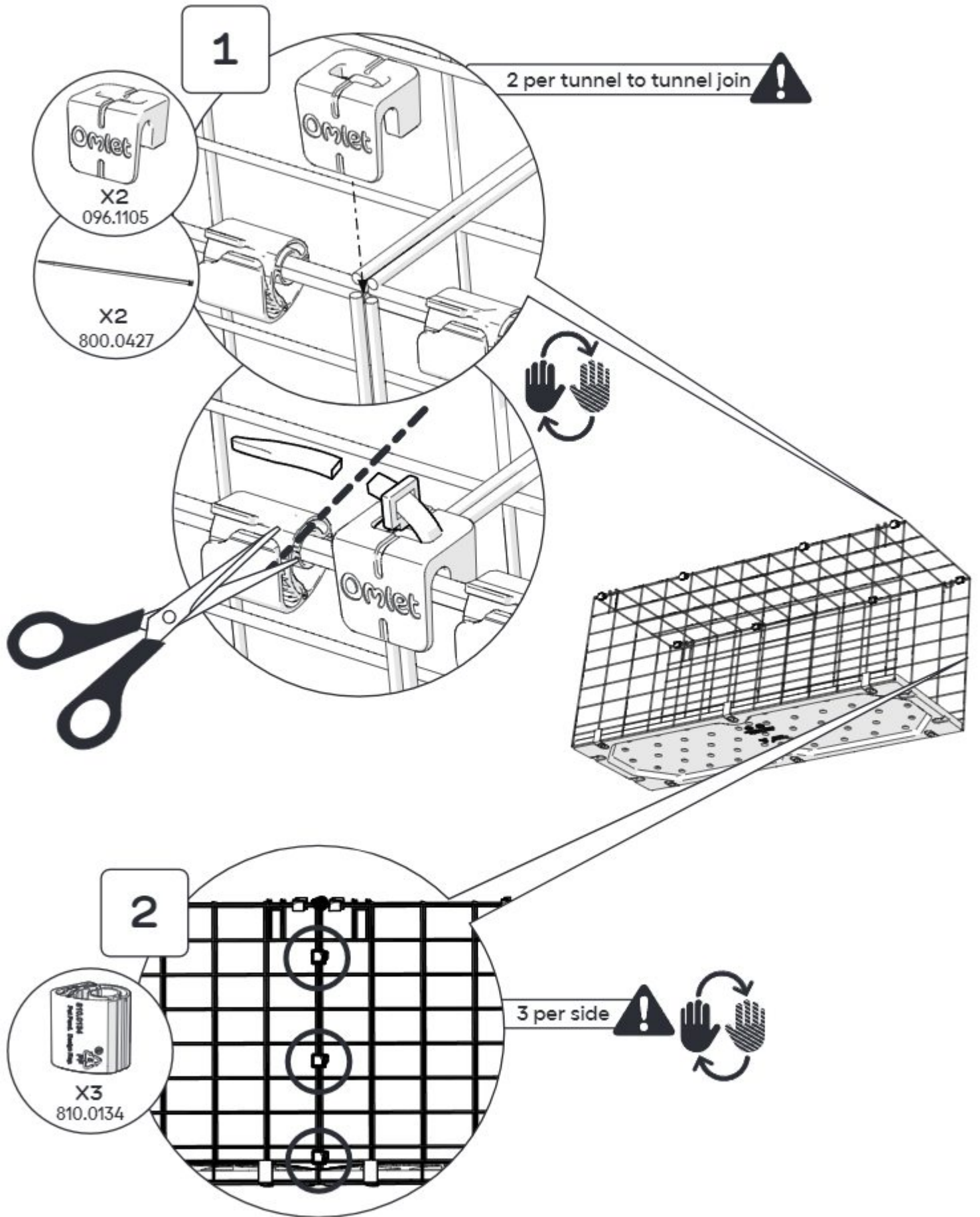
Walkway 92

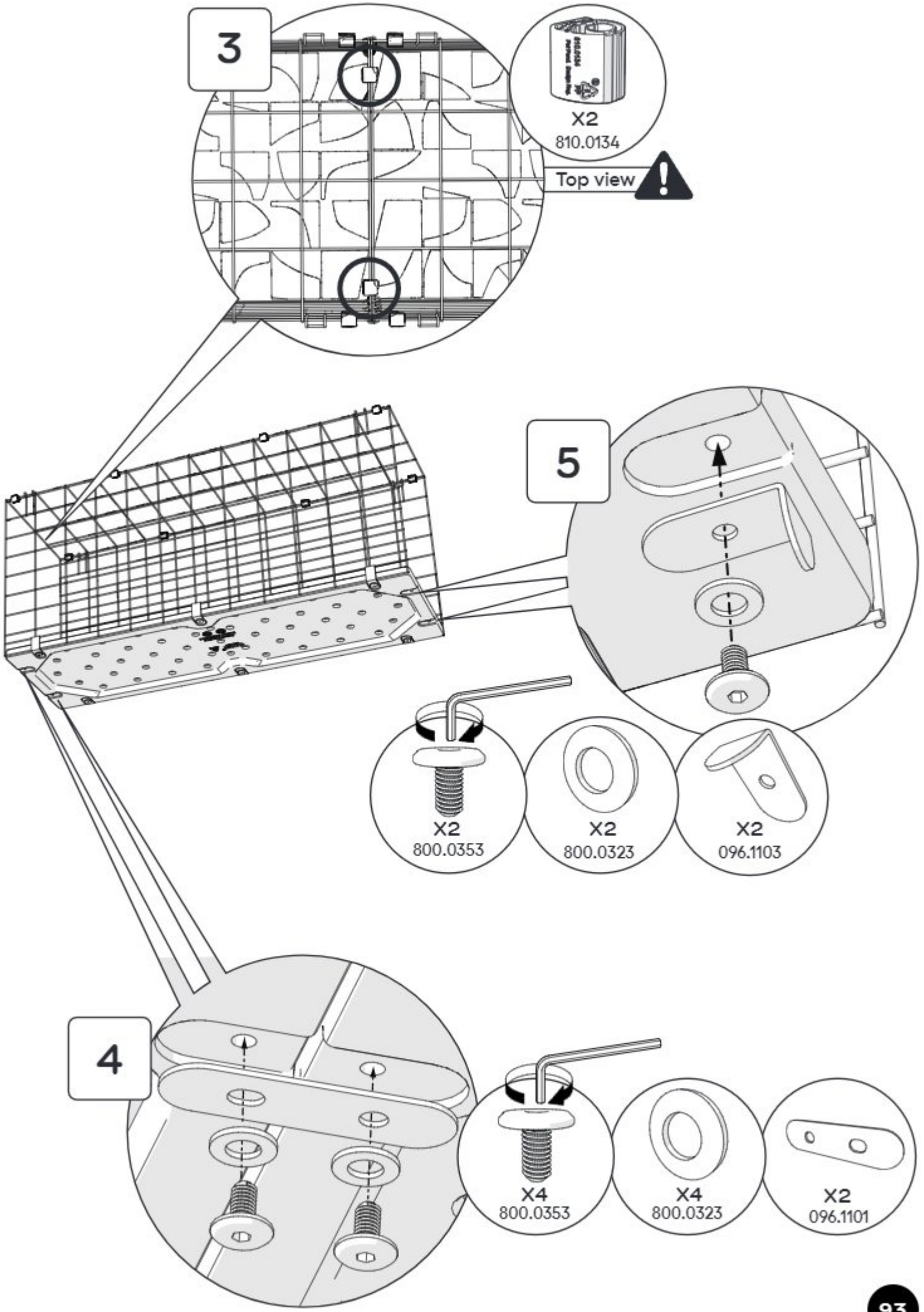


Destination 95



WALKWAY





3

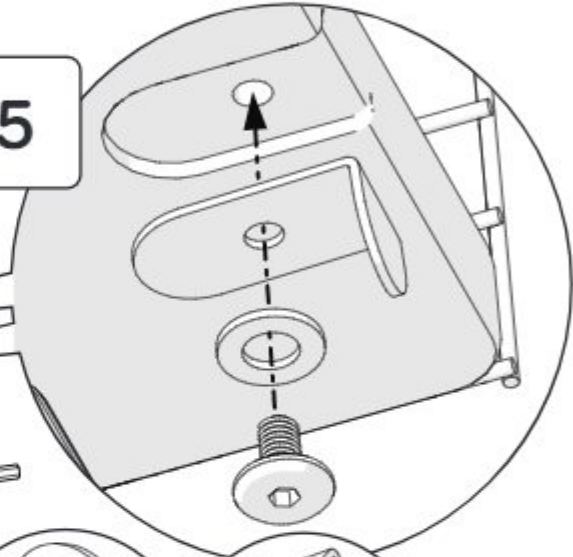


X2
810.0134

Top view



5



X2
800.0353

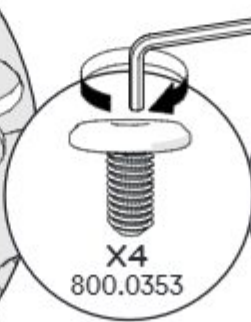
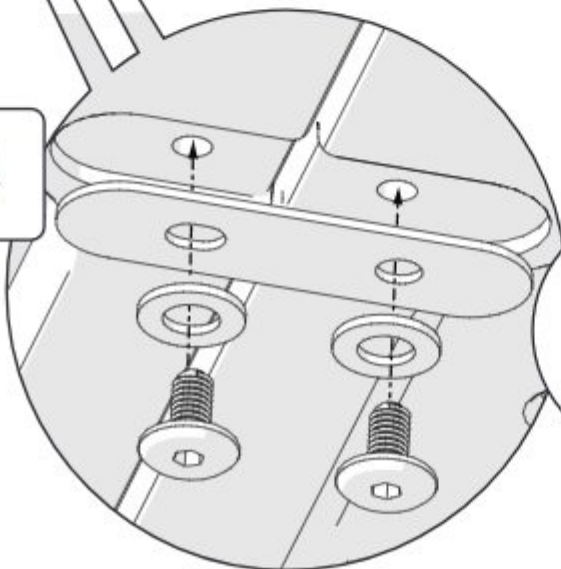


X2
800.0323

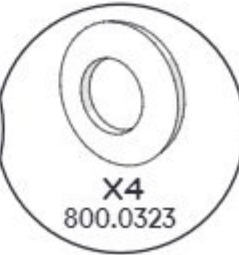


X2
096.1103

4



X4
800.0353



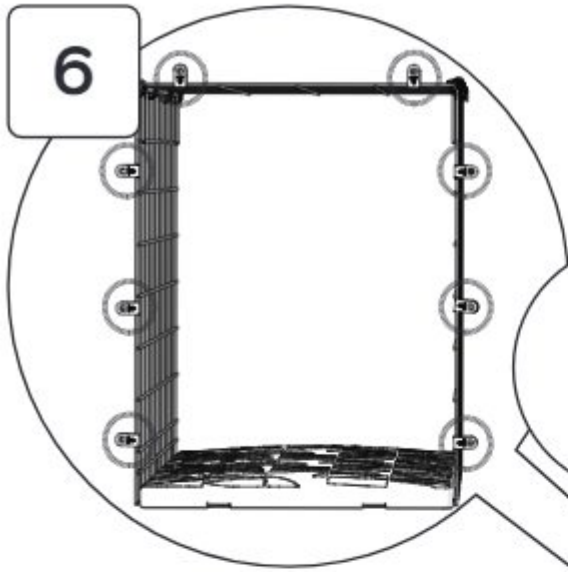
X4
800.0323



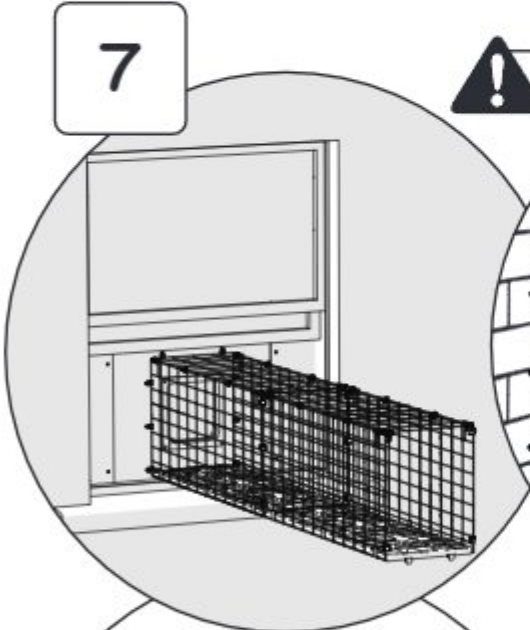
X2
096.1101

ENTRY POINT

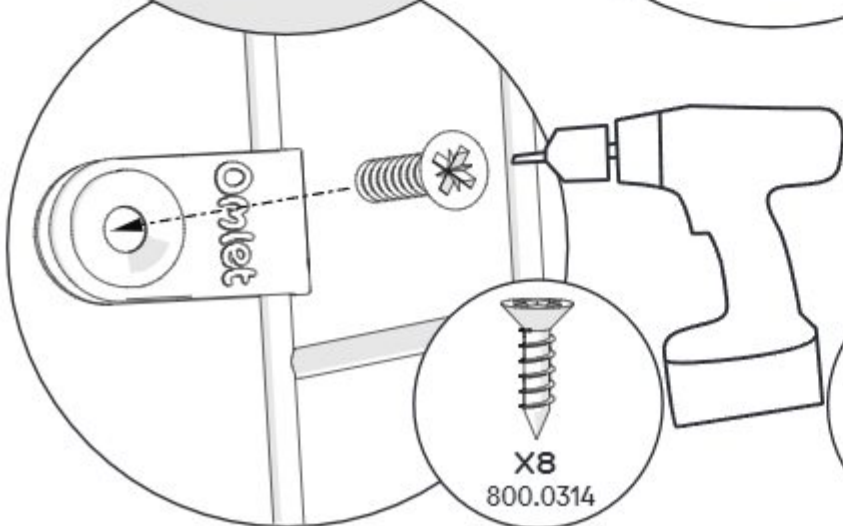
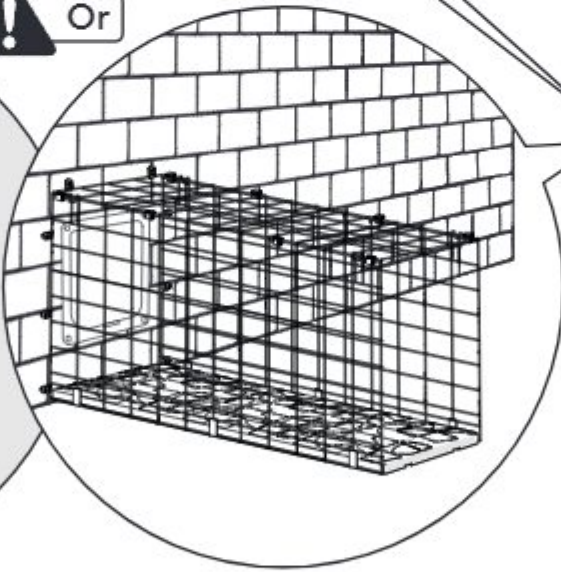
6



7



! Or

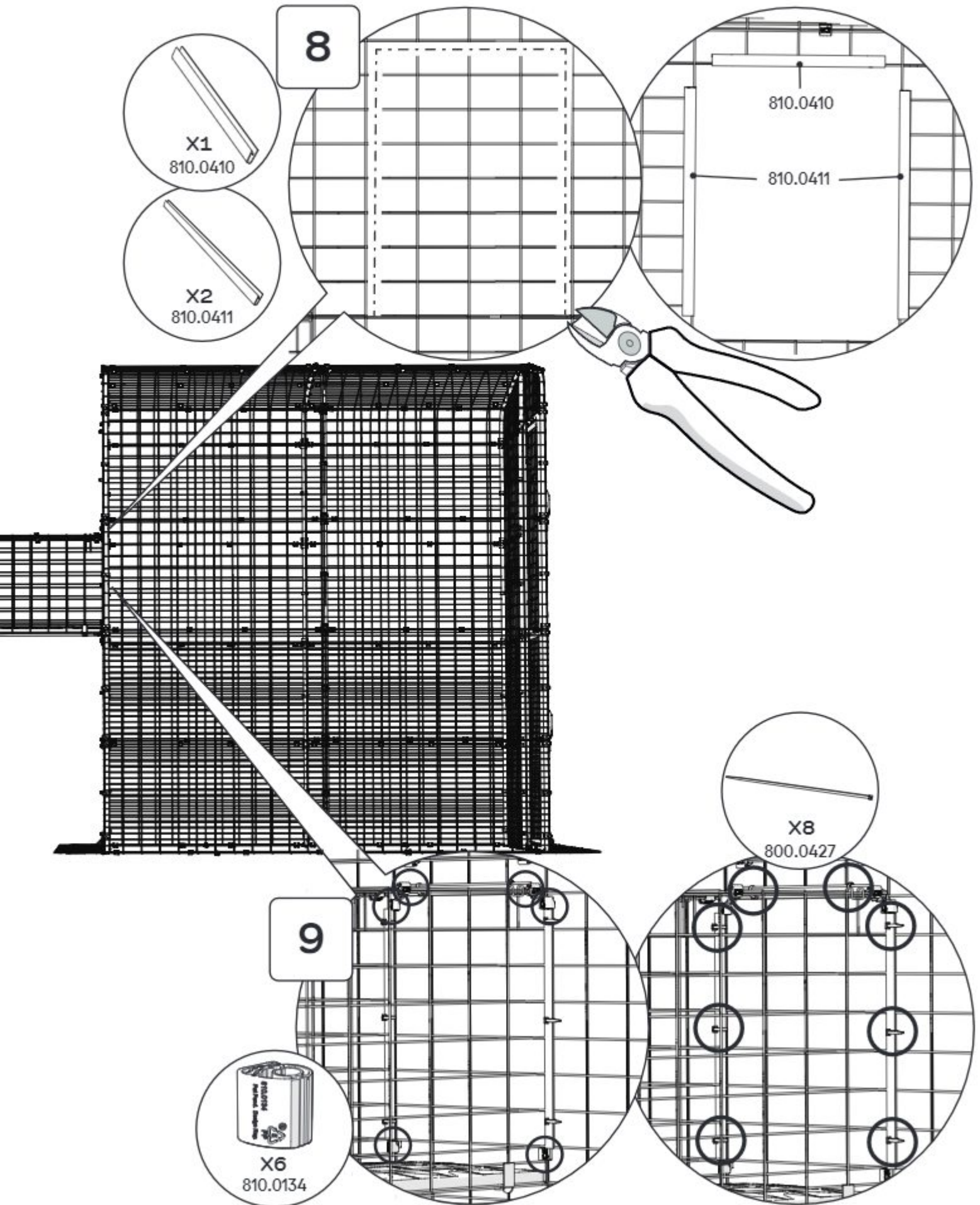


Optional



64

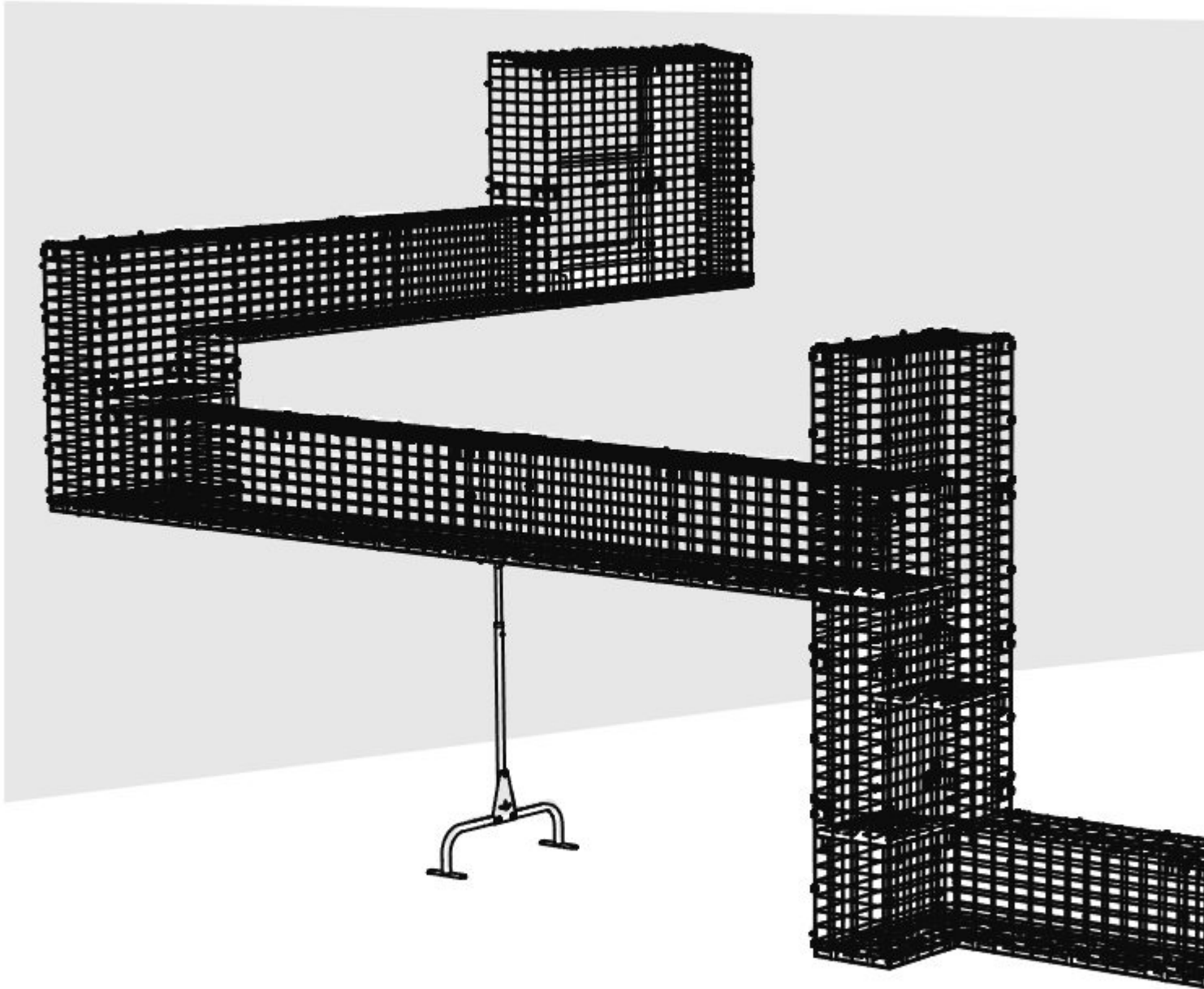
DESTINATION

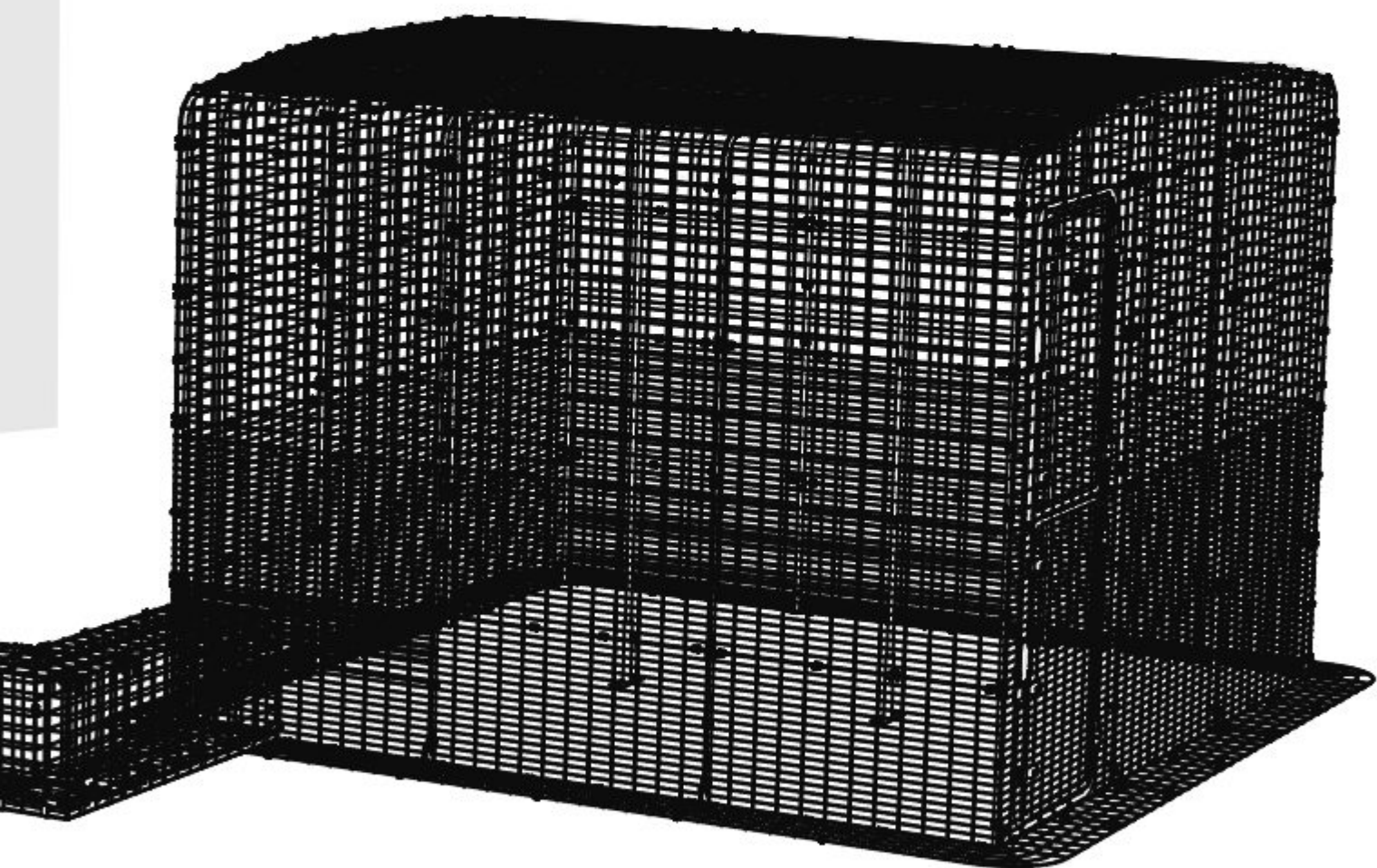


Setup Example 2



Don't worry if your set-up doesn't match this example. This section will teach you how to connect each module in the three possible configurations: Wall mounted, freestanding and floor running.

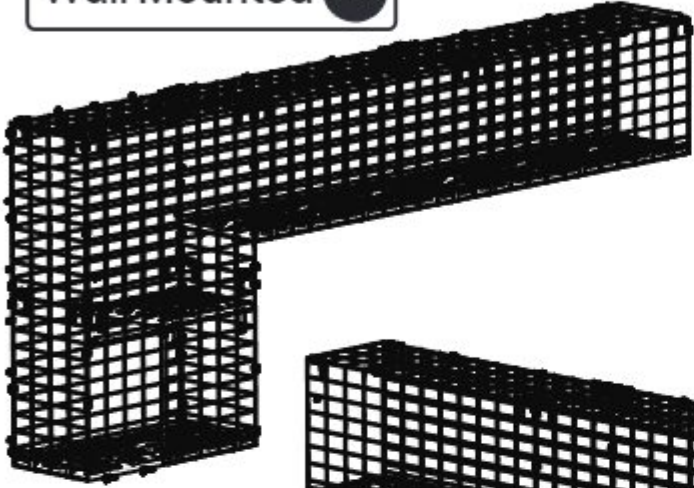




Entry Point 65



Wall Mounted 100



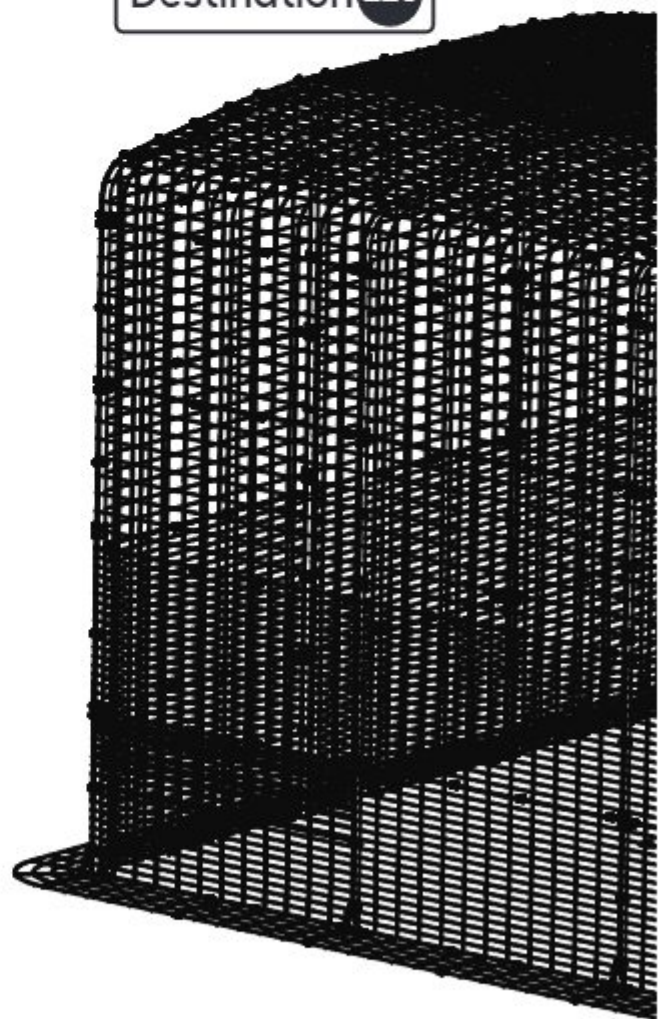
Freestanding 118



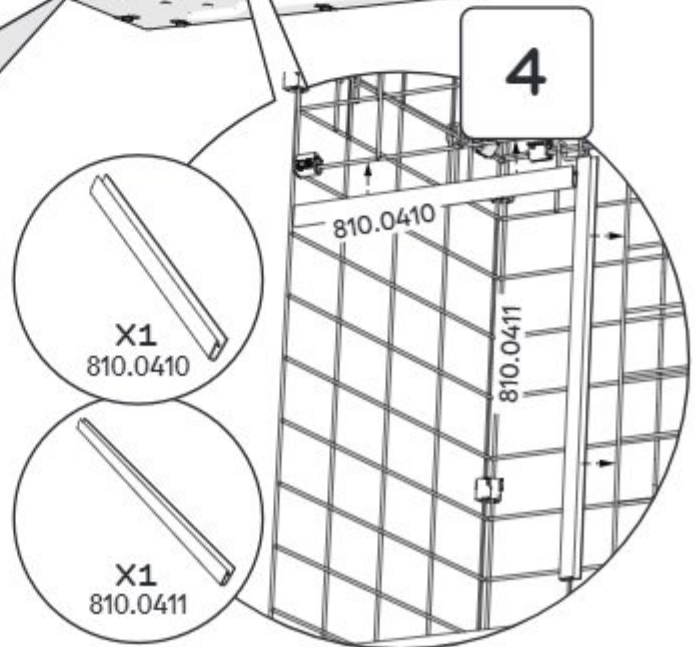
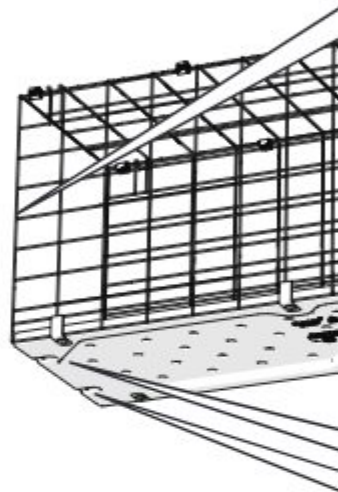
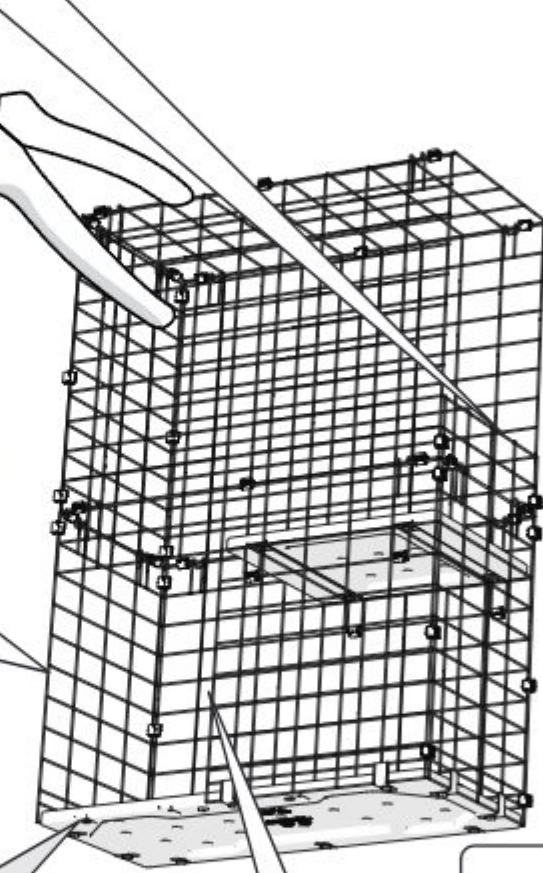
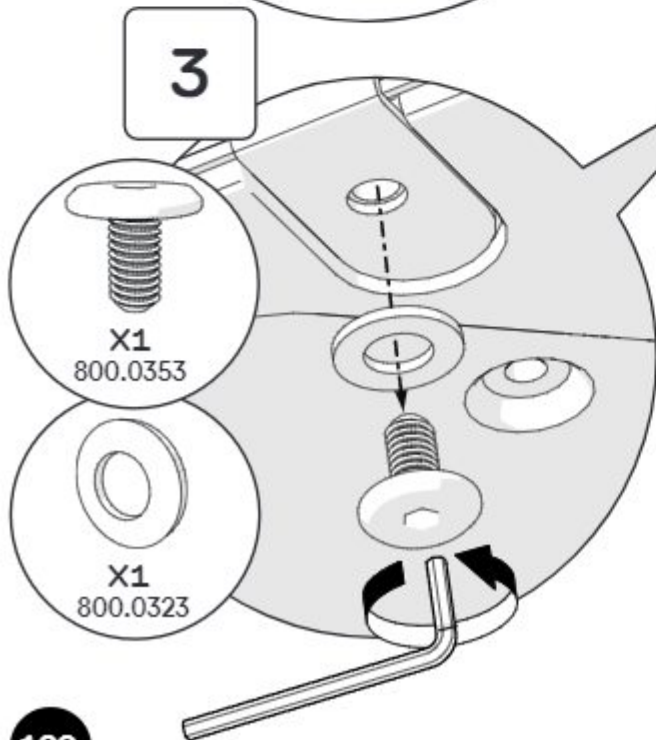
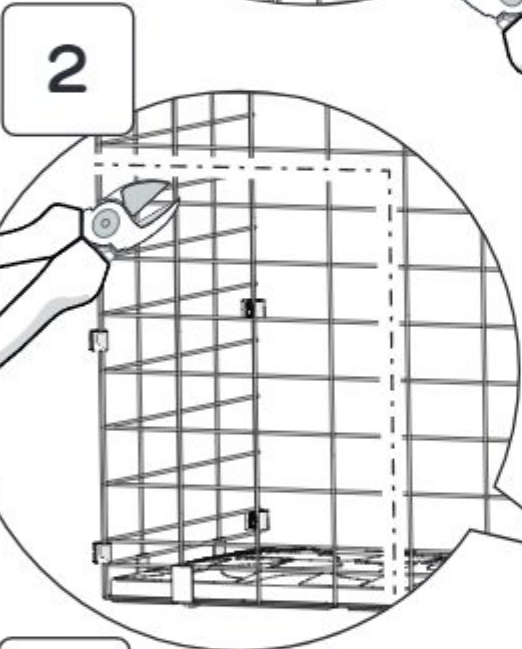
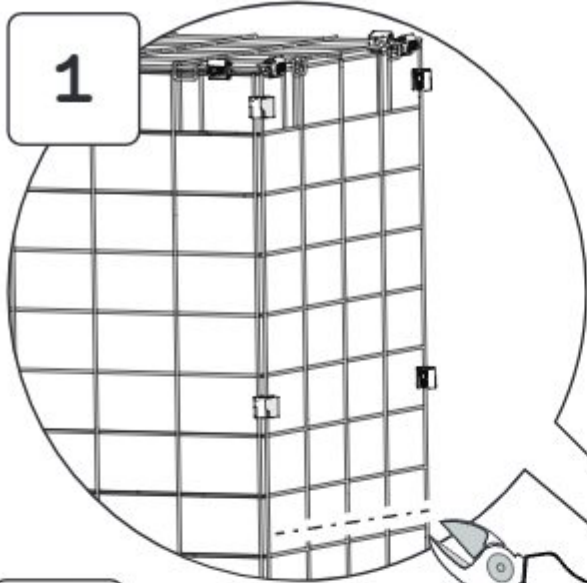


Floor Running 114

Destination 126



WALL MOUNTED

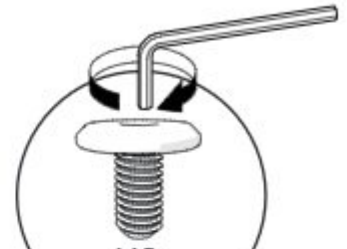


6

3 per side



X3
810.0134



X2
800.0353

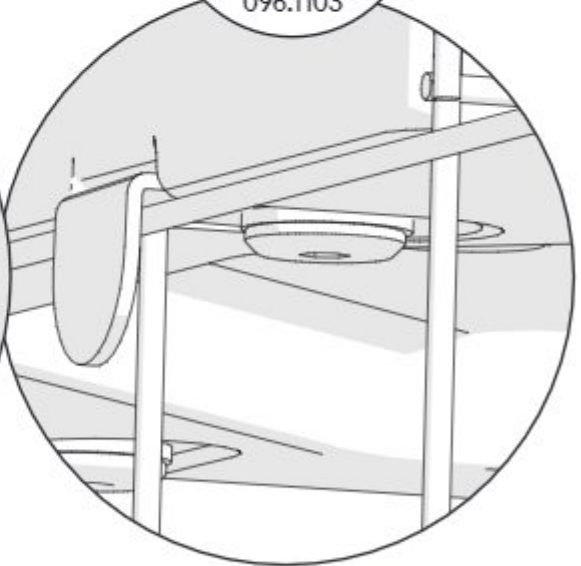
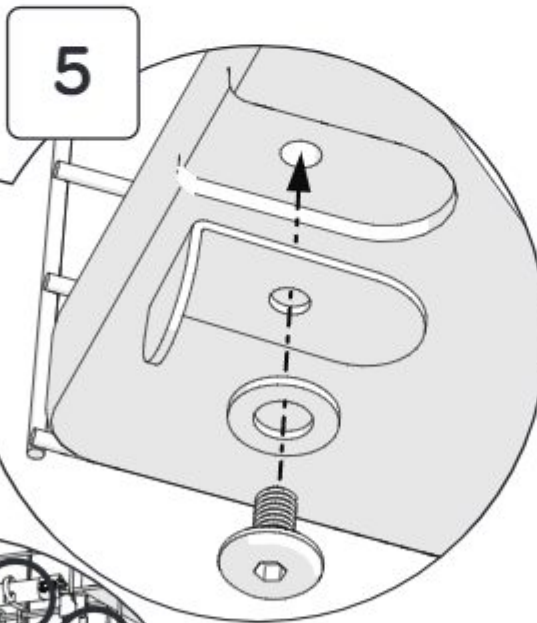


X2
800.0323

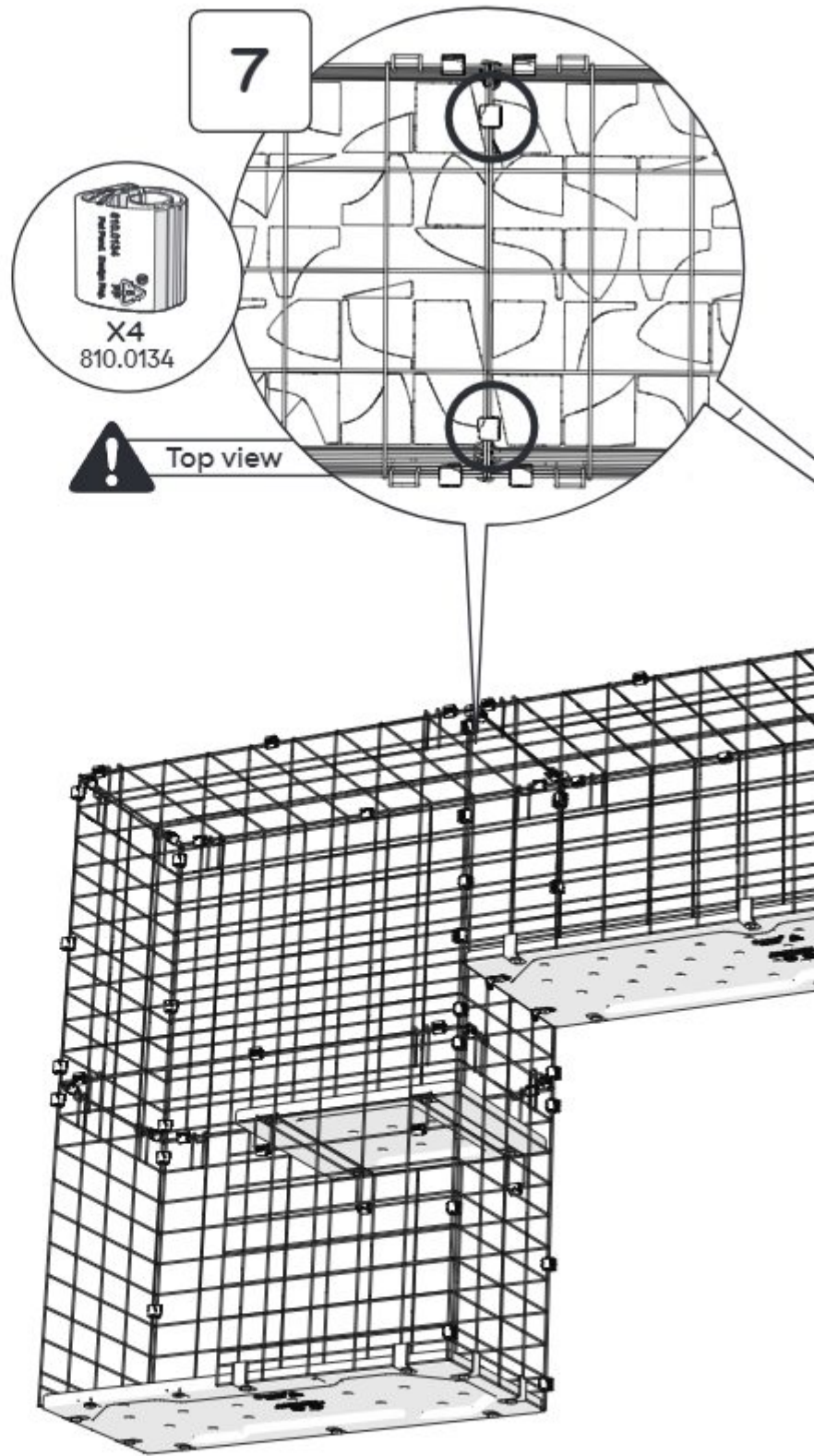


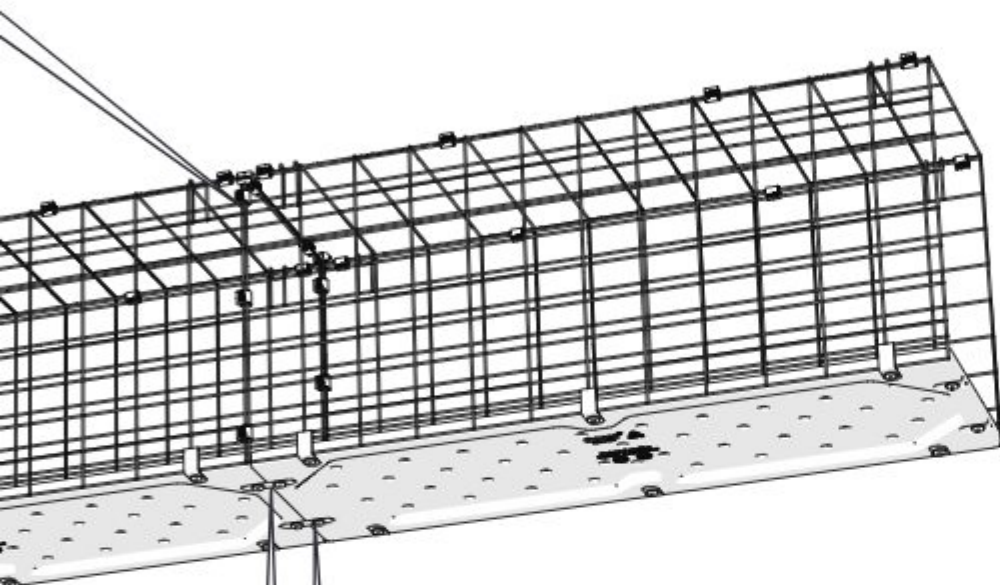
X2
096.1103

5

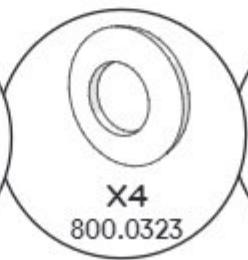
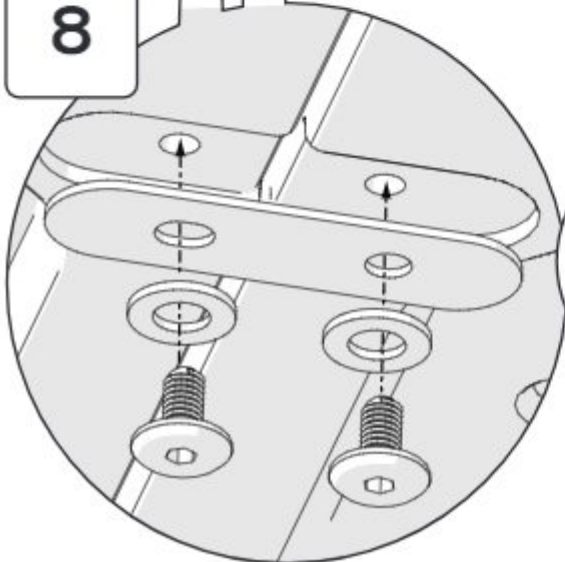


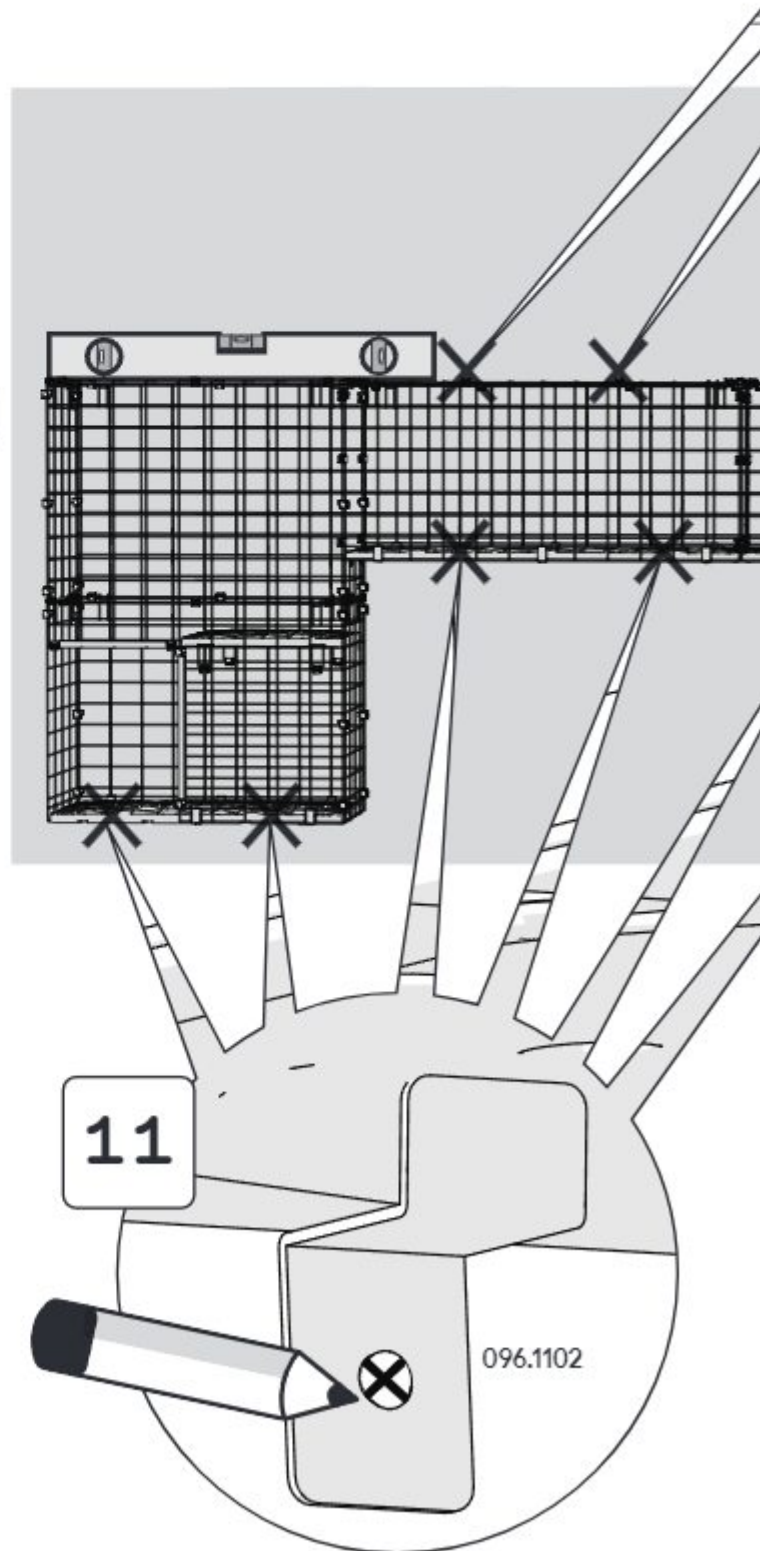
X5
800.0427

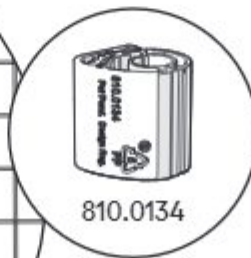
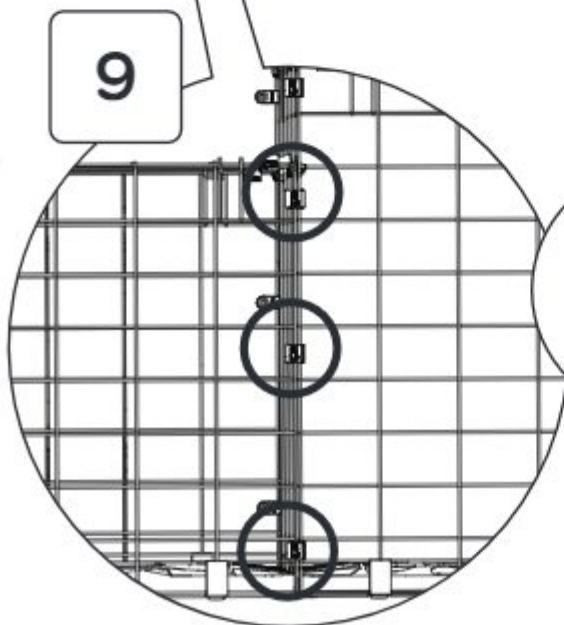
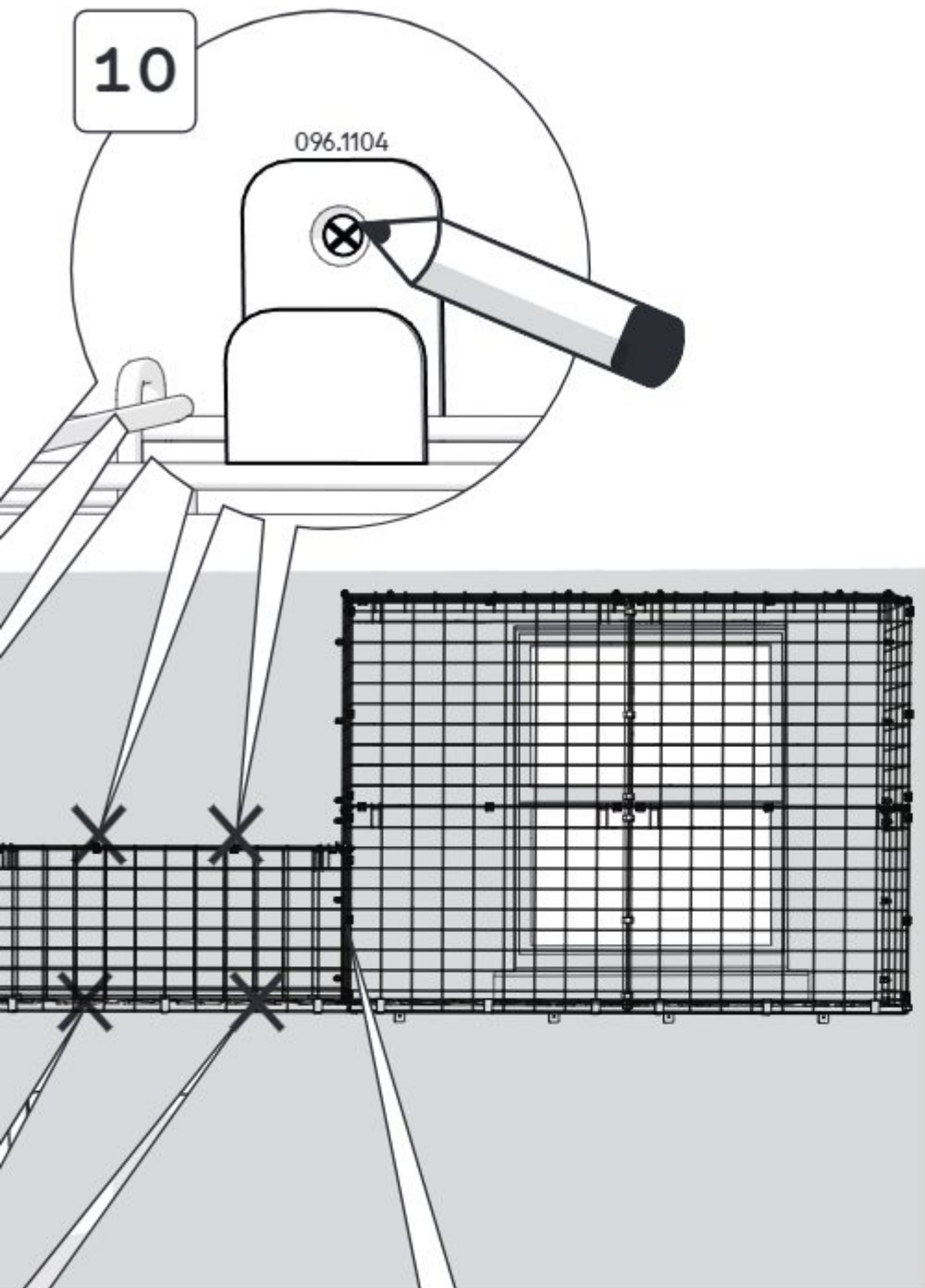




8



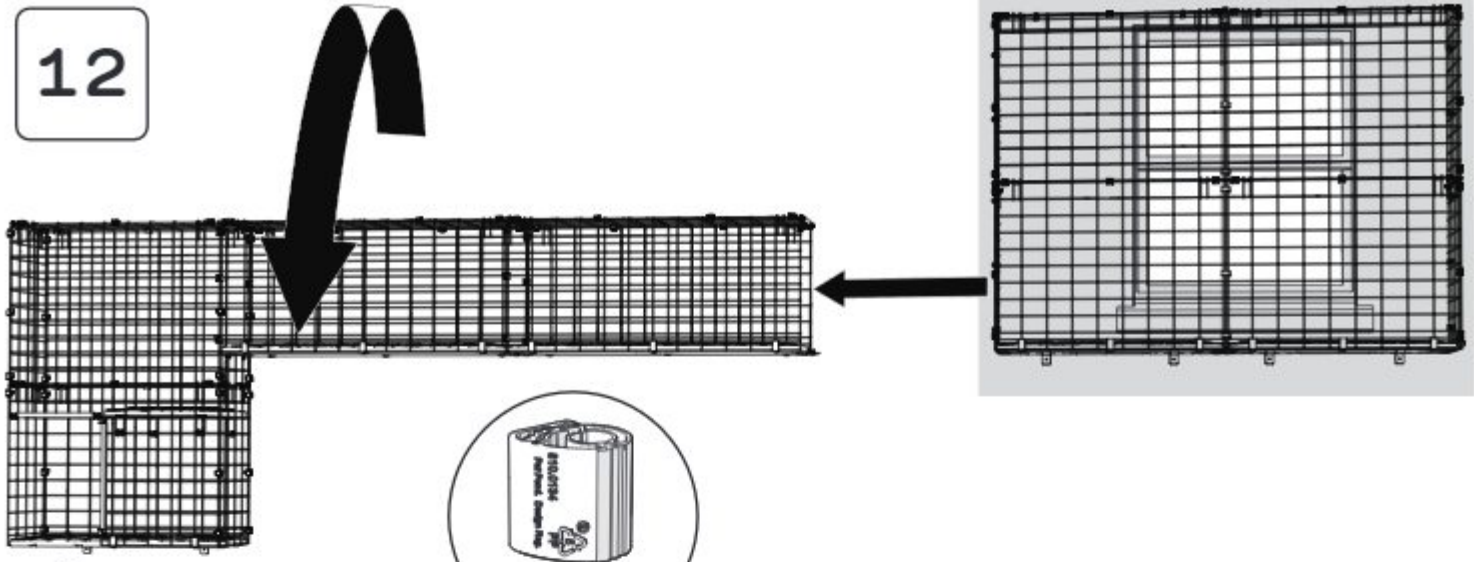




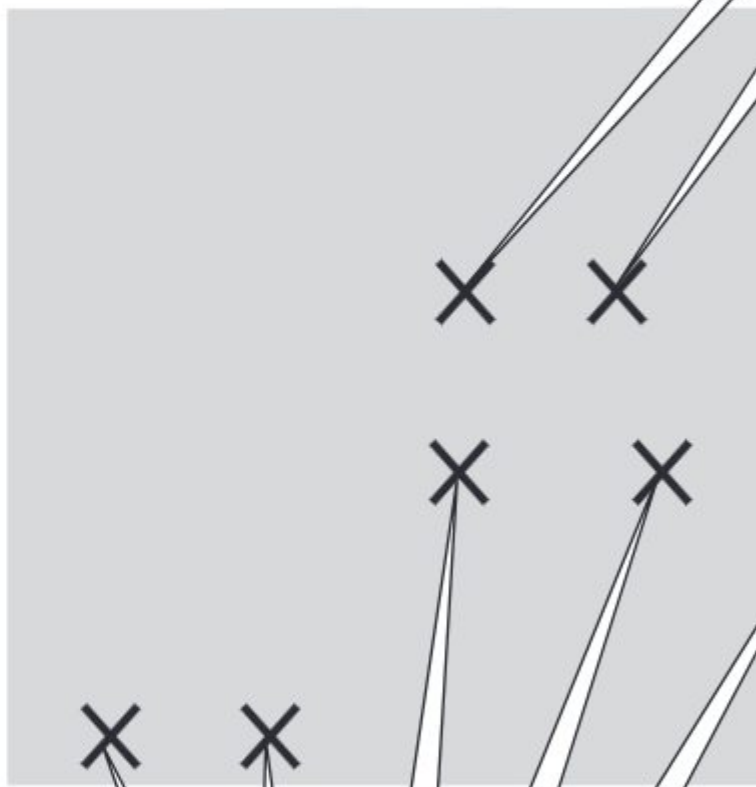
Temporary



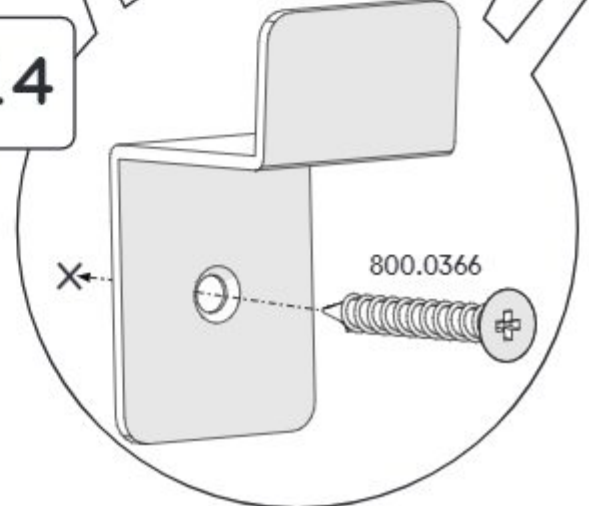
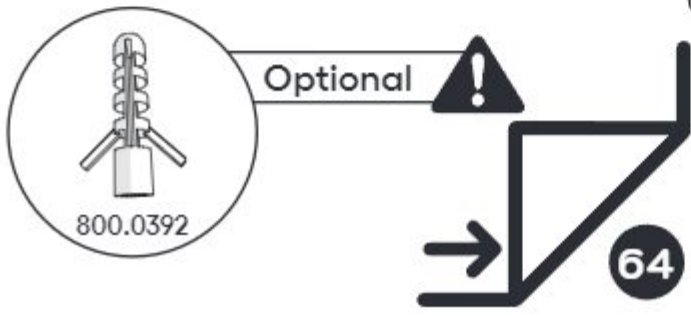
12



! Remove temporary clips. 810.0134



14

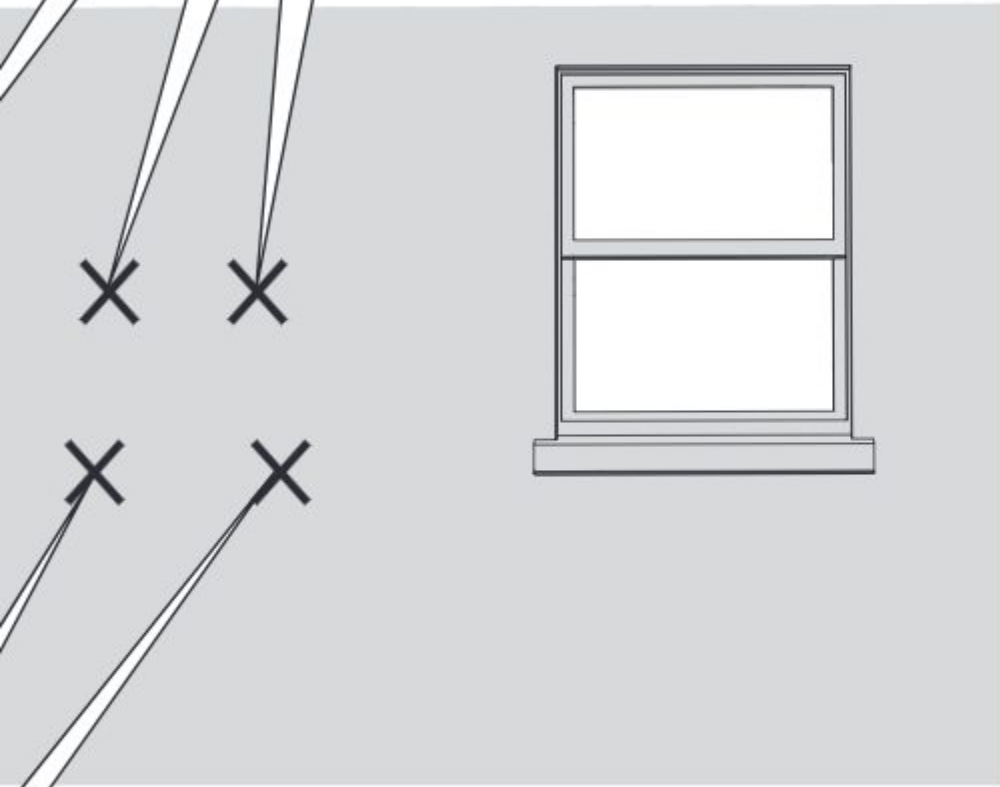
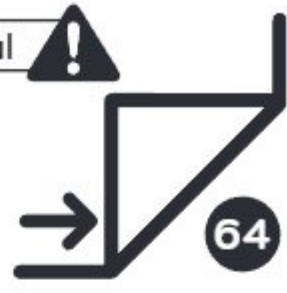


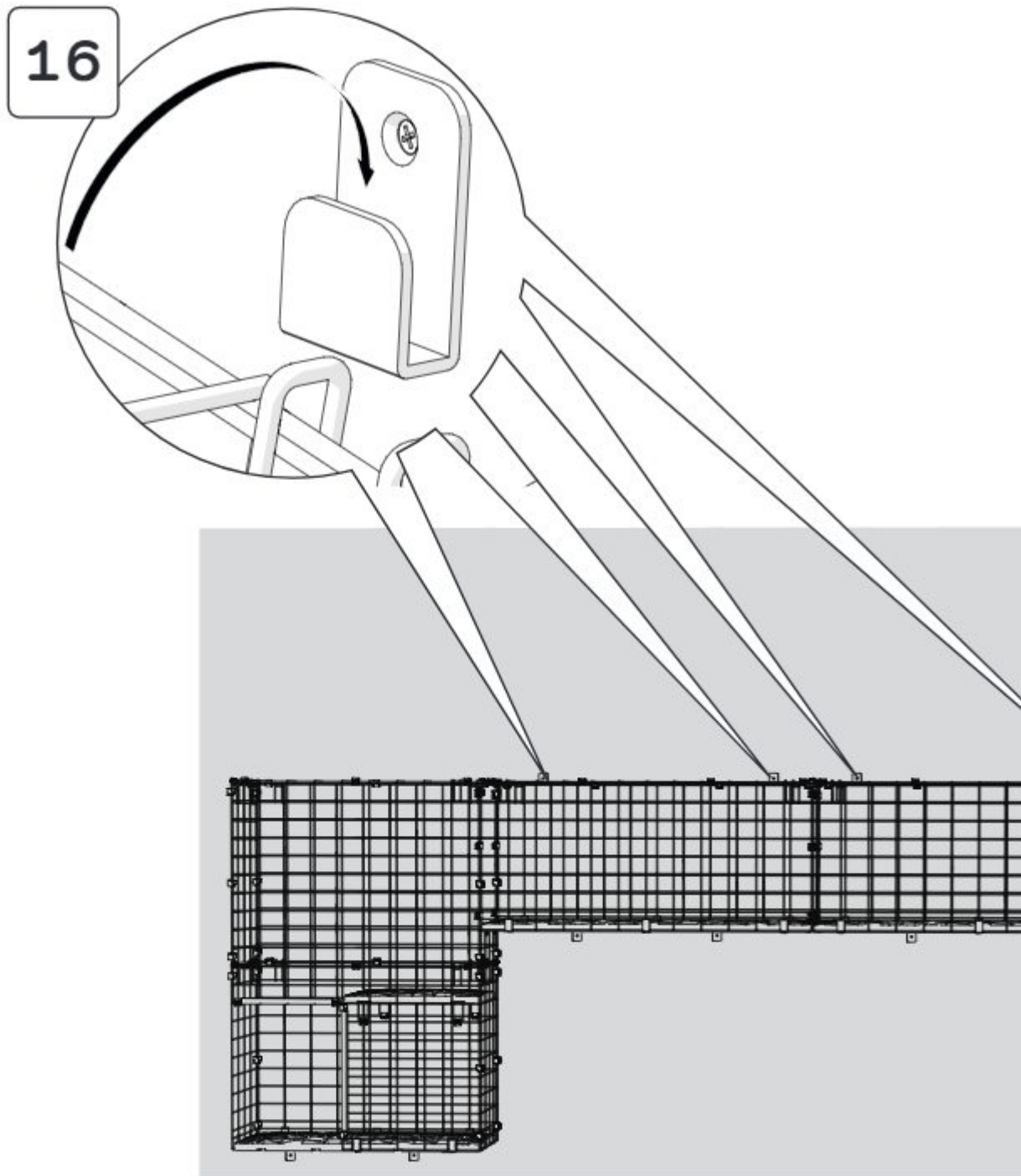
13

800.0366

800.0392

Optional



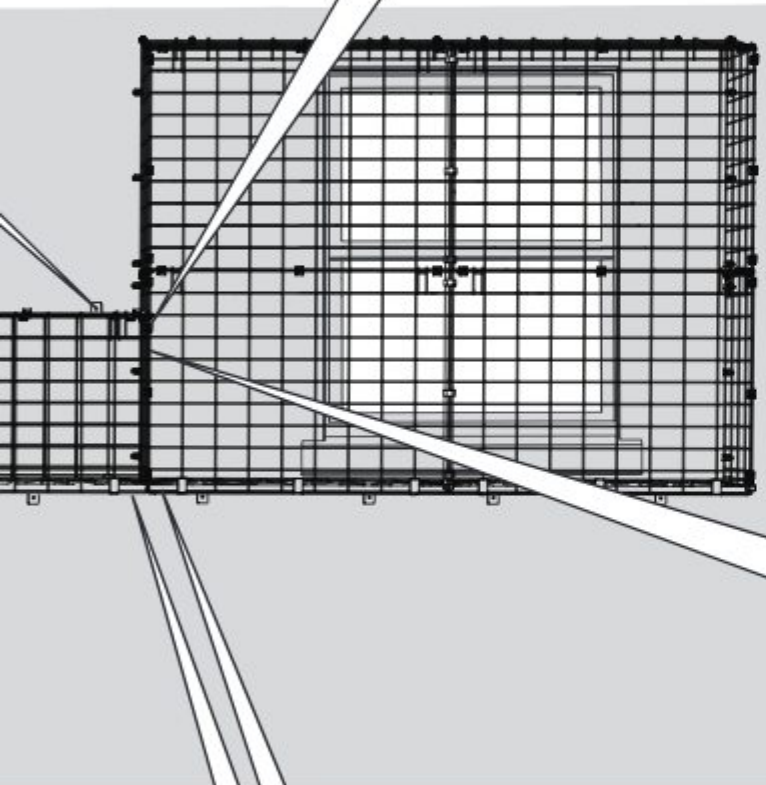


15

810.0410

X1
810.0410

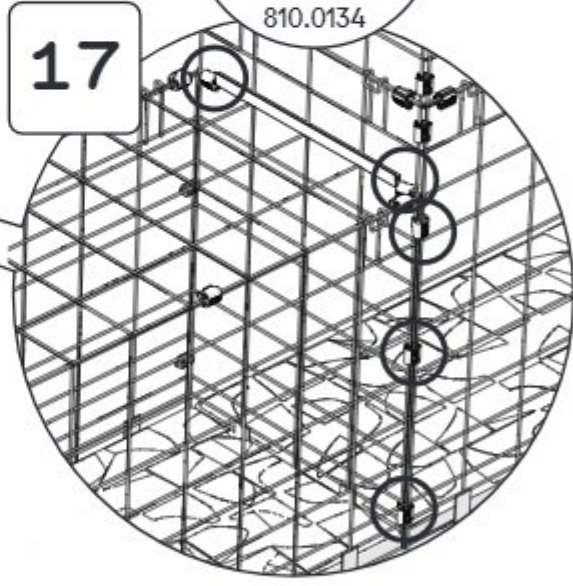
X2
800.0427



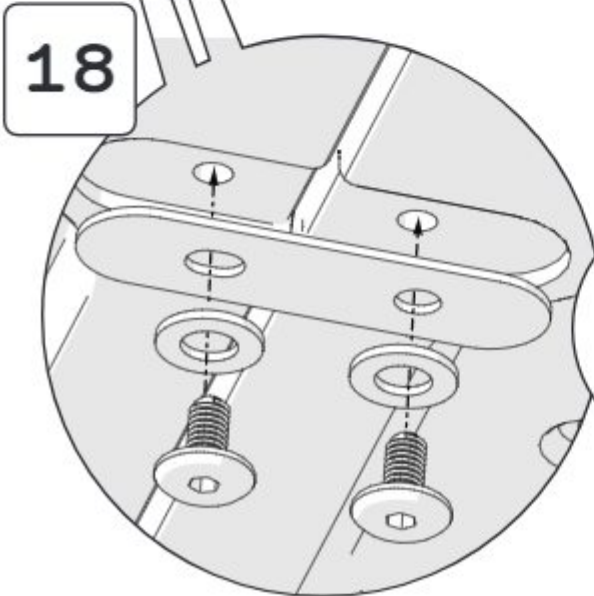
17



X5
810.0134



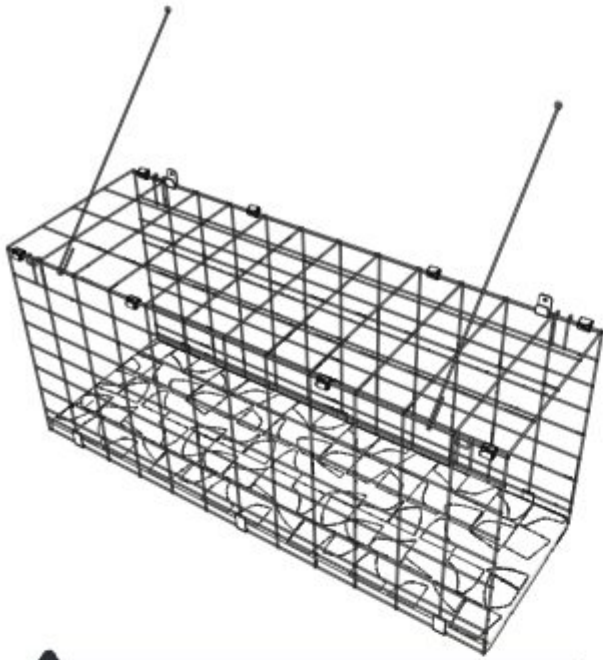
18



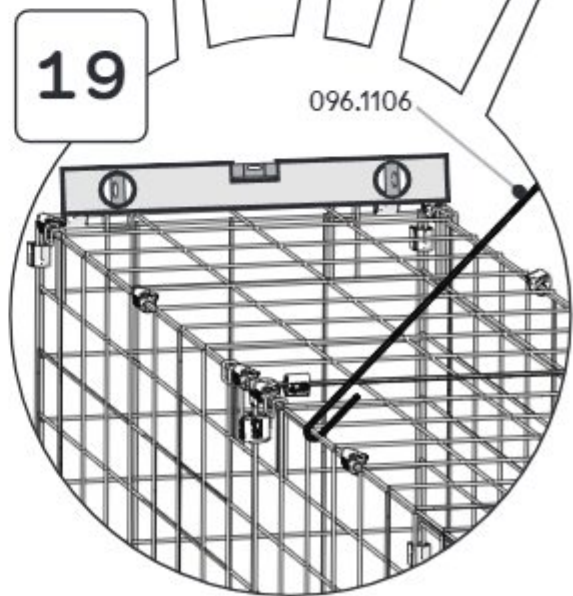
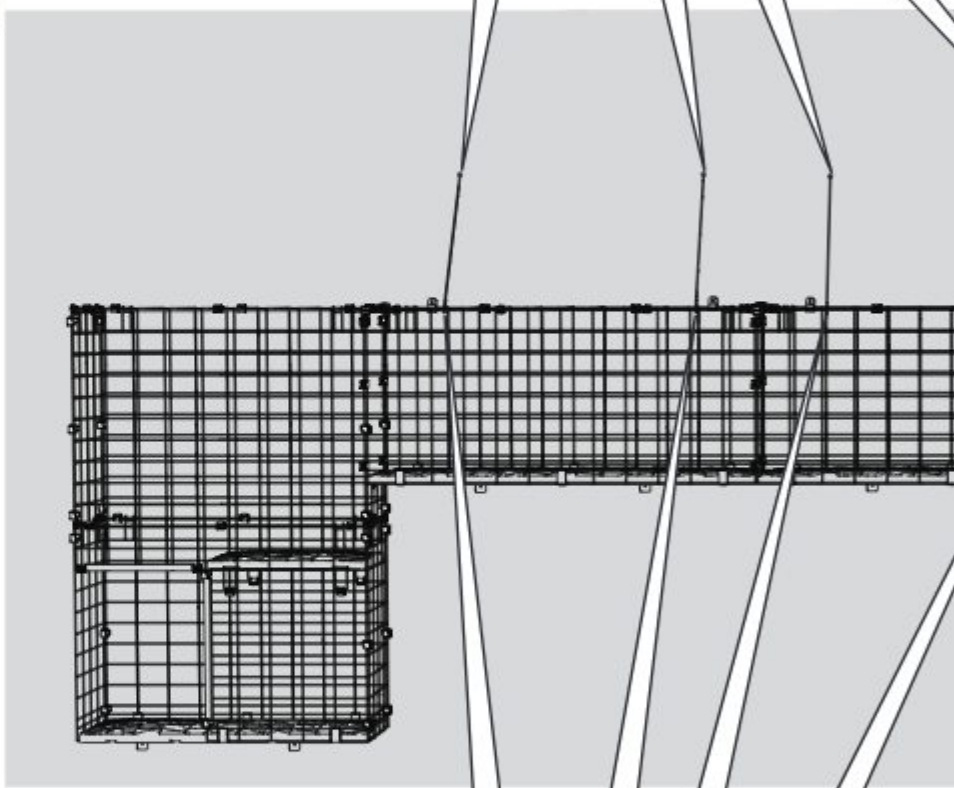
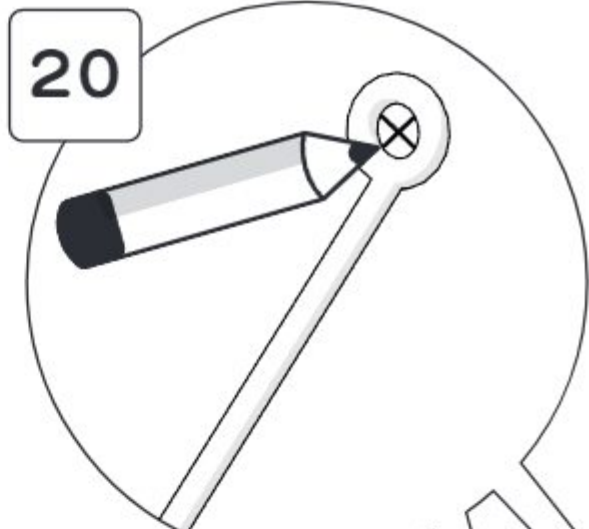
X4
800.0353

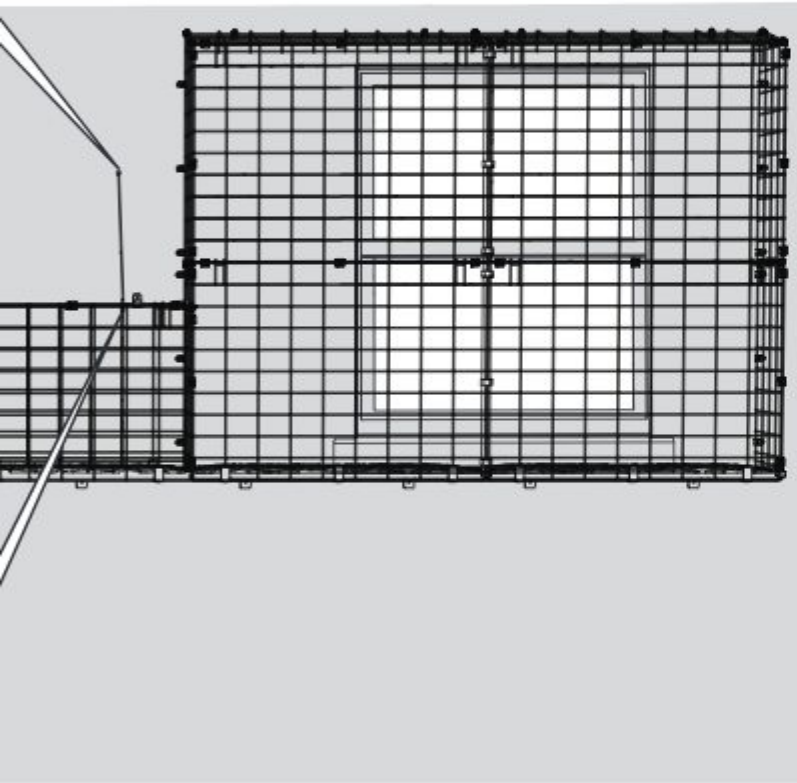
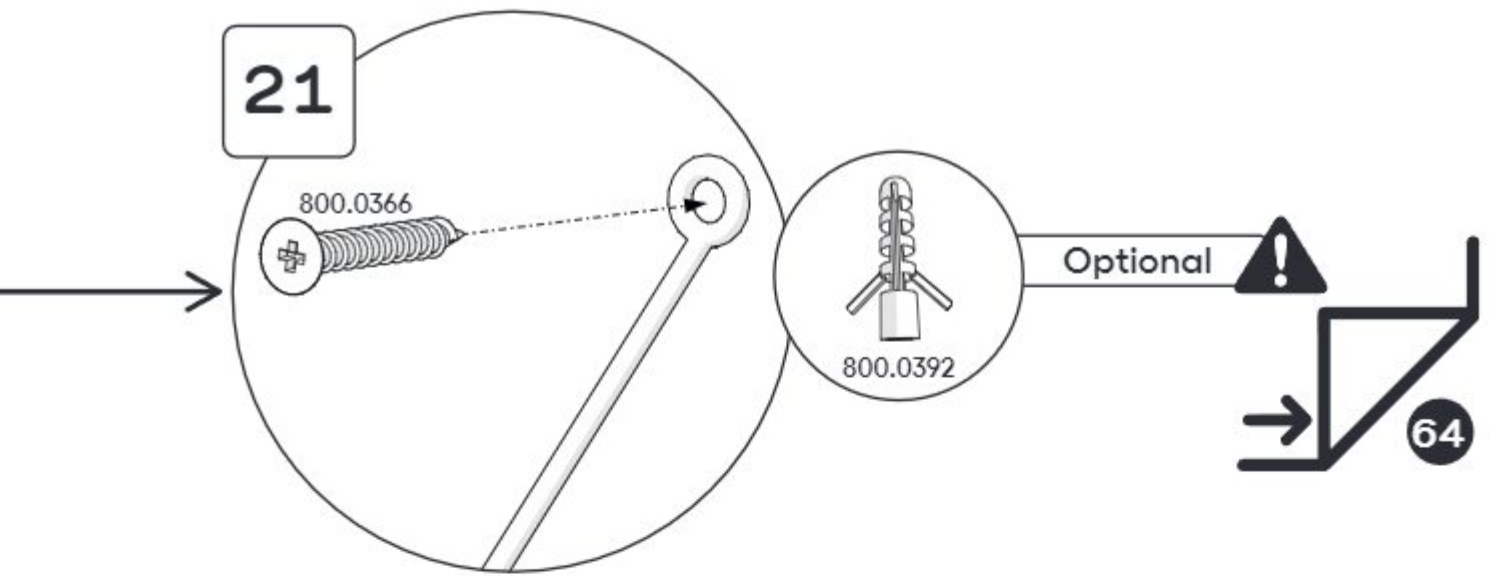
X4
800.0323

X2
096.1101



 2 Tension wires per Tunnel.

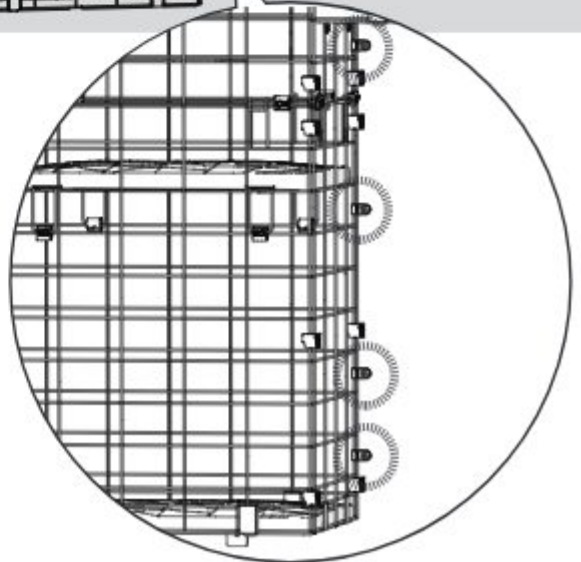
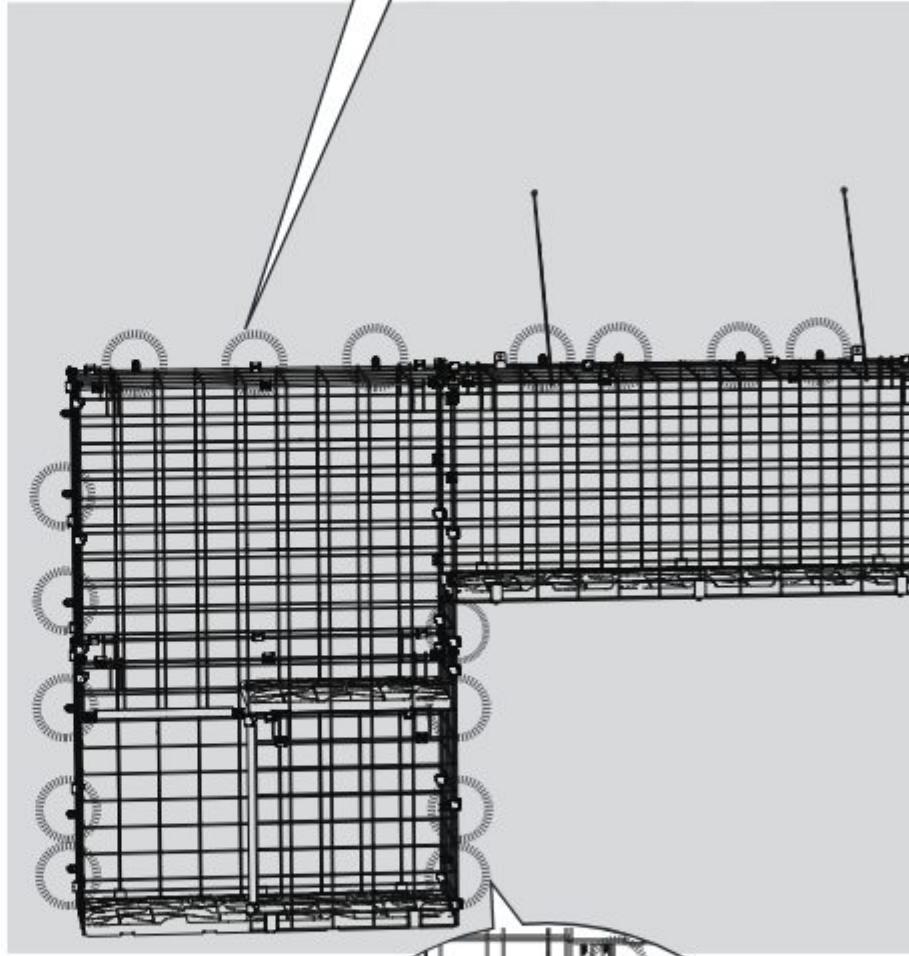
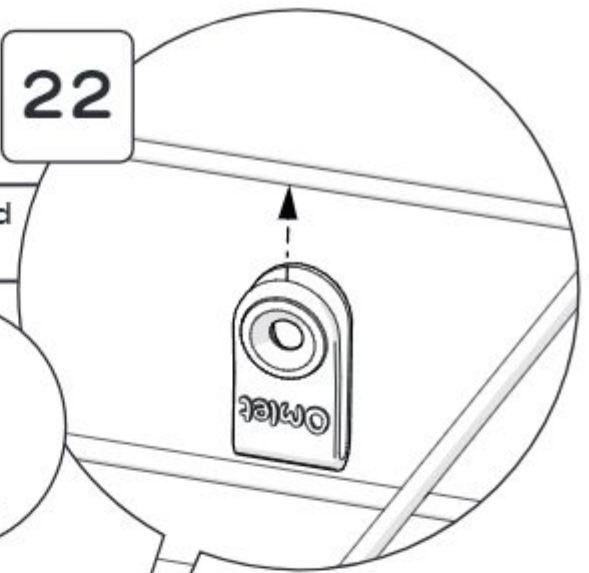


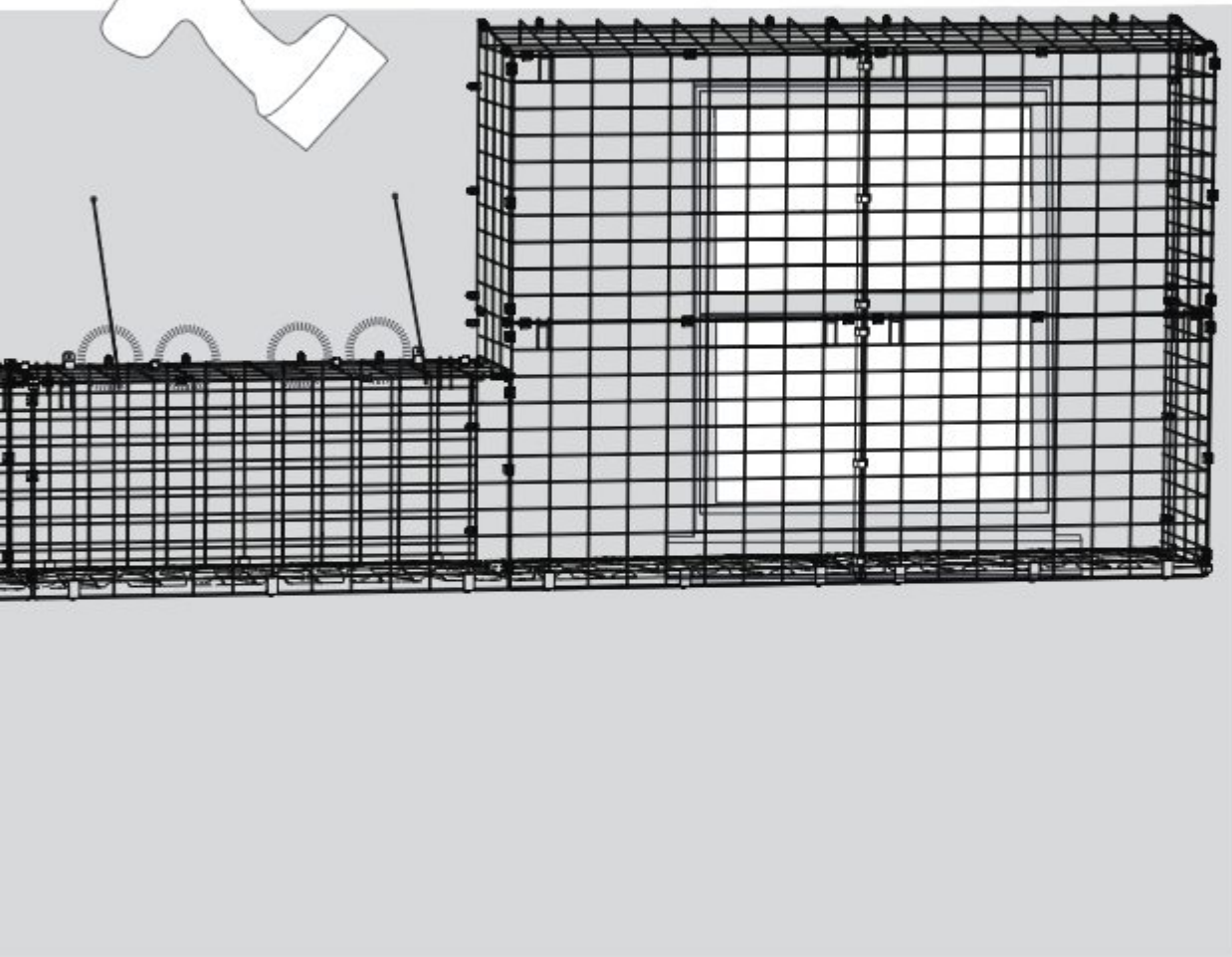
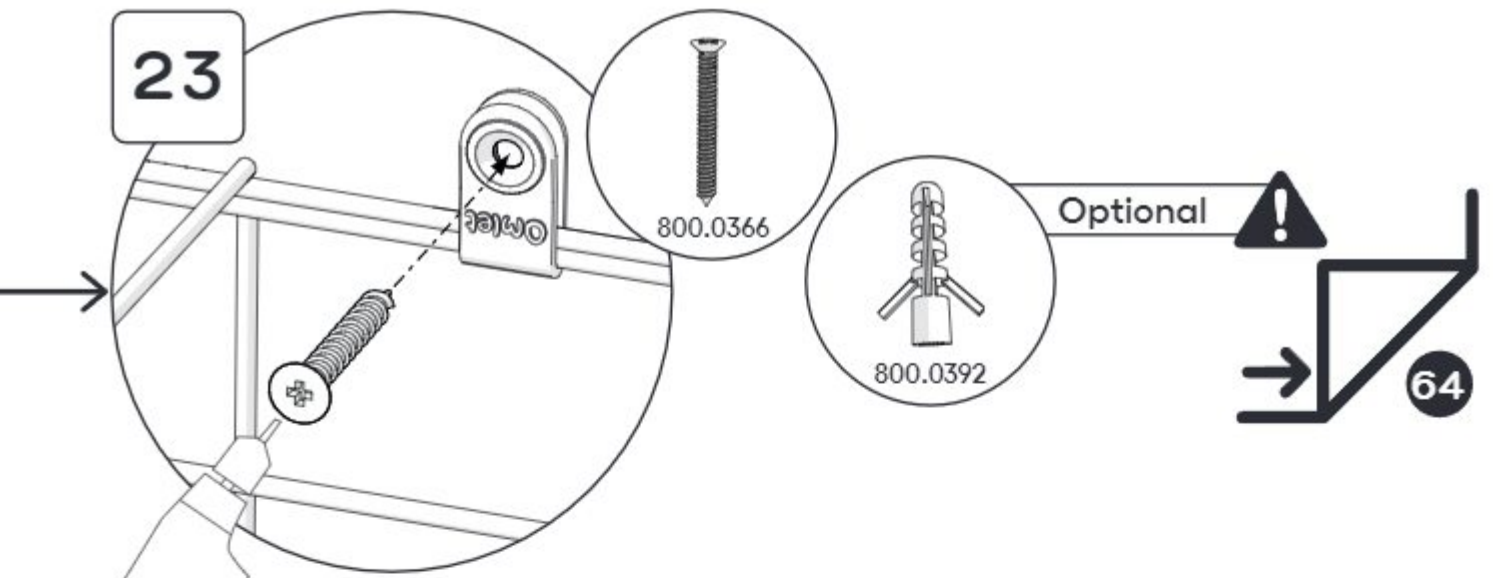


22

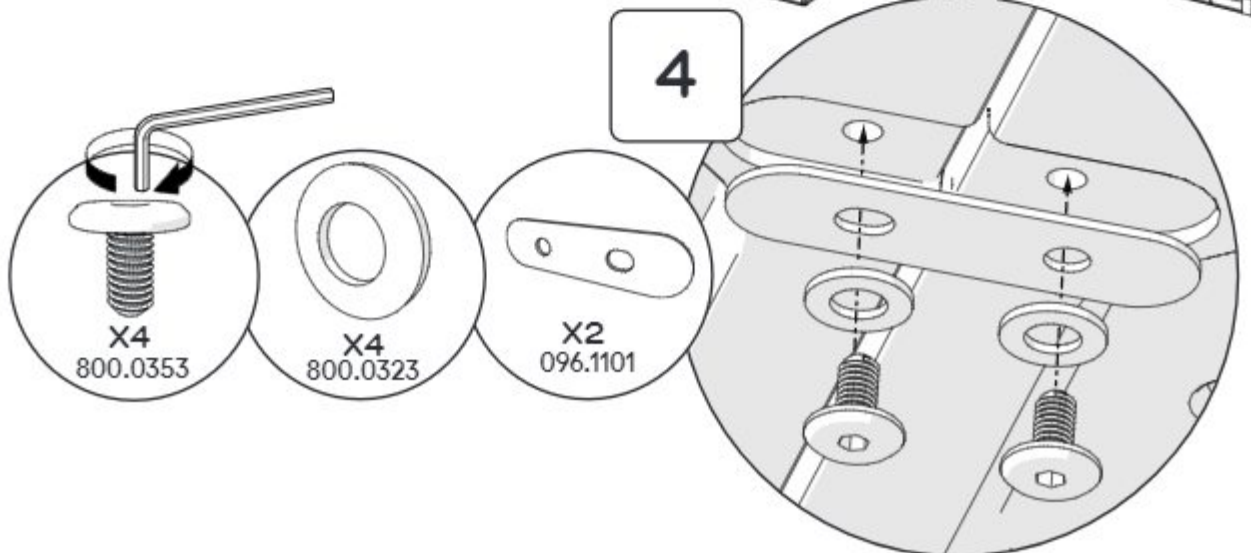
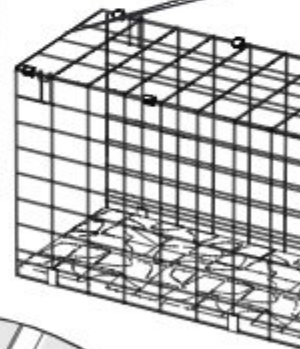
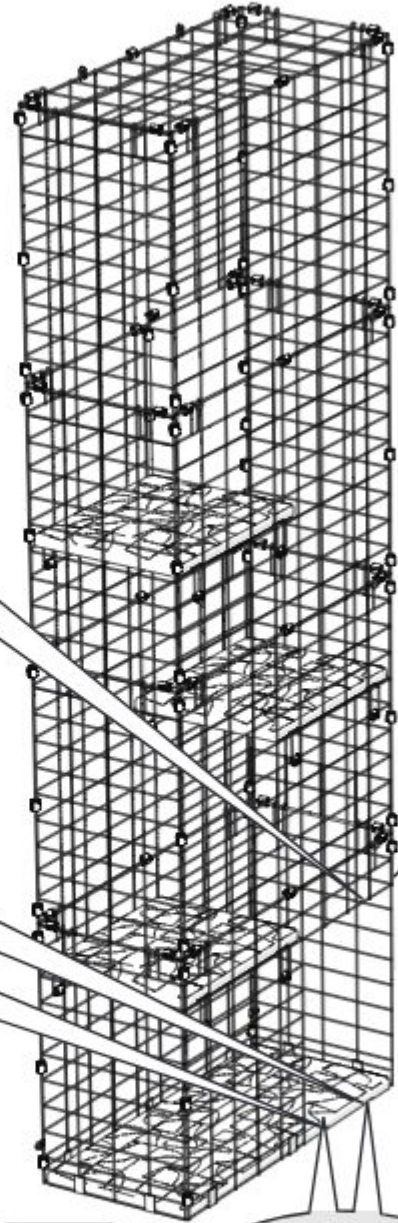
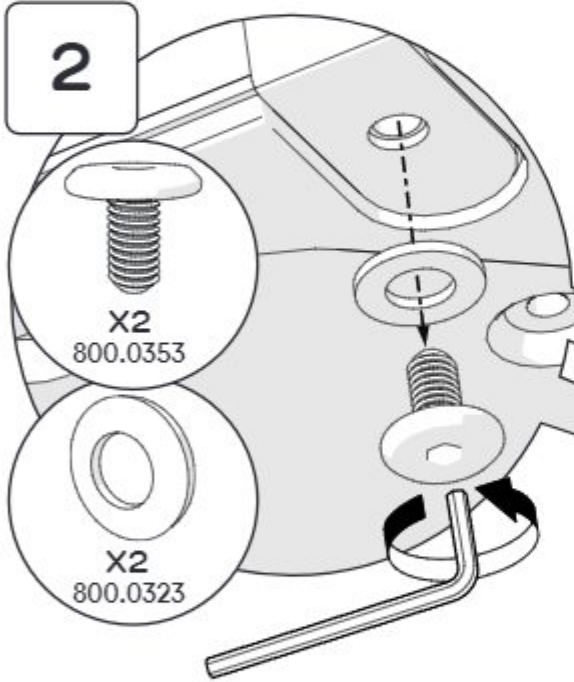
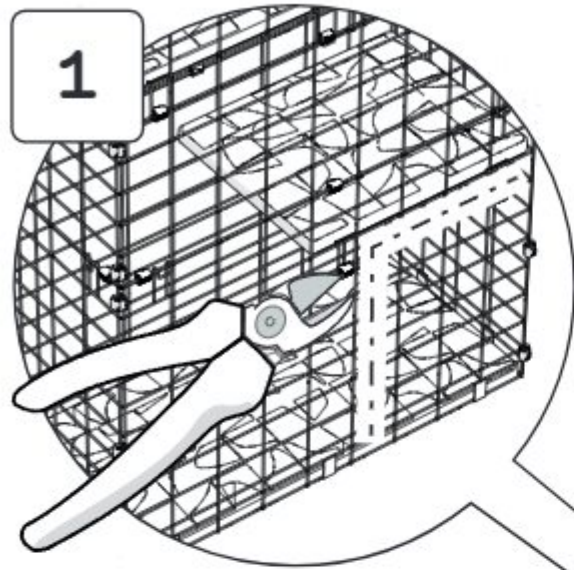


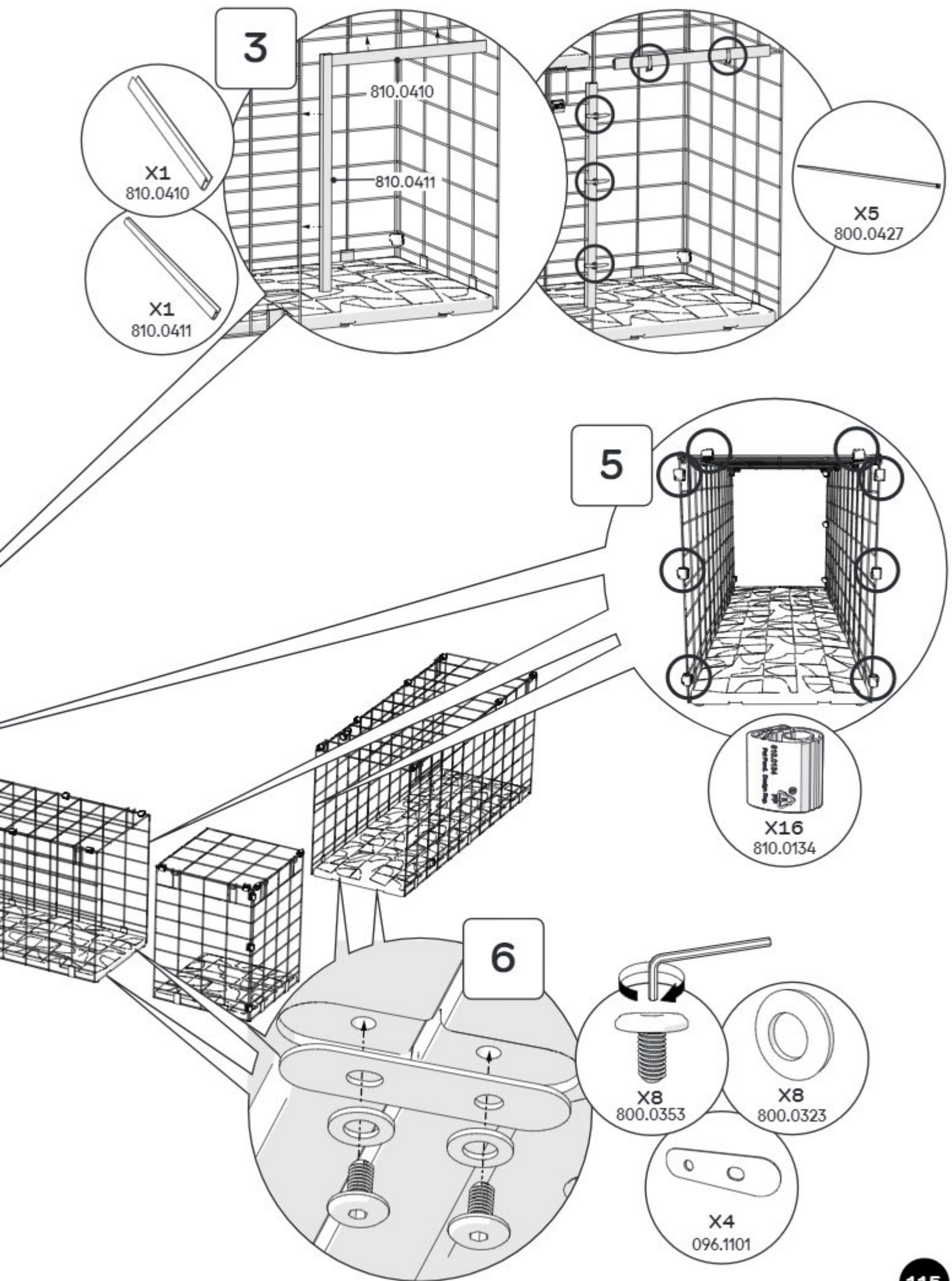
Please add wall mounting clips where required for extra support.



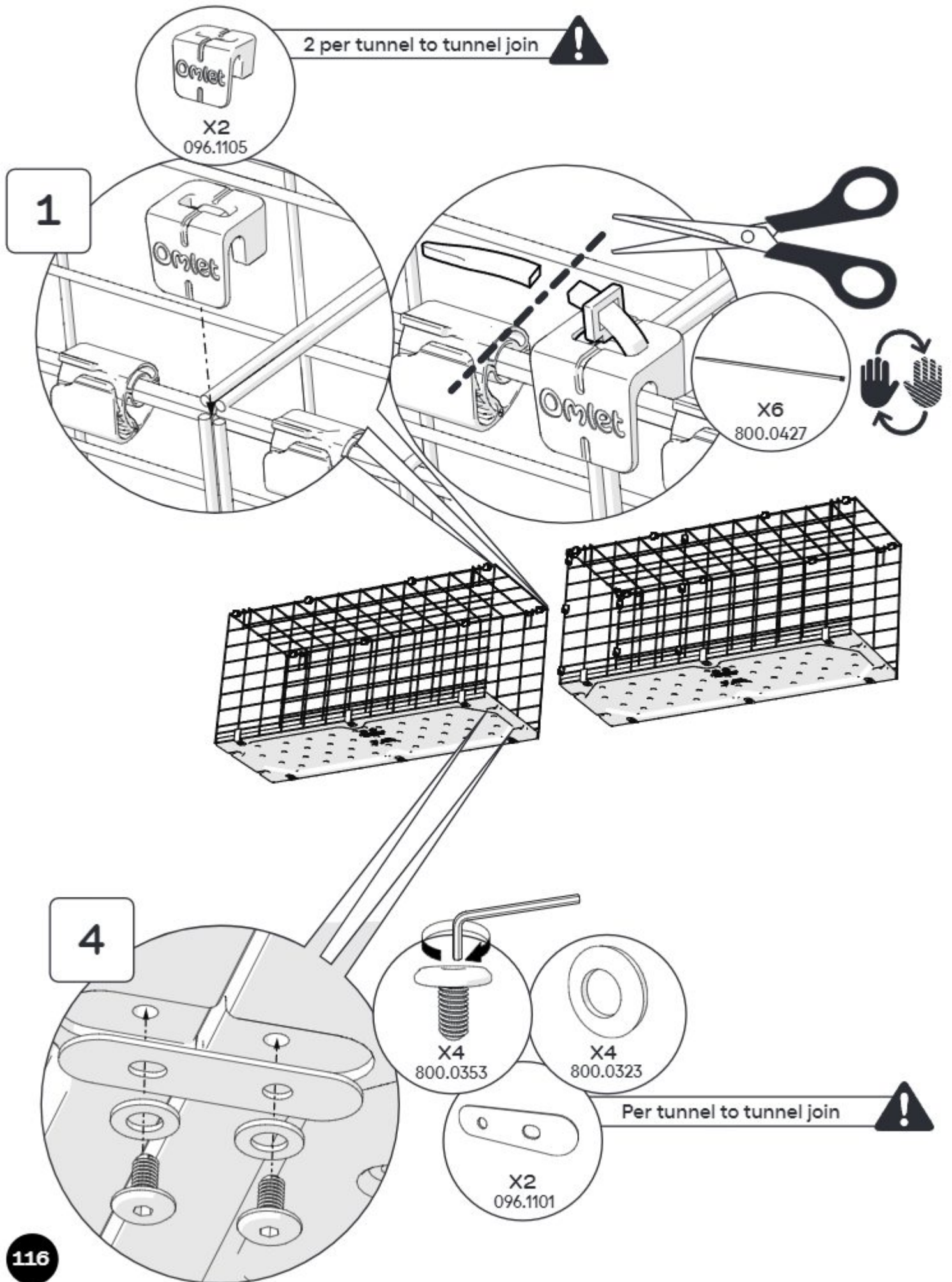


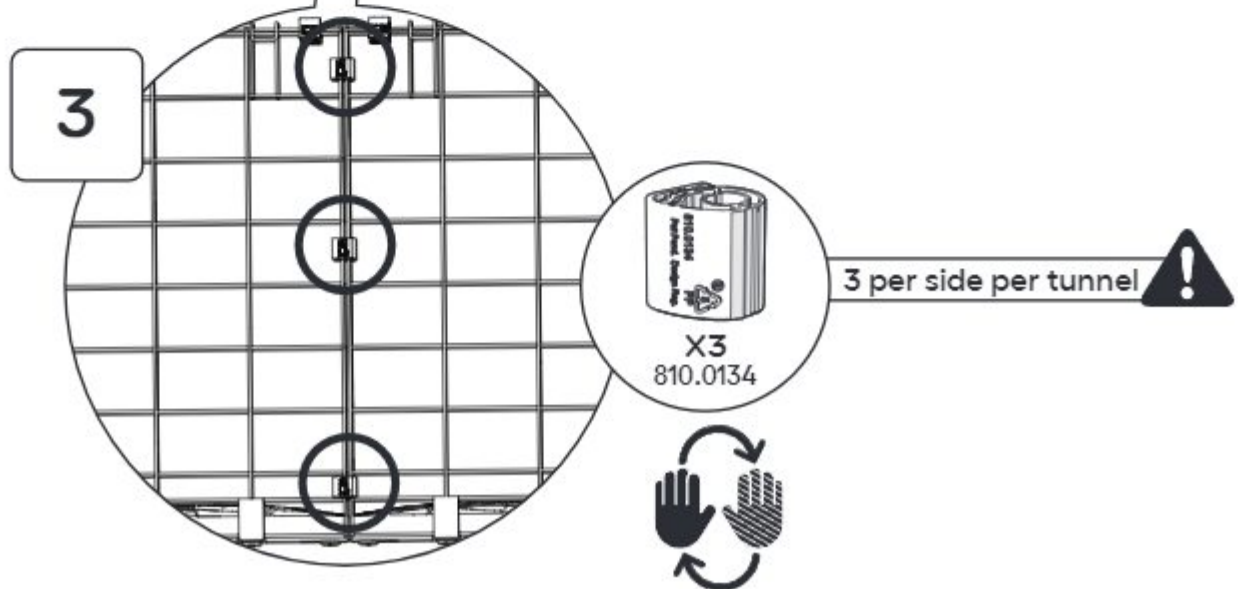
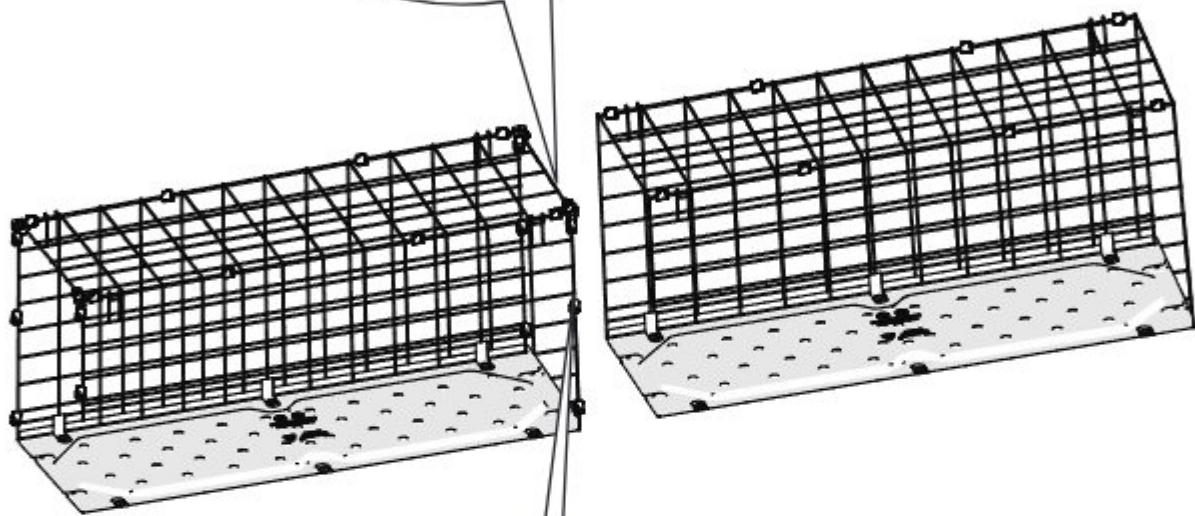
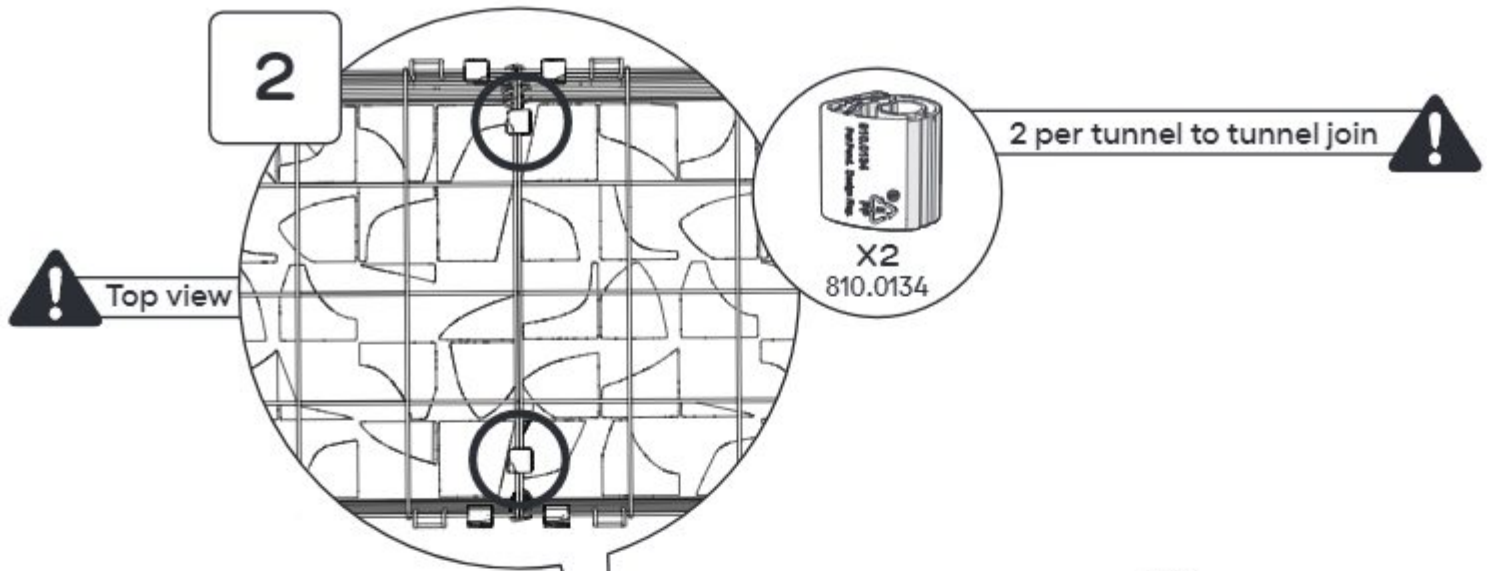
FLOOR RUNNING

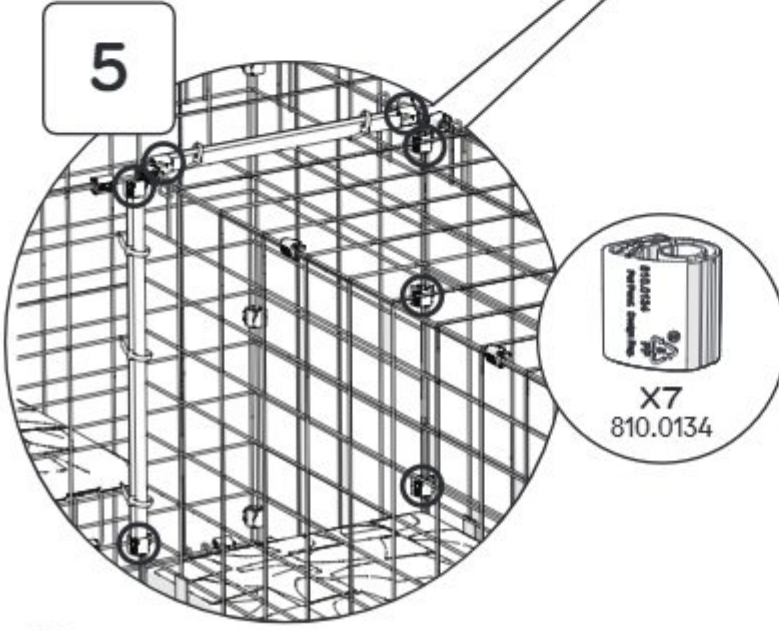
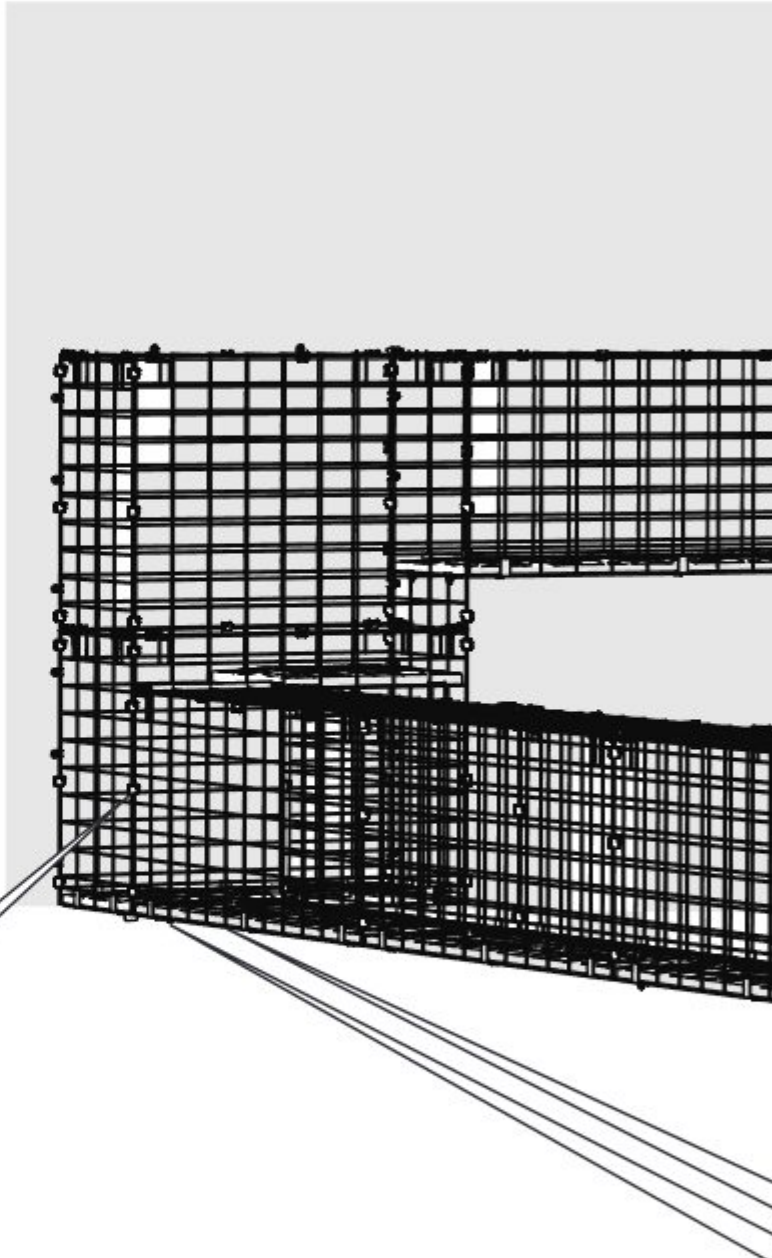


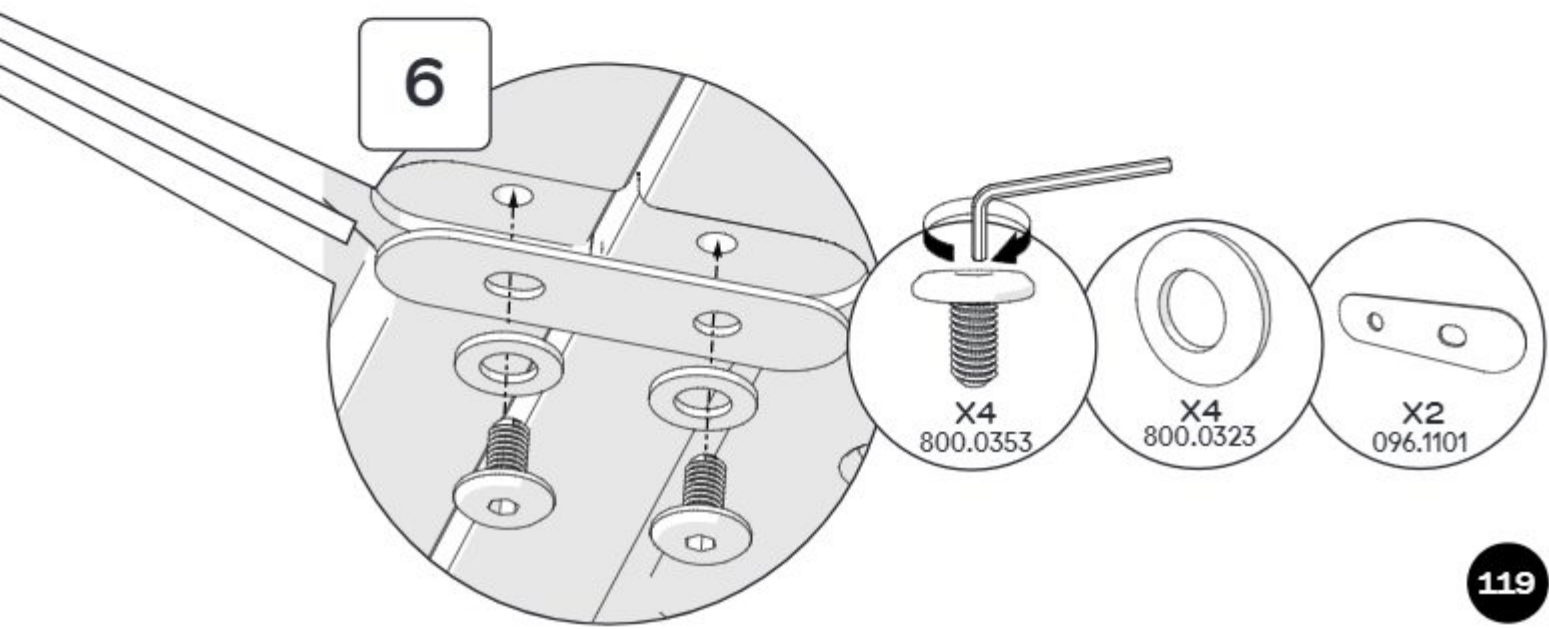
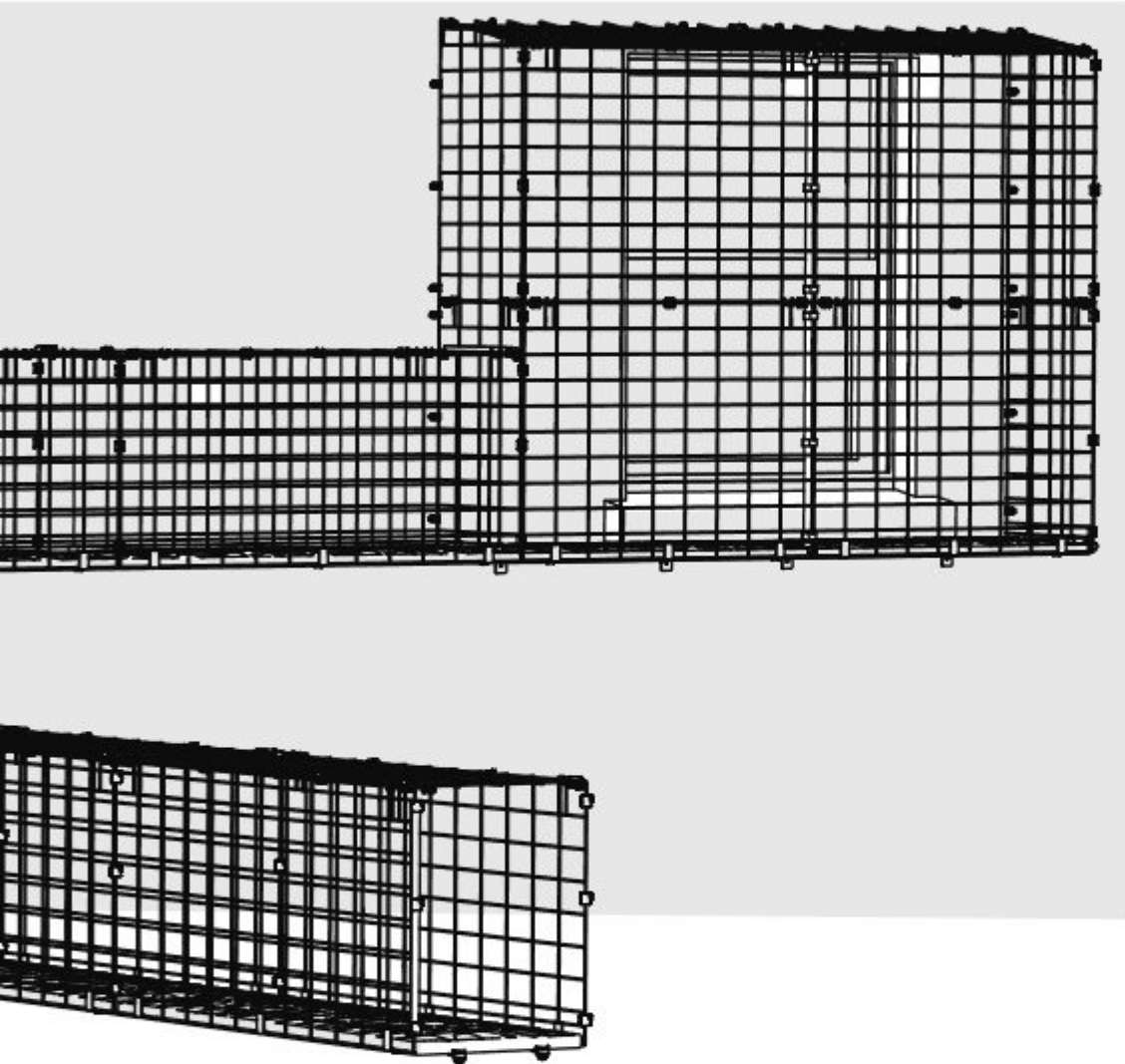


FREESTANDING

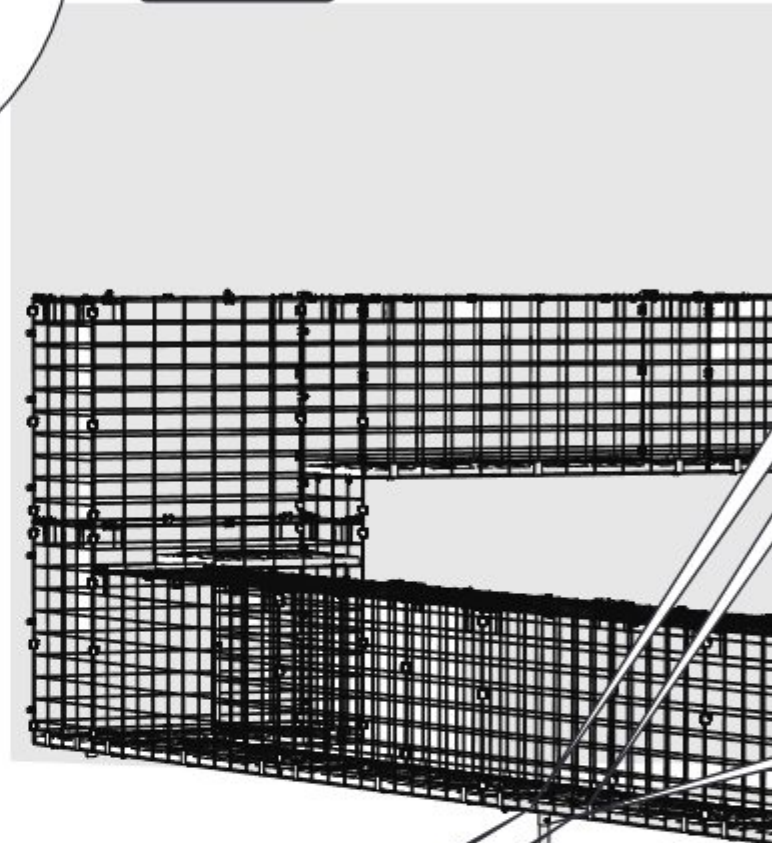
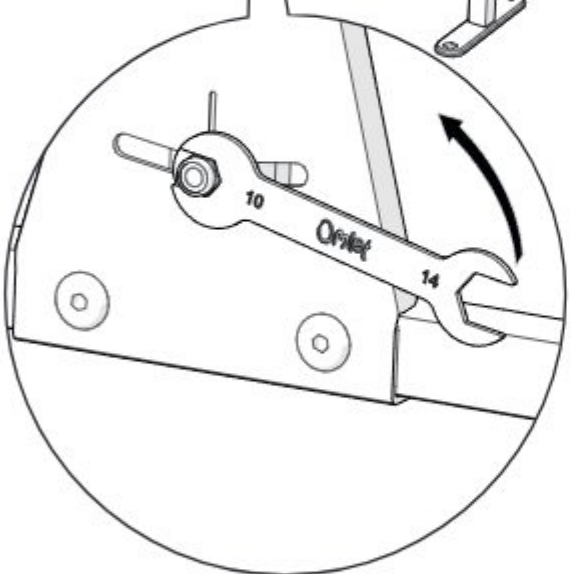
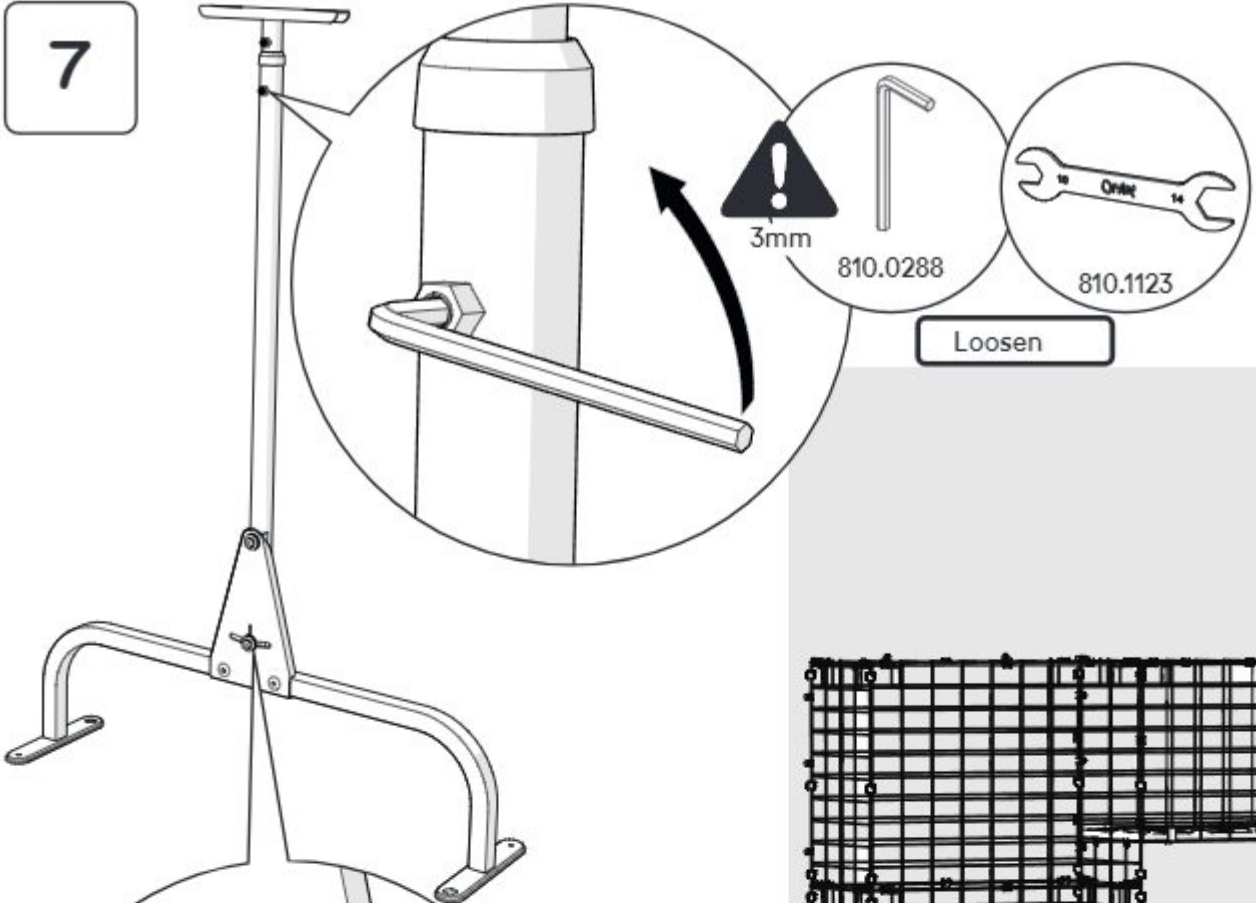




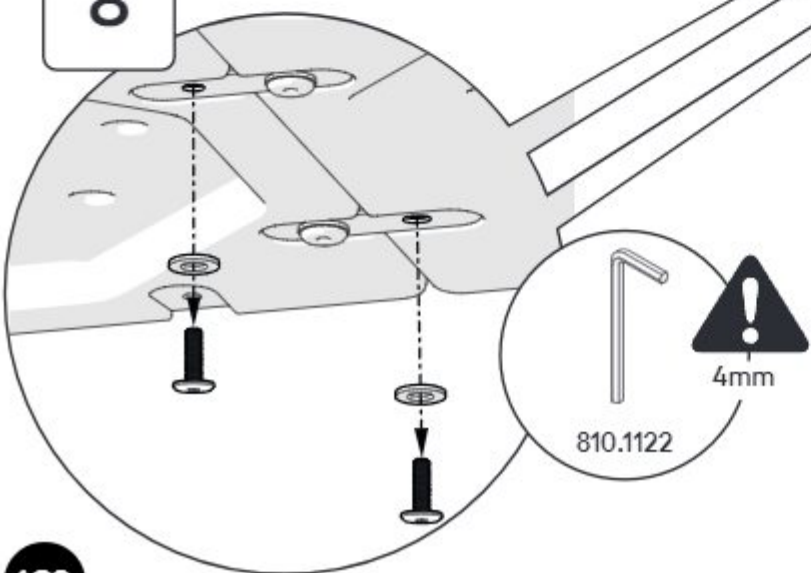


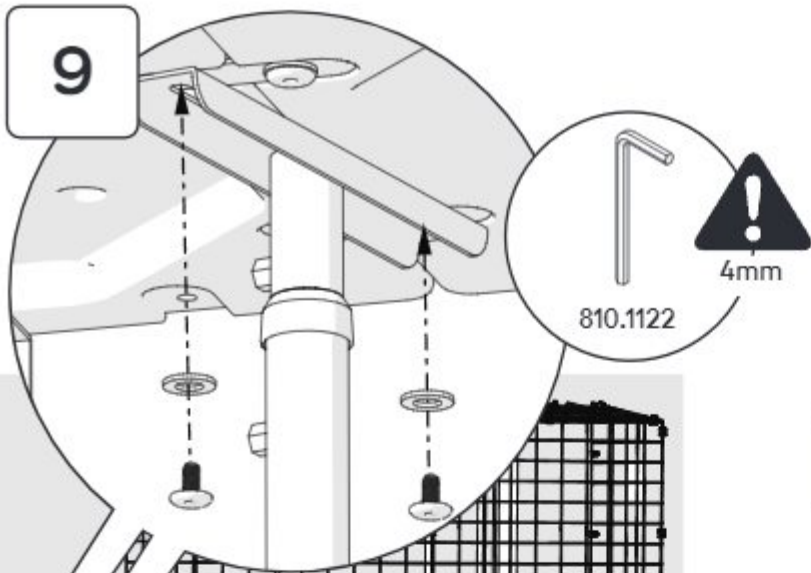


7

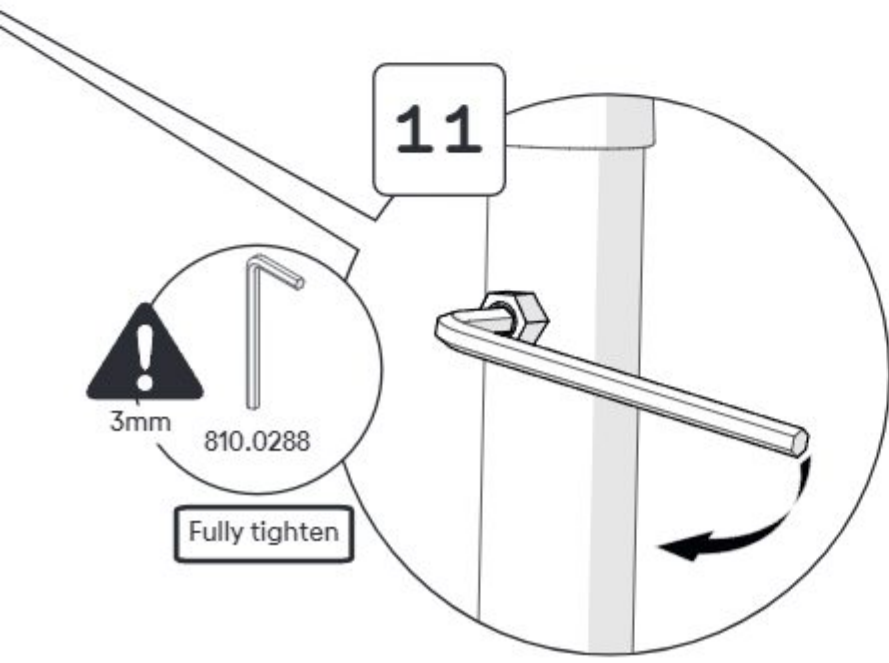
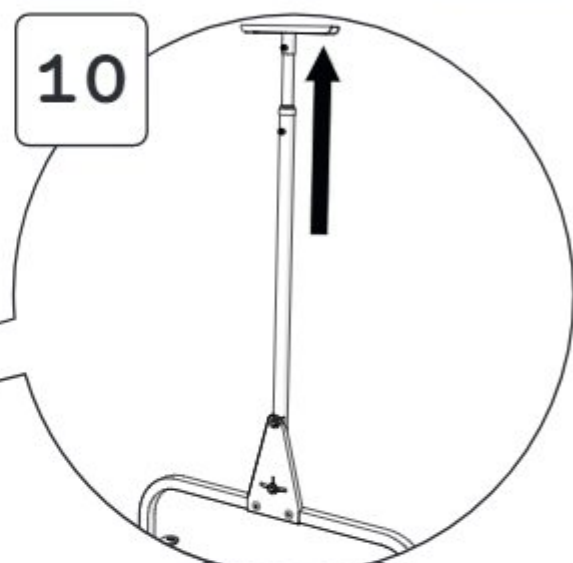


8

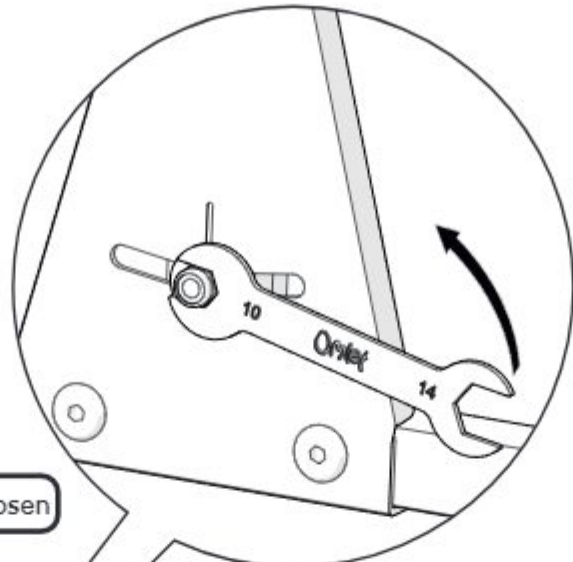




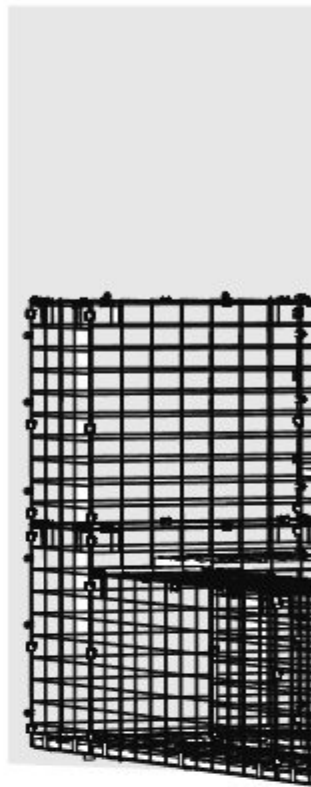
Max height 140 cm / 55" - further extension will cause loss of stability.



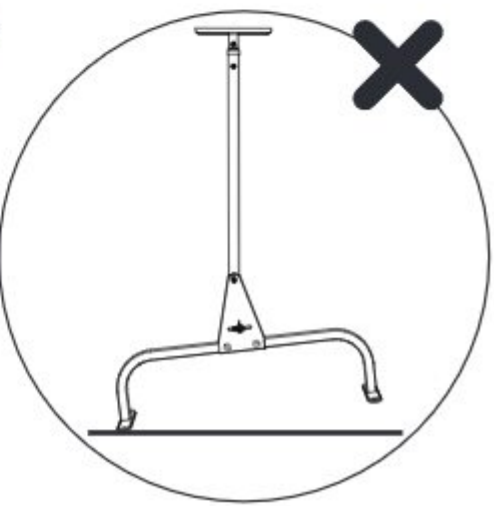
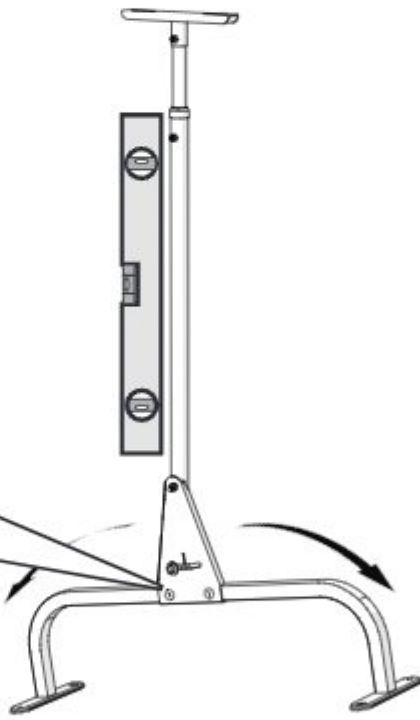
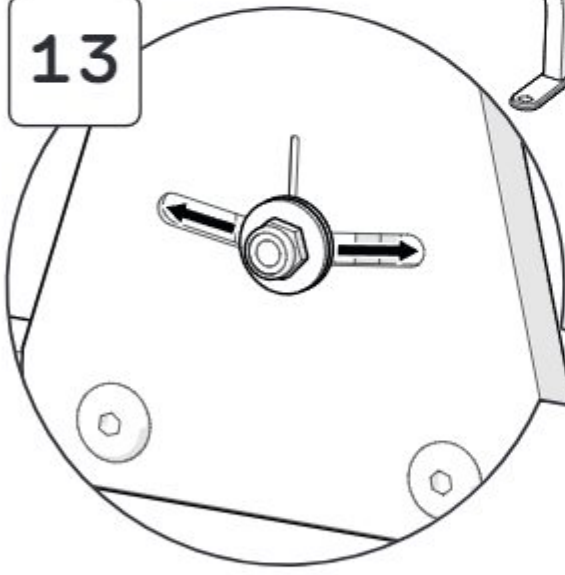
12



Loosen

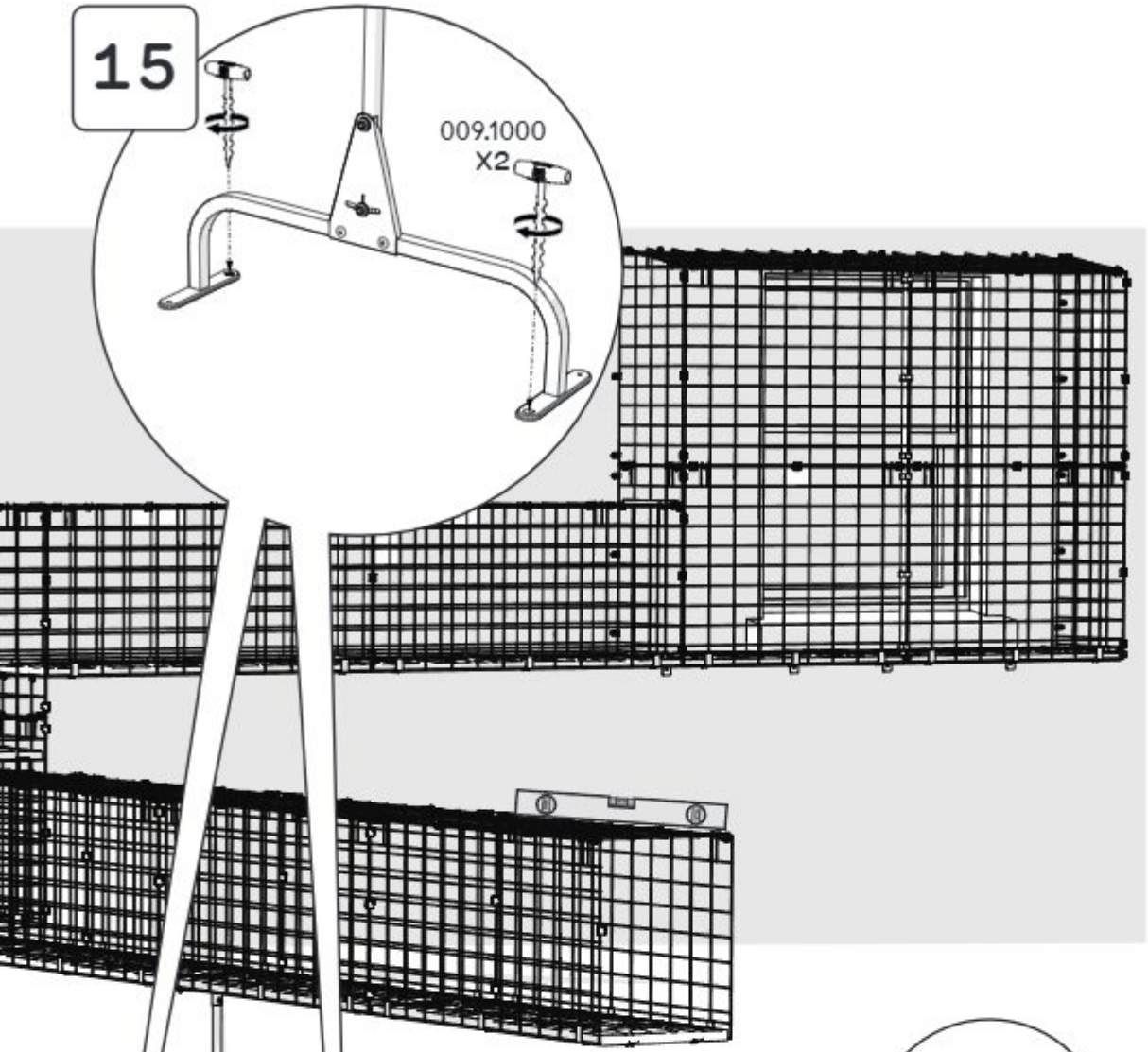


13



15

009.1000
X2

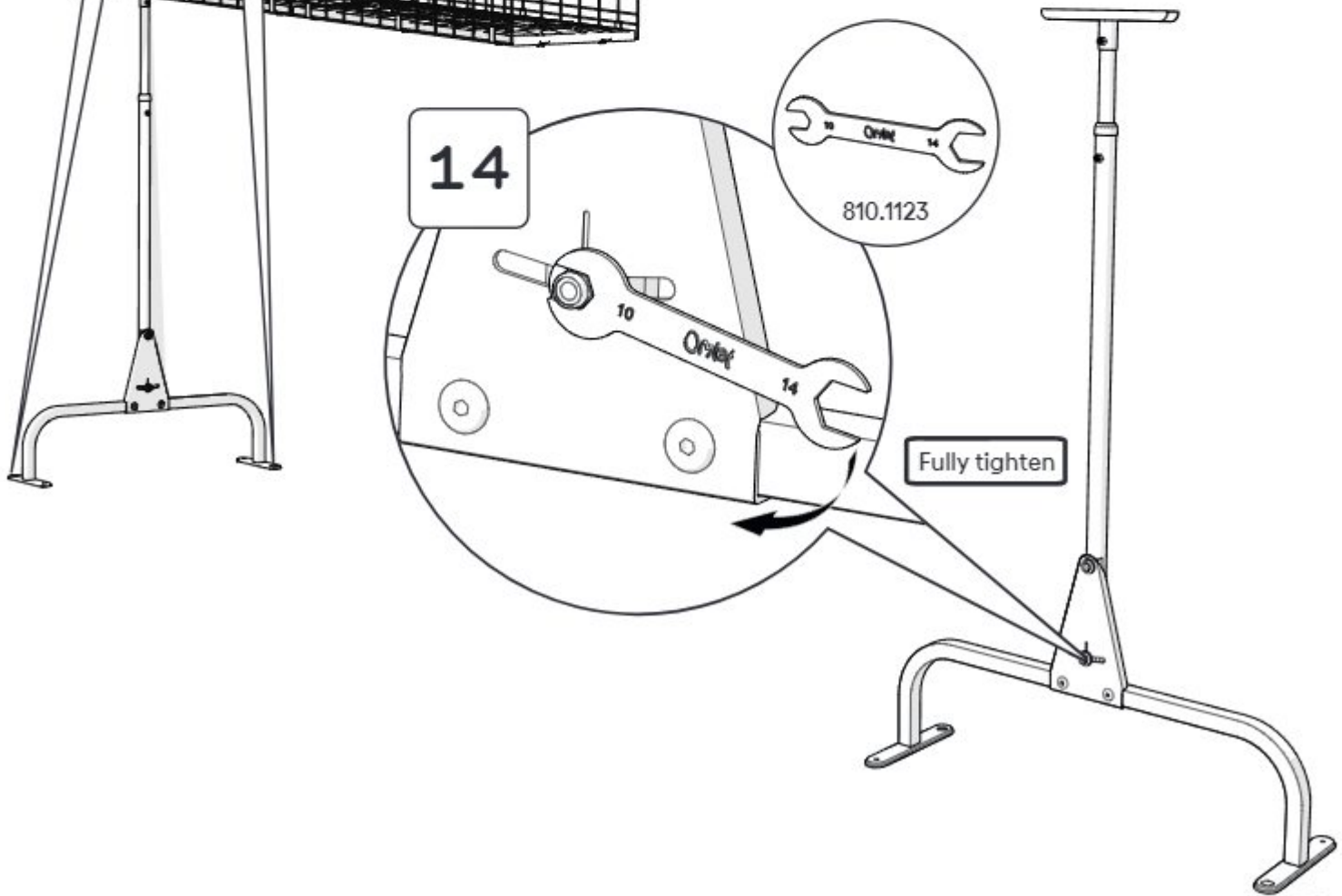


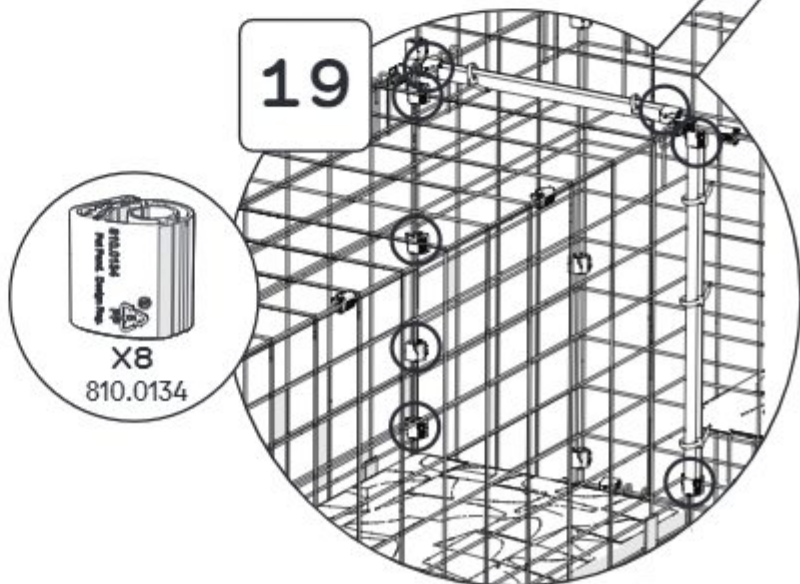
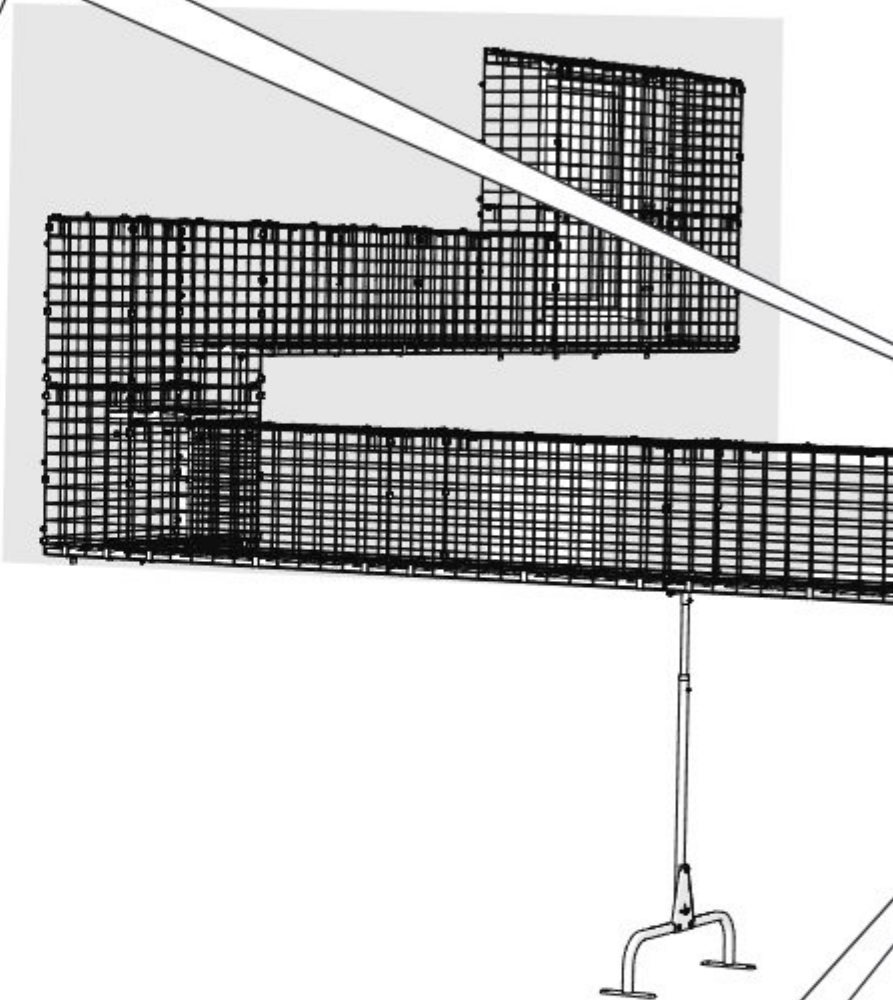
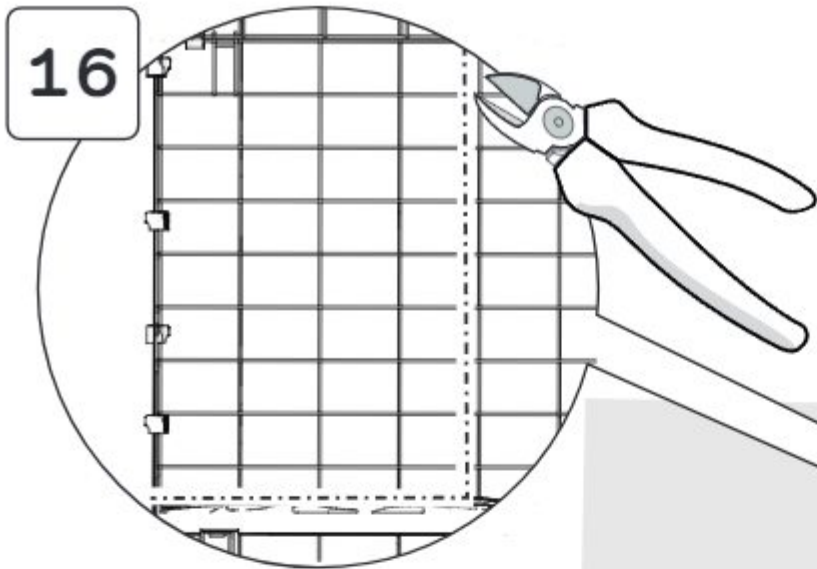
14



810.1123

Fully tighten





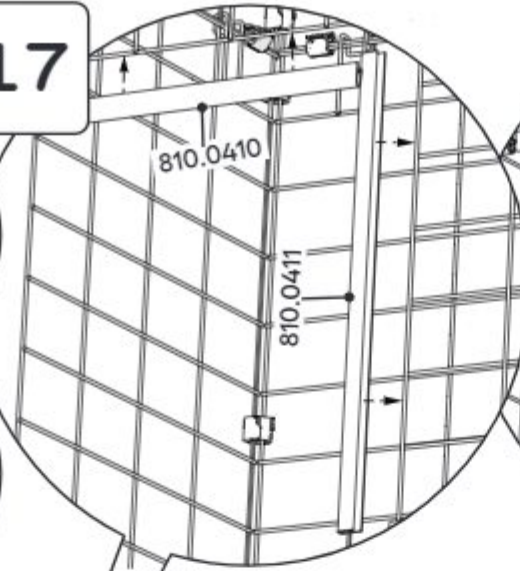
17



X1
810.0410

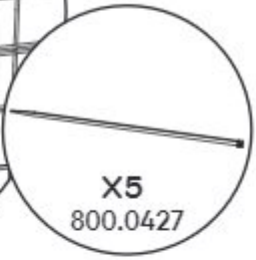
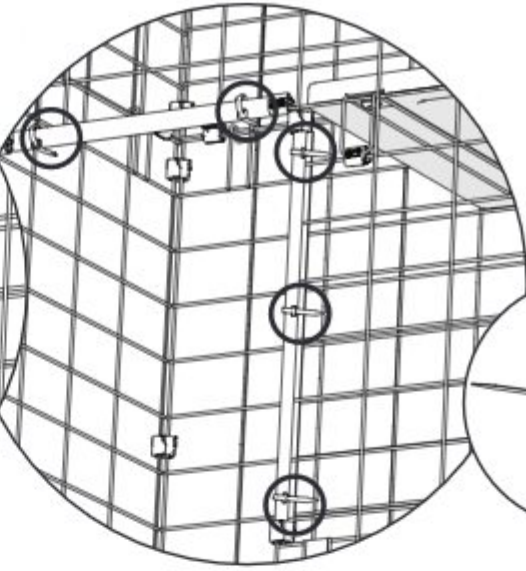


X1
810.0411

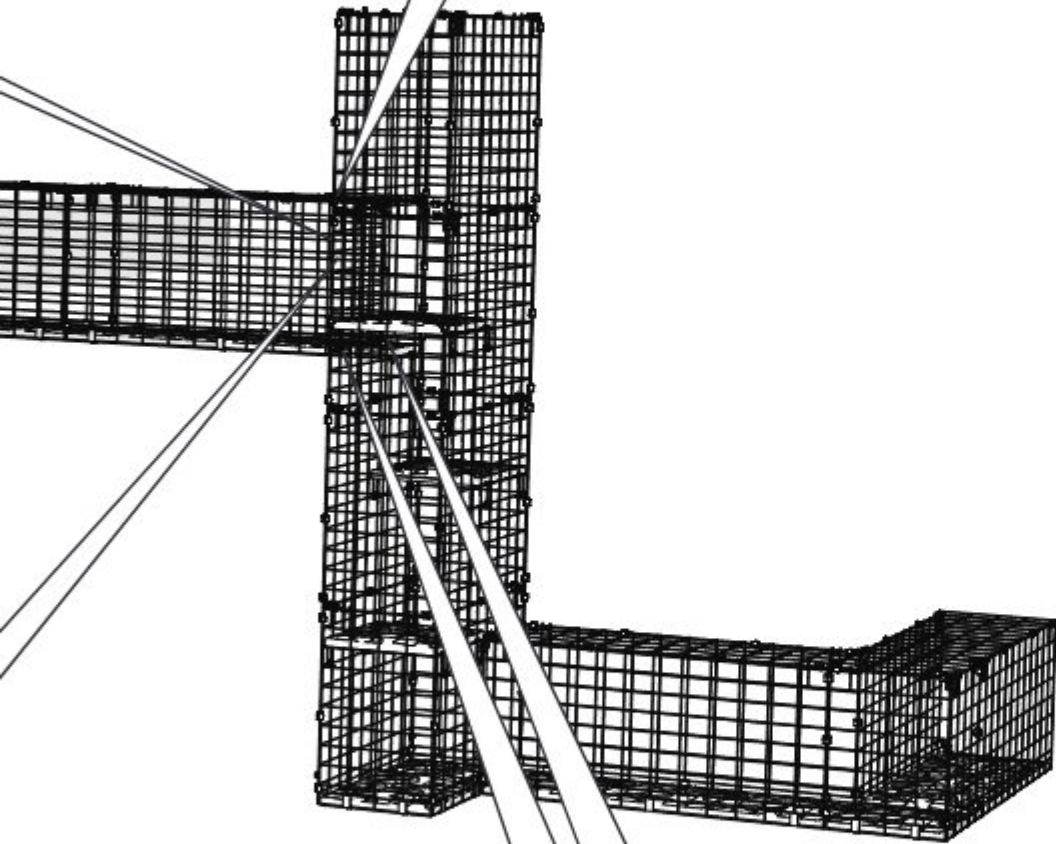


810.0410

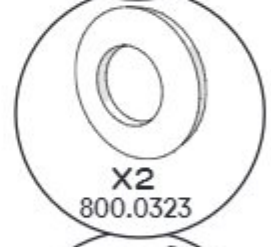
810.0411



X5
800.0427



X2
800.0353

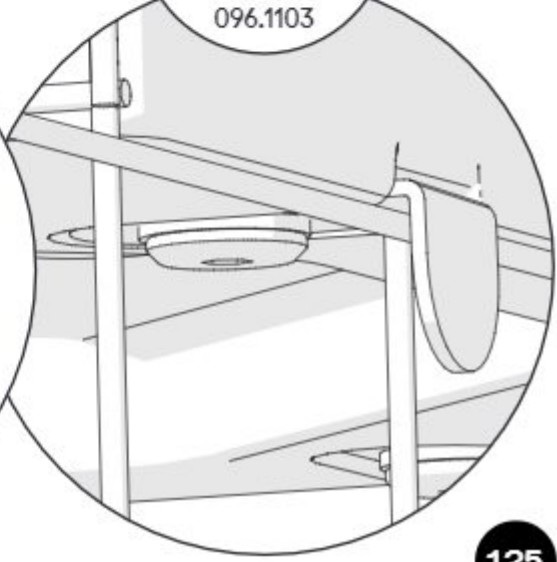
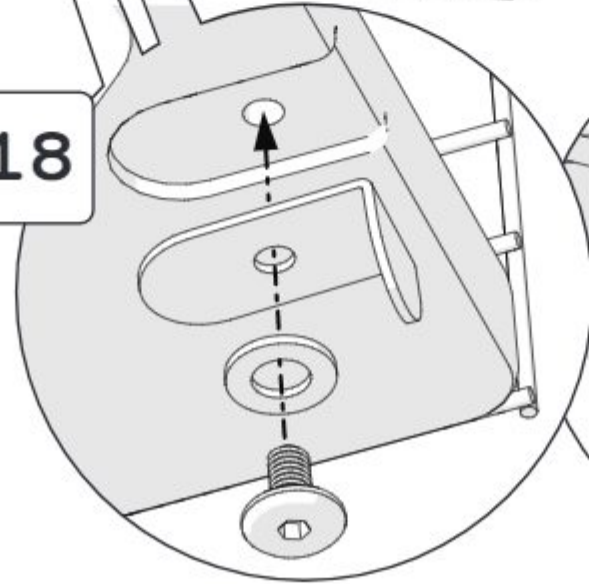


X2
800.0323

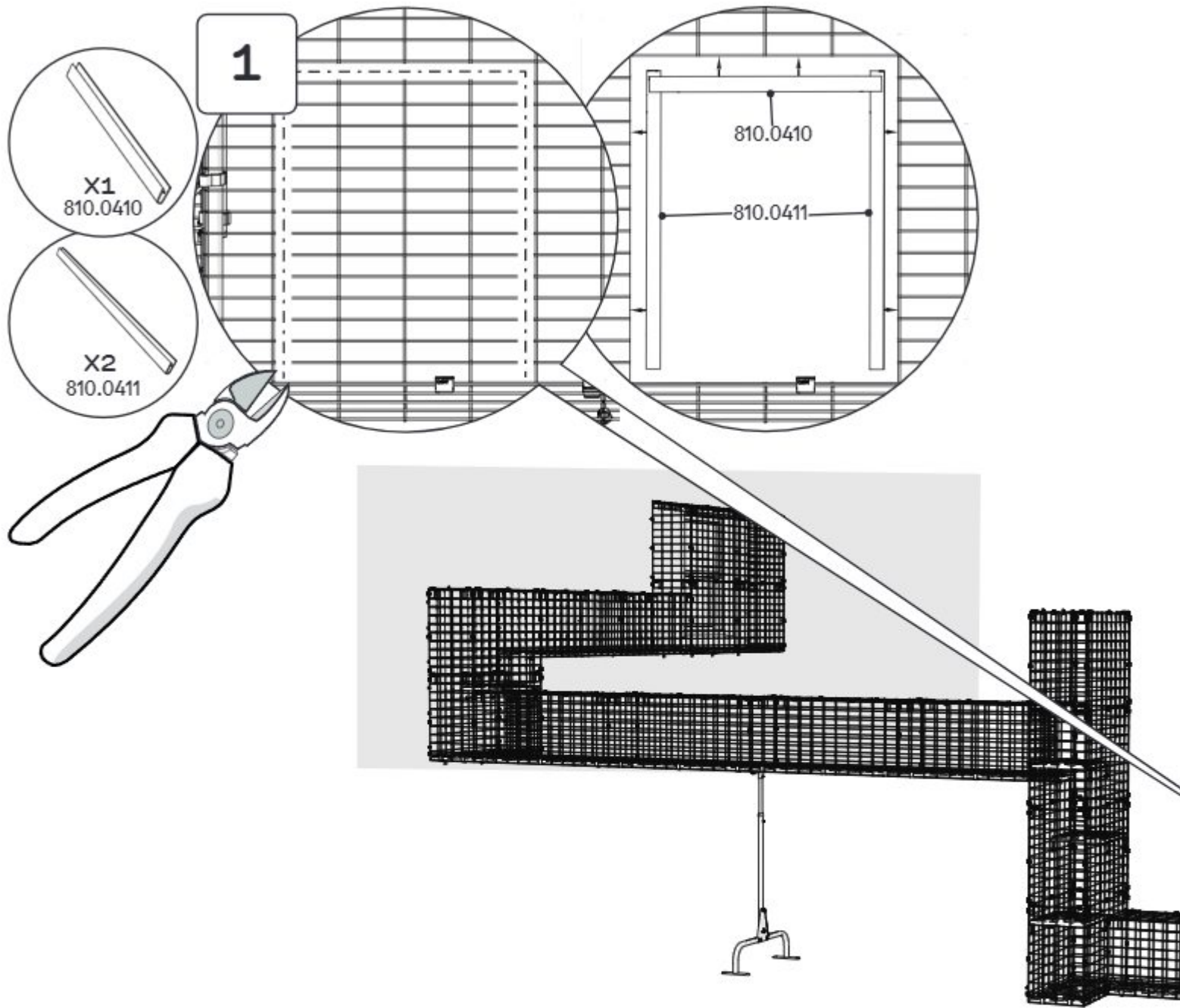


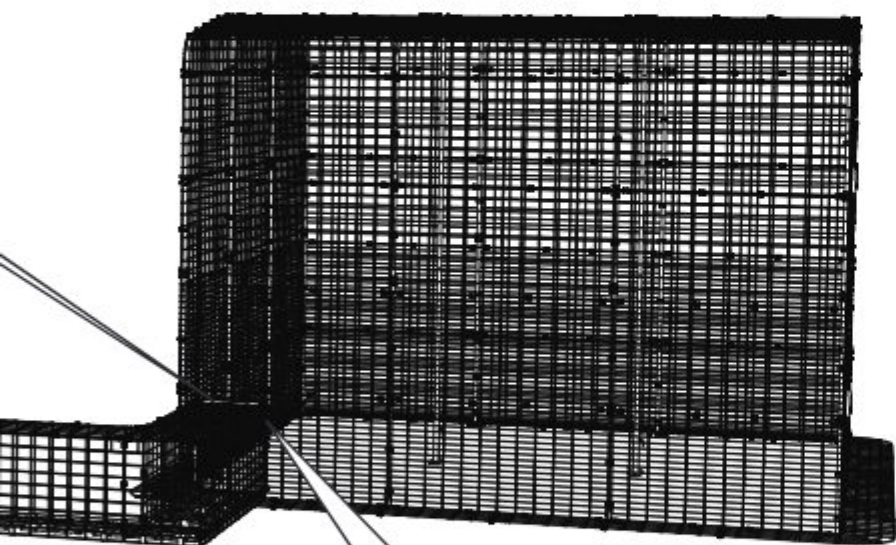
X2
096.1103

18

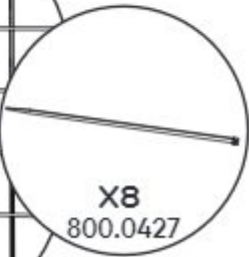
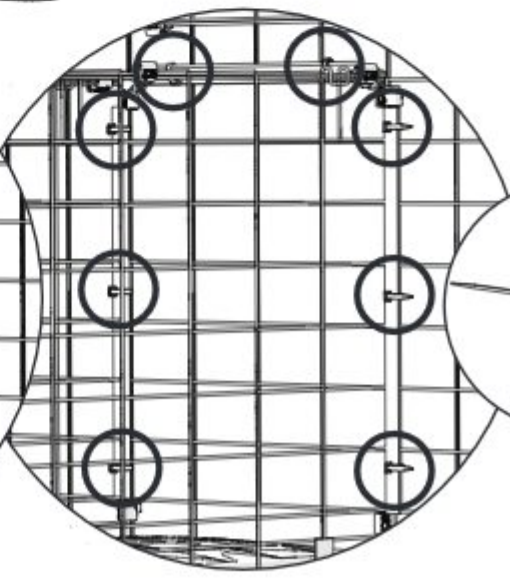
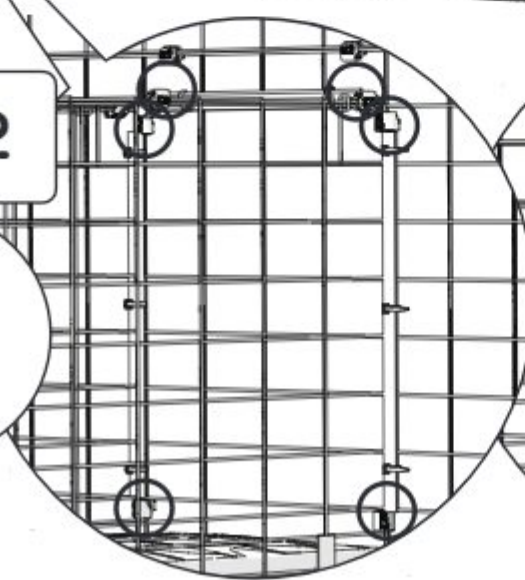
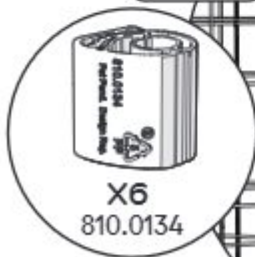


DESTINATION





2



OPEN UP THE OUTSIDE



Omlet



Please Reuse,
Compost,
Recycle.

© Copyright Omlet Ltd. 2024
Design registered, patent pending
Omlet and Eglu are registered trademarks of Hebe Studios Ltd.
820.2326 Instruction Manual Catio Tunnel - Master_ 08/04/2024

