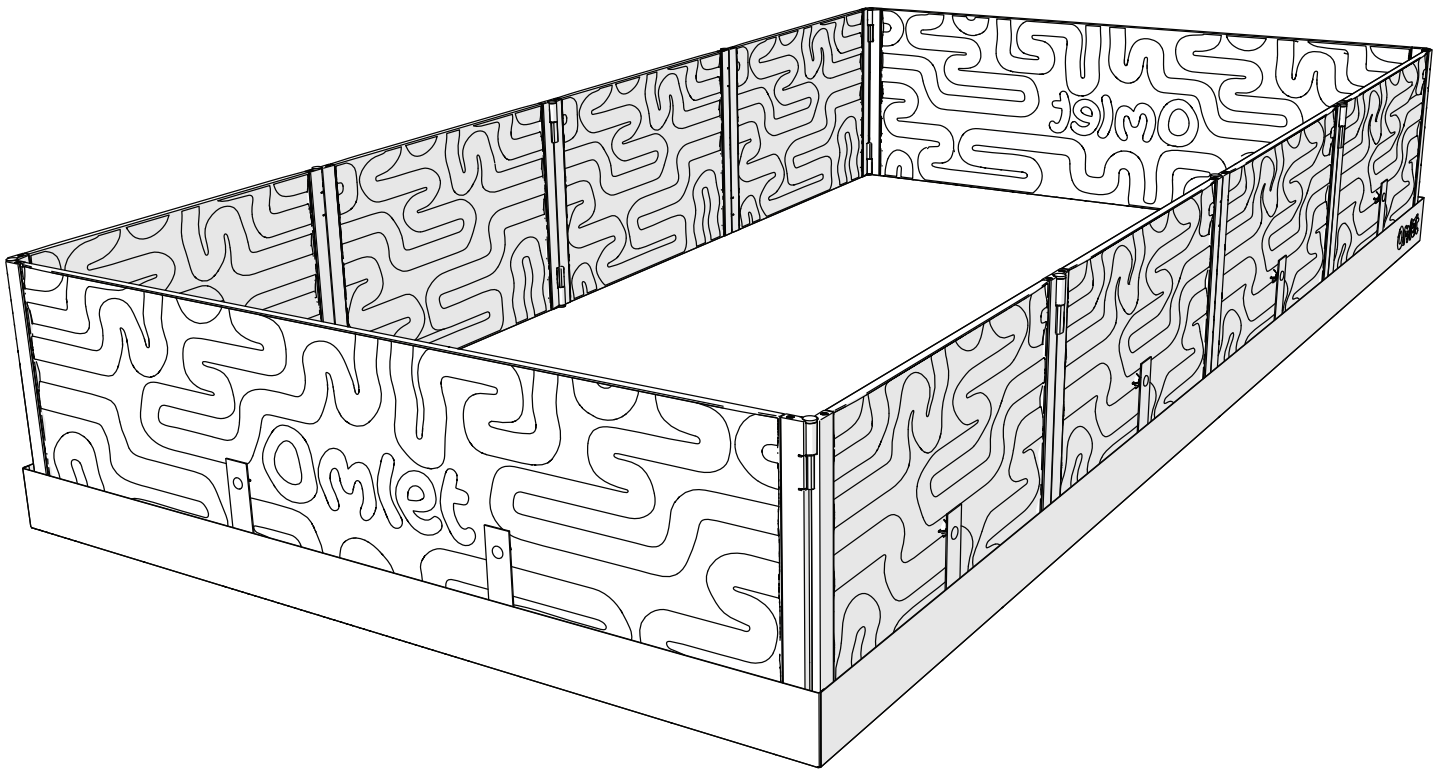


SMALL ANIMAL PLAYPEN

Assembly Guide



Omlet

SPACE TO SCAMPER

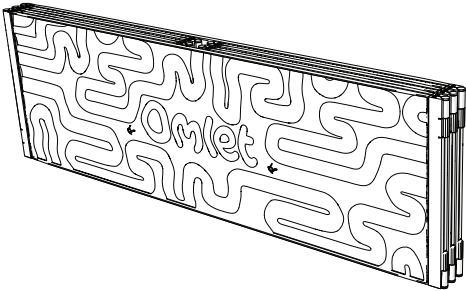
Watch the 'How to Build' video now

www.omlet.co.uk/how_to_build

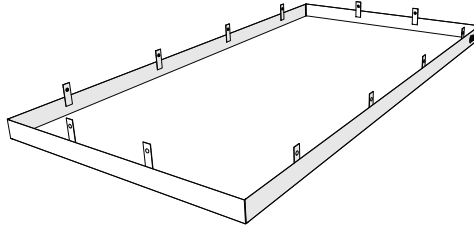


What you have received

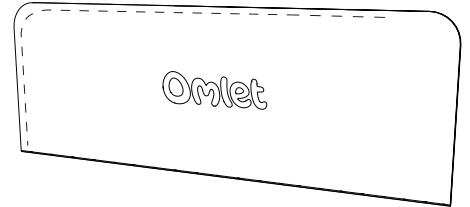
111.0005 Large Boxed Playpen with Floor



Large Playpen Assembly
111.0003

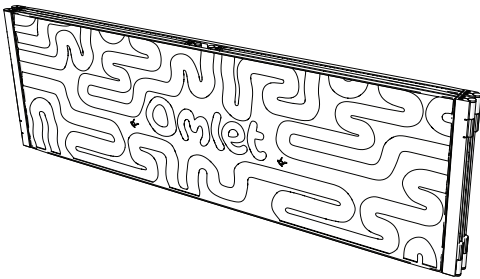


Large Floor and Poppers
111.0001

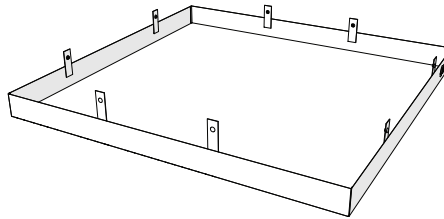


Storage Sleeve
111.1010

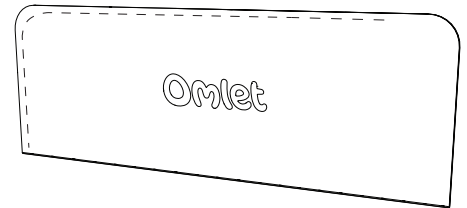
111.0007 Boxed Playpen with Floor Small



Playpen Assembly Small
111.0004



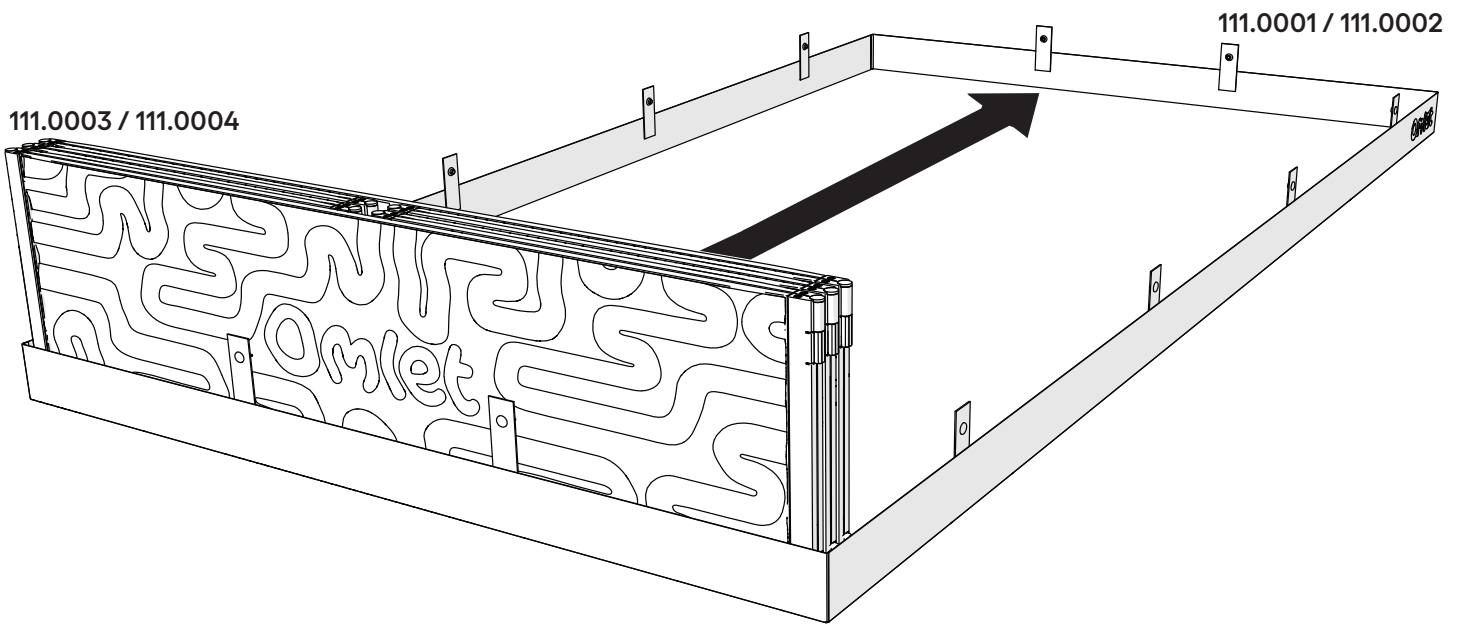
Floor Protector Assembly Small
111.0002



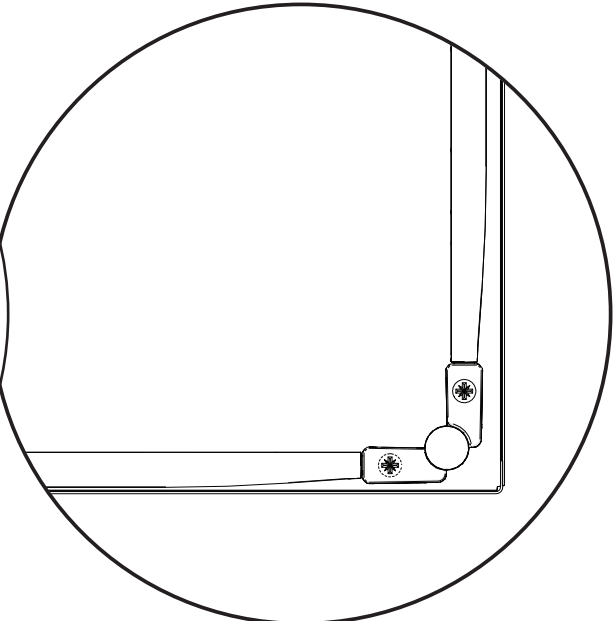
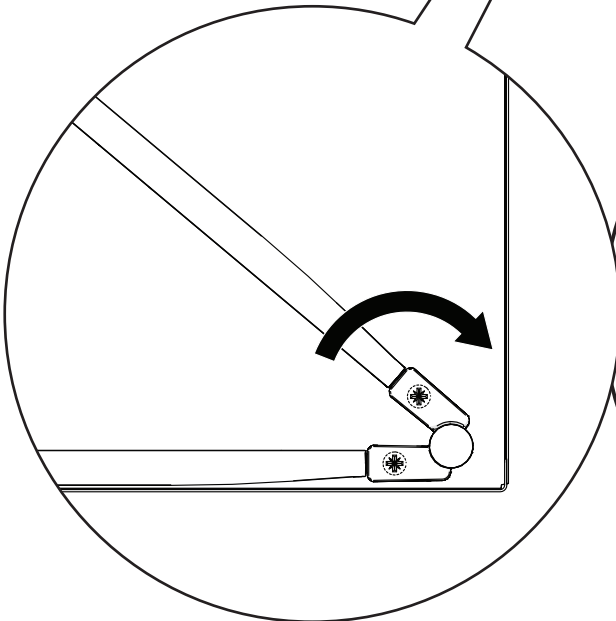
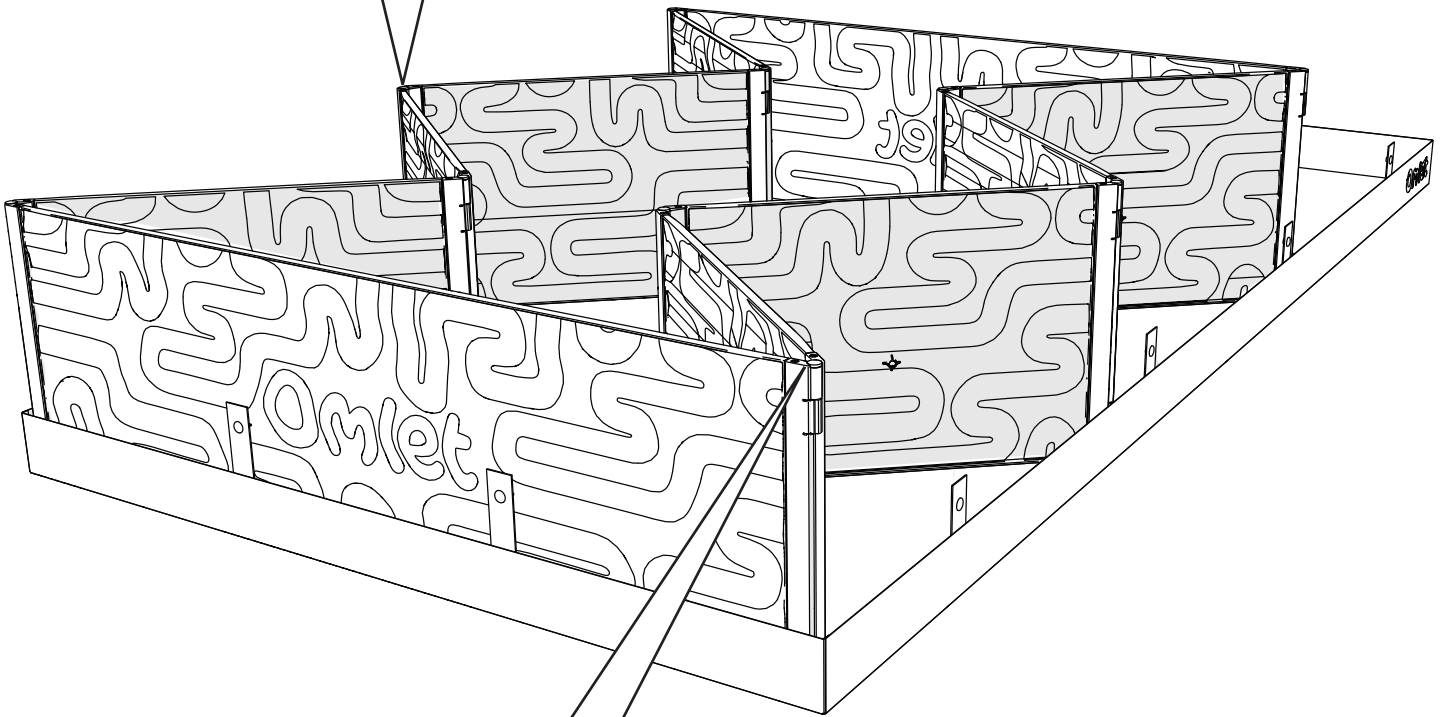
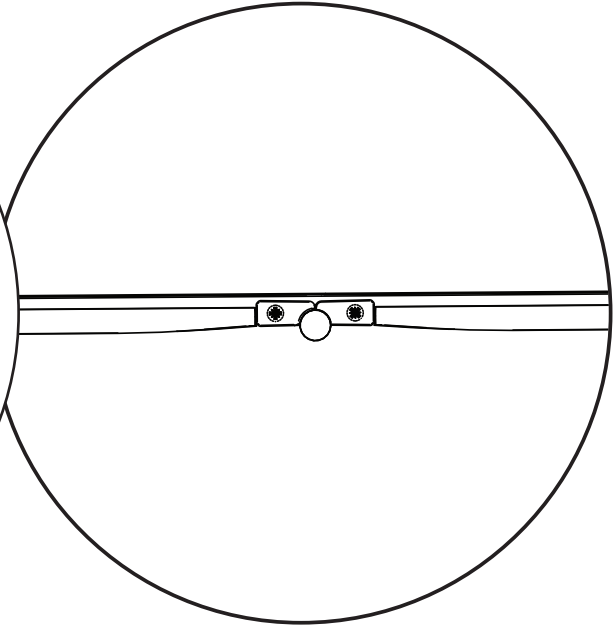
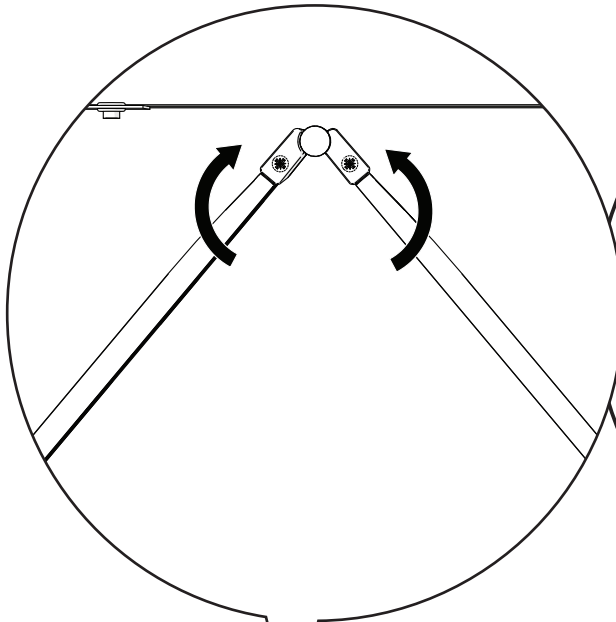
Storage Sleeve
111.1010

1

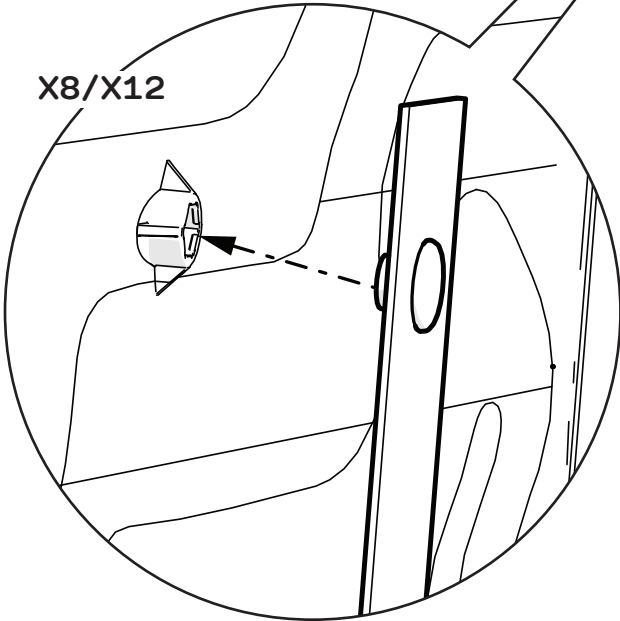
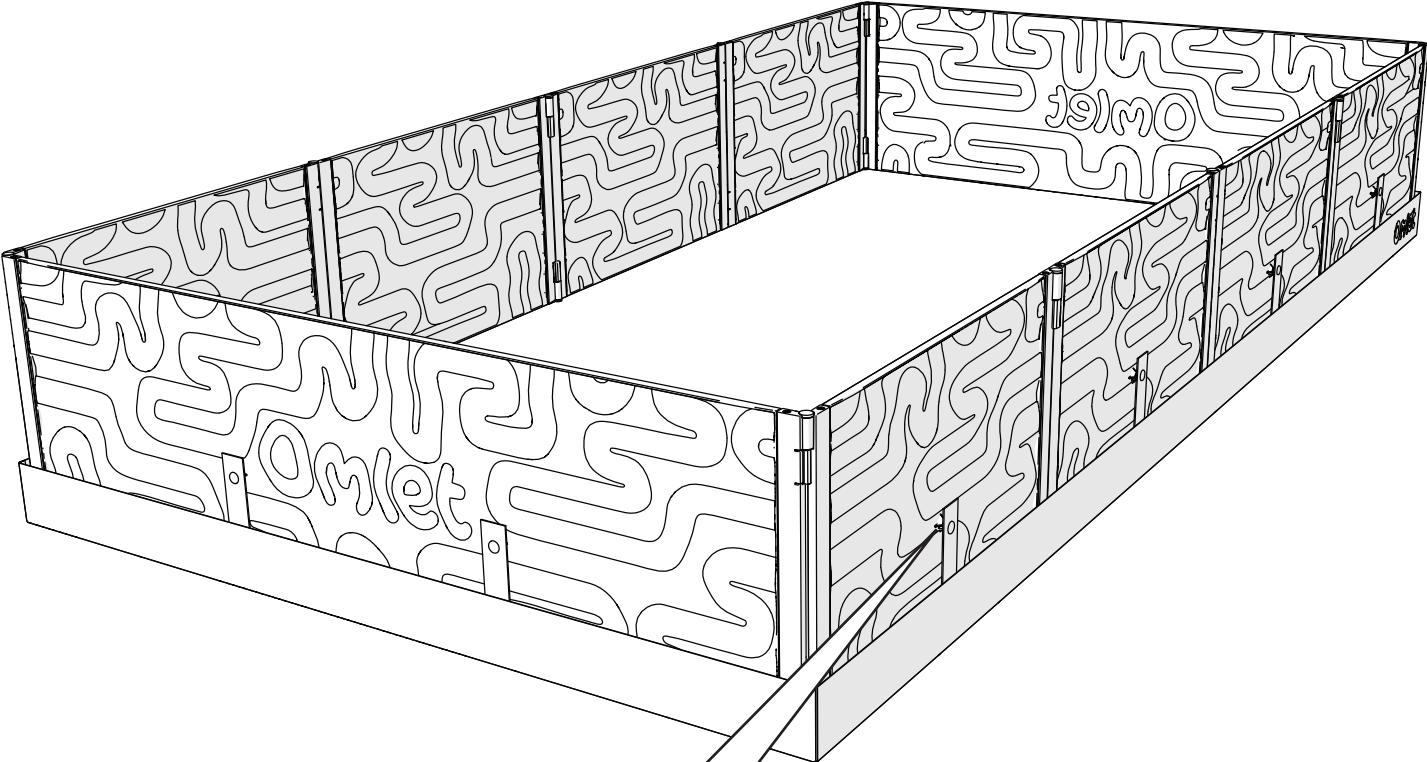
Playpen Assembly



2



3



Place toys and hides inside the Playpen so your pet feels safe and can explore.
Don't place toys too near the walls of the Playpen as your pet could escape!

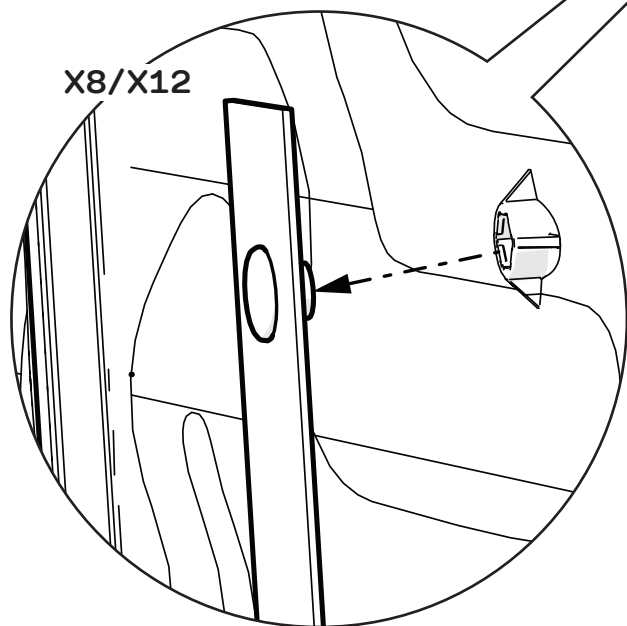
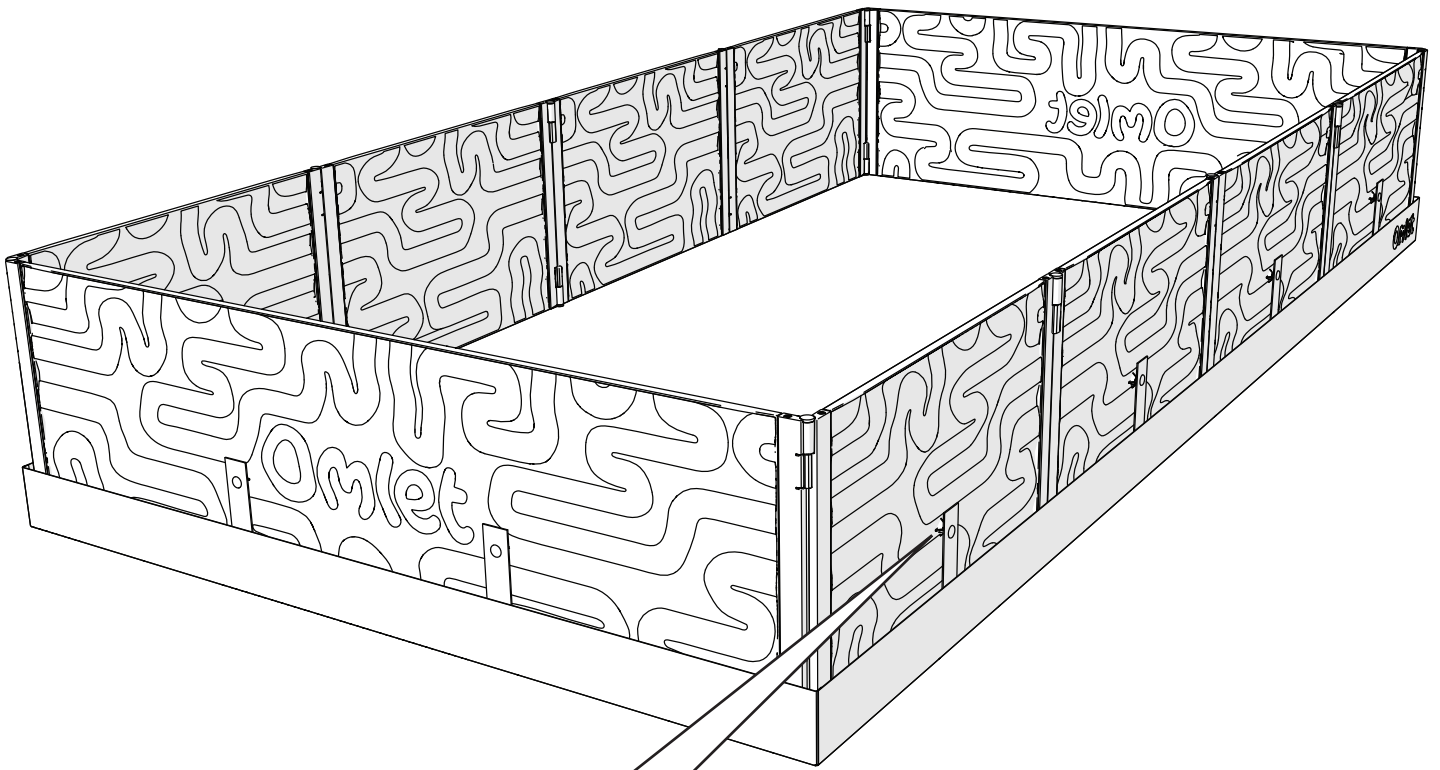


Please leave food and water for your pet in the Playpen.
Don't leave your pet unattended for long periods of time or over night in the Playpen.

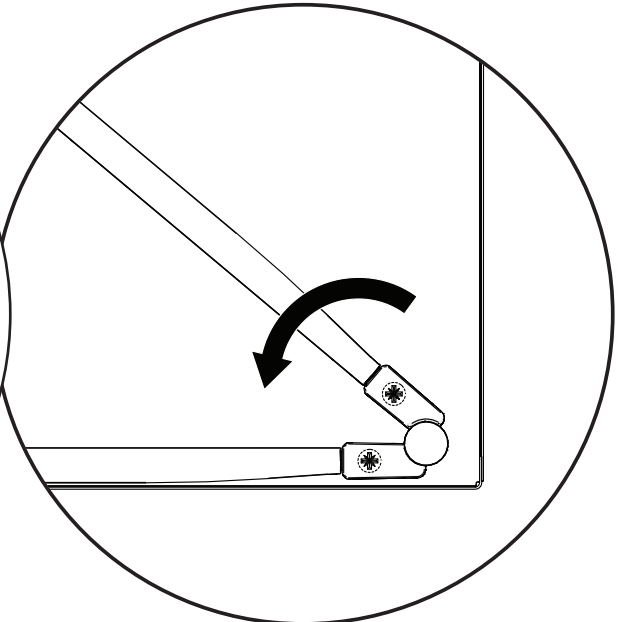
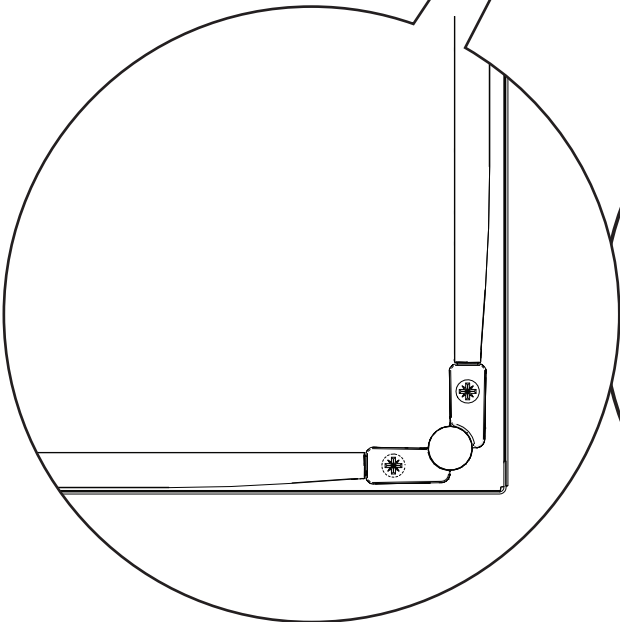
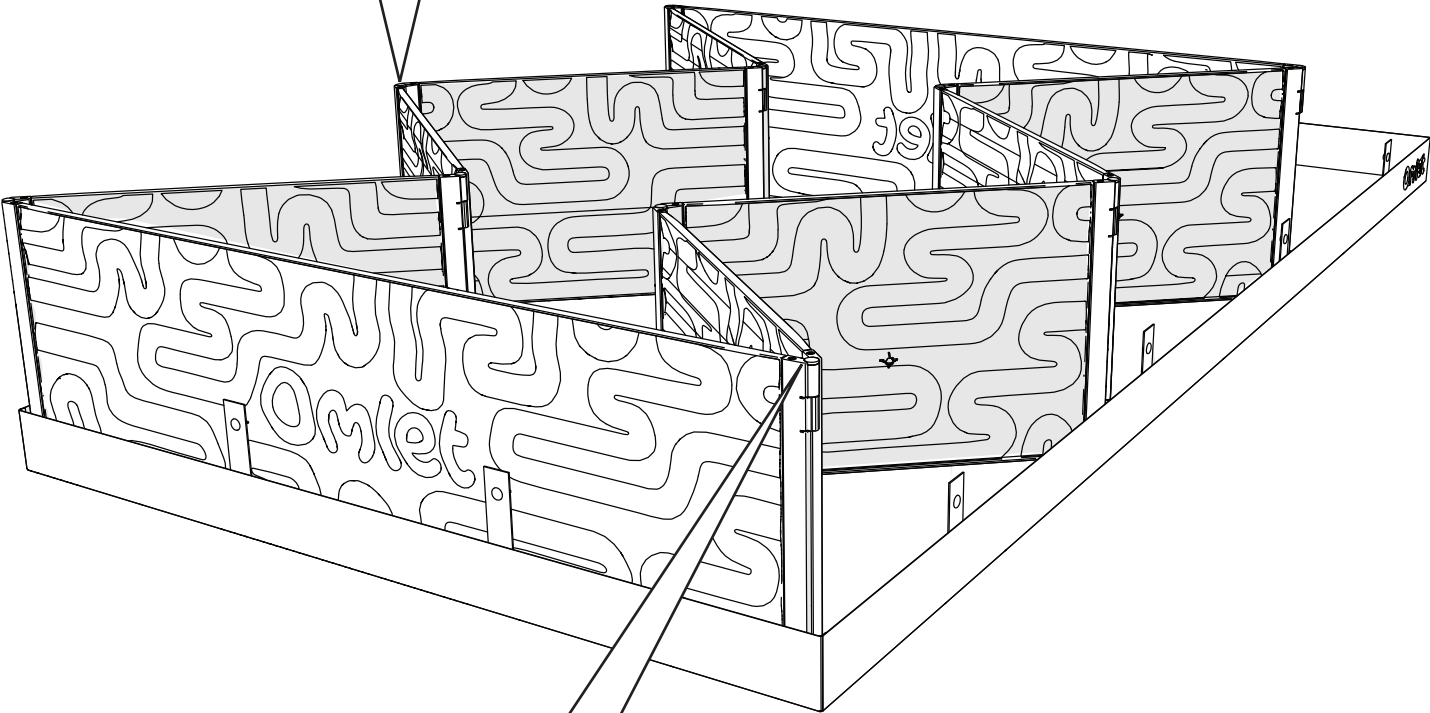
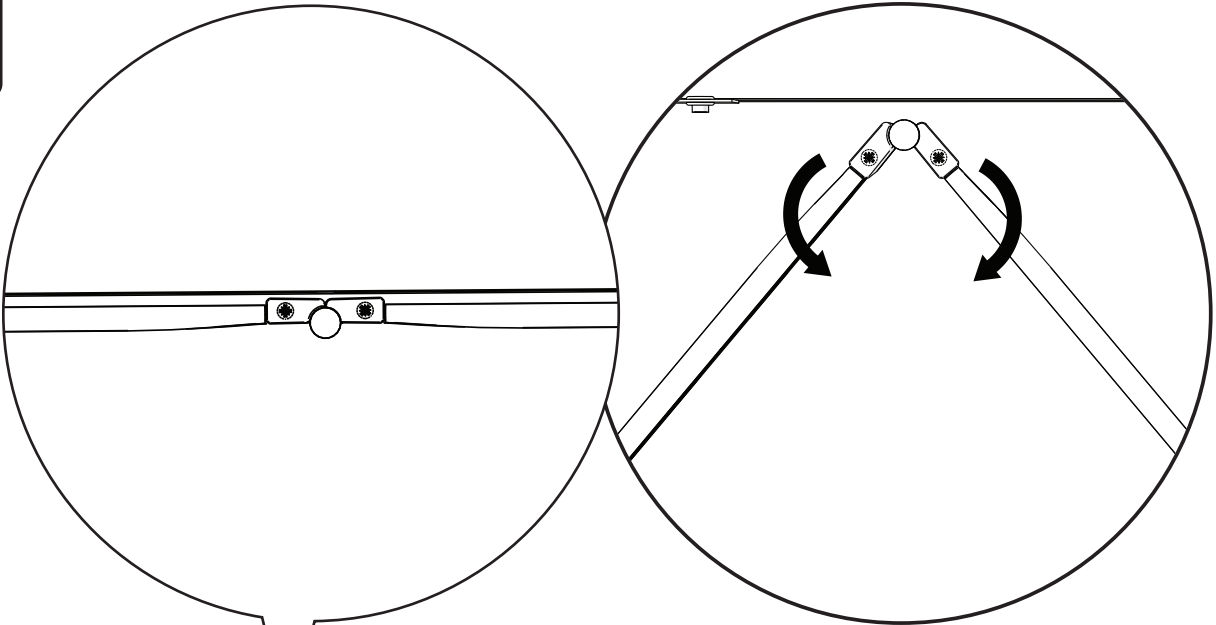


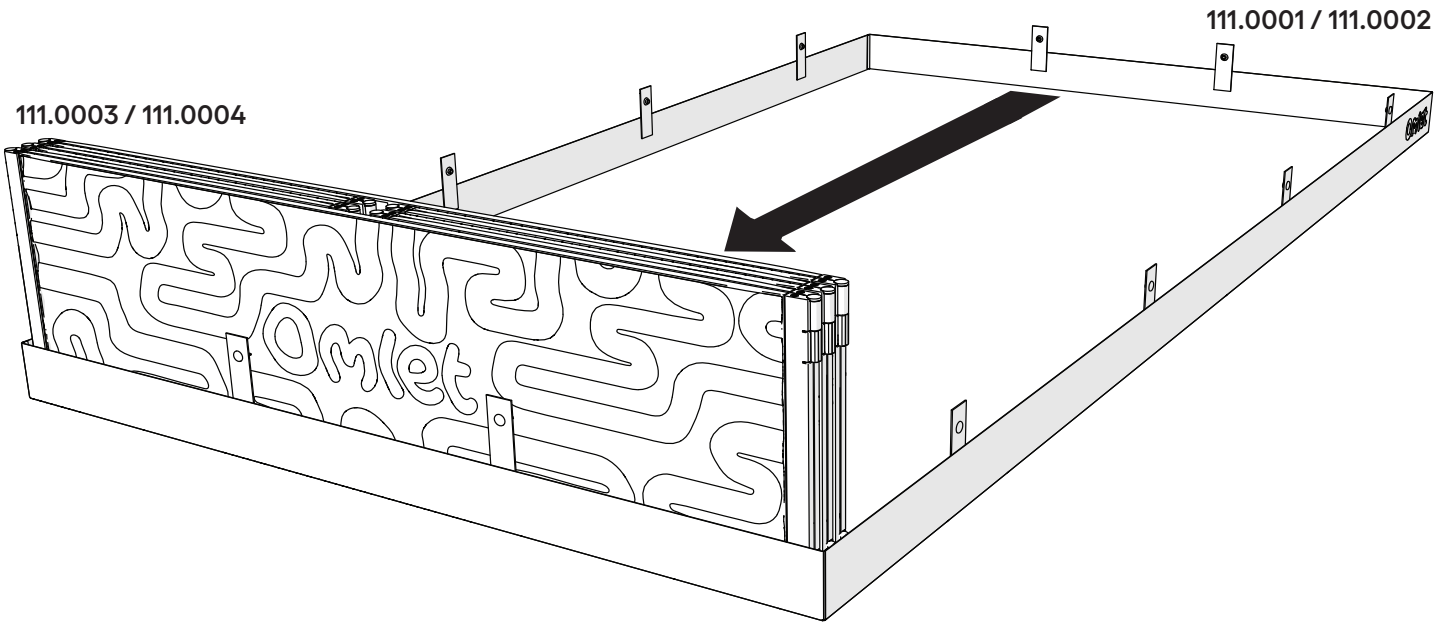
4

Playpen Disassembly



5

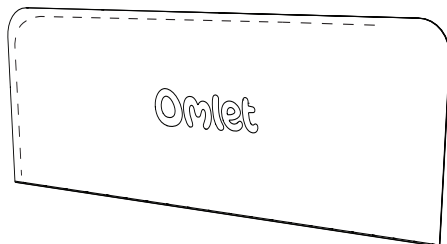




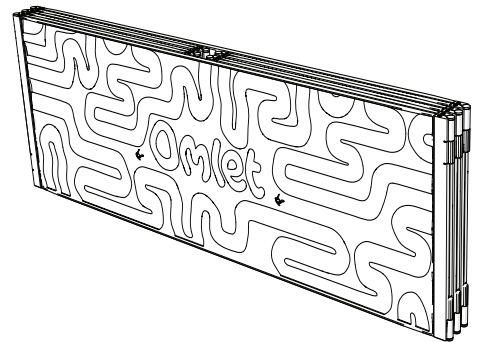
Use a pet safe disinfectant and soft cloth to clean.



Store your Playpen inside the Storage Sleeve.



111.1010



111.0003 / 111.1004

• DOs and DON'Ts •

DOs

- Give your pets access to fresh feed and water at all times.
- Disassemble the Playpen and clean the inside regularly.
- Remove the tunnels if you notice that your pets chew them. Putting tunnel connectors on the ends of the tunnels in the playpen can help!
- Supervise your children when playing with your pet and the product.

DON'Ts

- You need to supervise your pets at all times when they are using the tunnels in the playpen.
- You should not place your product in drafty, damp or wet conditions or in direct sunlight.
- Don't place tunnels too close to edge of playpen.

Omlet



Please
reuse &
recycle.

© Copyright Omlet Ltd. 2025
Design Registered, Patent Pending
Omlet is a Registered Trademark of Hebe Studio Ltd.
820.3260 Instruction Manual Playpen 07/01/2025



5 055358 858174