



Assembly, Operation and Pet Care Manual

PLEASE READ CAREFULLY before making and using your Qute



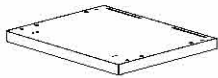
What should I do
with the packaging?

If your Qute arrived by courier, please remember to retain all the packaging it arrived in. In case you wish to return the Qute or any part of the Qute, it must be sent back in the original packaging.

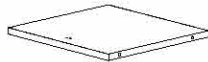
What you have received



Single Storage Base Panel
015.1072
x1



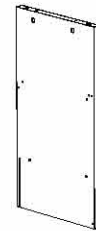
Single Top Panel
015.1058
x1



Shelf Panel
015.1062
x1



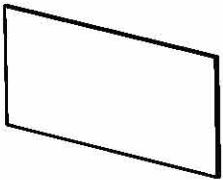
Side Panel Left
015.1093
x1



Side Panel Right
015.1094
x1



Storage Door
015.1064
x1



Storage Rear Panel
015.1067
x1



Front Mesh & Door Assembly
015.0047
x1



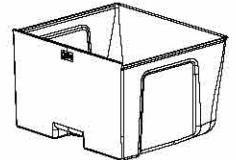
Mesh Panel Rear
015.1044
x1



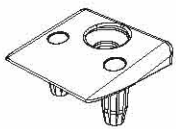
Mesh Floor Assembly
015.0035
x1



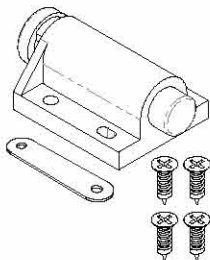
Pivot Bar
015.1029
x2



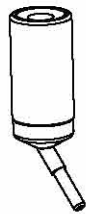
Bedding Tray Assembly
015.0029
x1



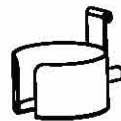
Bedding Tray Lock Catch
015.1109
x1



Magnetic Catch Kit
800.0088
x1



Water Bottle
015.1019
x1



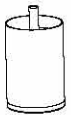
Water Bottle Retainer
015.0039
x1



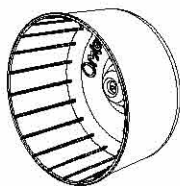
Fixing Plate
015.1115
x1



Wing Nut M6
015.1098
x1



Foot
015.1006
x4



Large Exercise Wheel
015.0031.0001
x1



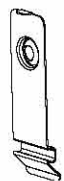
Tube Half
015.1124
x2



Tube Ring Large
015.1122
x1



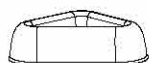
Tube Ring Small
015.1125
x1



Wire Connection Cup
015.1028
x2

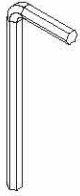


Cam Cover Bung
015.1050
x1



Food Bowl
015.1117
x1

Fixings



Allen Key
810.0080
x1



Connecting Bolt
800.0073
x4



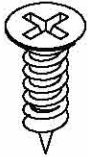
Pivot Dowel
800.0079
x8



Ø8 x 30mm Wooden Dowel
800.0070
x12



Cam Lock
800.0078
x4



No 8 x 1/2" Screw
800.0077
x3

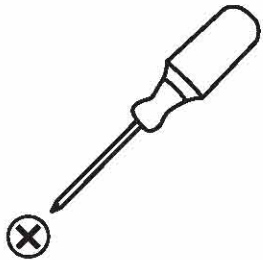


Spring Ø4.8 x 10mm
800.0081
x4



Furniture Screw
800.0089
x4

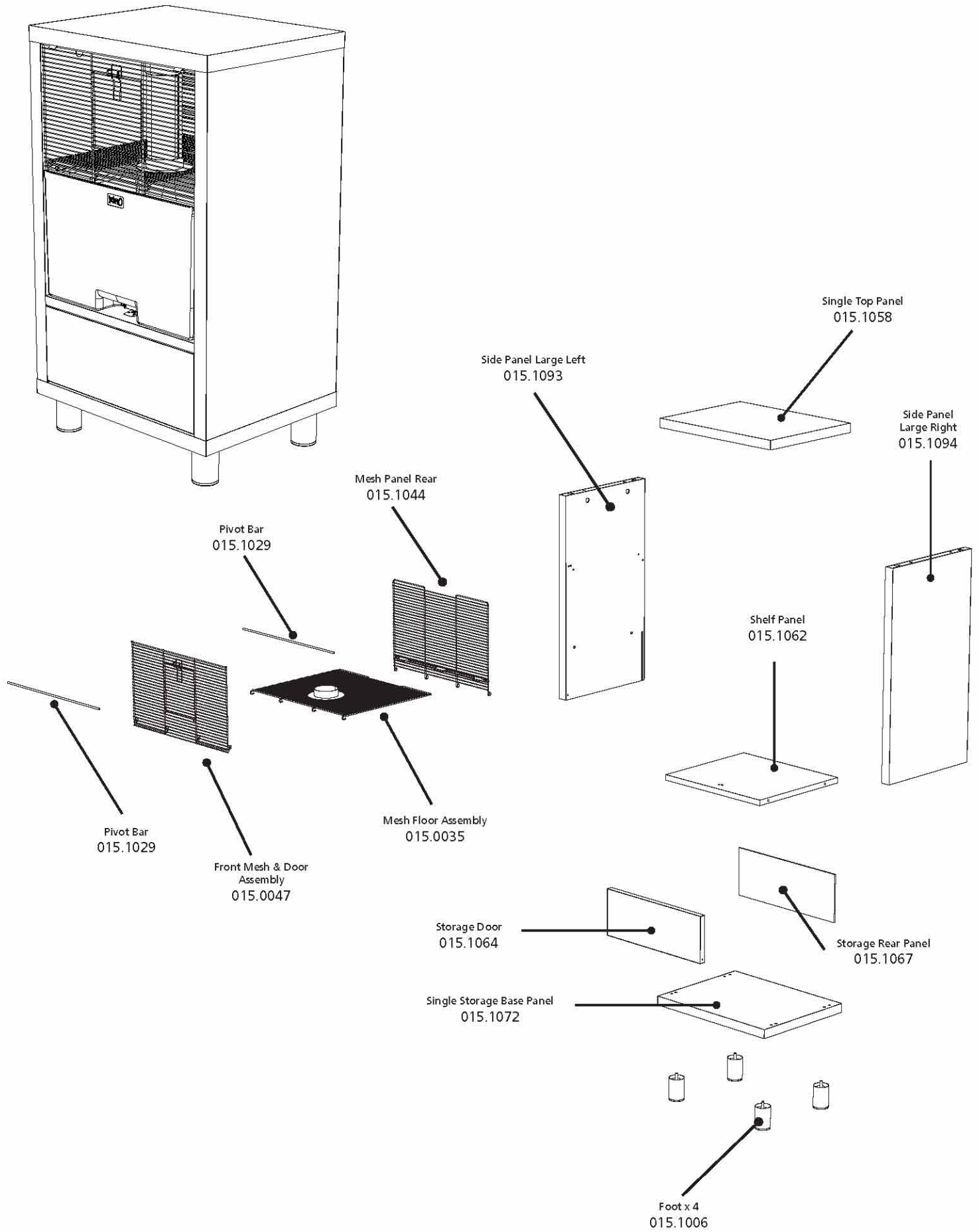
You will also Need



Phillips Screwdriver

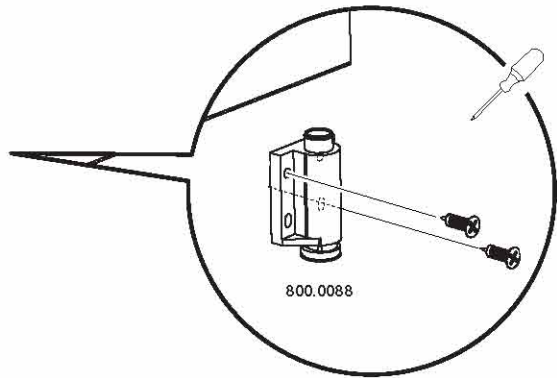
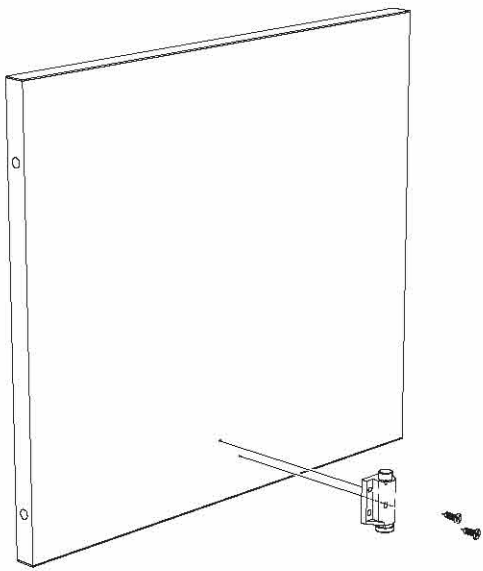


Hammer

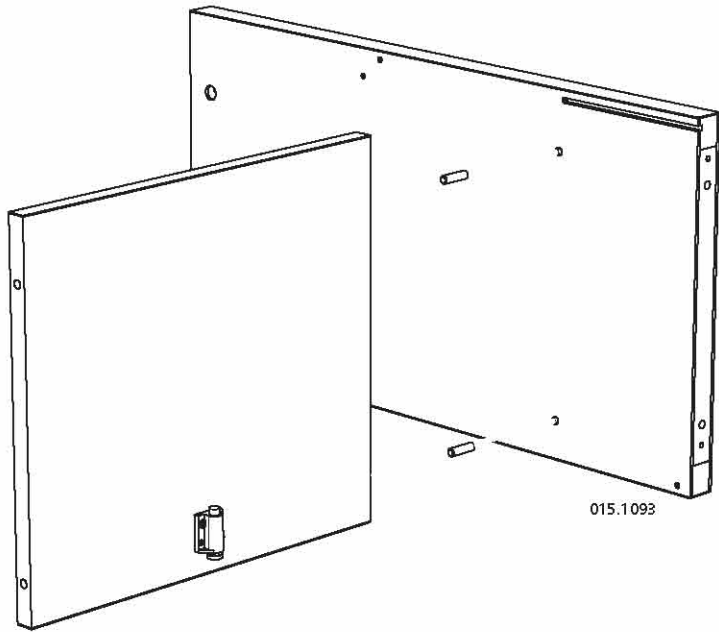


1

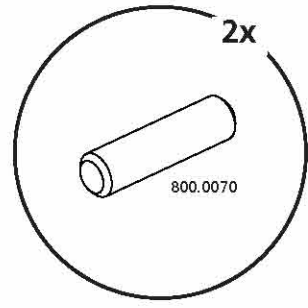
015.1062



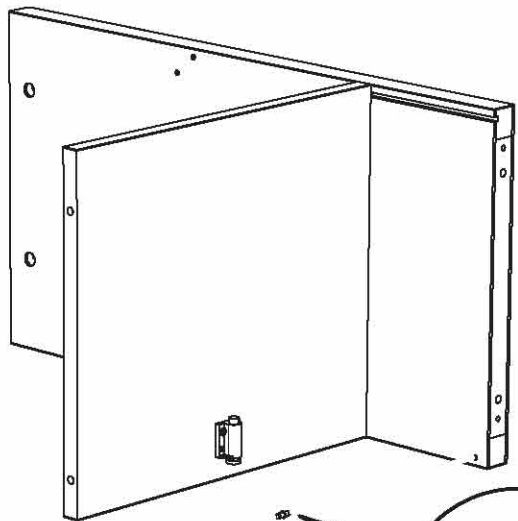
2



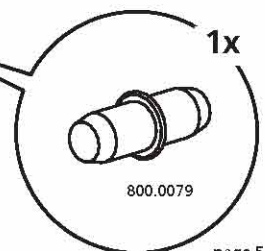
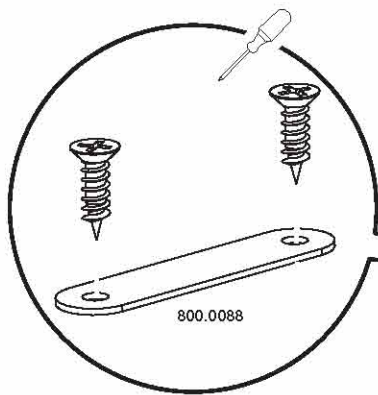
015.1093



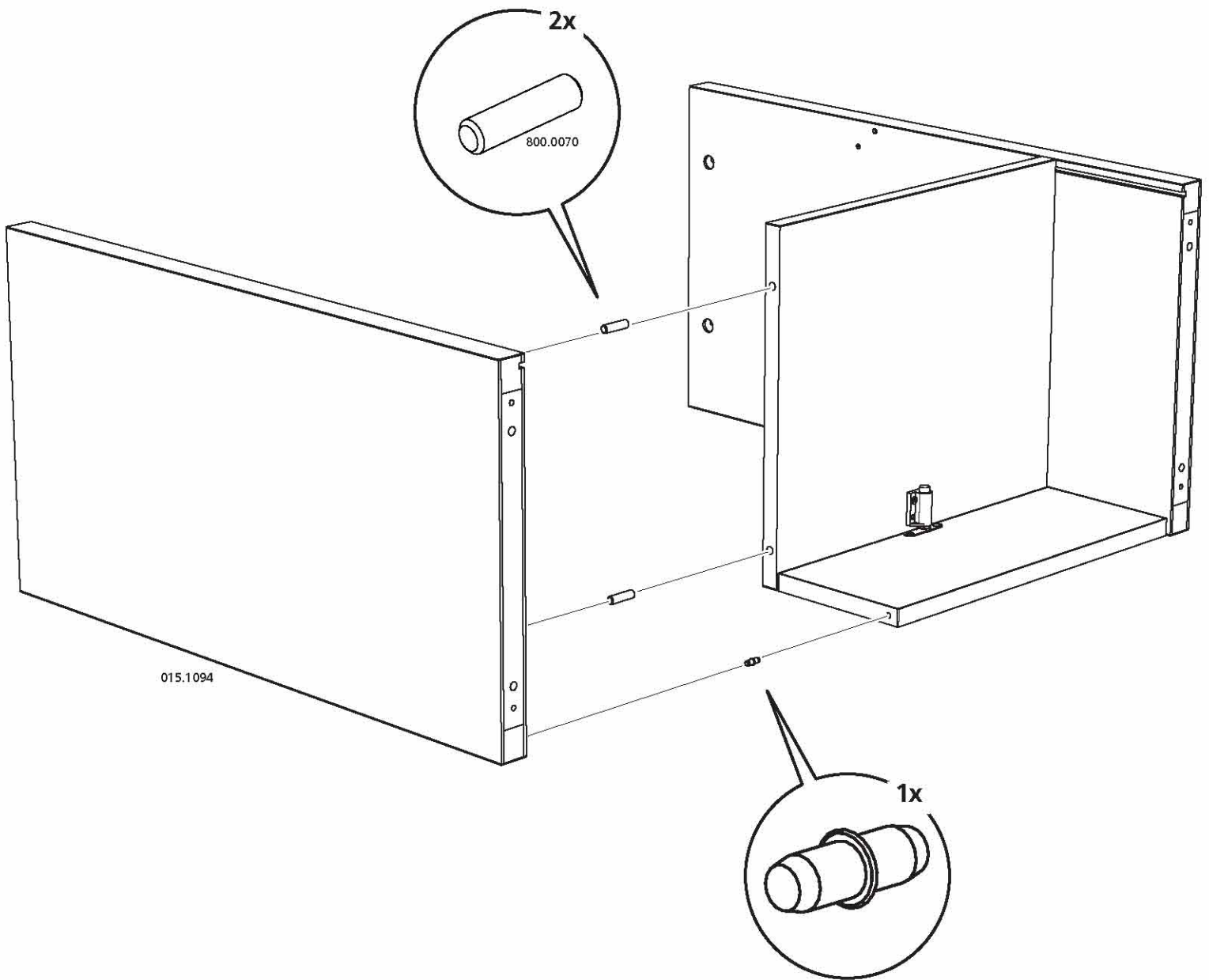
3



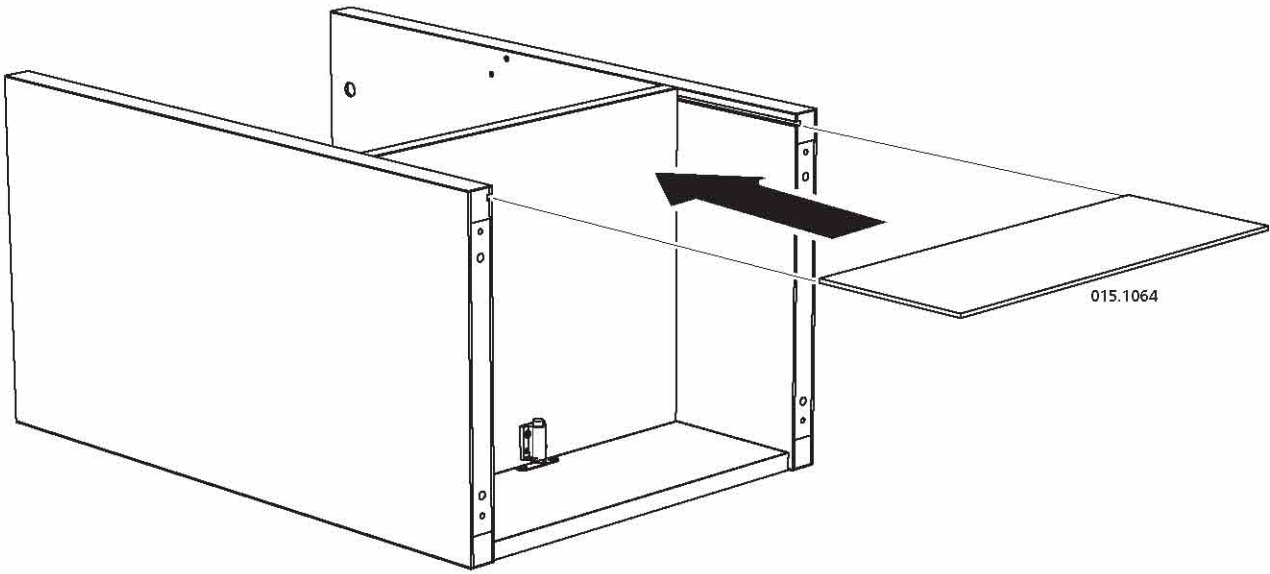
015.1067



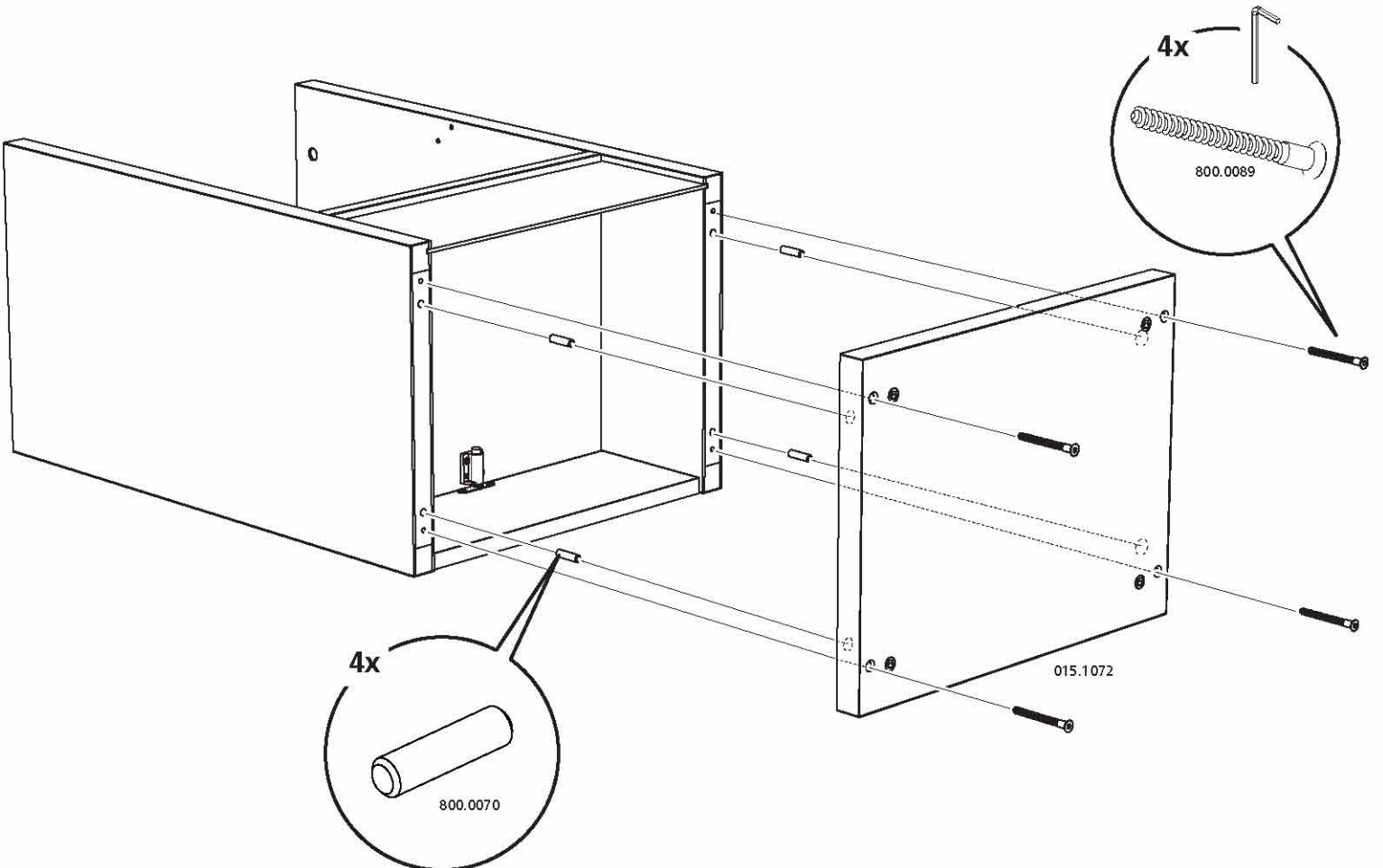
4



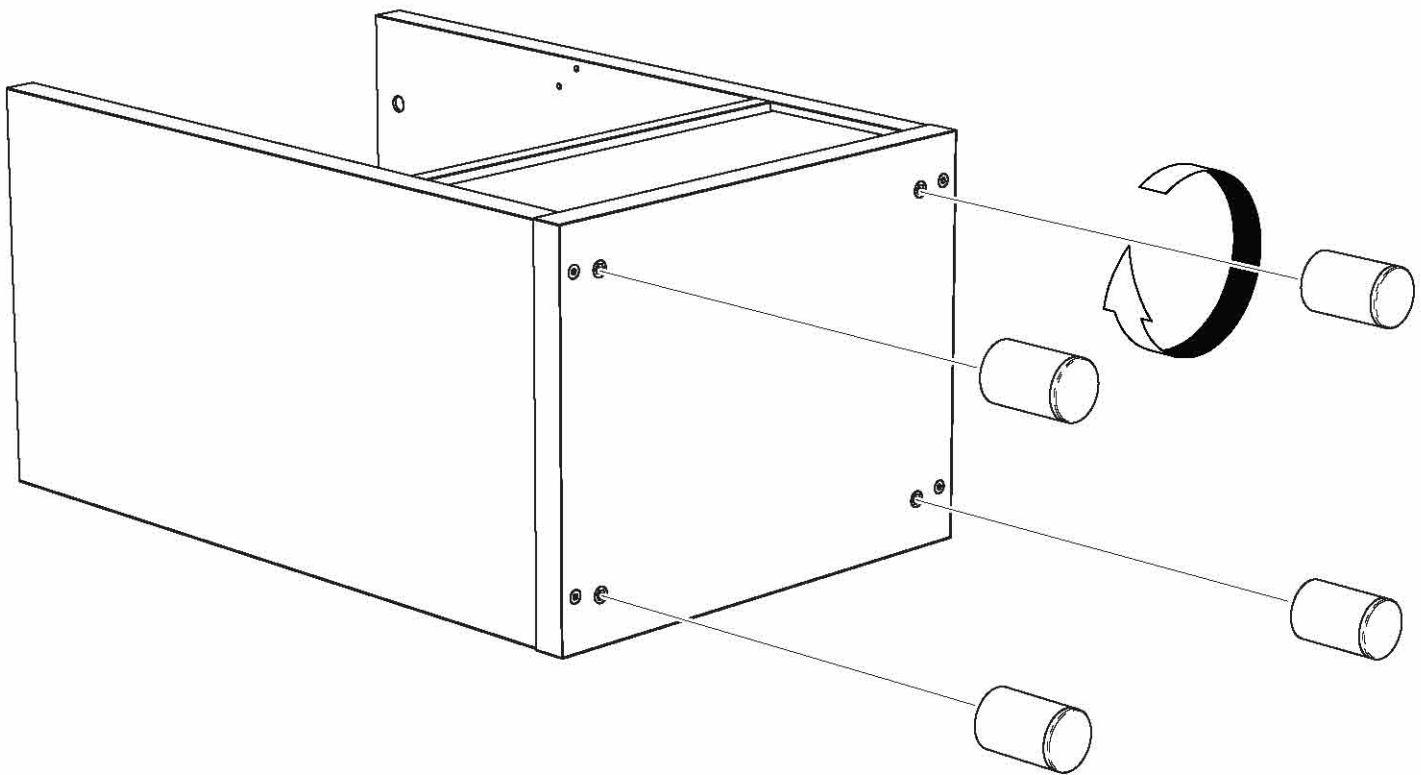
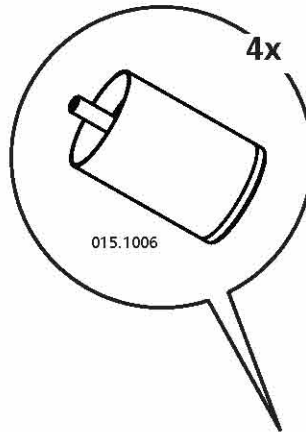
5



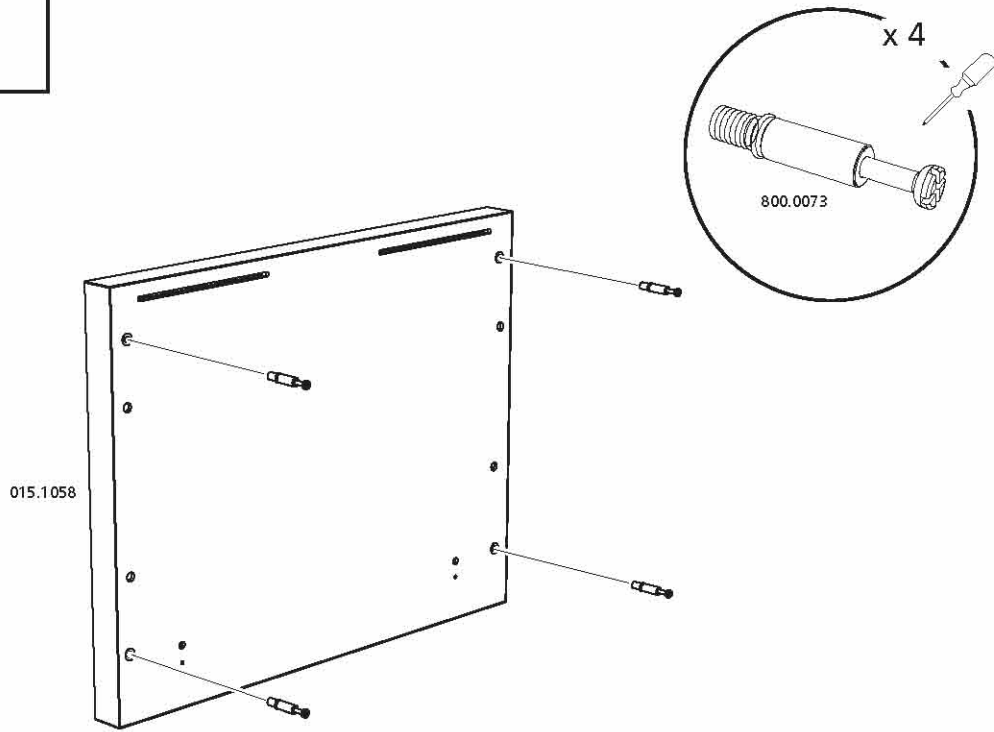
6



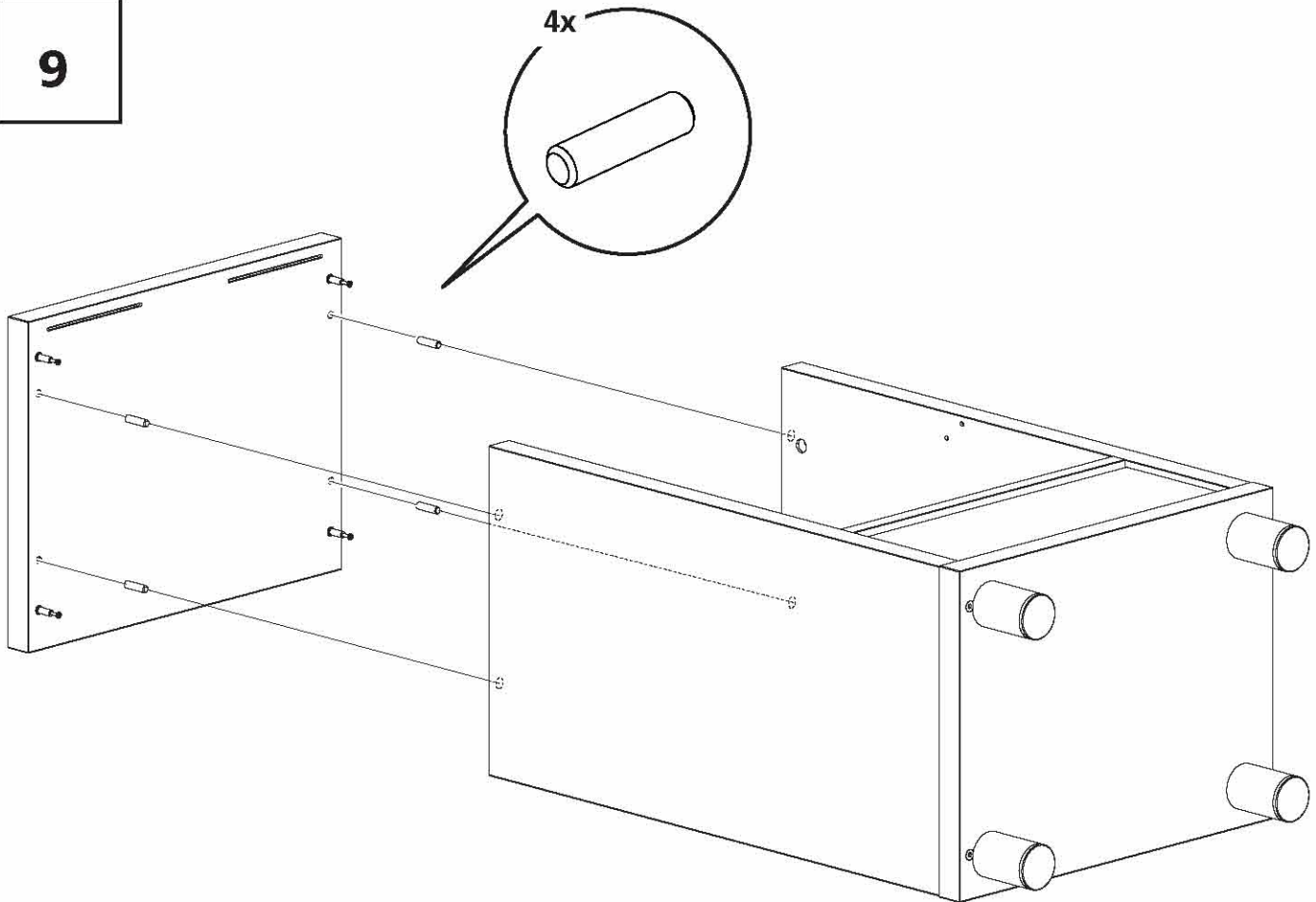
7



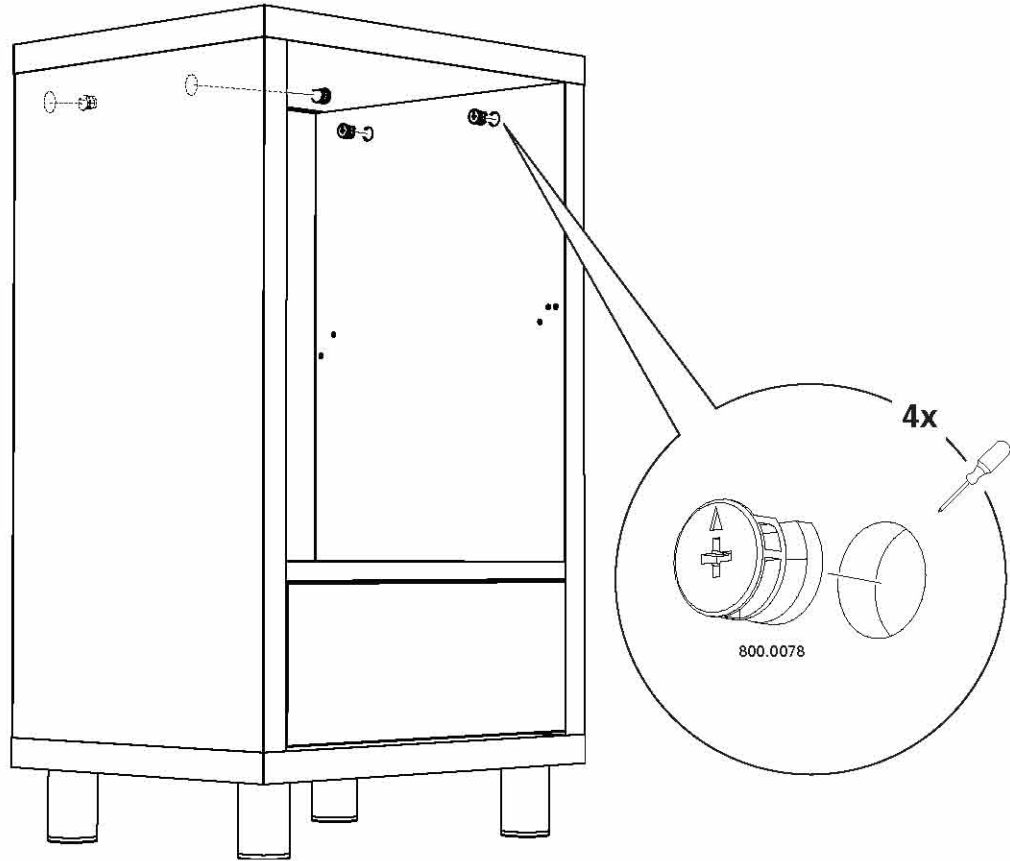
8



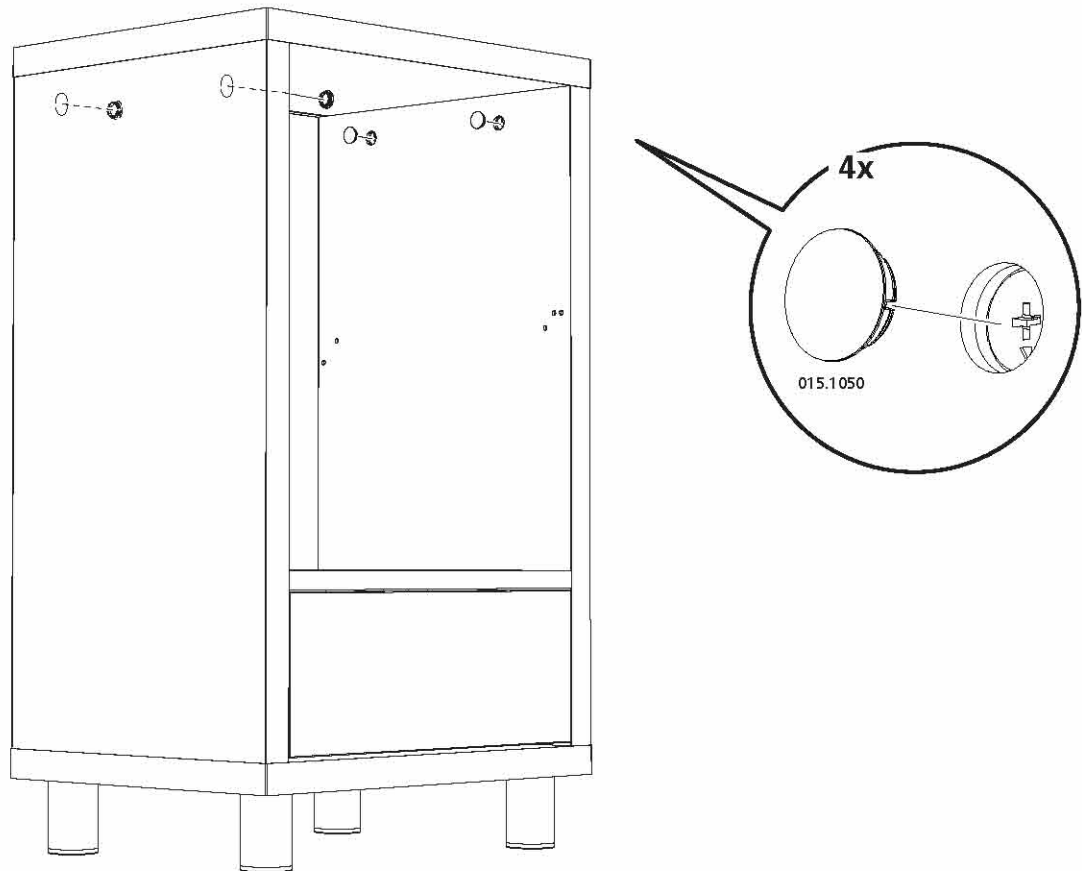
9



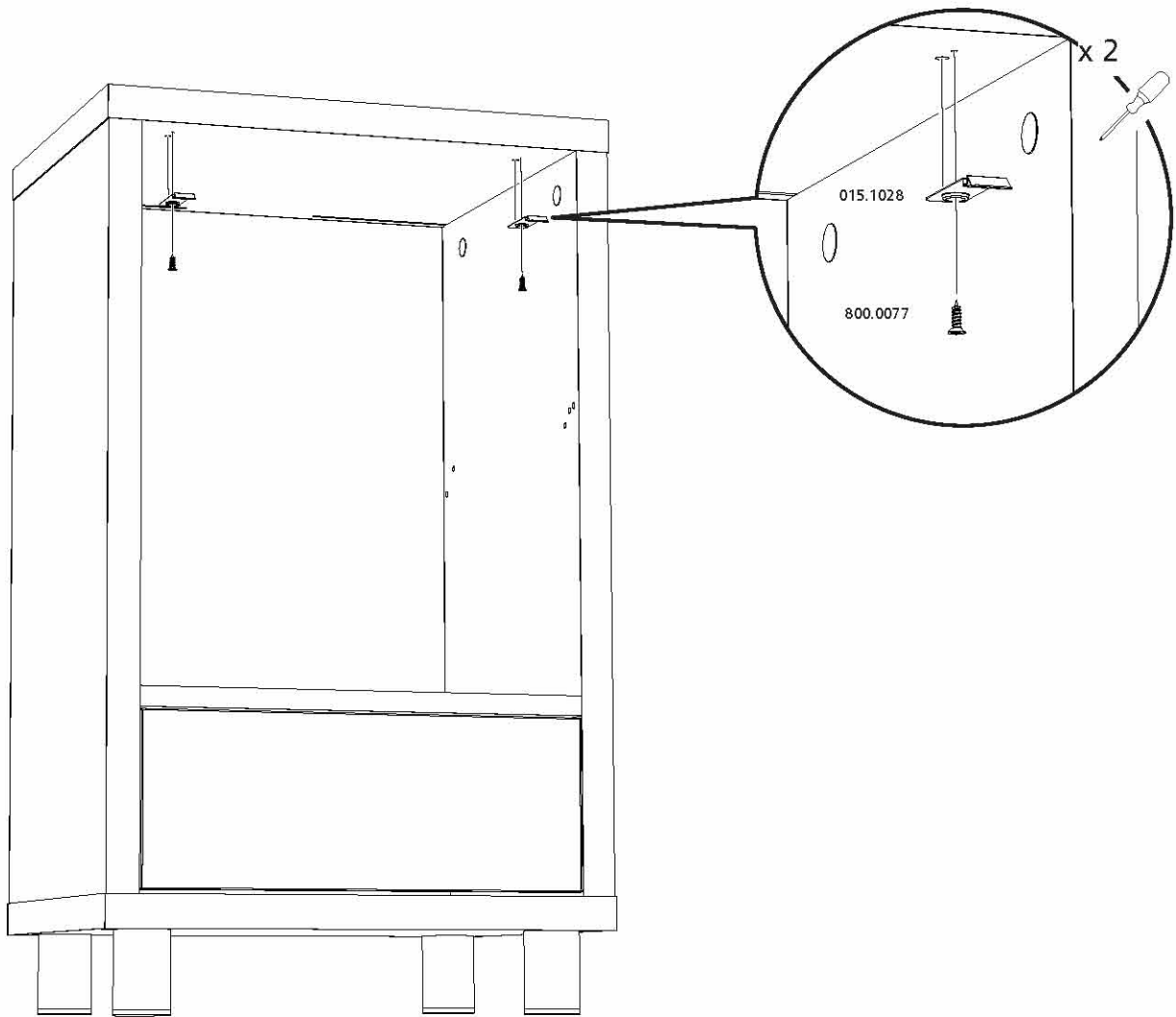
10



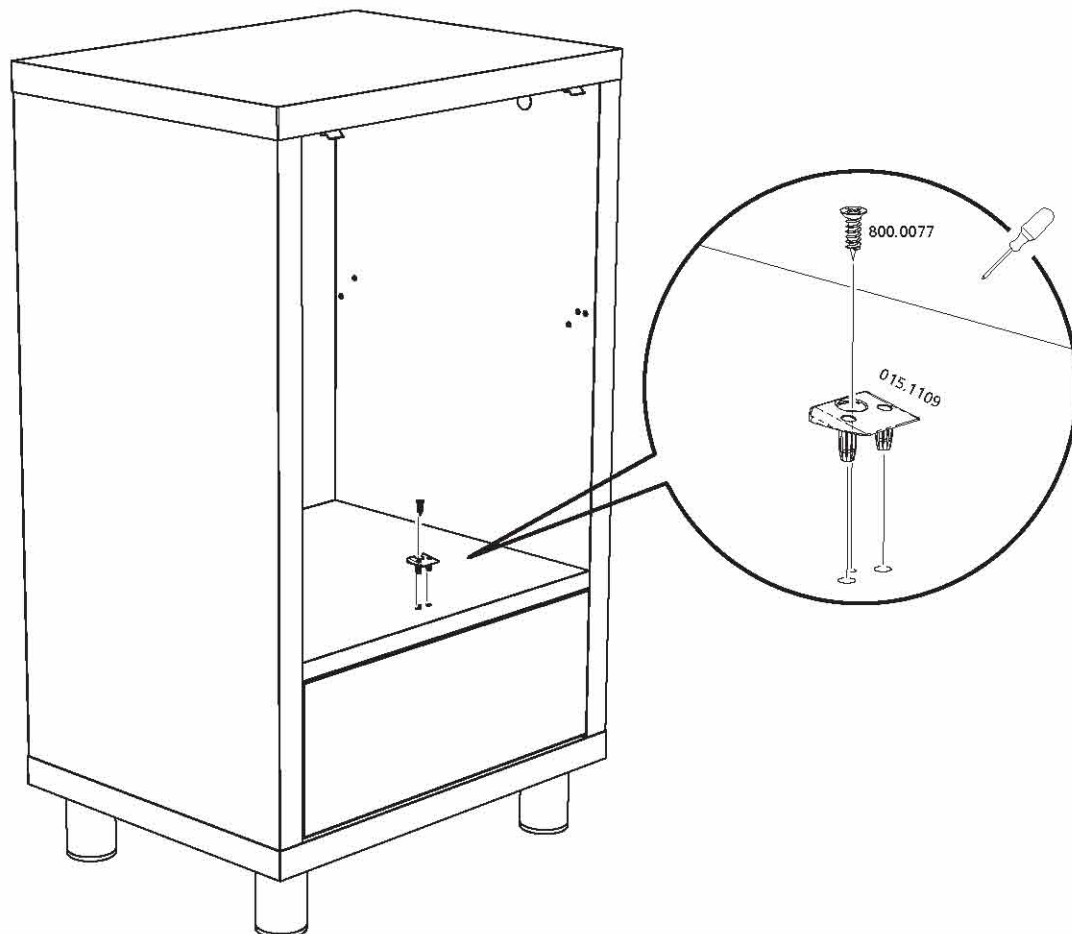
11



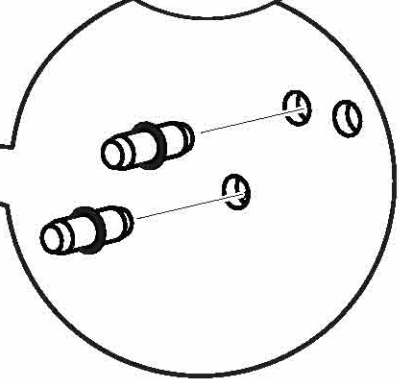
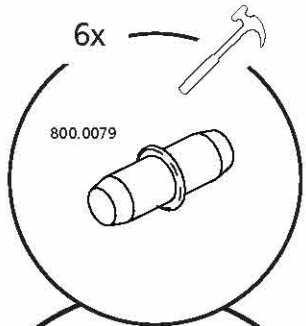
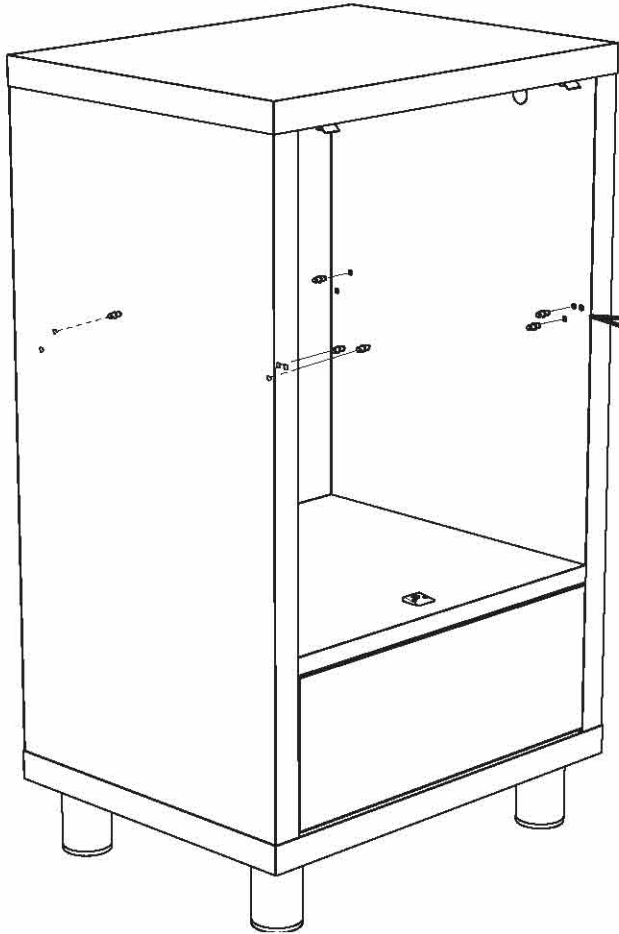
12



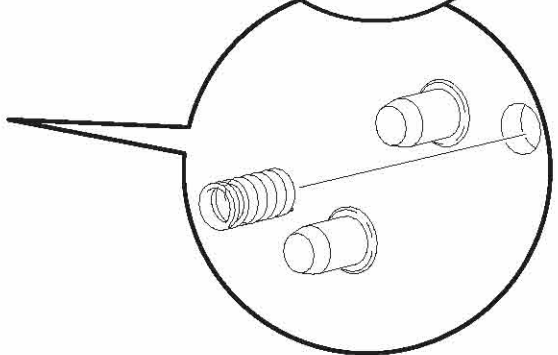
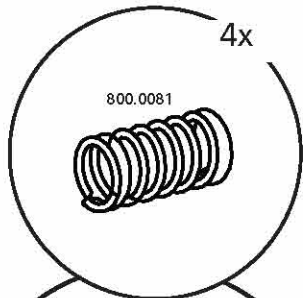
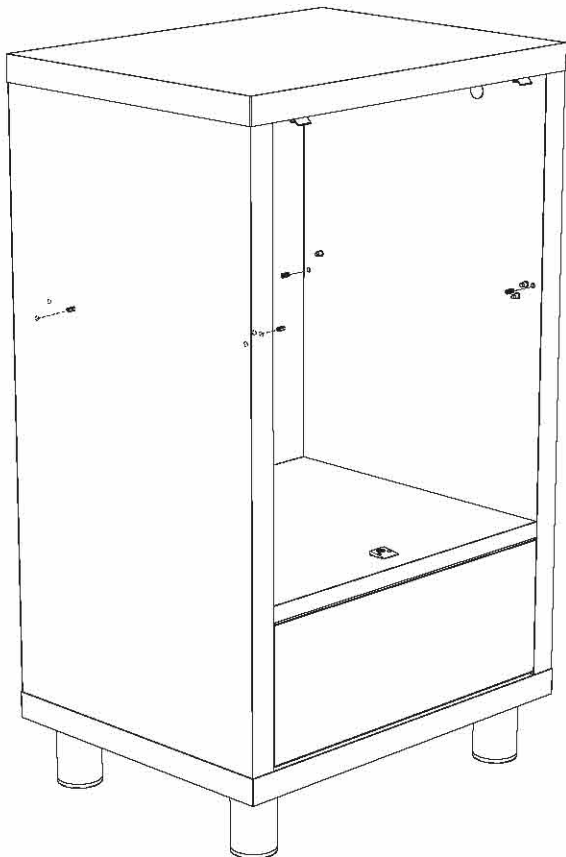
13



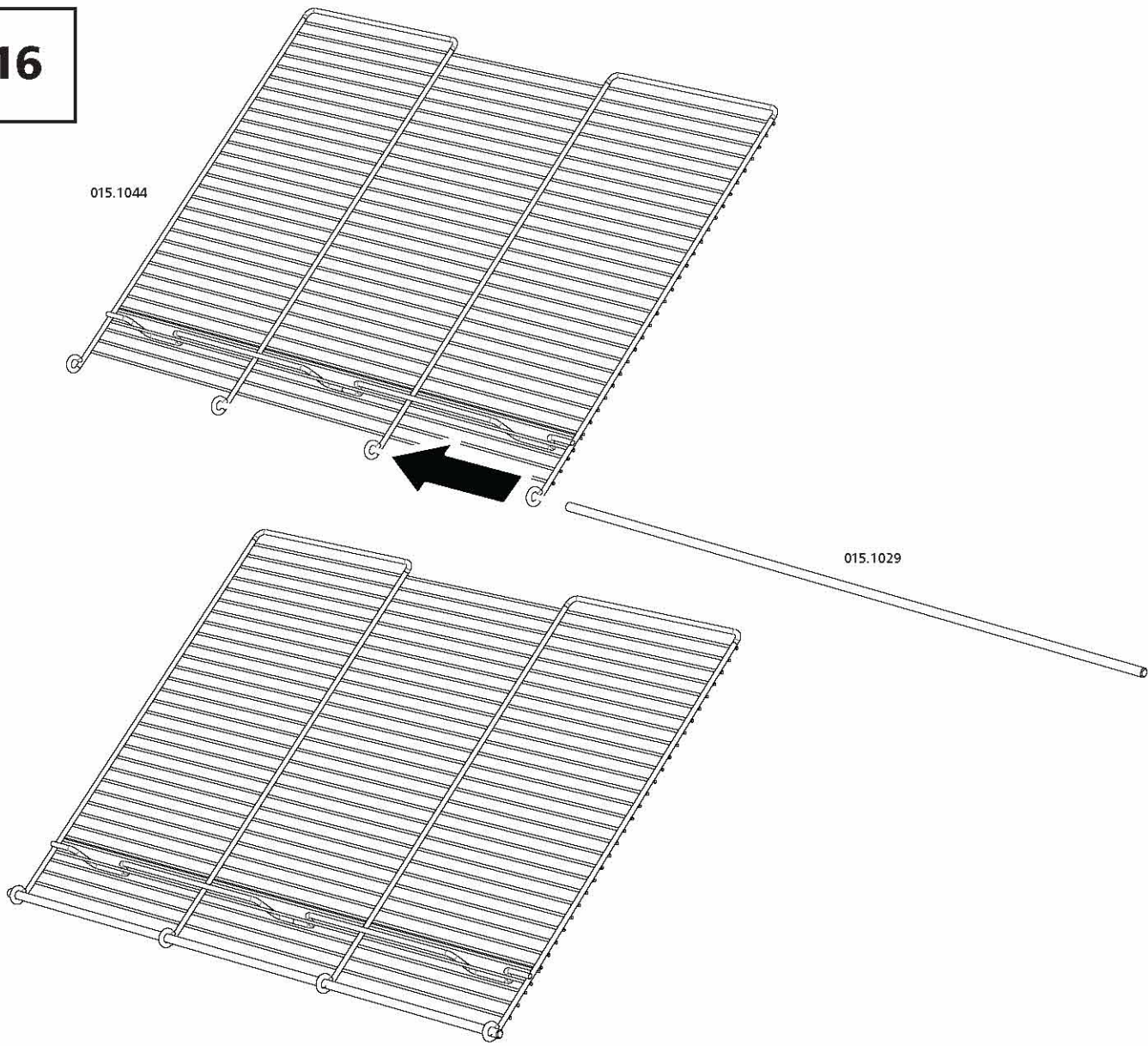
14



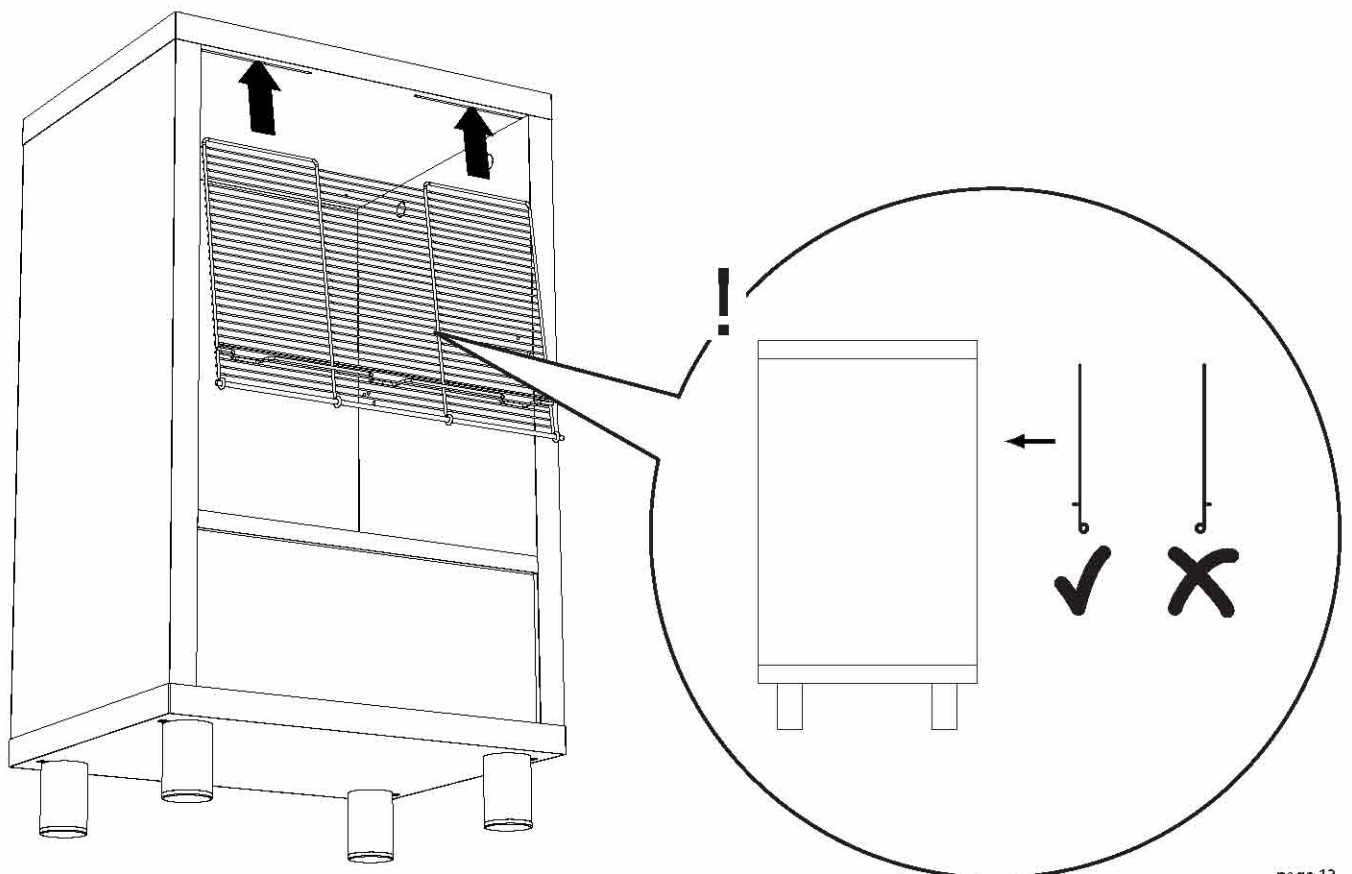
15



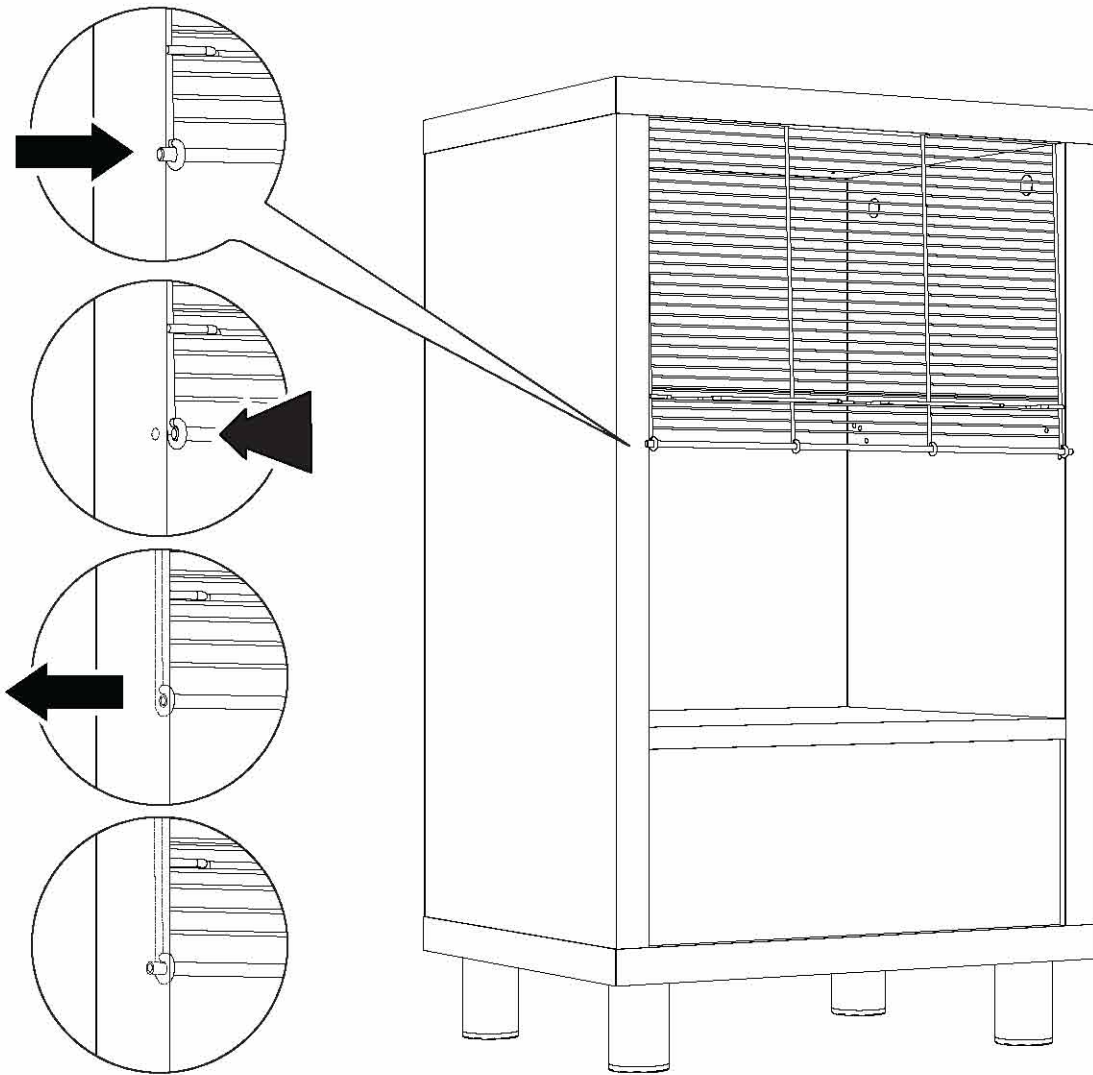
16



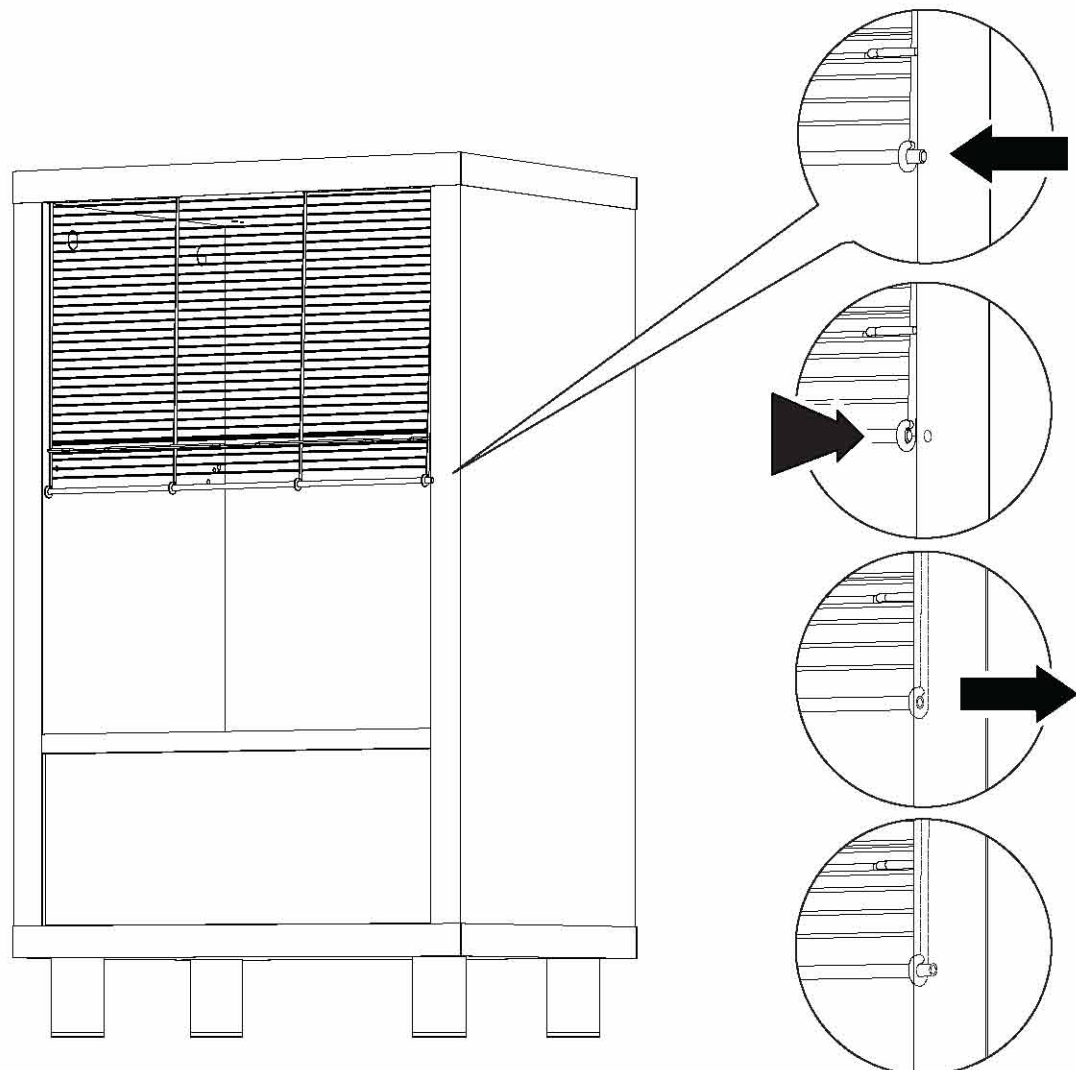
17



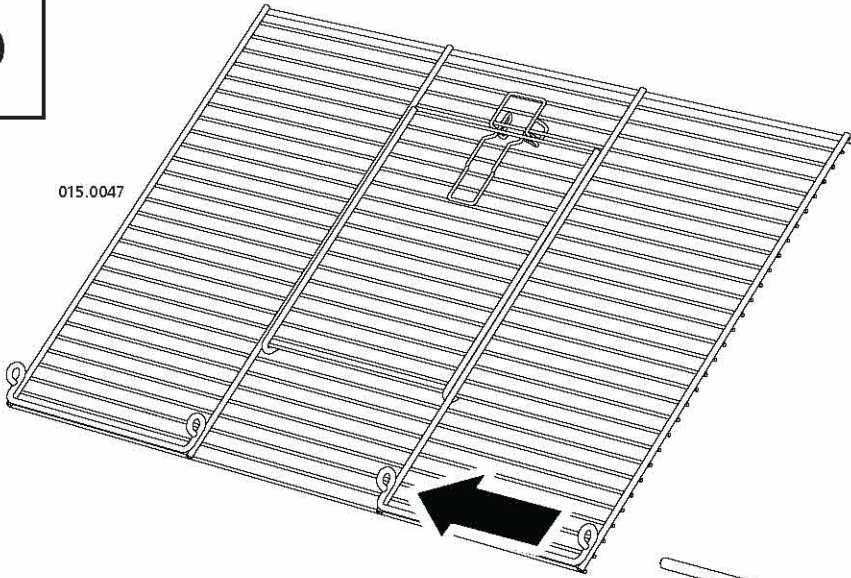
18a



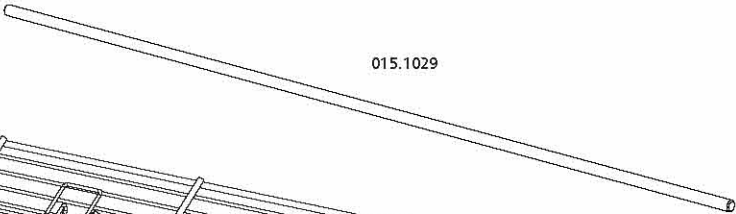
18b



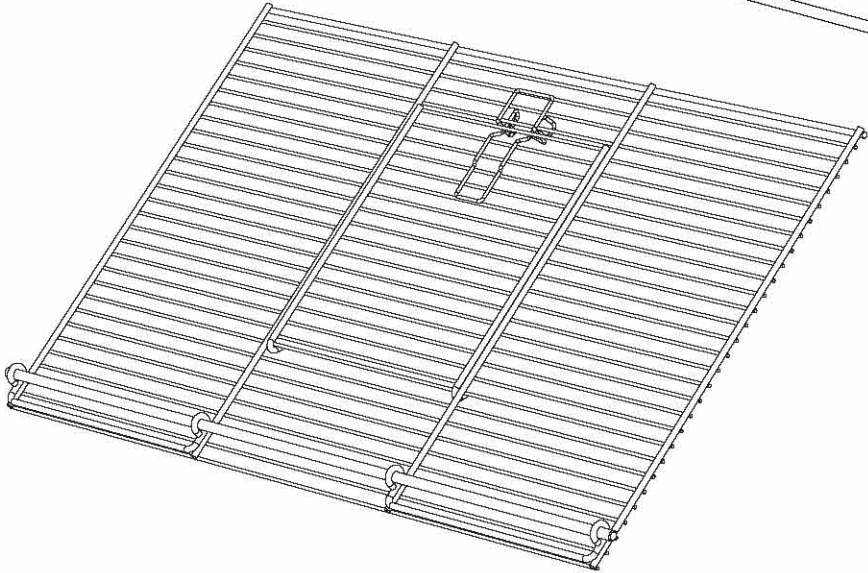
19



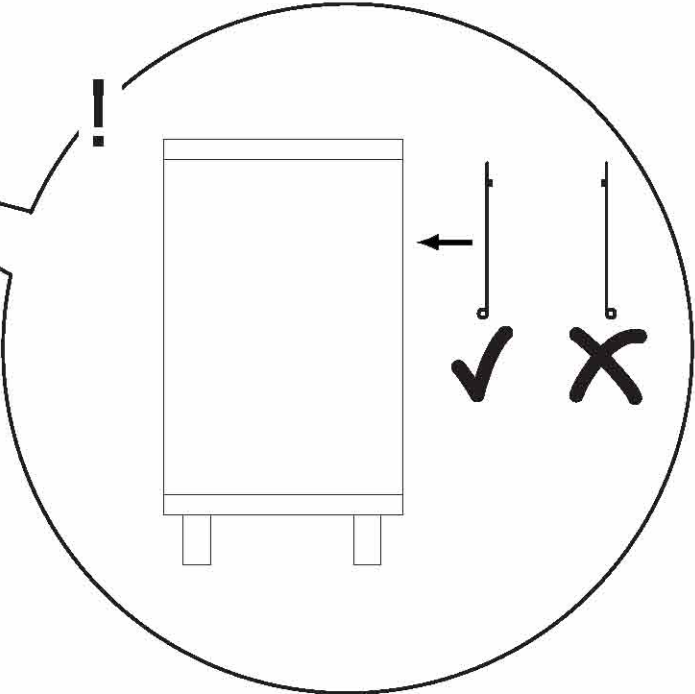
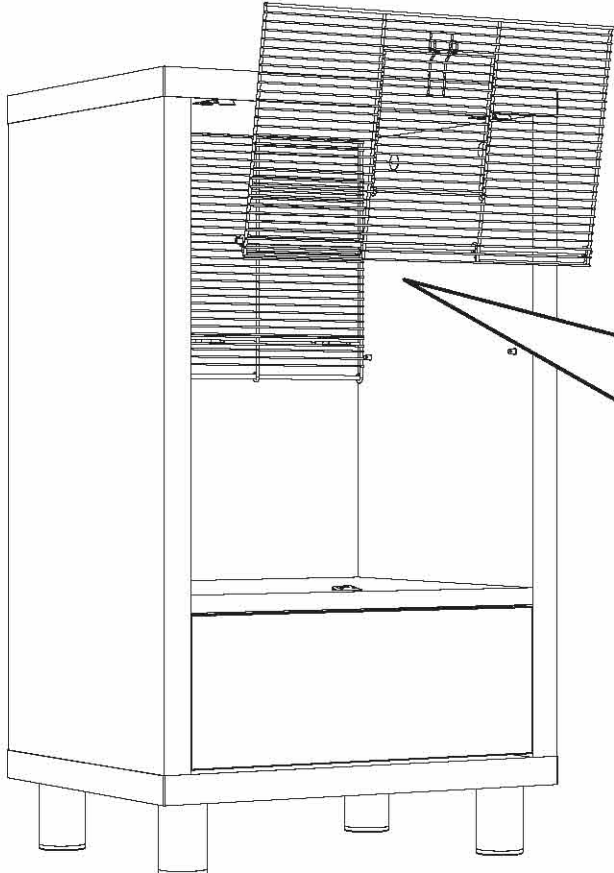
015.0047



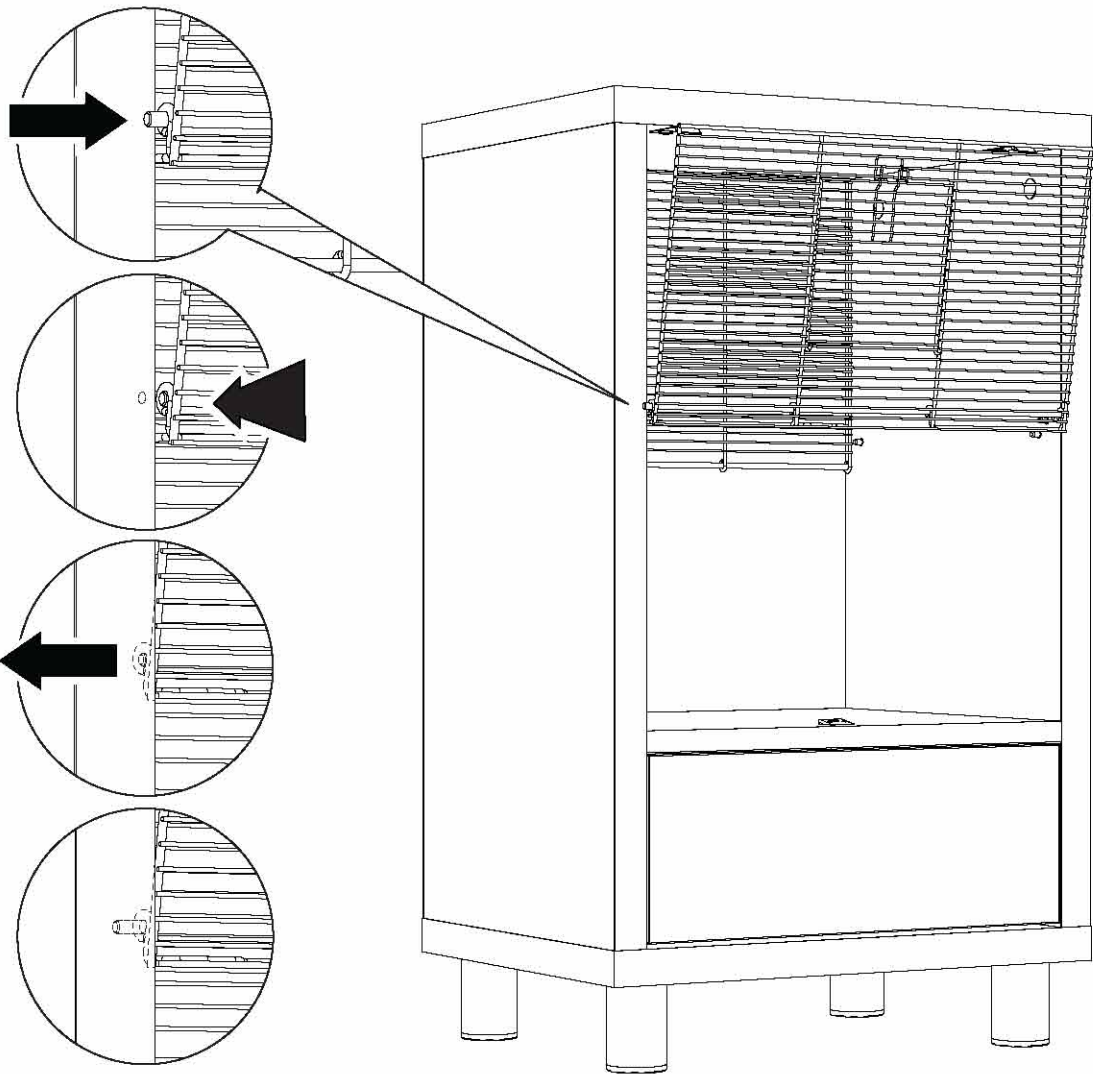
015.1029



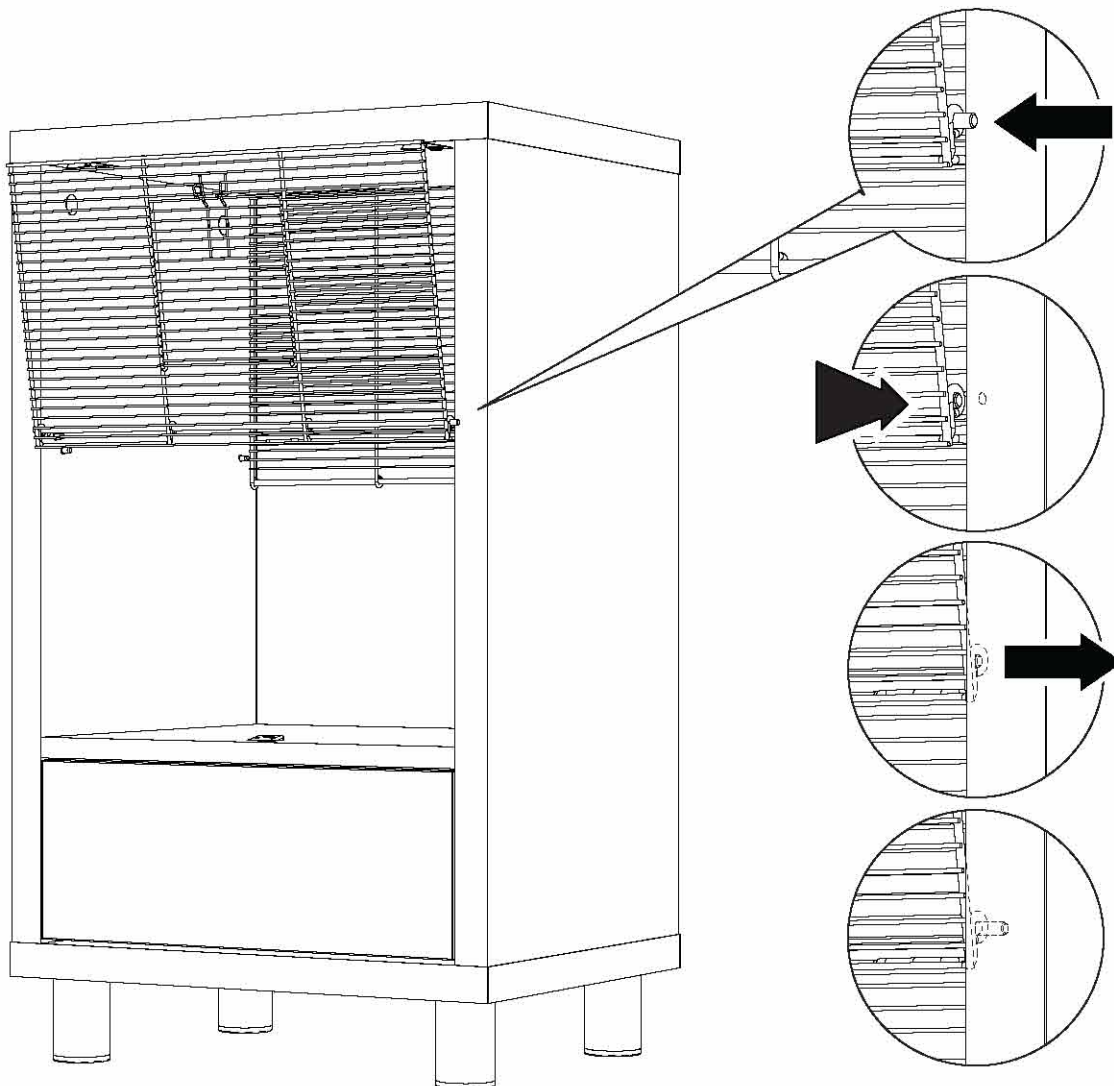
20



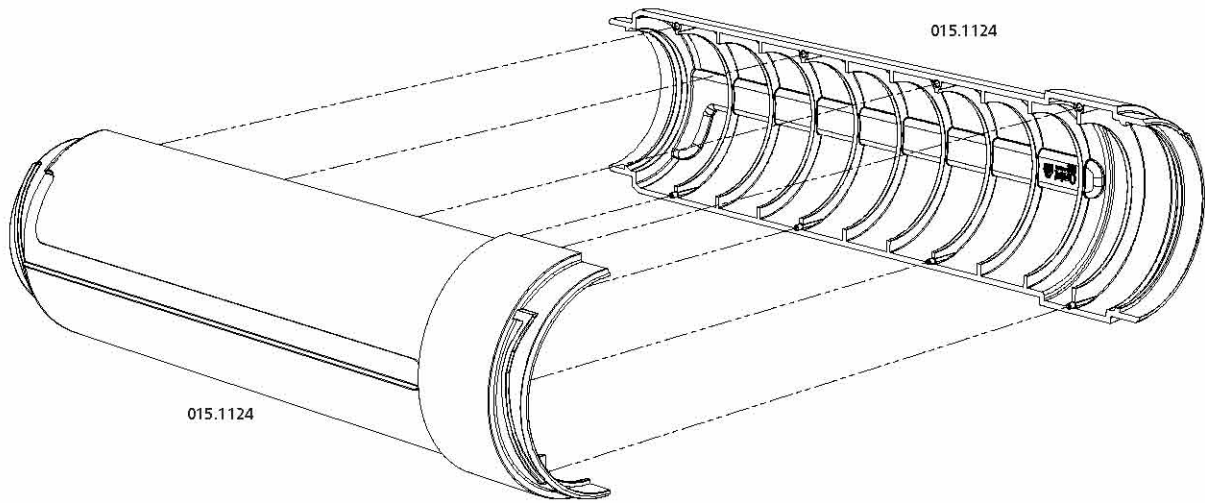
21a



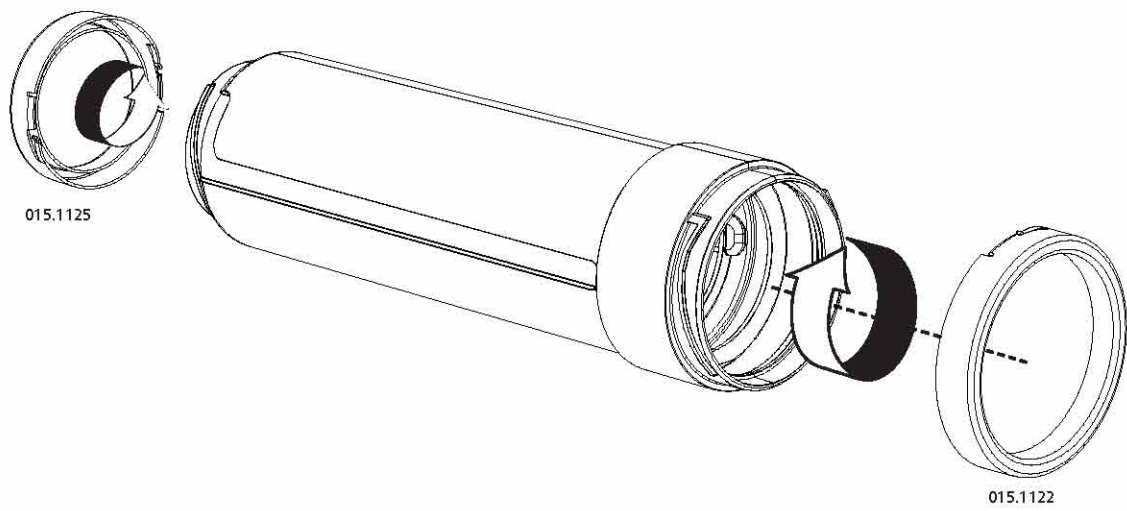
21b



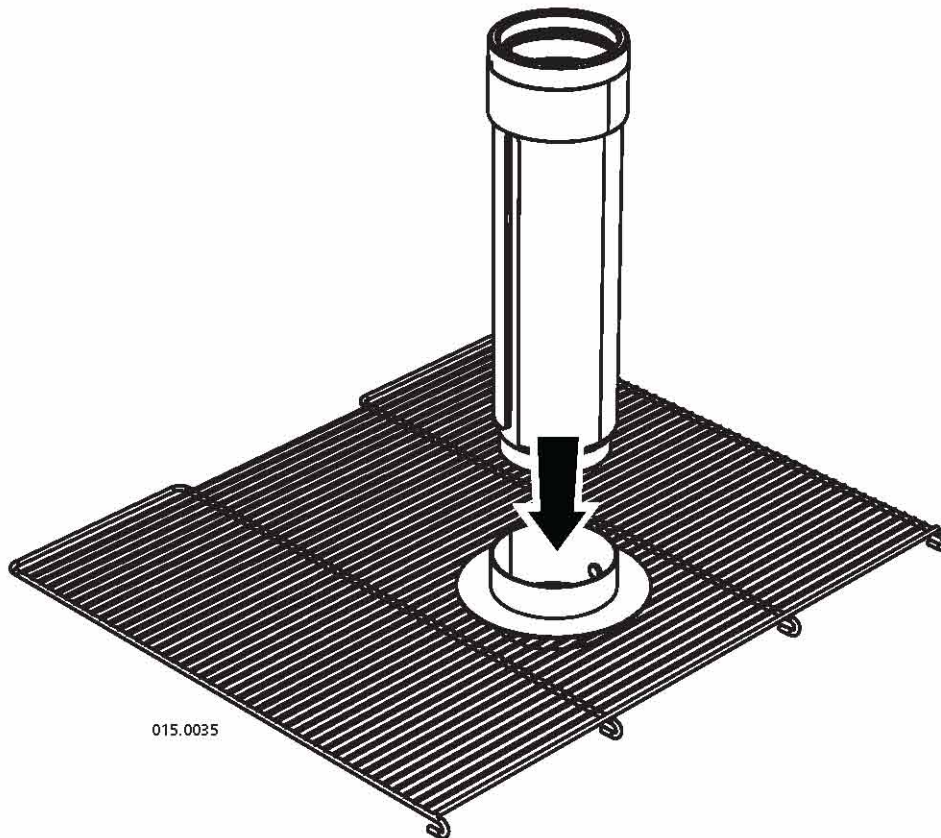
22

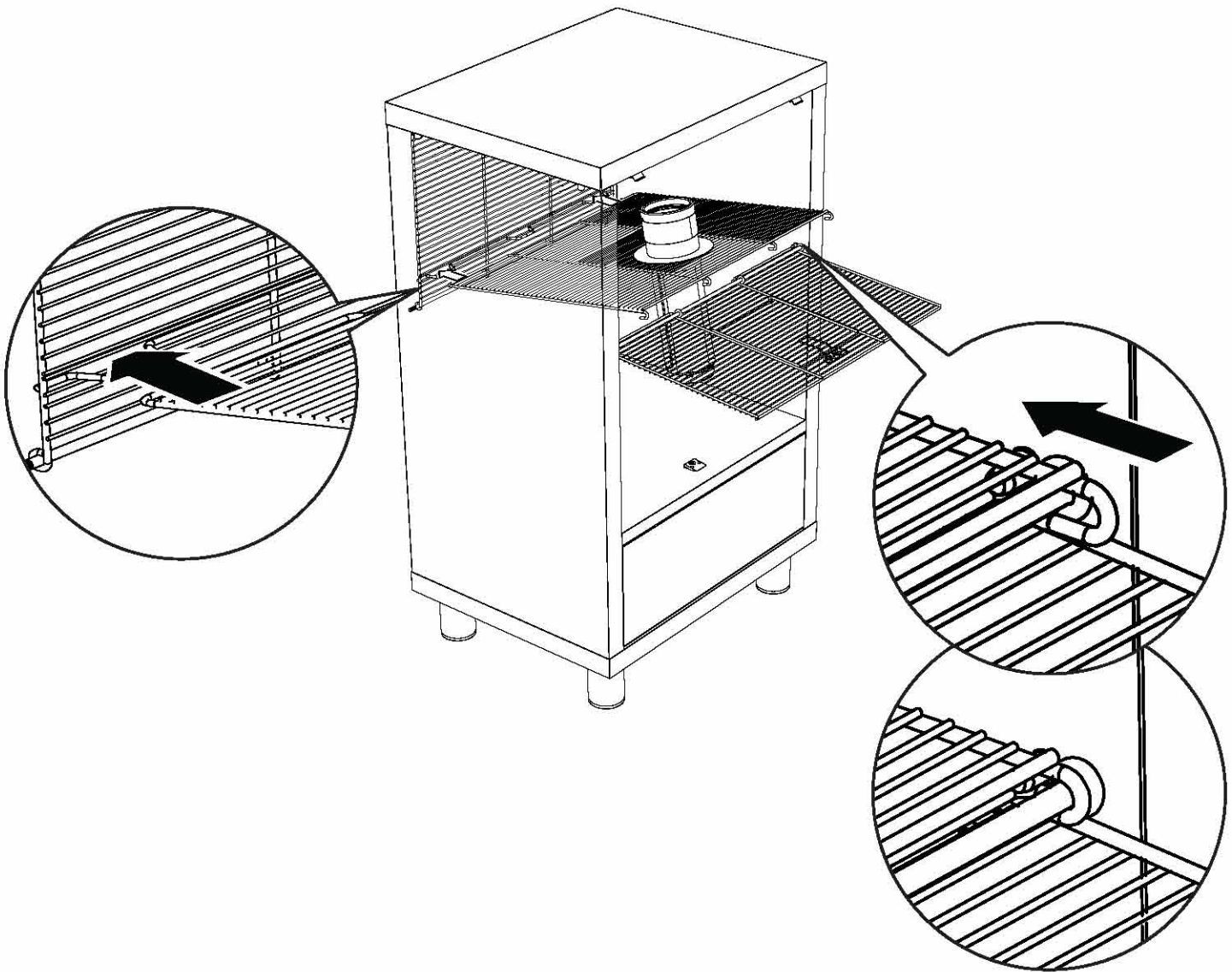
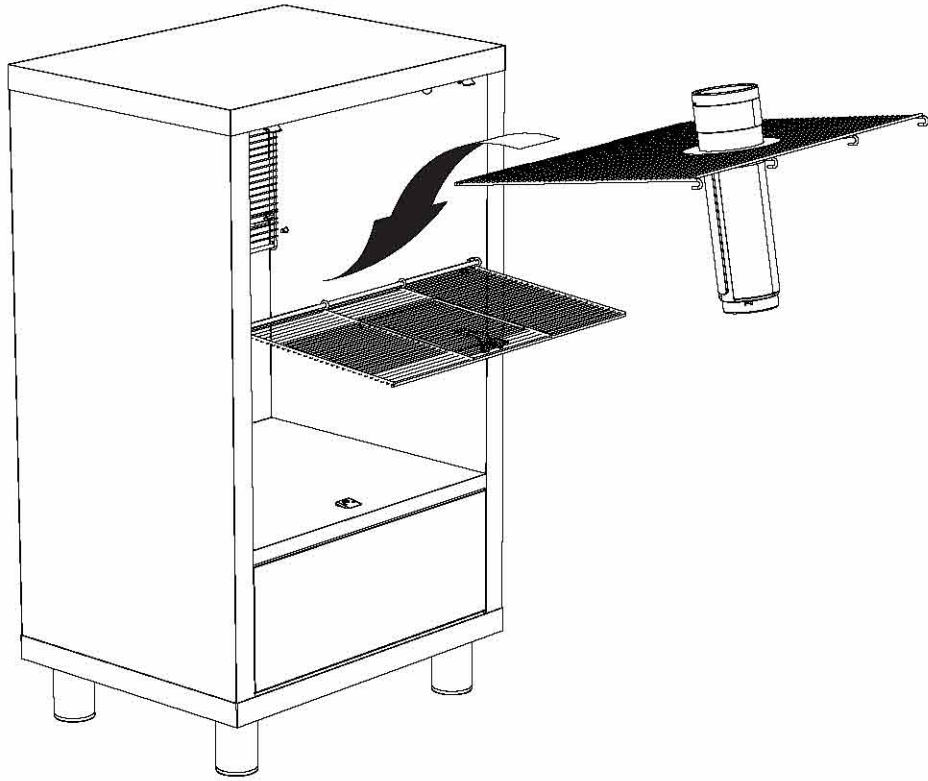


23

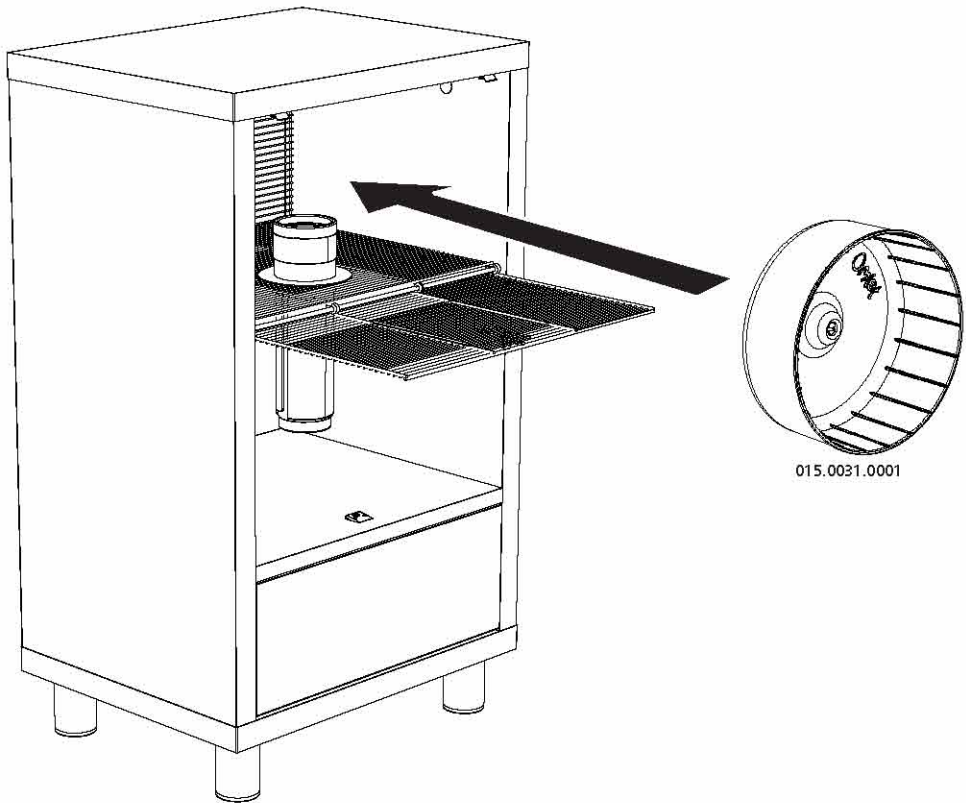


24

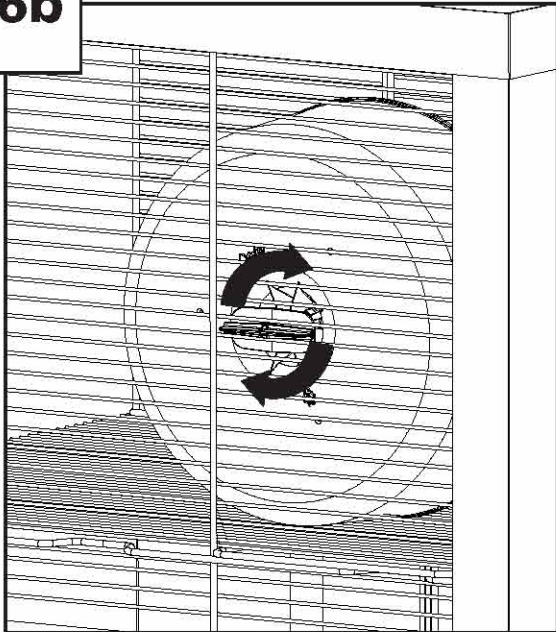




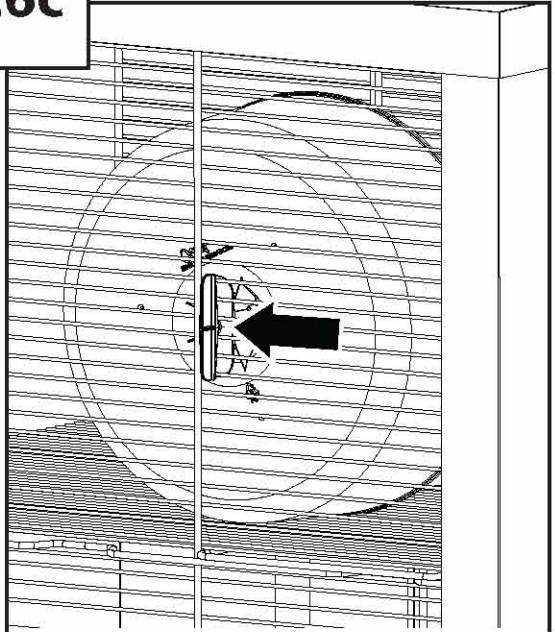
26a



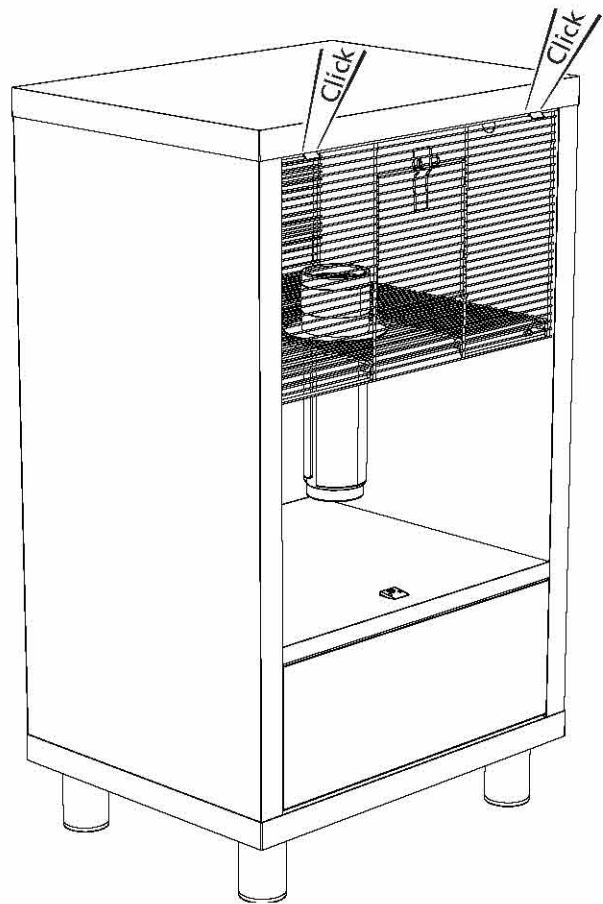
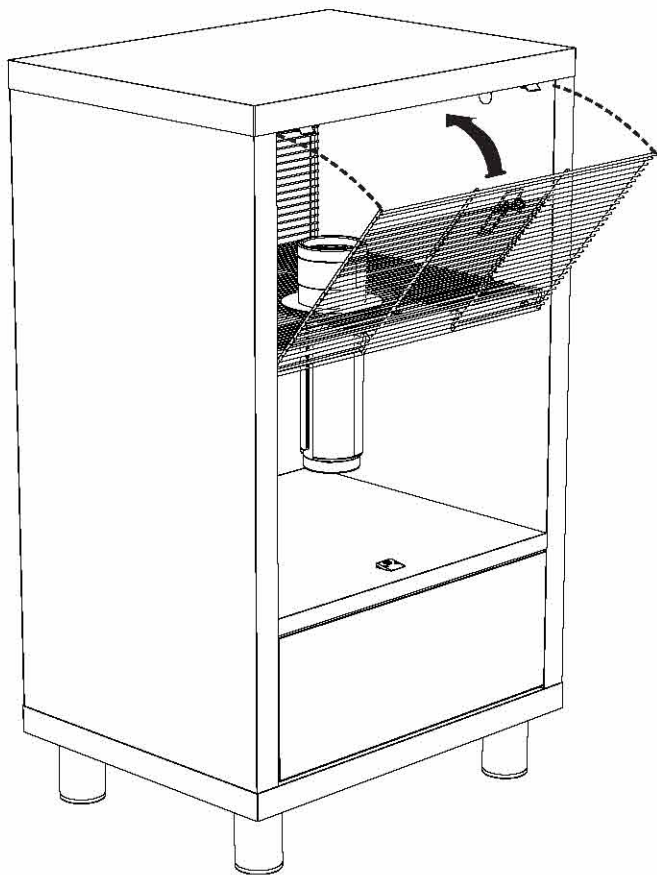
26b



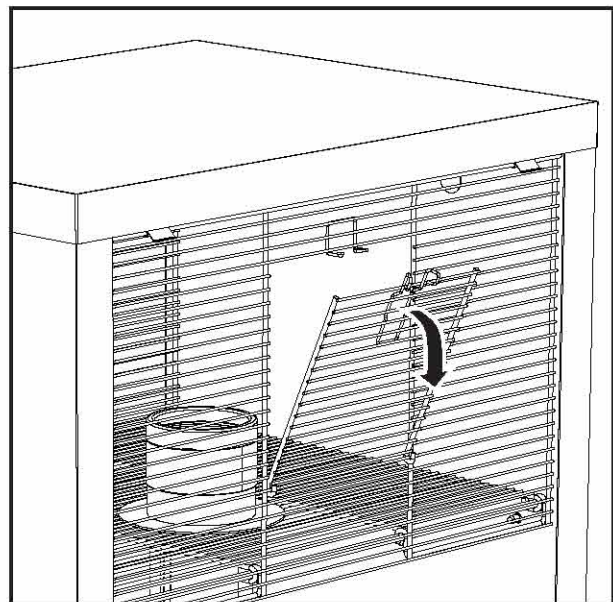
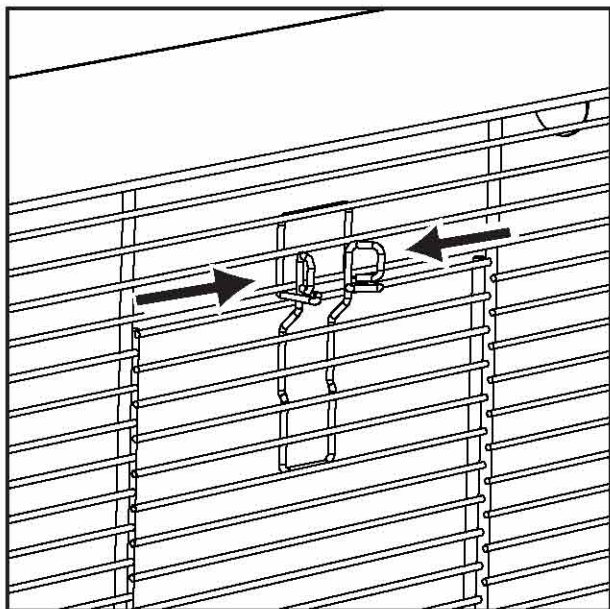
26c



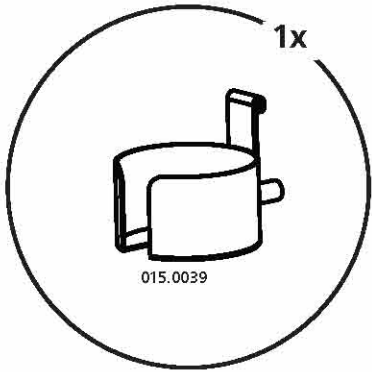
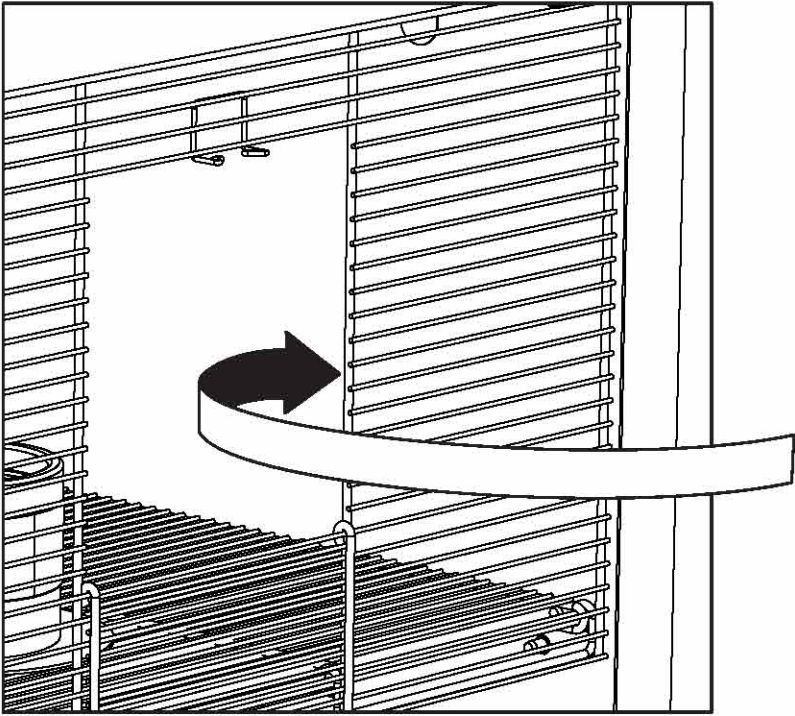
27



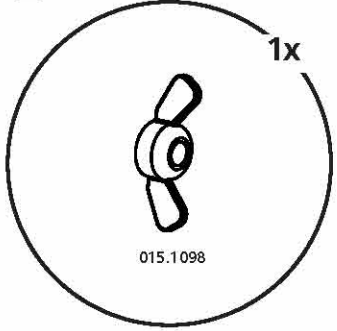
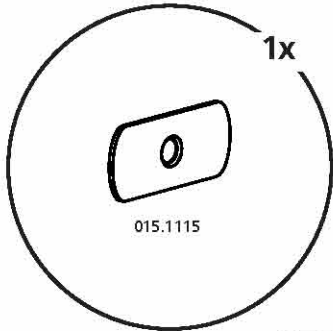
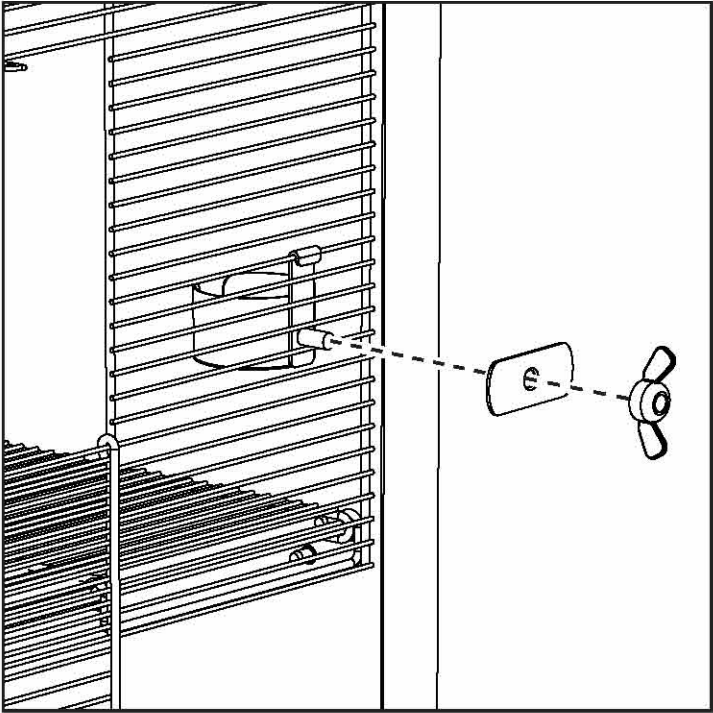
28

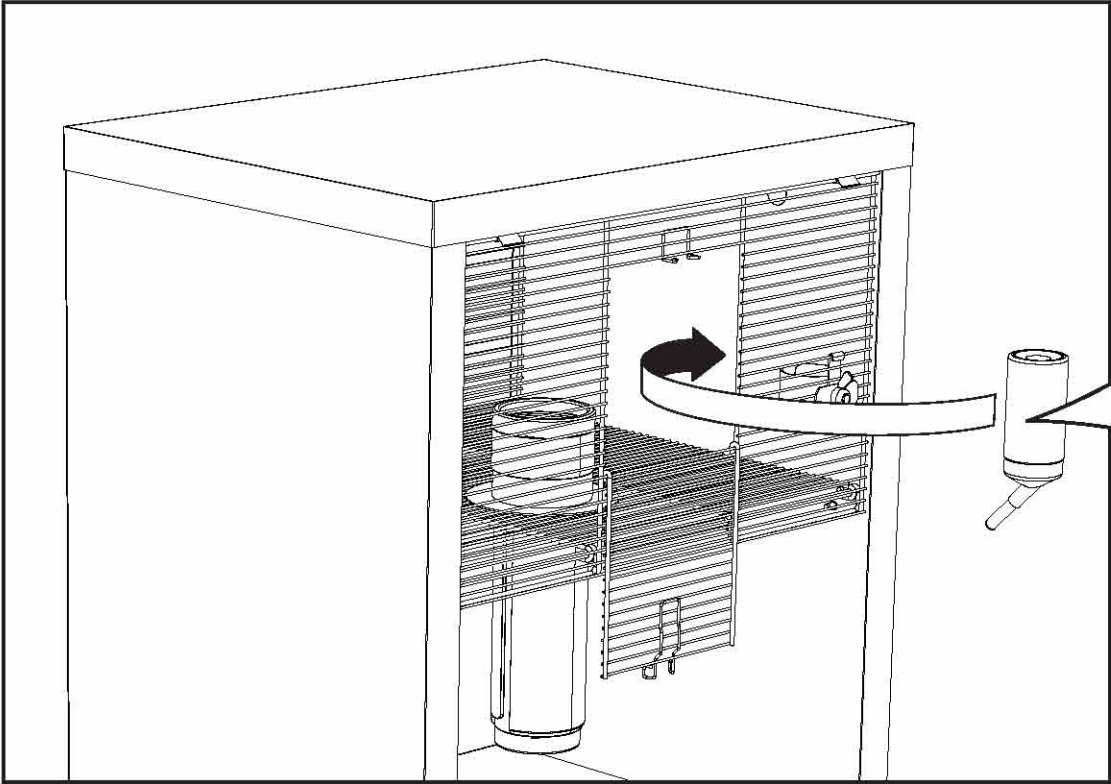


29a

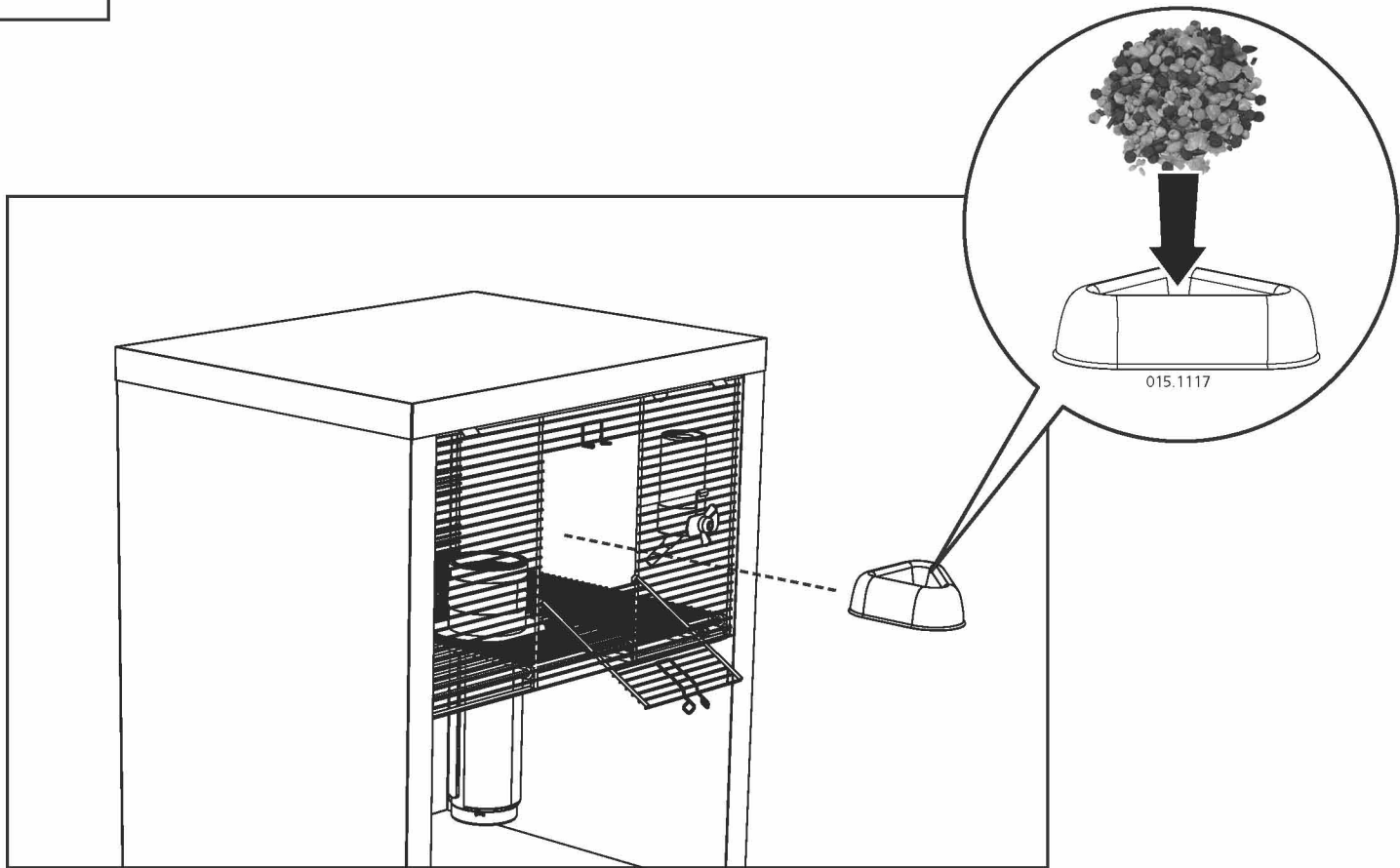


29b

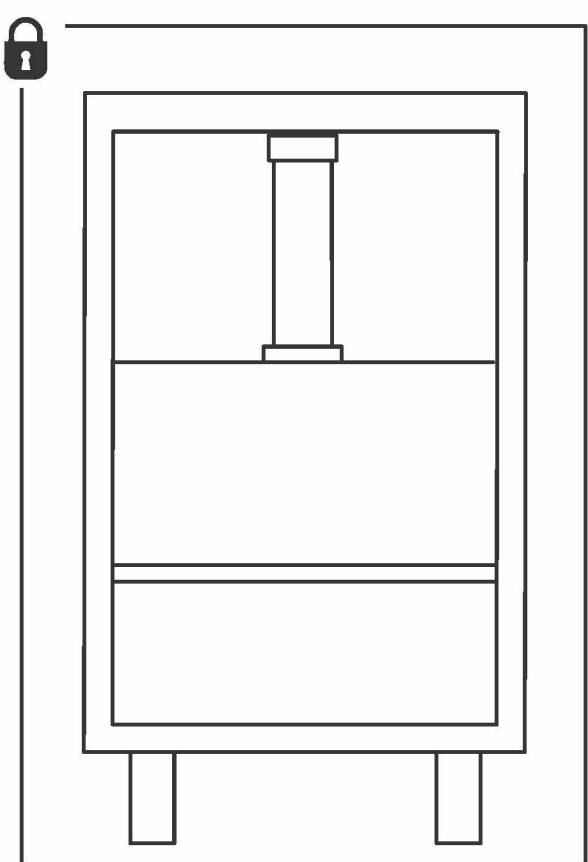
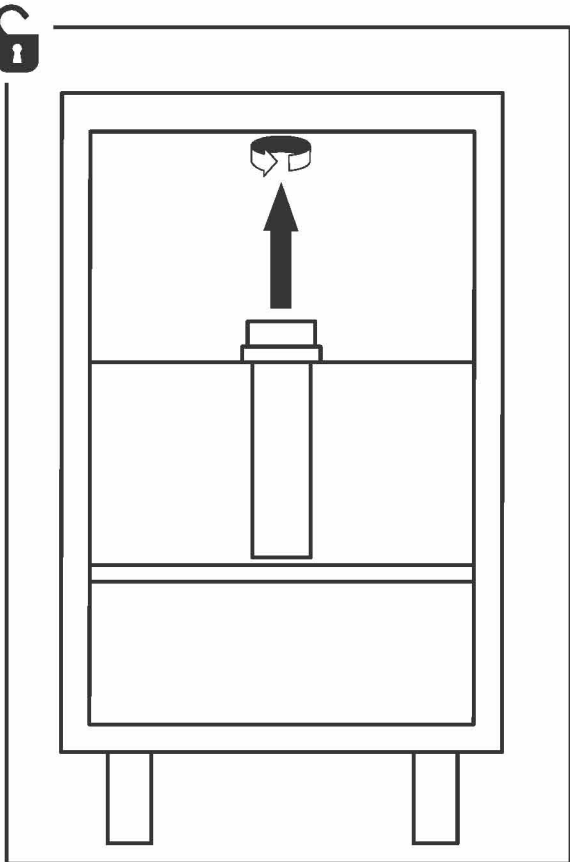


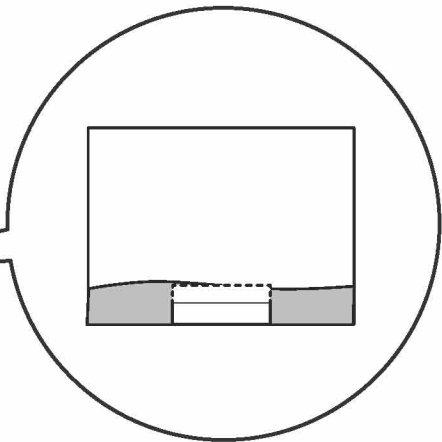
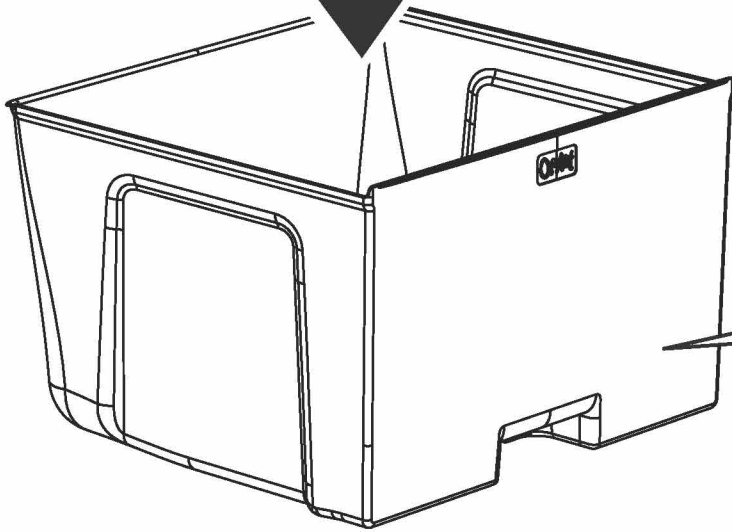


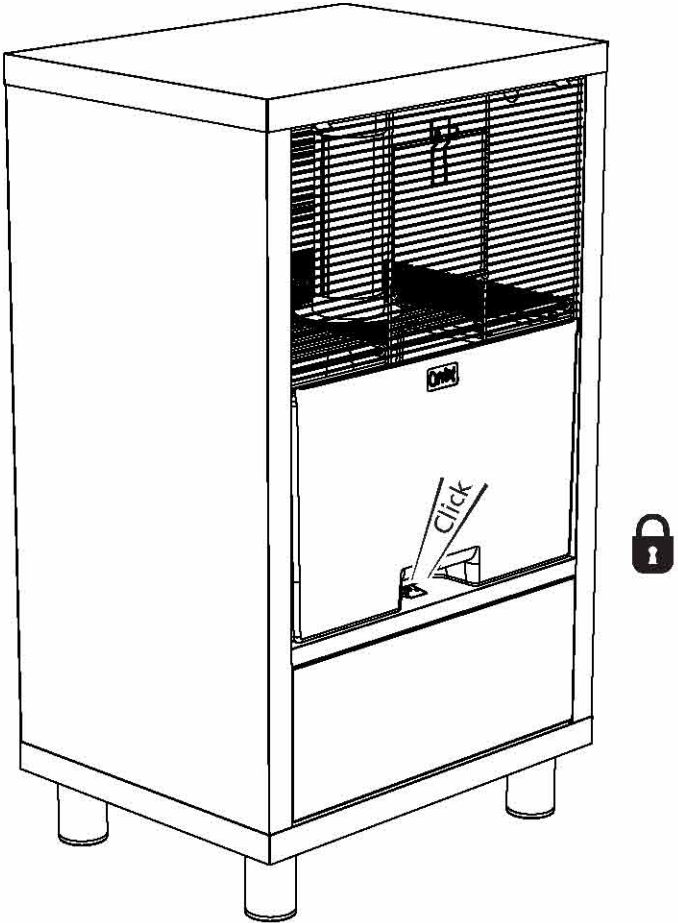
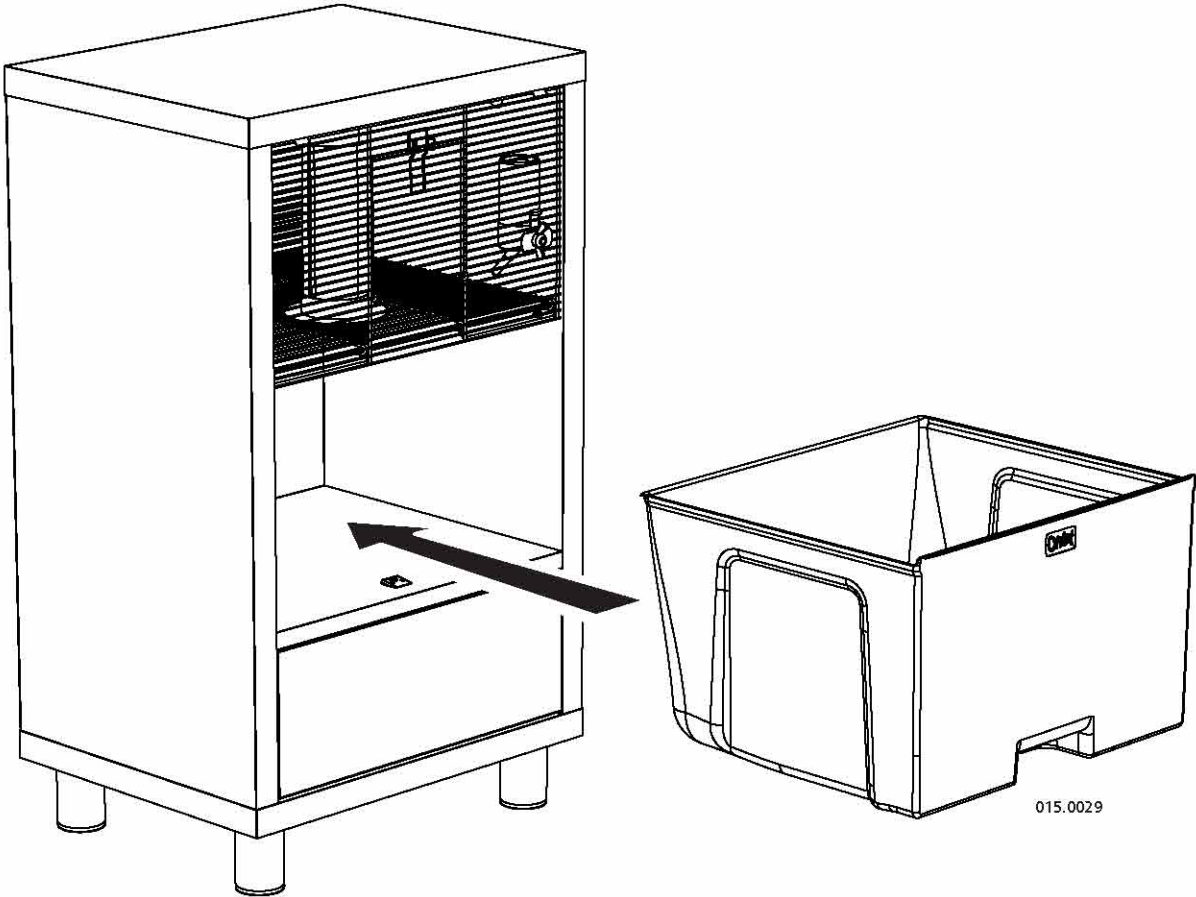
31



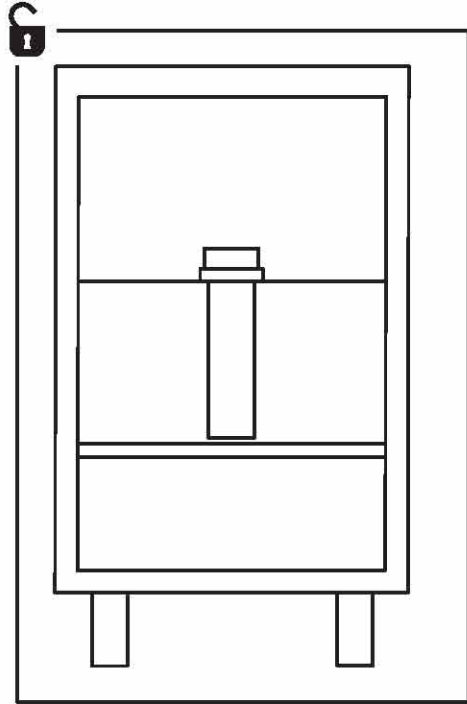
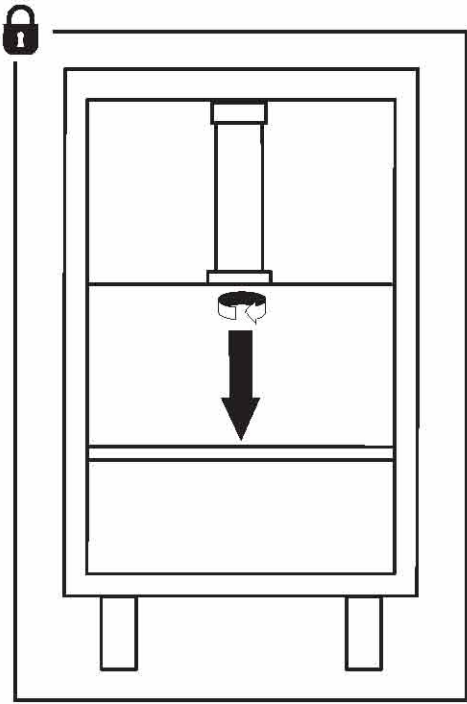
32



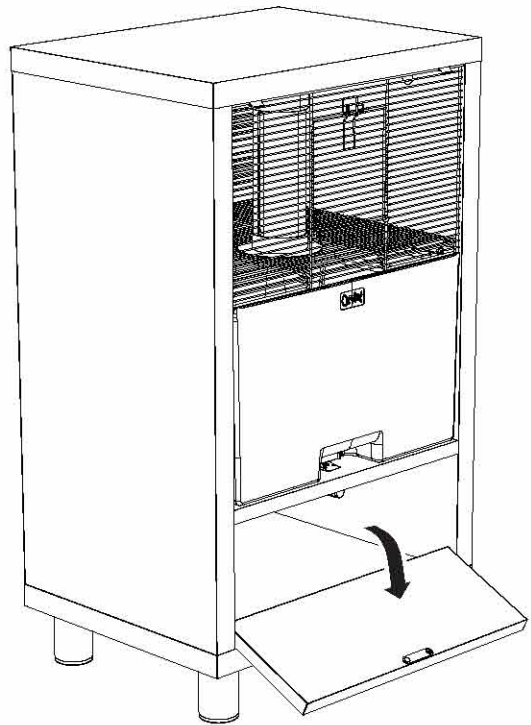
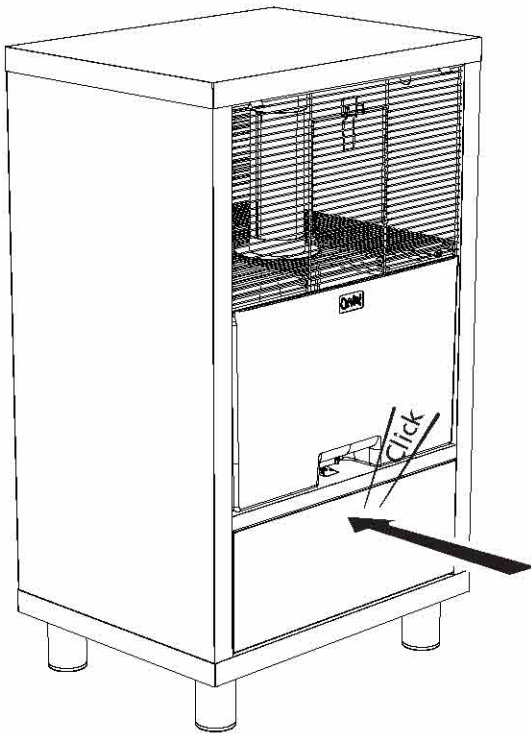




35



36



Omlet

The joy of pets

www.omlet.com

info@omlet.co.uk

0044 (0)1295 570 094



Small Mammal Care

PLEASE READ CAREFULLY



This is a general guide to help you get started. Please visit your local pet shop, a veterinarian, specialist guide books or www.omlet.com for more advice.

015.9450-_Gerbil / Hamster Care

Choosing your pet...

Choosing your pet is really fun but it's also important to take your time and to ask questions about the proper care and handling you will need to provide. This will help you make the right choice and ensure that you and your pet have a long and happy relationship.

These are the key signs of a healthy pet and just in case, the signs that may suggest the animal is not healthy.

Healthy	Unhealthy
Bright and Clean Eyes	Dirty or Watery Eyes
Clean Nose	Dirty or Runny Nose
Normal Teeth	Wet Tail
Shiny and Clean Fur	Dirty Bottom
Active	Bald Patches
Easy to Handle	Overly Thin or Fat
Healthy Size	Inactive

Good to know

Hamsters and dwarf hamsters can fight if more than one is kept per home, so always keep just one in your Qute. Do not pair male and females (unless you want to breed in which case some contact is essential).

Do you have everything you need?

The minimalism look hasn't caught on with hamsters and gerbils yet so to make your Qute a bit more comfortable you need to add some things.

Bedding

Your pet will want a nice deep layer of soft bedding in the bedding tray to burrow and play in. There are some different options but as a general rule wood and paper based bedding materials are best.

Bedding made from wood pulp, such as Carefresh®, is very good and comes in different colours which you can use to jazz up your Qute.

Wood shavings sold by pet stores make good bedding, but avoid any bedding which is dusty, for example sawdust, as the fine particles can irritate pets eyes.

Some pets, especially hamsters, like to take food and store it in their nest, this is completely natural behaviour. Just make sure that it doesn't go mouldy or stale.

Nesting Material

As well as bedding material, your pets will like something a bit softer to build their nest with. This is a cosy area in the house that they will sleep in. The best material is shredded paper - you can use kitchen roll.

Food

Feeding your pet is a great way to gain it's trust and build a long lasting bond together. Your pet store will stock the right food for your new pet. Eating the same thing all the time is a bit boring though so you can make your pet's meal times more interesting by giving small amounts of treats like sunflower seeds, millet, and crunchy vegetables like broccoli. Just remember never feed your pets sweets, chocolate or salty things like crisps.

Something to Gnaw on.

Most small mammals love a good stick to gnaw on. In fact it's essential you provide your pets with wood and cardboard toys to chew. This is because their teeth are always growing and instead of going to the dentist, they can use things like wood to grind their teeth down. You should always buy your sticks from a pet store as not all wood is suitable.

Water

Clean water every day is essential! No need to buy expensive mineral waters, just ordinary tap water.

Where to position your Qute

Put your Qute in a room that you are in a lot such as the kitchen, living room or bedroom. This will ensure that you get to see and enjoy your pets as much as possible.

Place the Qute away from direct sunlight, away from heaters, away from draughts and away from moisture (don't put your Qute in the bathroom even if you spend a lot of time there).

Introducing your pet to its new home

If your pet came in a transport box that will fit in the Qute, simply put it in and open the end. Let your new pet come out in it's own time. Otherwise carefully remove your pet from the transport box and place it in the upper level of the Qute.

It's important to let your new pet settle into its new home for 1 or 2 days before handling it again.

Handling your animal

Once your pet has settled in, frequent handling will make your pet tame and friendly. If your pet is in the bedding tray, slide it out and place your hand next to it. Let it come to you, try not to chase it around. If they are shy at first, try holding a grape or piece of celery which will prove hard to resist.



Once your pet is feeding from your hand, try gently scooping it up.



Your pet will look forward to play time with you.

When your pet is happy to take food from your hand, you can gently scoop it up. It's best not to pick up your animal from above or by grabbing its tail. When you have finished playing with your pet, put it back in the Qute and make sure the tube is in the down position. Always wash your hands after handling your pet. If you have other pets, especially cats, make sure they are not in the room whenever you take your pet out of the Qute.

Lift 'n' Twist Tube

Your Qute comes with patented Lift 'n' Twist technology! It's a brilliant way to separate the upstairs from the downstairs level. Simply lift and twist the tube, locking it in the up position. Do this when you want to remove the bedding tray for cleaning or when you want to use the bedding tray as a mobile play station.



Cleaning your Qute

You should clean your Qute at least once a week. It only takes a minute and will keep your pet happy and healthy. You can do this with your pet in the upper compartment.



1. Lift 'n' Twist the tube and stow your animals in the upper compartment.



2. Remove the bedding tray.



3. Empty the contents of the bedding tray into your composter or general waste bin. Note: do not put synthetic bedding into your composter.



4. Wash the tray with warm soapy water or wipe with a pet safe disinfectant. **Do not use abrasive cleaners, detergents, abrasive cloths or pads.**



5. Dry the tray with a cloth.



6. Add fresh bedding.



7. Replace the bedding tray.



8. **IMPORTANT** – Unlock and lower the tube.

Deep Cleaning your Qute

You can also perform a deep clean of all sections of the Qute that your pet comes into contact with. You can do this with your pet in the bedding tray. Here's how:

1. Follow the steps 1-8 outlined on the previous page.



2. Lift 'n' Twist the tube and stow your animals in the bedding tray.



3. Open front mesh by releasing the two clips in the top corners of the Qute.



4. Remove food bowl.



5. Remove wheel.



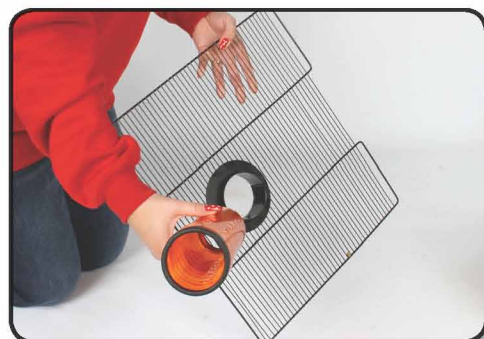
6. Remove mesh floor and tube together.



7. Wipe the sides, top and mesh surfaces of the Qute with a damp cloth, use a pet safe disinfectant if preferred.



8. **IMPORTANT!** Close the front mesh again to stop your animals escaping while you clean the floor and tube.



9. Remove the tube from the floor.

Deep Clean continued



10. Wash and dry the tube, feedbowl and wheel using a non abrasive soft cloth or sponge.



11. Wash and dry the mesh floor panel using a non abrasive soft cloth or sponge.



12. Re-assemble the tube and put the tube back in the floor panel.



13. Replace the floor panel.



14. Replace the wheel and food bowl.



15. Close the front mesh.

Notes:



1 Year Limited Warranty

This genuine Omlet product is guaranteed to be free of defects in material or workmanship. If you discover a problem with this product please contact us by any of the methods below. We will do our best to quickly resolve the problem - we want you to be happy!

If you have a problem or question about your product, call or email Omlet first before contacting the store where you bought it. Please keep your receipt as we may need to see proof of purchase.

For customers in Europe
Call +44 (0)1295 750 094
Email info@omlet.co.uk

For customers in the USA
Call +1 866-653-8872
Email info@omlet.com

Register your product now and receive an extra 3 months warranty for free

It's really easy to register just go online, select the product you purchased, fill in your name and email and we'll automatically extend your warranty for another 3 months.

For customers in Europe
Go to www.omlet.co.uk/warranty

For customers in the USA
Go to www.omlet.us/warranty